

US00D564012S

(12) **United States Design Patent**
Montineri

(10) **Patent No.:** **US D564,012 S**

(45) **Date of Patent:** **** Mar. 11, 2008**

(54) **SNARE DRUM THROW OFF**

(76) Inventor: **Joseph P. Montineri**, 2 Meadow Ct.,
Simsbury, CT (US) 06070

(**) Term: **14 Years**

(21) Appl. No.: **29/241,076**

(22) Filed: **Oct. 20, 2005**

(51) **LOC (8) Cl.** **17-04**

(52) **U.S. Cl.** **D17/22**

(58) **Field of Classification Search** D17/22,
D17/99; 84/411 R, 415, 416, 417
See application file for complete search history.

(56) **References Cited**

U.S. PATENT DOCUMENTS

D228,023	S	*	7/1973	Grauso	D17/22
D316,423	S	*	4/1991	Montineri	D17/22
6,846,978	B2	*	1/2005	Dorfman et al.	84/415
2002/0083817	A1	*	7/2002	Hoshino	84/415
2005/0223875	A1	*	10/2005	Hagiwara et al.	84/415
2006/0219084	A1	*	10/2006	Dunnett	84/415

* cited by examiner

Primary Examiner—Ian Simmons

Assistant Examiner—R. Johnson

(74) *Attorney, Agent, or Firm*—McCormick, Paulding &
Huber LLP

(57) **CLAIM**

I claim the ornamental design for a snare drum throw off, as
shown and described.

DESCRIPTION

FIG. 1 is a top plan view of a snare drum throw off showing
my new design.

FIG. 2 is a bottom plan view thereof.

FIG. 3 is a front elevational view thereof.

FIG. 4 is a front elevational view thereof, but with the snare
drum throw off disclosed in an alternative position to that
shown in FIG. 3.

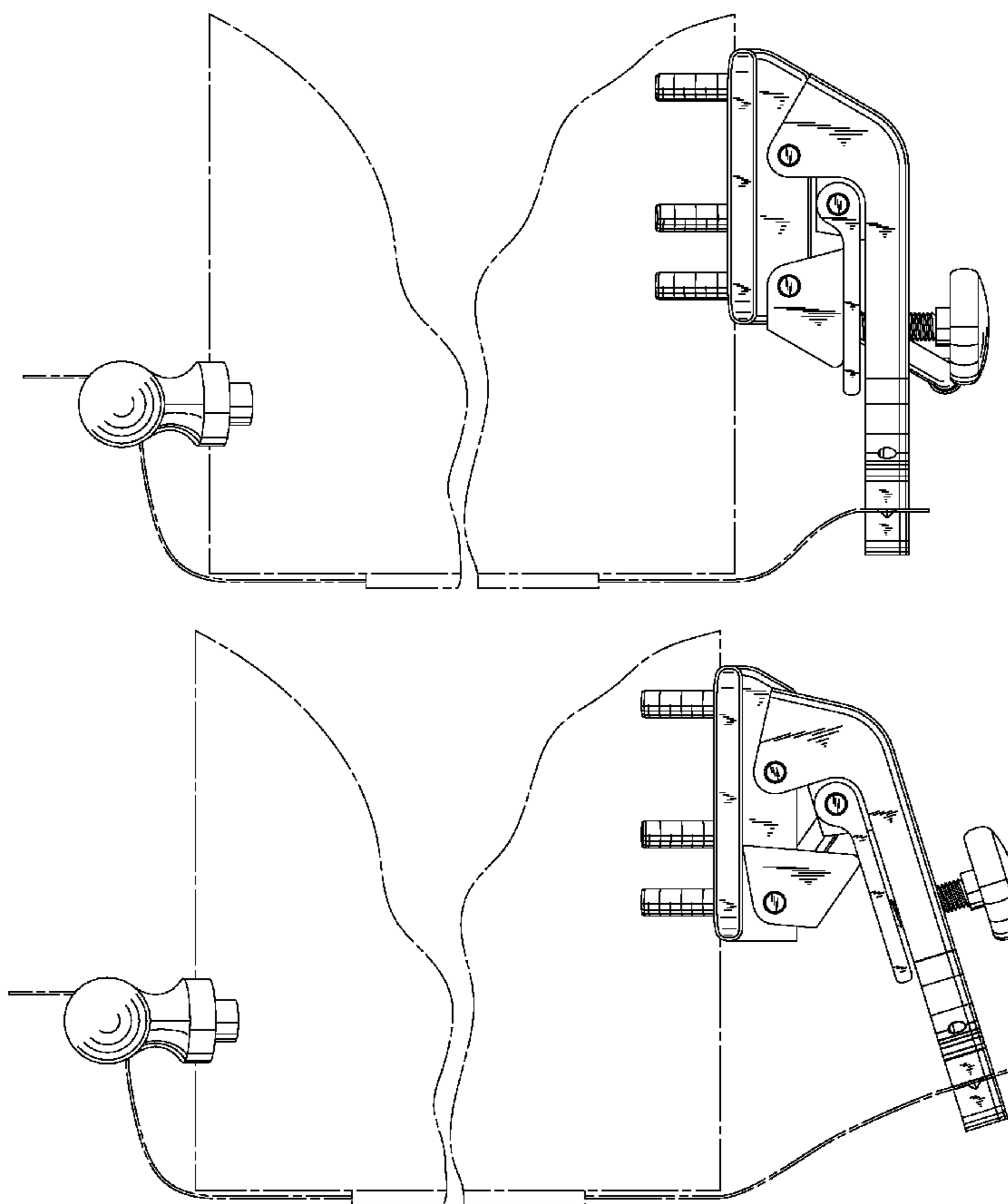
FIG. 5 is a rear elevational view thereof.

FIG. 6 is a left side elevational view thereof; and,

FIG. 7 is a right side elevational view thereof.

The phantom lines illustrate fragmentary portions of a snare
drum with which the throw off is used and forms no part of
the claimed design.

1 Claim, 4 Drawing Sheets



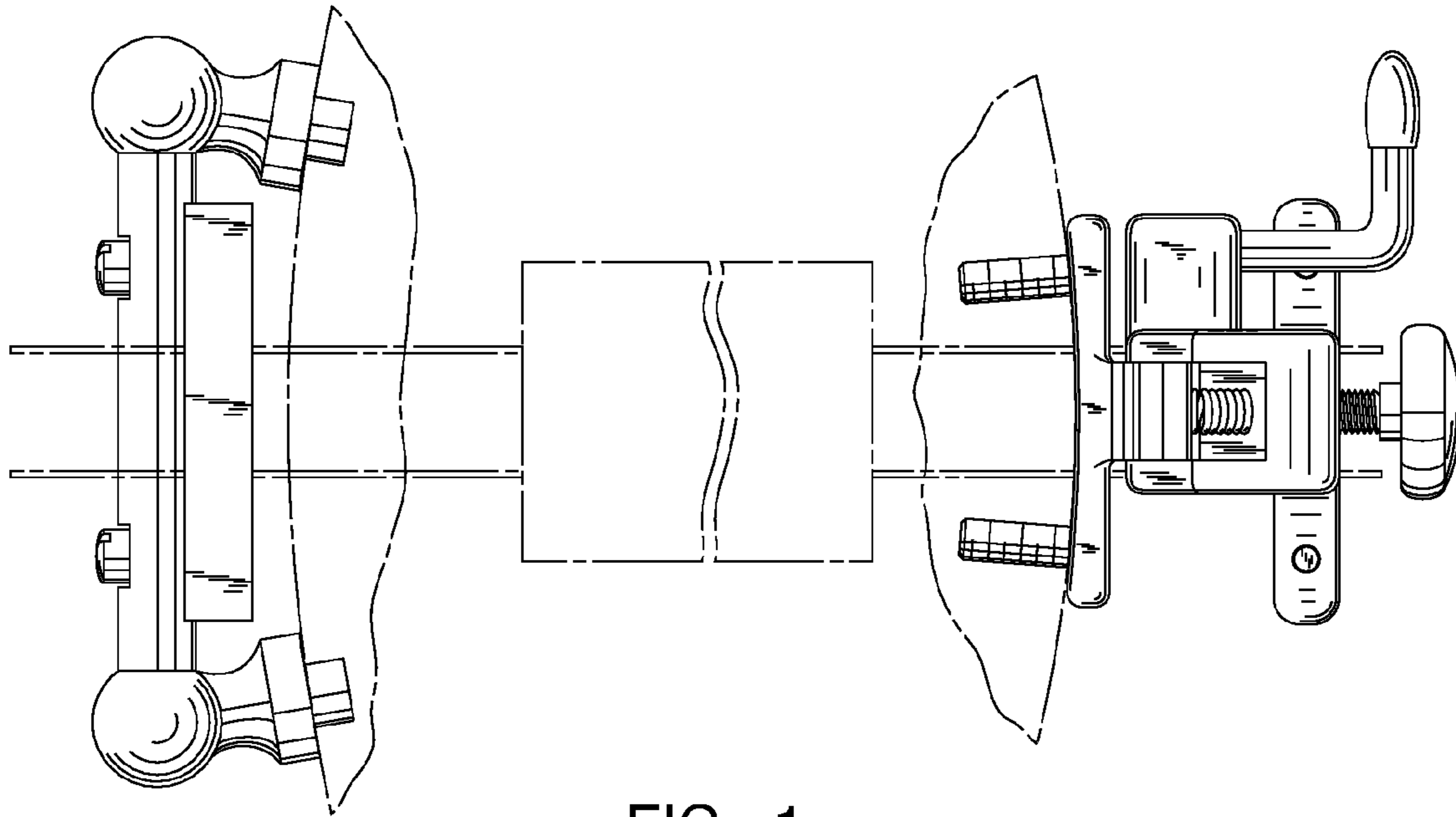


FIG. 1

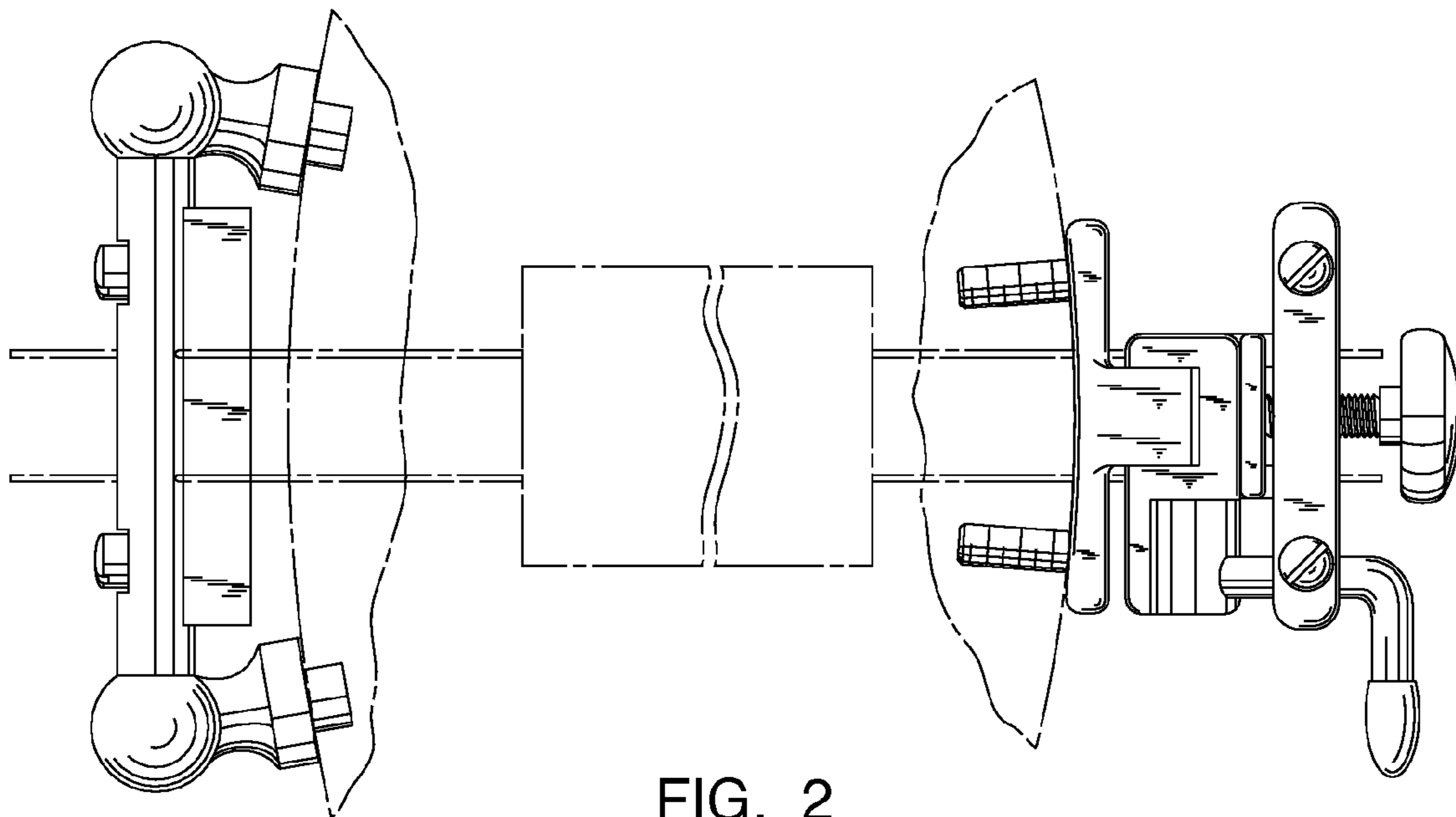


FIG. 2

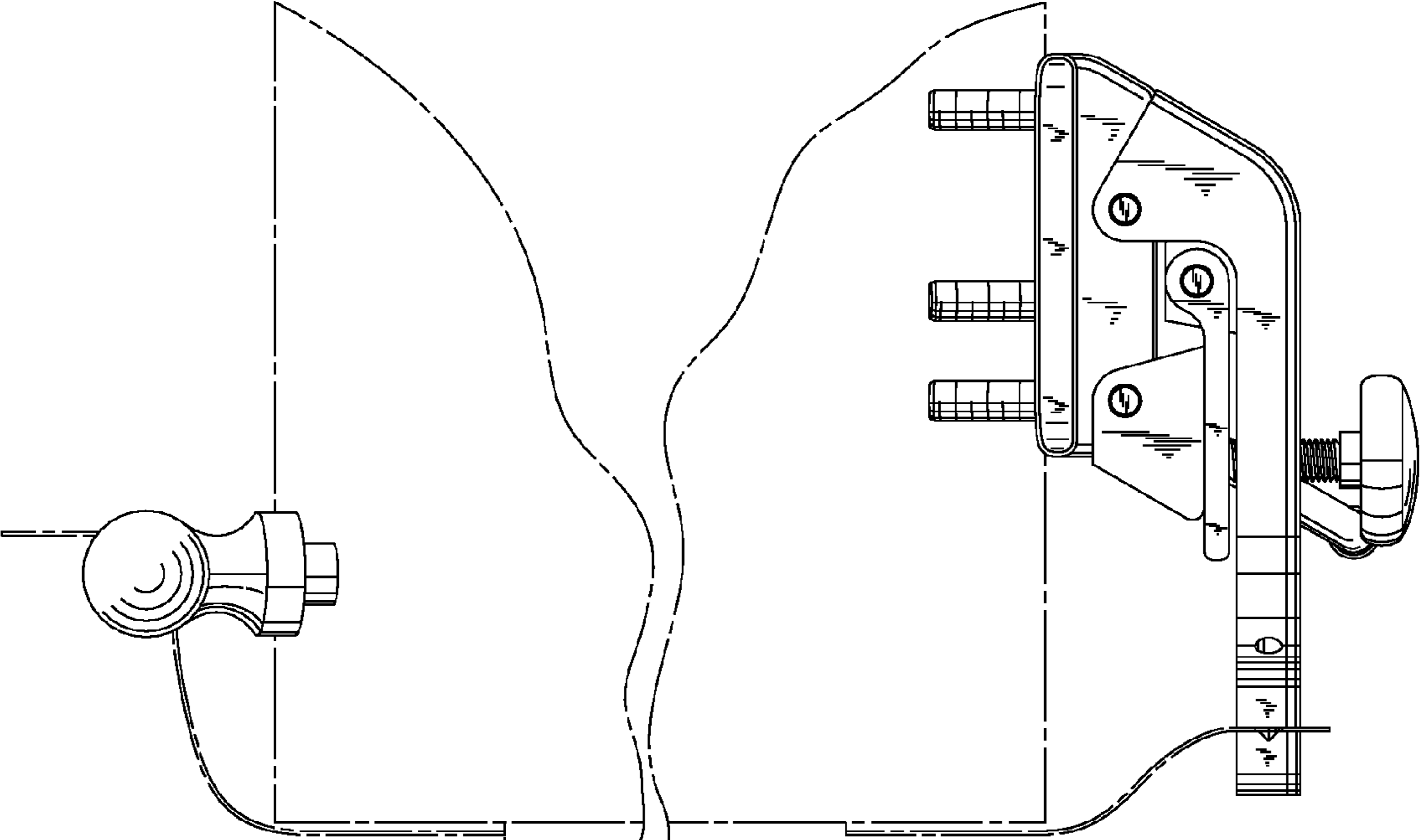


FIG. 3

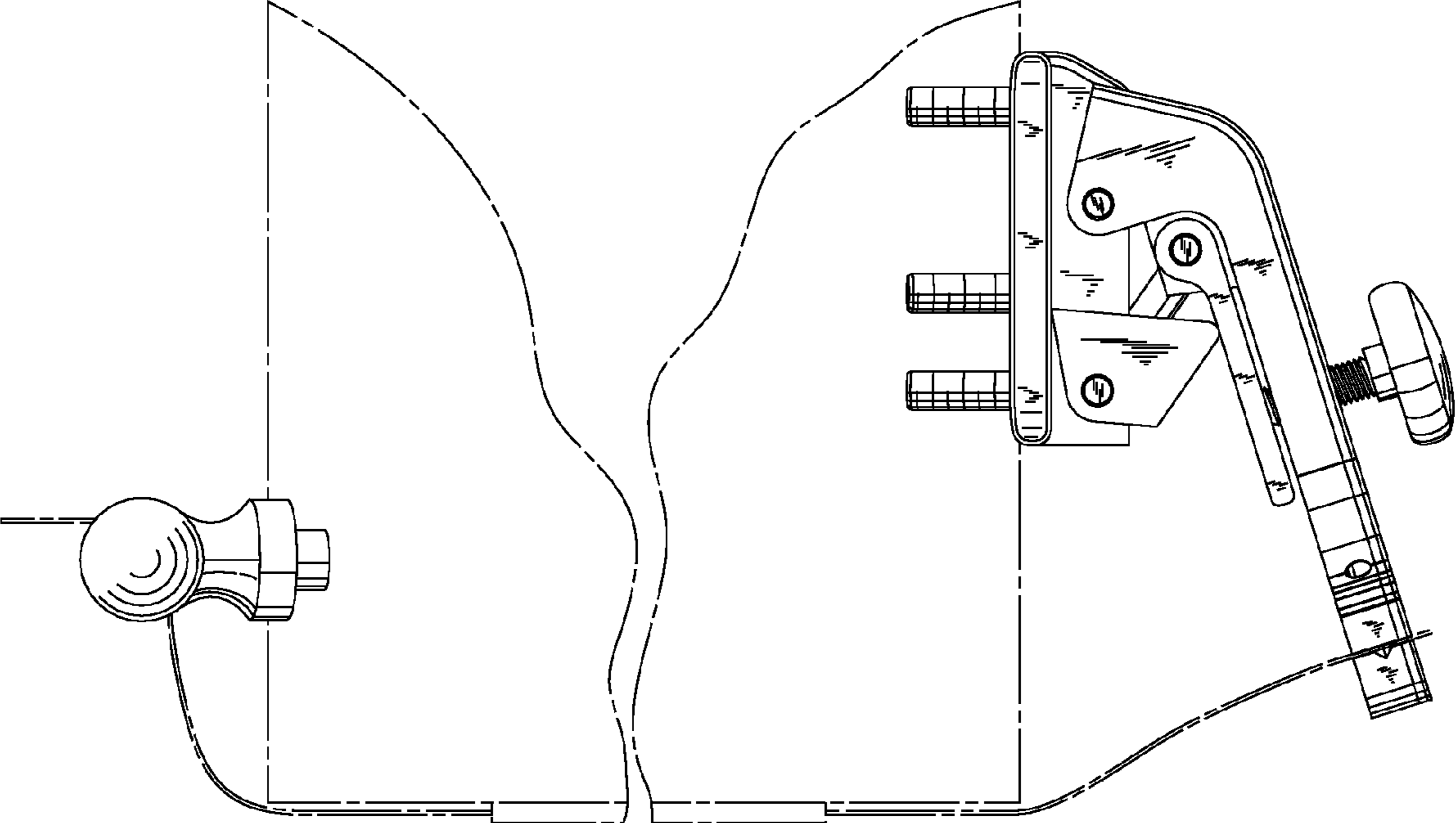


FIG. 4

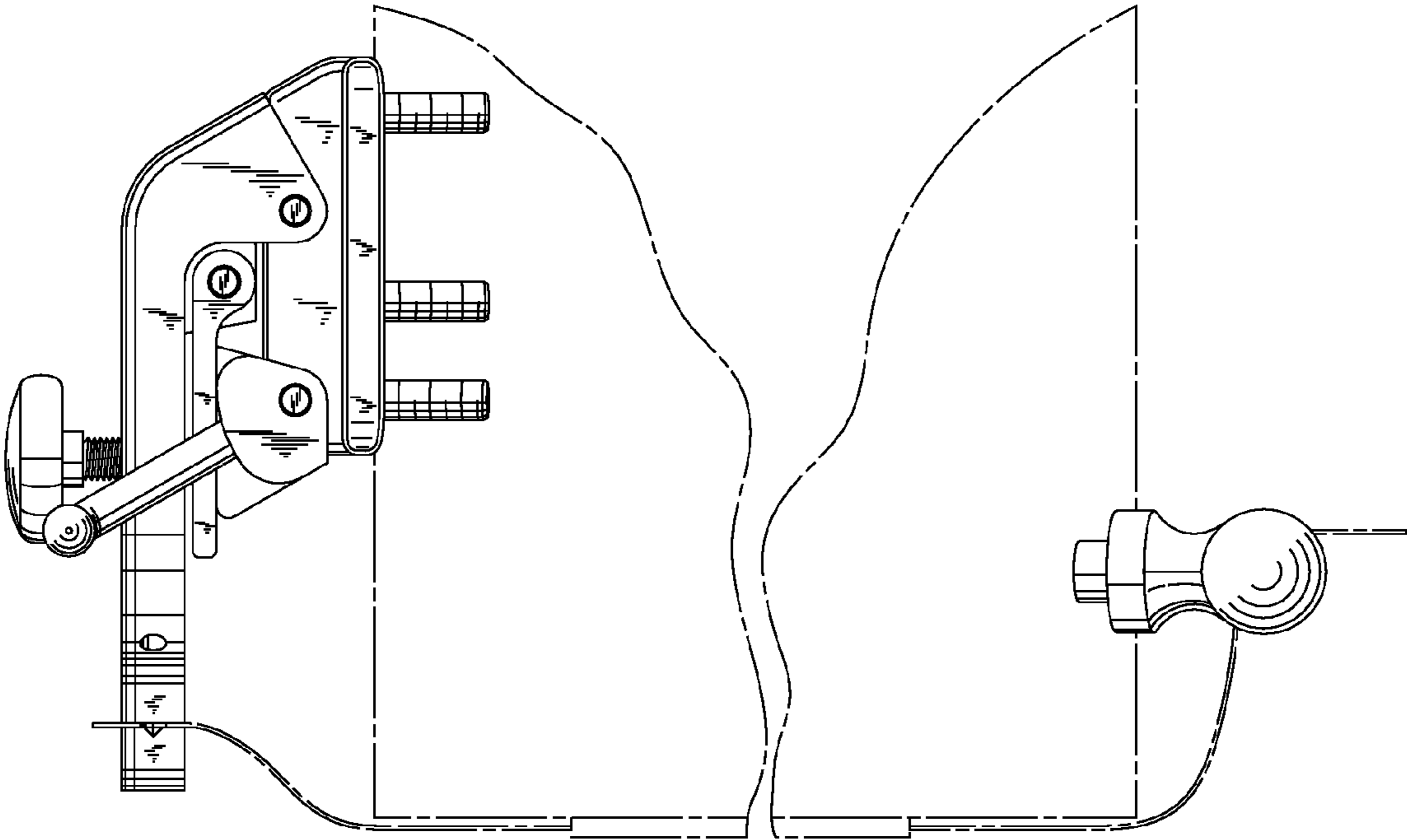


FIG. 5

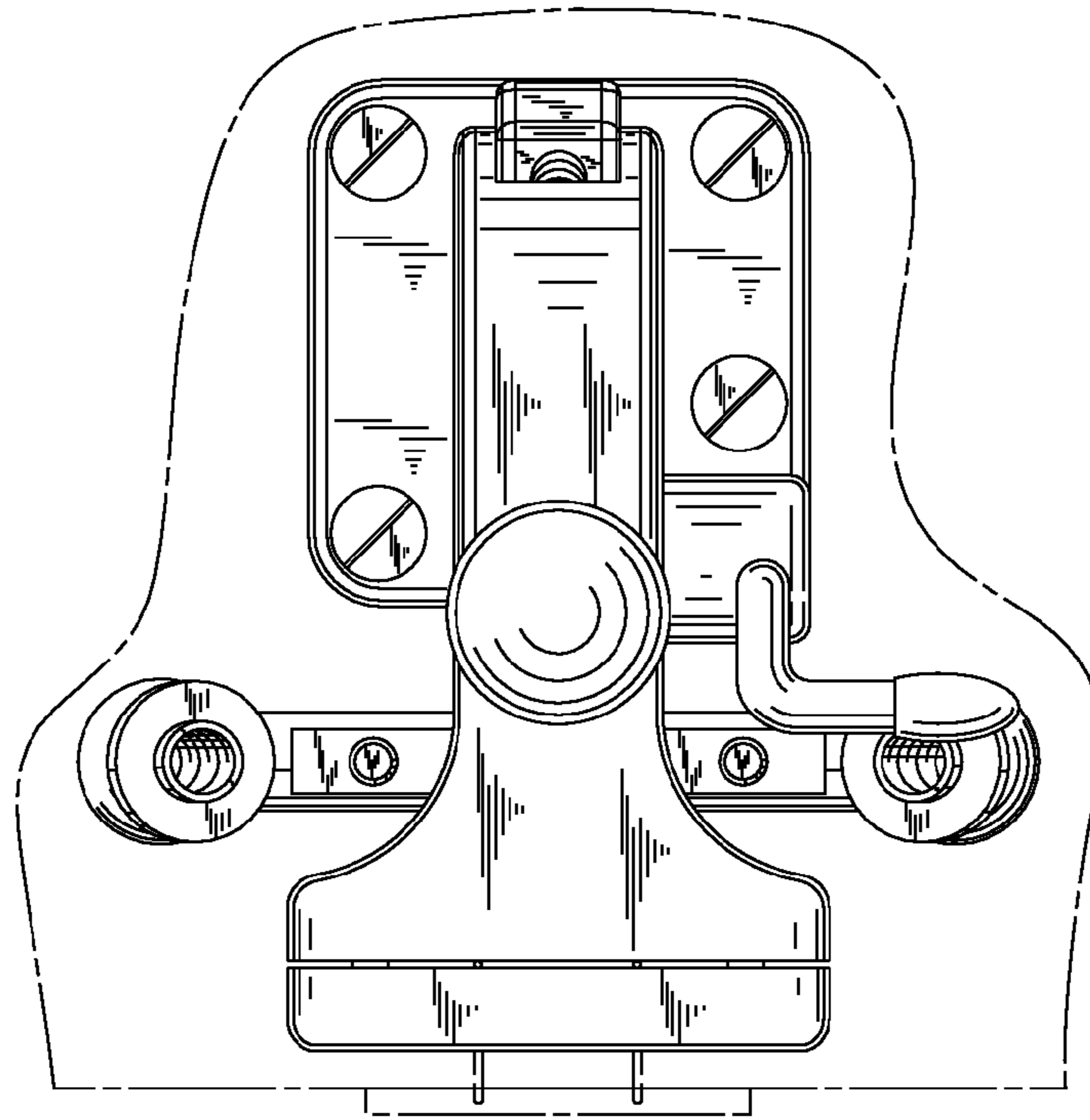


FIG. 6

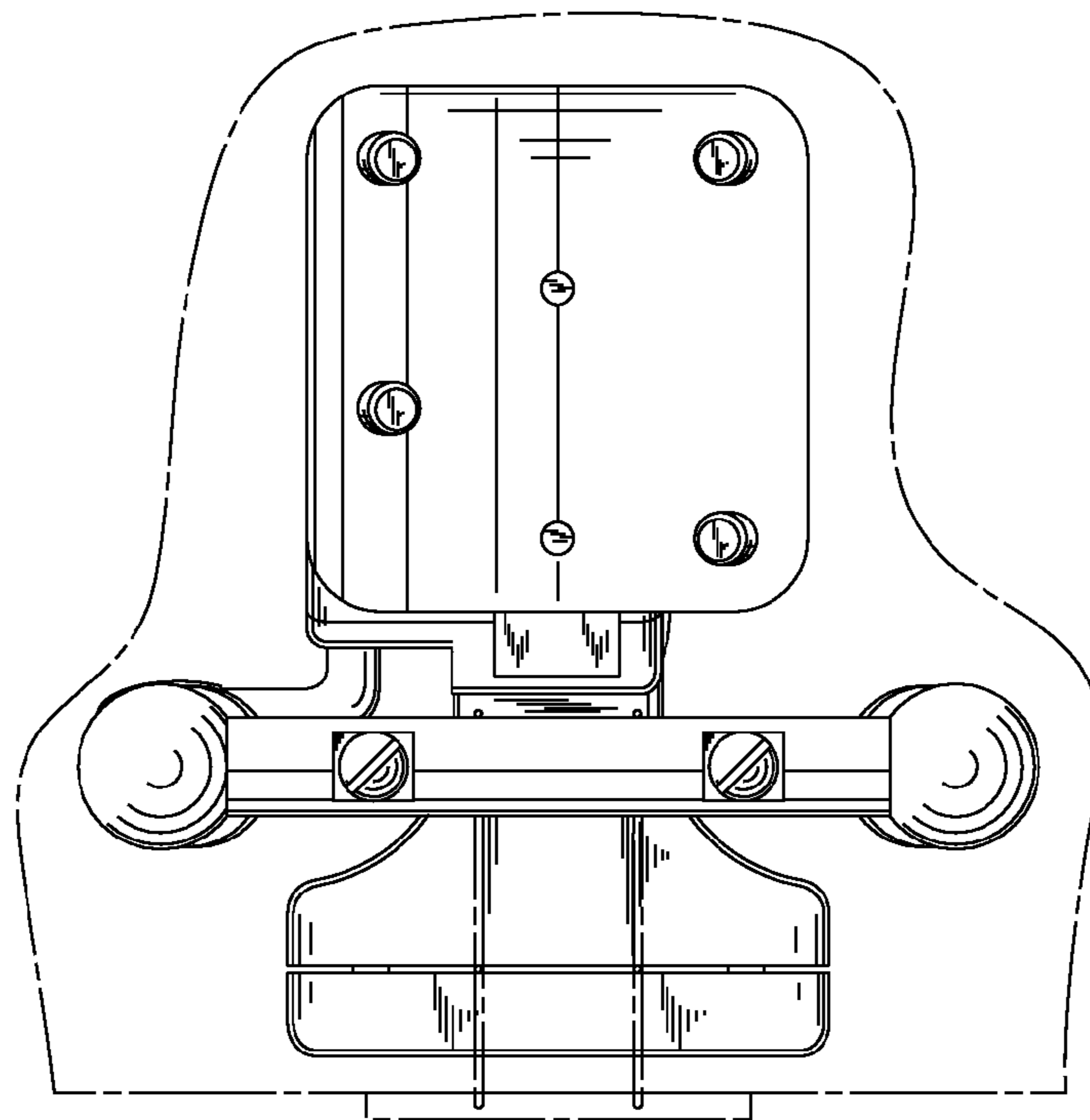


FIG. 7