



US00D564011S

(12) **United States Design Patent**
Beate et al.

(10) **Patent No.:** **US D564,011 S**
(45) **Date of Patent:** **** Mar. 11, 2008**

(54) **MAGNIFIER SPECTACLES**

(75) Inventors: **Bastian Beate**, München (DE); **Guido Hattendorf**, Aalen (DE); **Katrin Peters**, Vienna (AT)

(73) Assignee: **Carl Zeiss Surgical GmbH**, Oberkochen (DE)

(**) Term: **14 Years**

(21) Appl. No.: **29/274,178**

(22) Filed: **Apr. 3, 2007**

(30) **Foreign Application Priority Data**

Oct. 10, 2006 (EM) 000603279

(51) **LOC (8) Cl.** **16-06**

(52) **U.S. Cl.** **D16/309**

(58) **Field of Classification Search** D16/107,
D16/130, 132, 133, 309; 2/10, 15; 350/145,
350/146; 351/155; 356/46; 359/407, 408,
359/410, 411, 413, 414, 417, 418, 421, 422,
359/480

See application file for complete search history.

(56) **References Cited**

U.S. PATENT DOCUMENTS

- 2,280,354 A * 4/1942 Rezos 359/408
- 2,598,145 A * 5/1952 Steadman, Jr. 359/410
- 3,572,931 A * 3/1971 Adler 356/46
- D296,337 S * 6/1988 Caplan D16/133
- D333,828 S * 3/1993 Baldassarre D16/133
- 5,412,812 A * 5/1995 Gatchalian 2/10
- 5,727,251 A * 3/1998 Sherlock et al. 2/15
- 5,987,640 A * 11/1999 Ryder 2/10

6,817,711 B2 * 11/2004 Schubert 351/155

* cited by examiner

Primary Examiner—T. Chase Nelson

Assistant Examiner—Barbara B Lohr

(74) *Attorney, Agent, or Firm*—Walter Ottesen

(57) **CLAIM**

The ornamental design for magnifier spectacles, as shown and described.

DESCRIPTION

FIG. 1 is a perspective front view of magnifier spectacles of our new design;

FIG. 2 is a top plan view of said magnifier spectacles of FIG. 1;

FIG. 3 is a bottom plan view of said magnifier spectacles of FIG. 1;

FIG. 4 is a right side elevational view of said magnifier spectacles of FIG. 1;

FIG. 5 is a left side elevational view of said magnifier spectacles of FIG. 1;

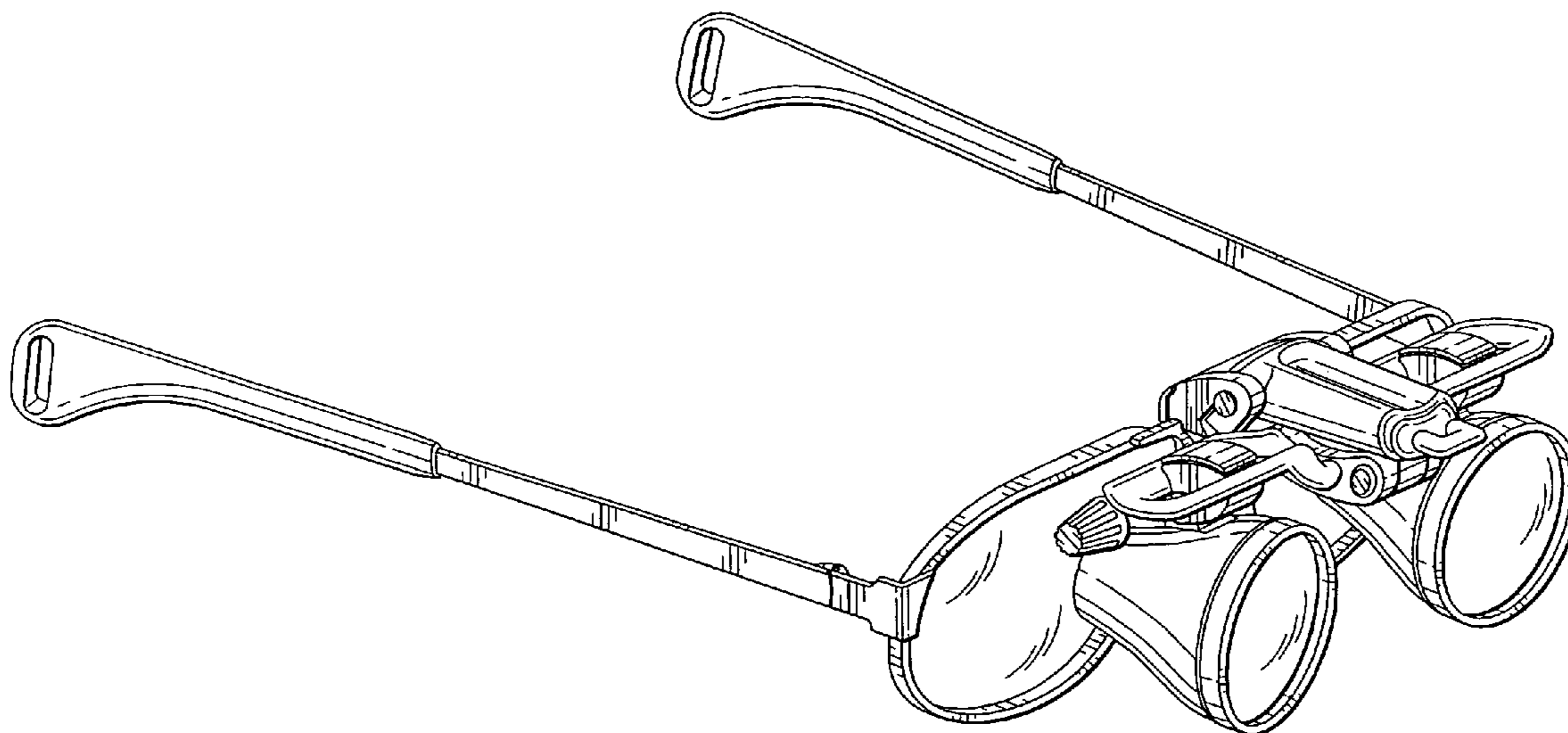
FIG. 6 is a front elevational view of said magnifier spectacles of FIG. 1;

FIG. 7 is a rear elevational view of said magnifier spectacles of FIG. 1;

FIG. 8 is a right side elevational view of the magnifier spectacles of FIG. 1 showing the magnifier displaced to a first position from the spectacles; and,

FIG. 9 is a right side elevational view of the magnifier spectacles of FIG. 1 showing the magnifier displaced from the spectacles to a second position.

1 Claim, 8 Drawing Sheets



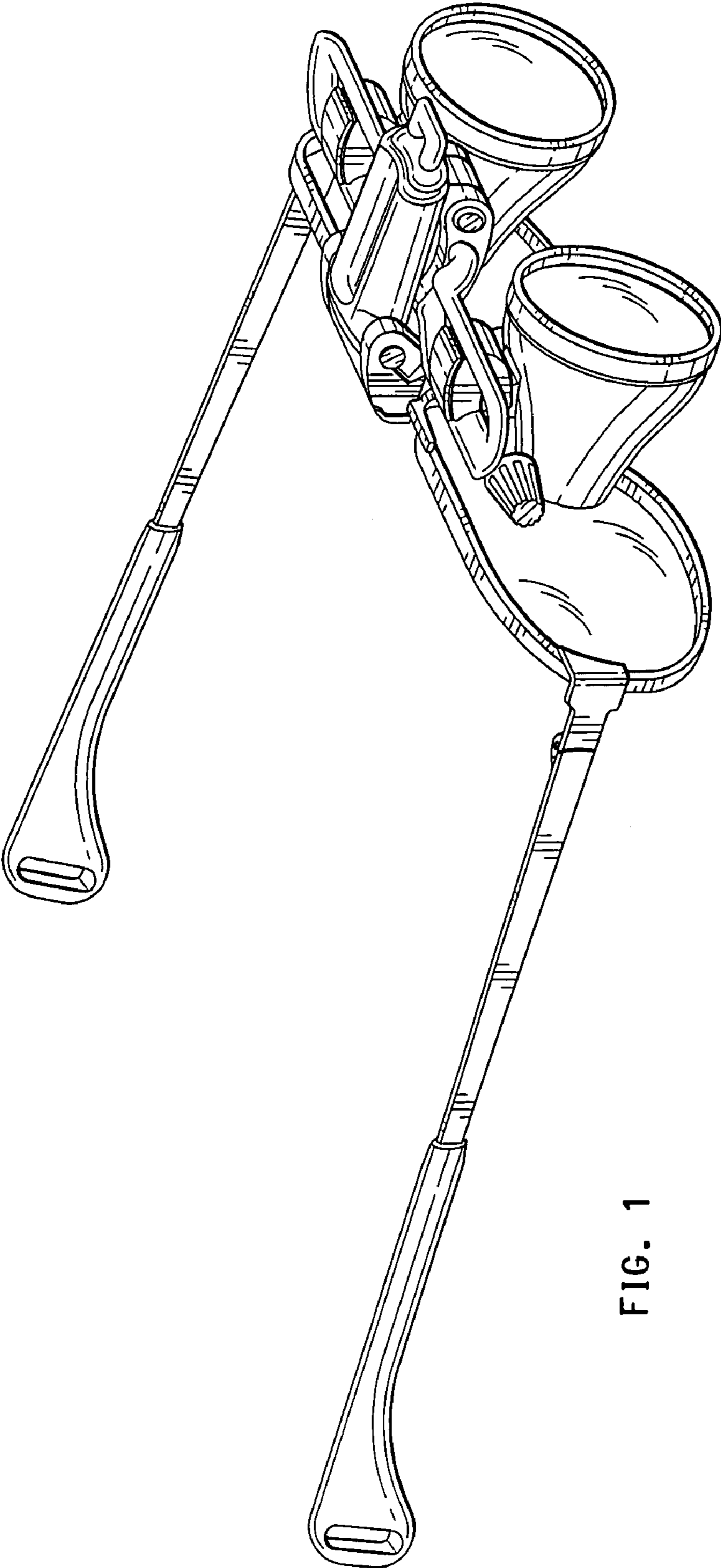


FIG. 1

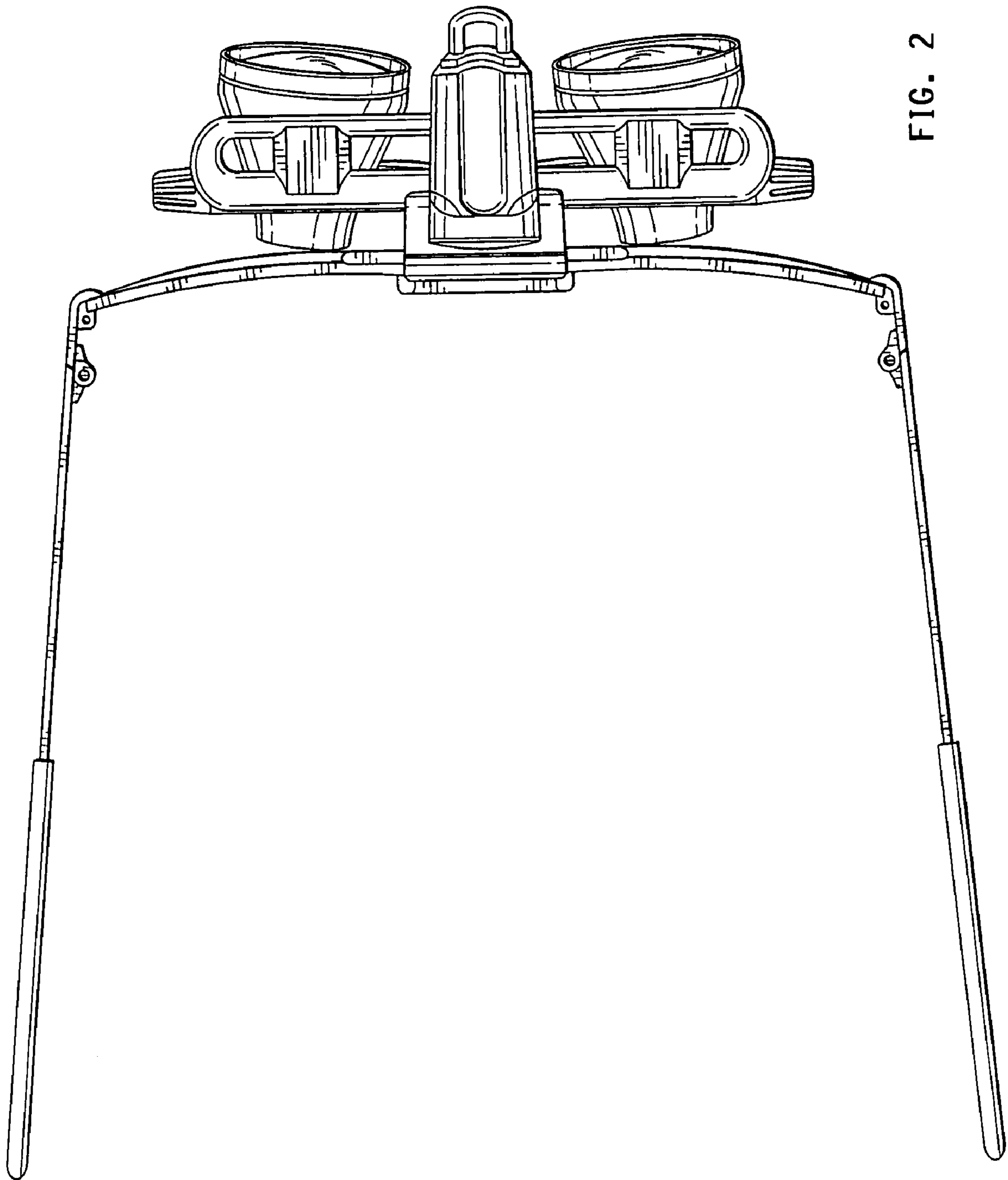


FIG. 2

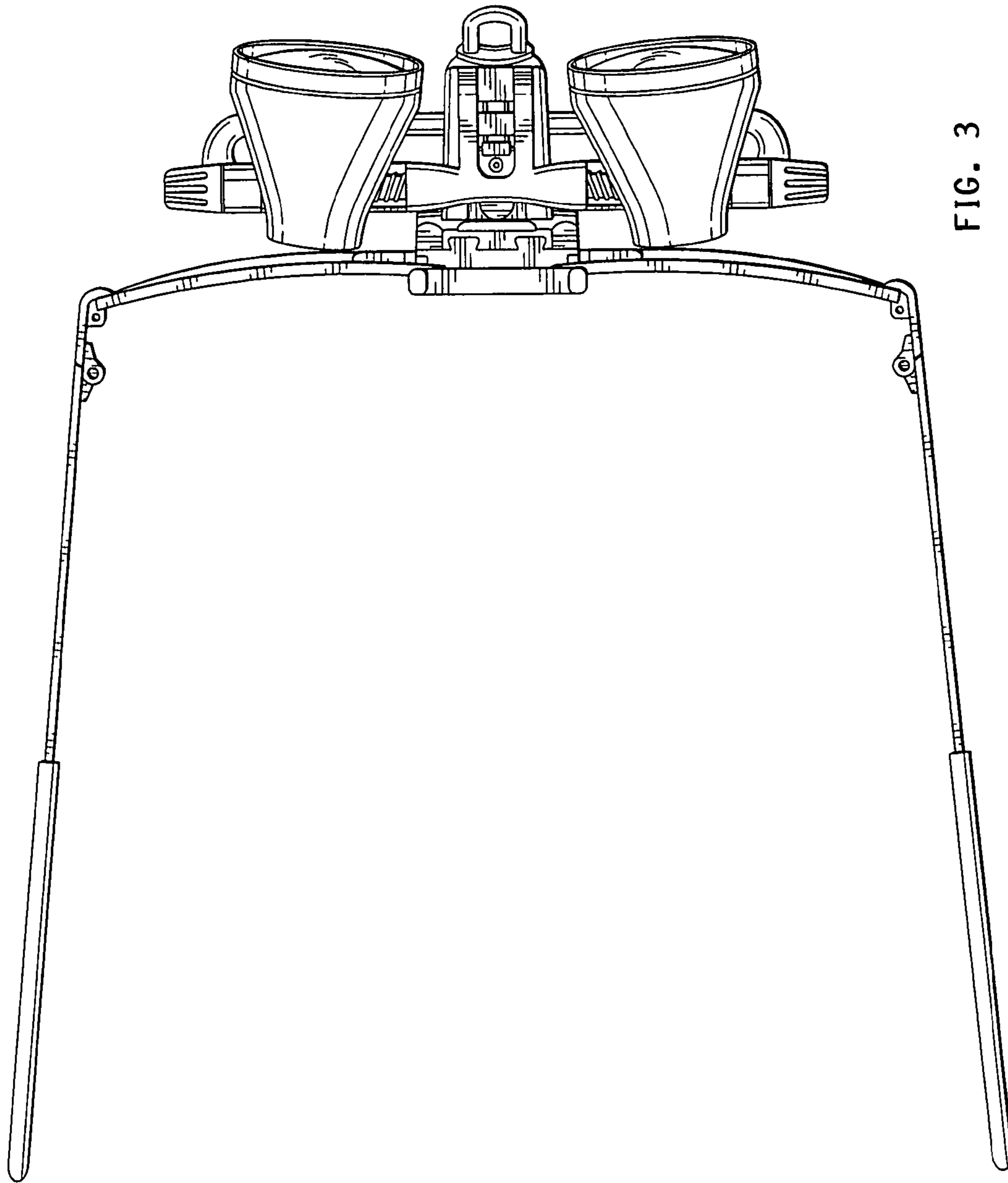


FIG. 3

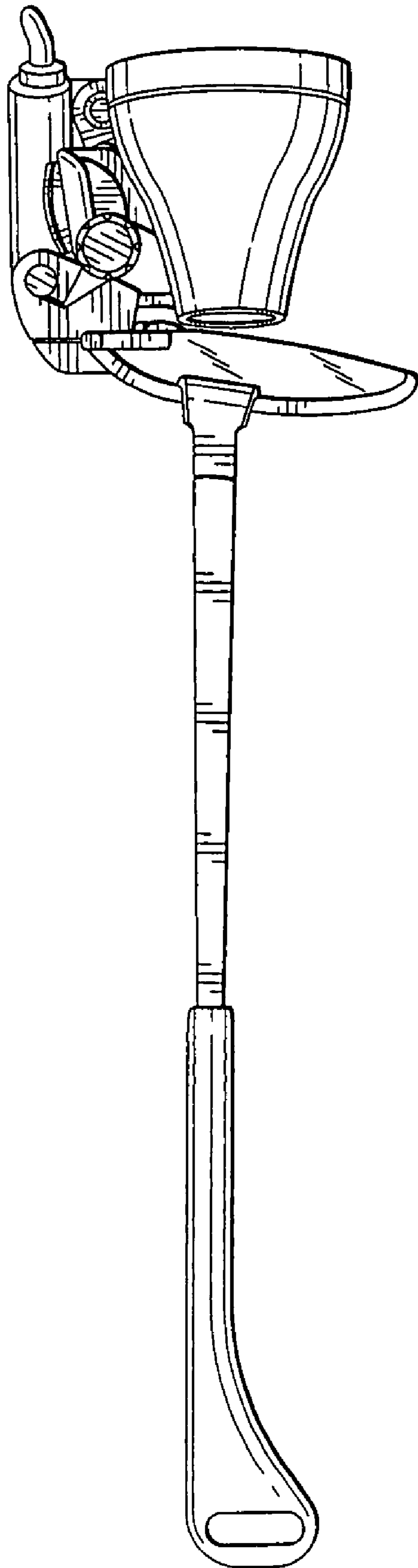


FIG. 4

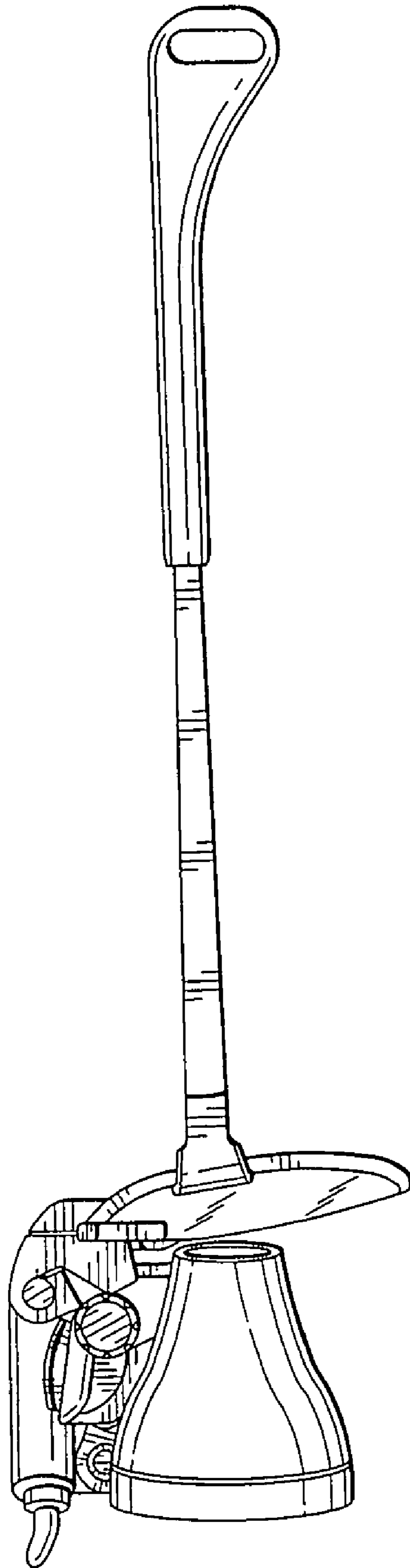


FIG. 5

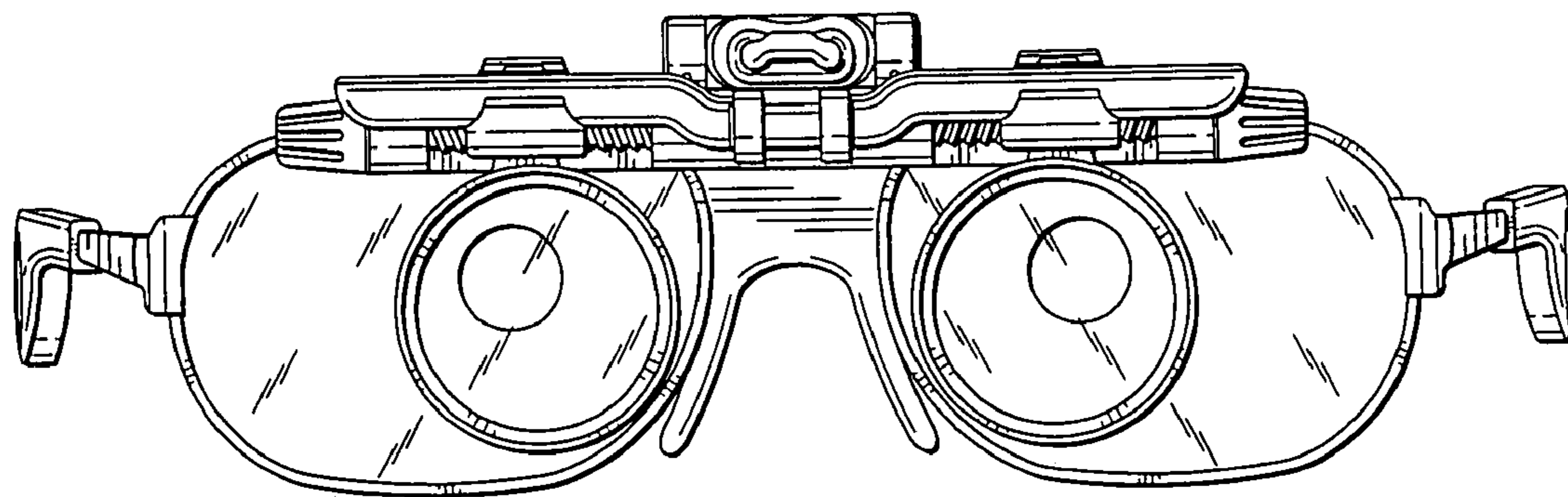


FIG. 6

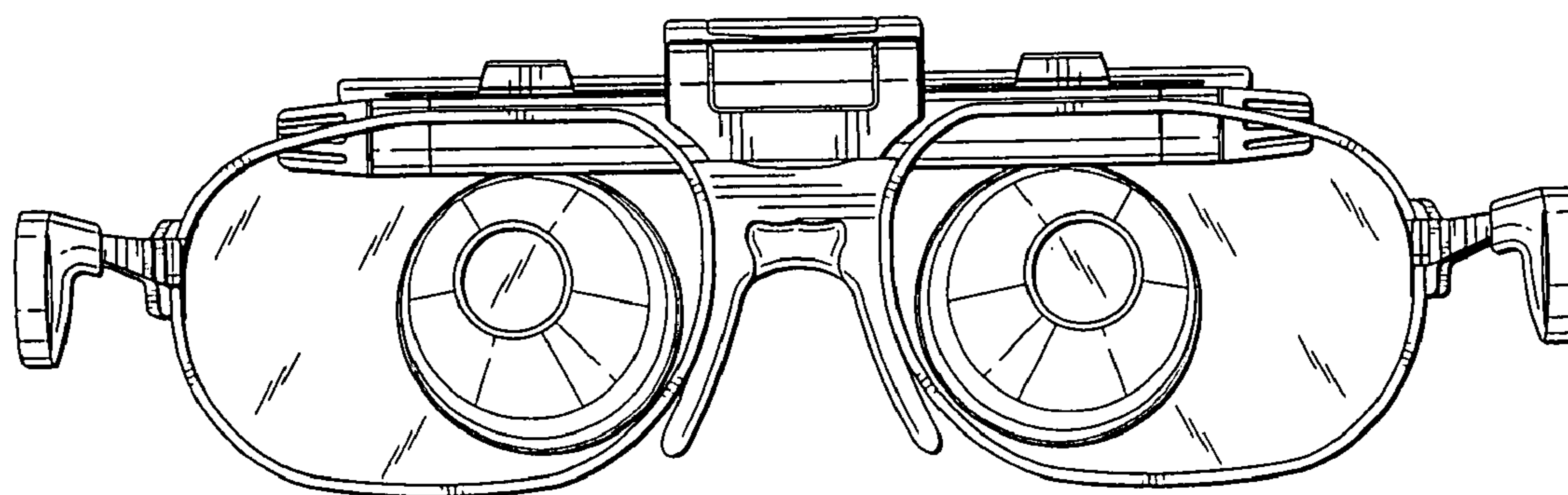


FIG. 7

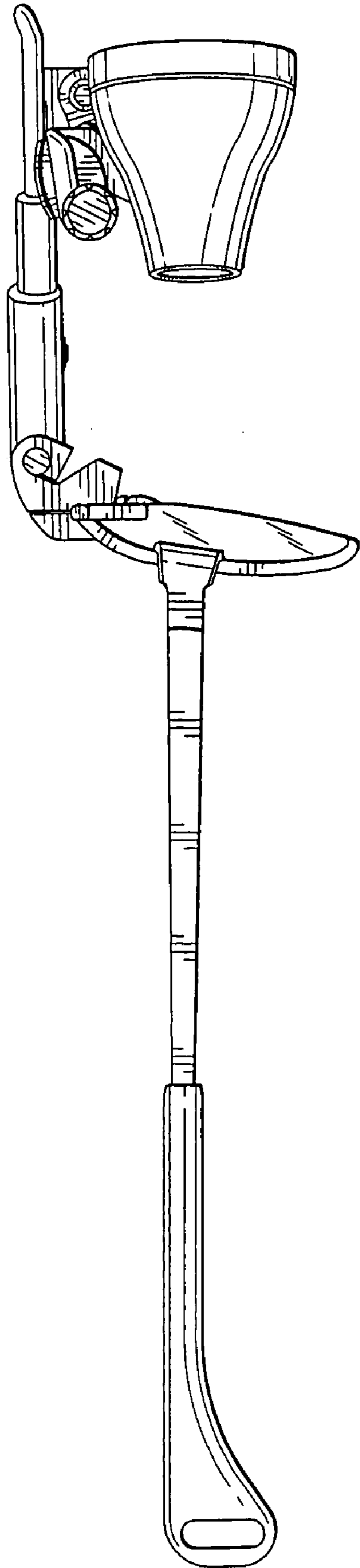


FIG. 8

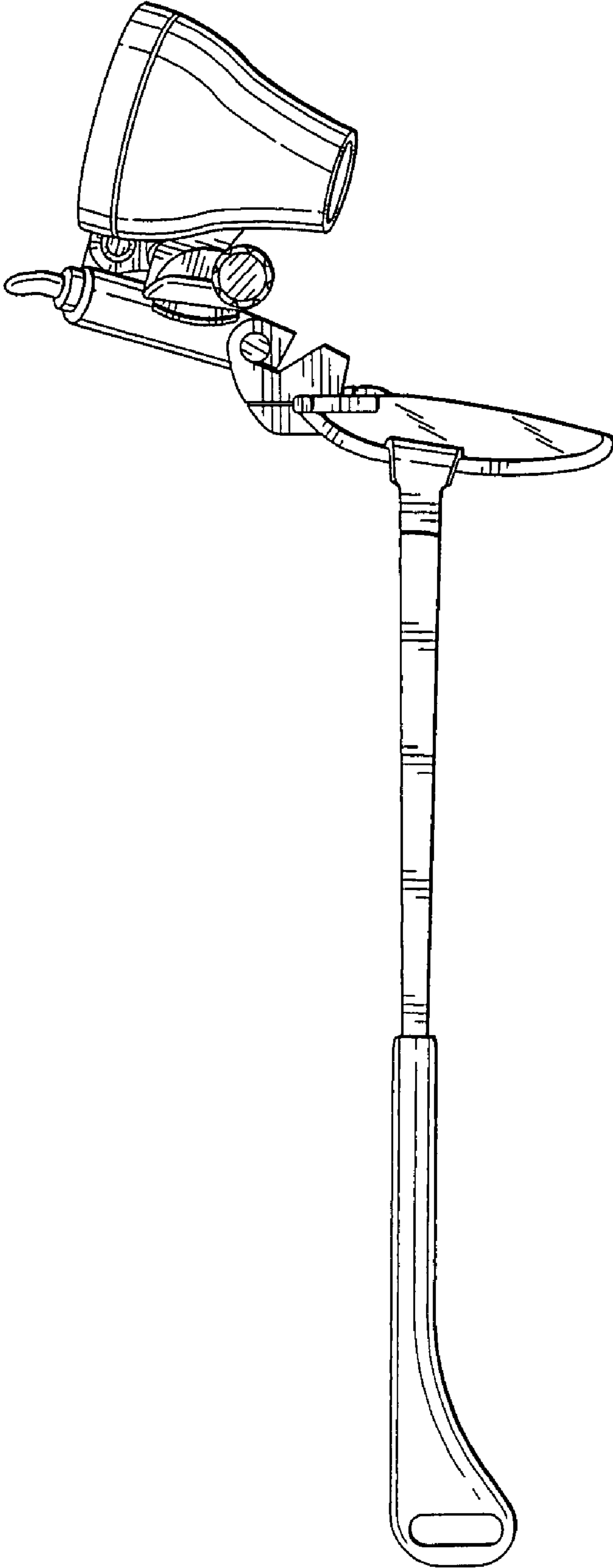


FIG. 9

UNITED STATES PATENT AND TRADEMARK OFFICE
CERTIFICATE OF CORRECTION

PATENT NO. : Des. 564,011 S
APPLICATION NO. : 29/274178
DATED : March 11, 2008
INVENTOR(S) : Bastian Beate, Guido Hattendorf and Karin Peters

Page 1 of 1

It is certified that error appears in the above-identified patent and that said Letters Patent is hereby corrected as shown below:

Title Page:
Item (75) Inventors: delete "Katrin Peters" and substitute -- Karin Peters --
therefor.

Signed and Sealed this

Twenty-fourth Day of June, 2008

A handwritten signature in black ink that reads "Jon W. Dudas". The signature is written in a cursive style with a large, looped initial "J".

JON W. DUDAS
Director of the United States Patent and Trademark Office