

US00D564010S

(12) **United States Design Patent**
Dordick

(10) **Patent No.:** **US D564,010 S**
(45) **Date of Patent:** **** Mar. 11, 2008**

(54) **CAMERA MOUNT**

(76) Inventor: **Scott D. Dordick**, 2041 E. Gladstone
St., Unit 'H', Glendora, CA (US) 91740

(**) Term: **14 Years**

(21) Appl. No.: **29/285,226**

(22) Filed: **Mar. 23, 2007**

(51) **LOC (8) Cl.** **16-05**

(52) **U.S. Cl.** **D16/242; D16/245**

(58) **Field of Classification Search** D16/237,
D16/242, 244, 245, 239; 248/176.1, 177.1,
248/185.1, 187.1, 161, 176.3; 396/419, 425,
396/428, 218, 420, 422; 352/243

See application file for complete search history.

(56) **References Cited**

U.S. PATENT DOCUMENTS

3,356,325	A *	12/1967	Schnase	248/187.1
D245,988	S *	10/1977	Miller	D16/245
D292,982	S *	12/1987	Nakatani	D16/245
4,763,151	A *	8/1988	Klinger	396/419
4,955,568	A *	9/1990	O'Connor et al.	248/183.3
4,979,709	A *	12/1990	Ishikawa	248/187.1
D323,339	S *	1/1992	Ishikawa	D16/245
D327,084	S *	6/1992	Miyauchi	D16/245

D366,887	S *	2/1996	Wood	D16/242
D382,288	S *	8/1997	Usui	D16/245
D405,815	S *	2/1999	Takizawa	D16/242
6,827,319	B2 *	12/2004	Mayr	248/187.1
D515,614	S *	2/2006	Speggiorin	D16/245

* cited by examiner

Primary Examiner—Adir Aronovich

Assistant Examiner—Wan Laymon

(57) **CLAIM**

The ornamental design for a camera mount, as shown.

DESCRIPTION

FIG. 1 is a front and top perspective view of a camera mount showing my new design;

FIG. 2 is a bottom plan view thereof;

FIG. 3 is a top plan view thereof;

FIG. 4 is a left elevation view thereof;

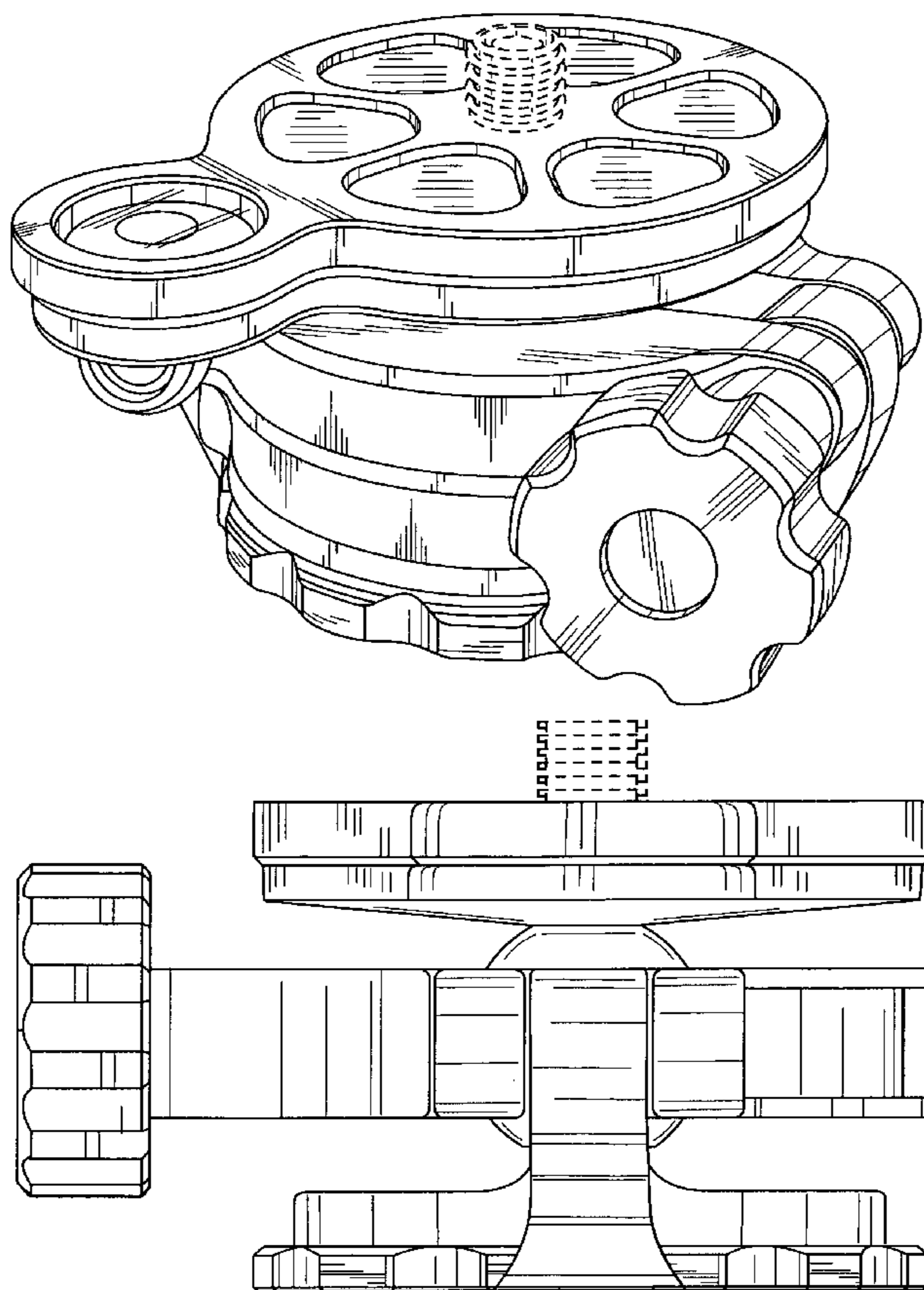
FIG. 5 is a right elevation view thereof;

FIG. 6 is a front elevation view thereof; and,

FIG. 7 is a rear elevation view thereof.

The broken lines in the Figures are for illustrative purposes only and form no part of the claimed design.

1 Claim, 7 Drawing Sheets



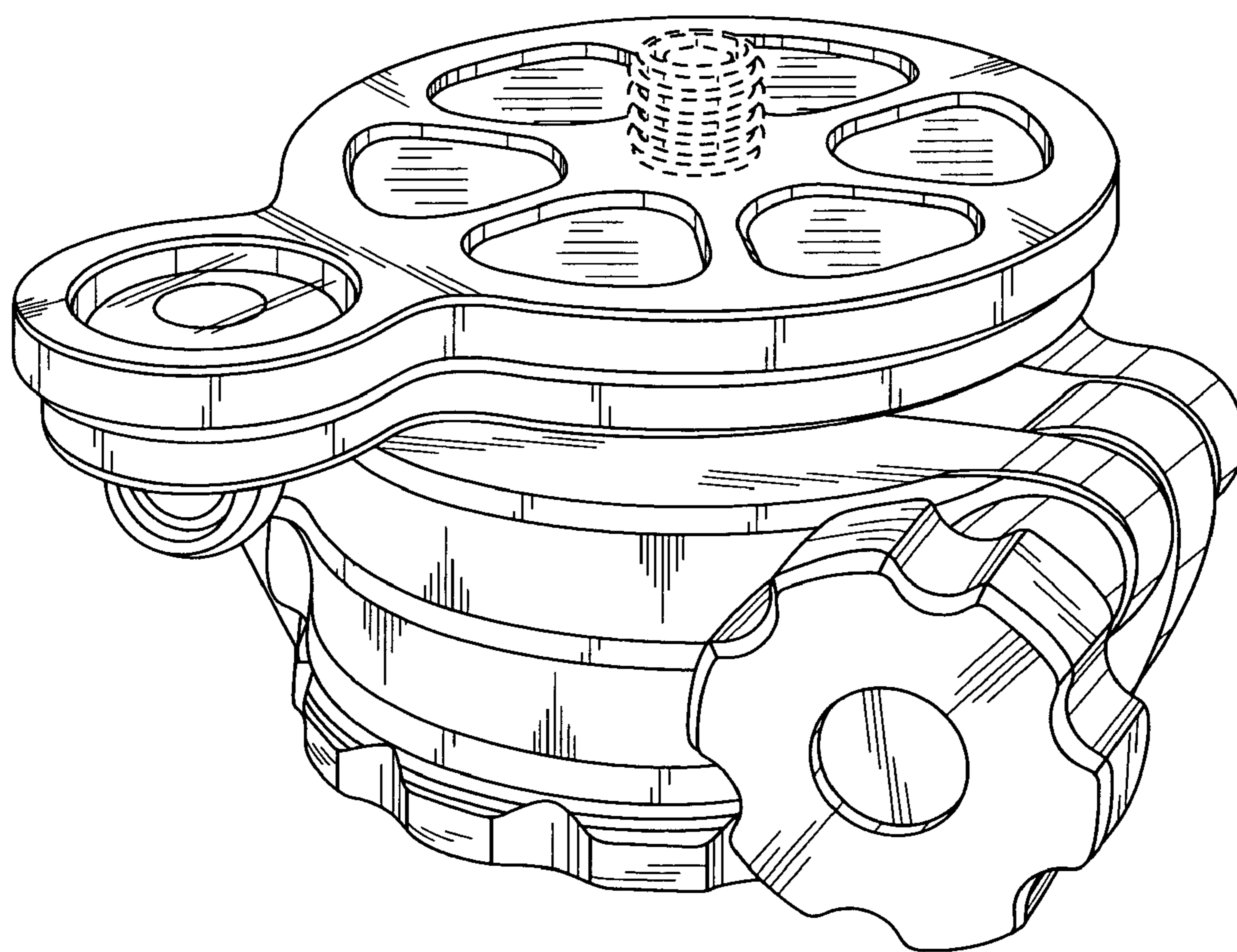


FIG. 1

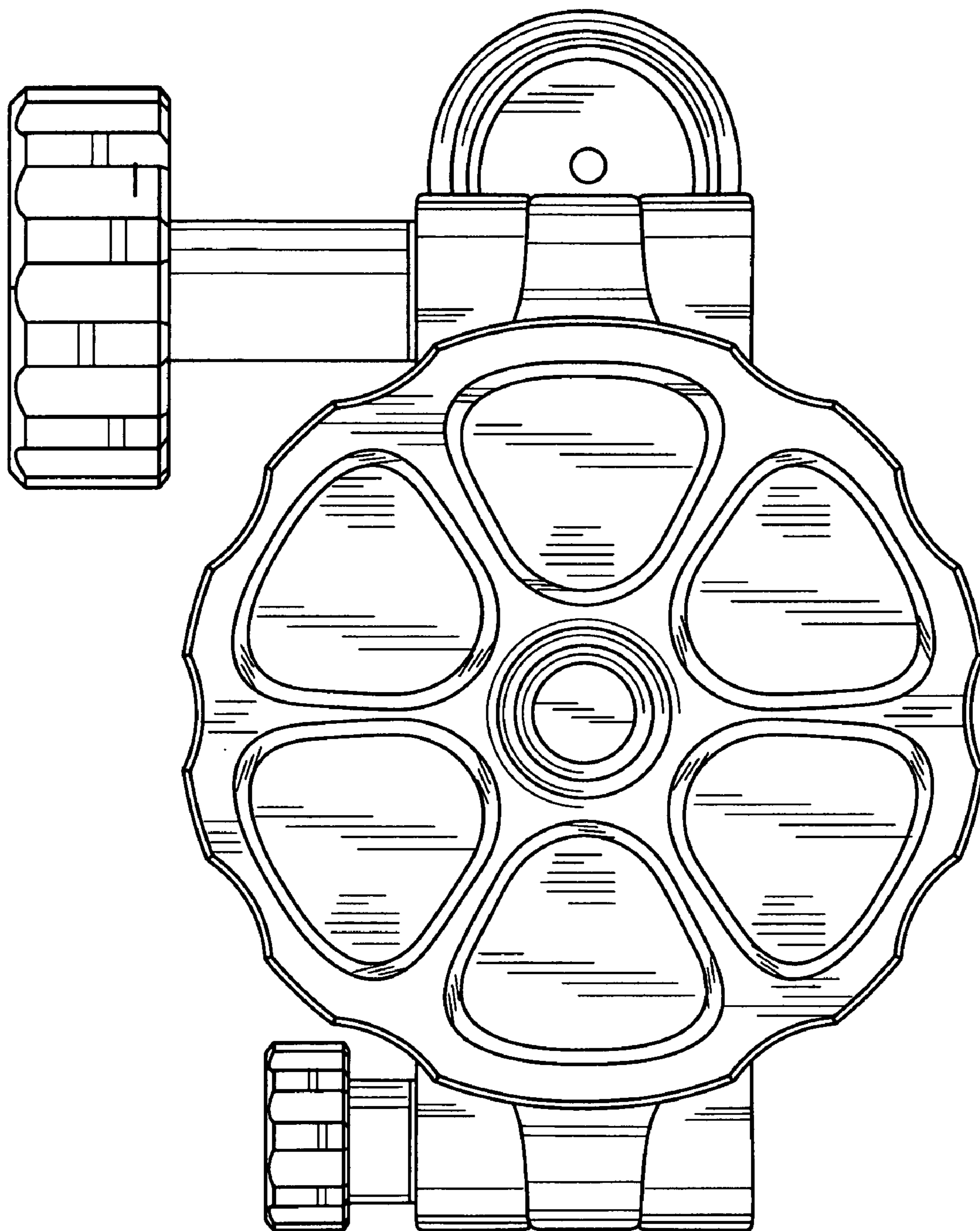


FIG. 2

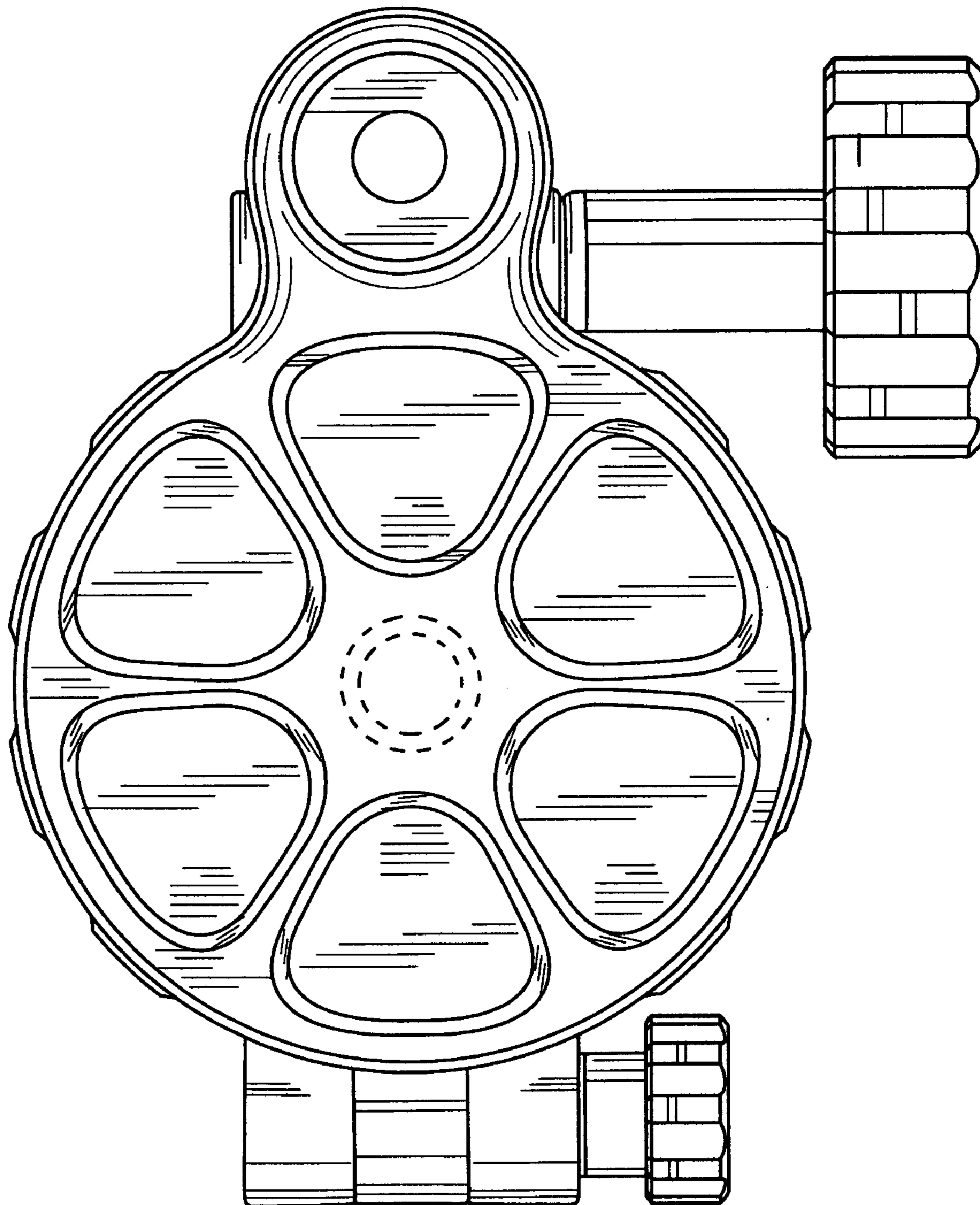


FIG. 3

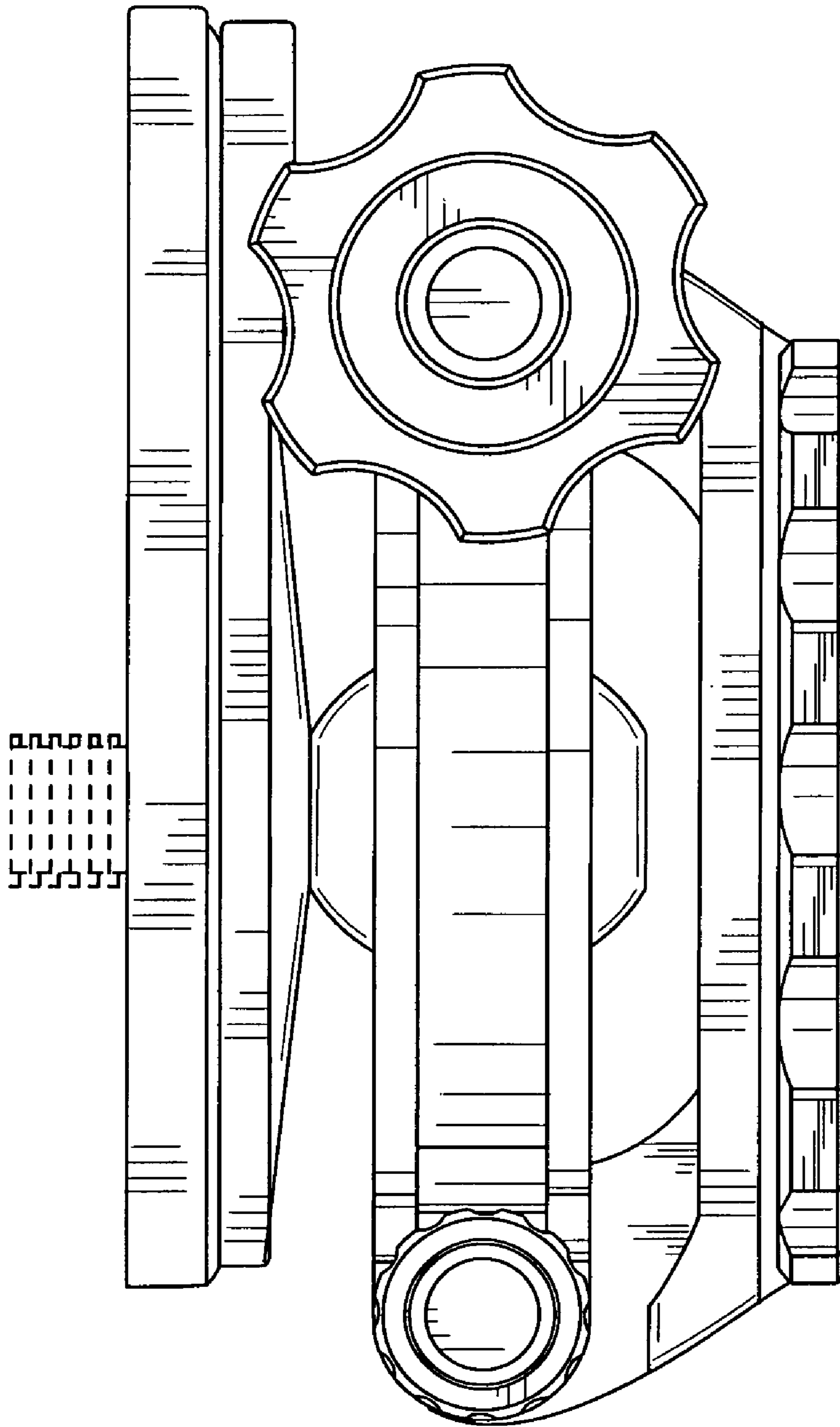


FIG. 4

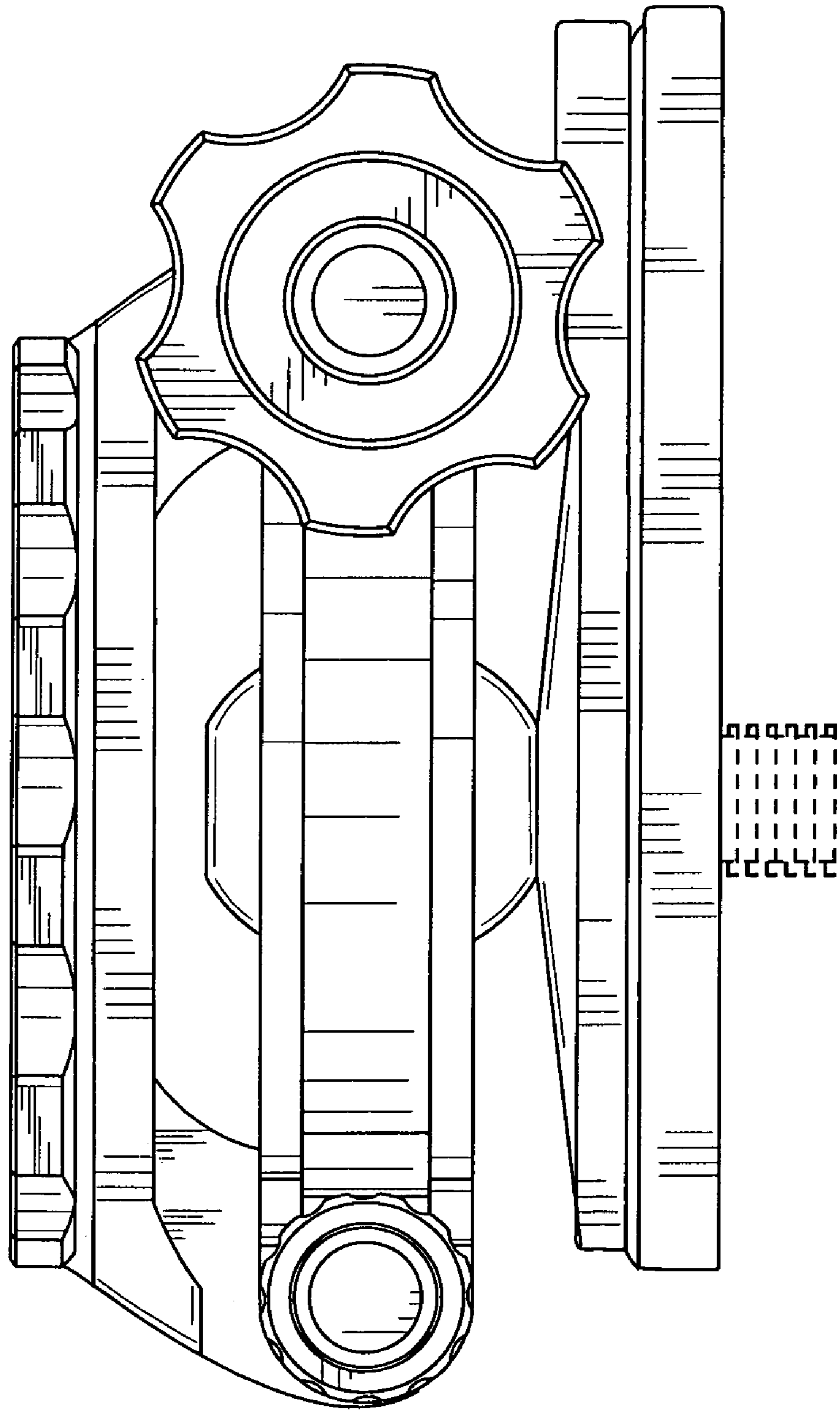


FIG. 5

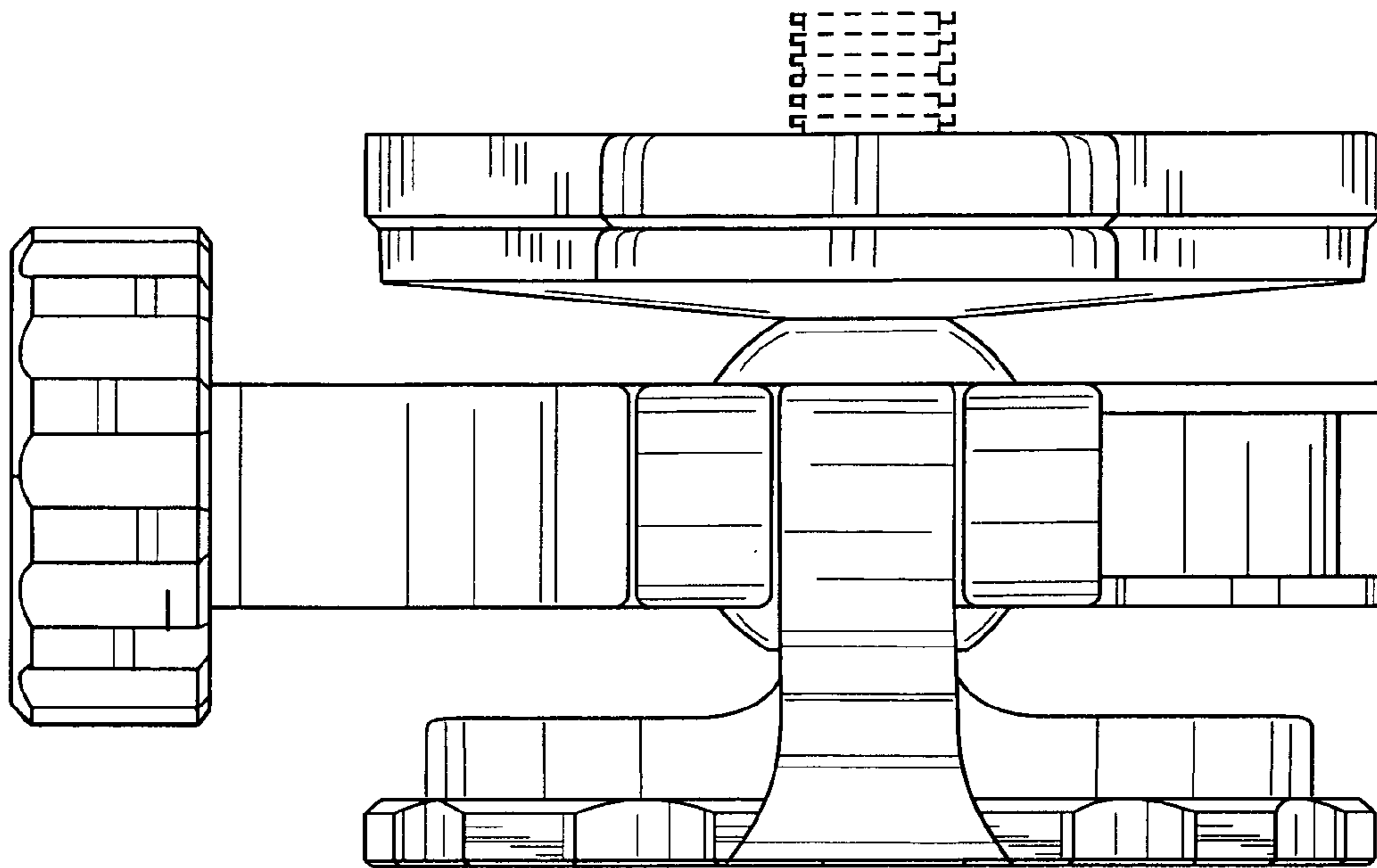


FIG. 6

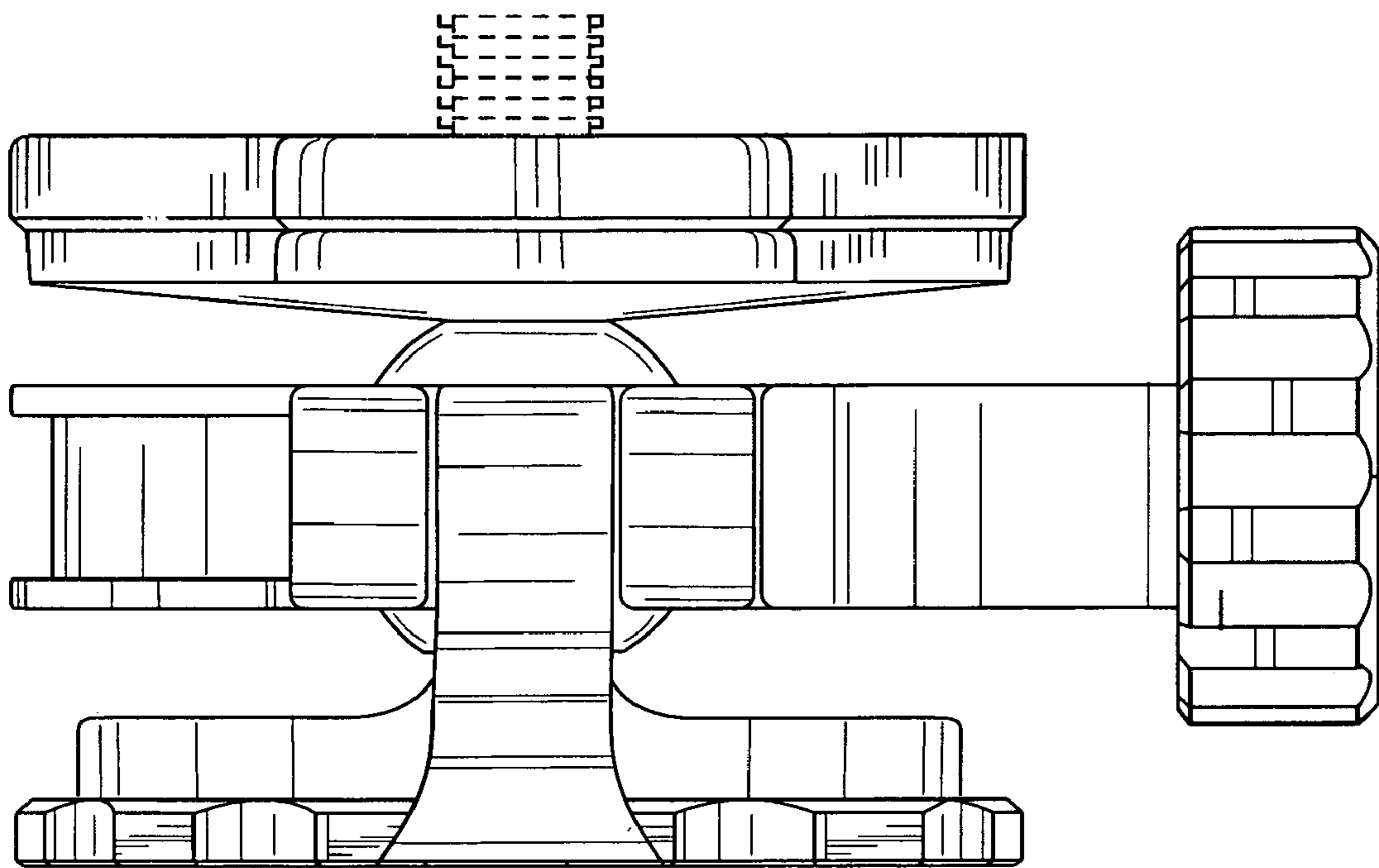


FIG. 7