



US00D564009S

(12) **United States Design Patent**
Kong et al.

(10) **Patent No.:** **US D564,009 S**
(45) **Date of Patent:** **** Mar. 11, 2008**

(54) **PROJECTOR**

(75) Inventors: **Otto H. M. Kong**, San Jose, CA (US);
Yau Wing Chung, Fremont, CA (US)

(73) Assignee: **Optoma Technology**, Milpitas, CA
(US)

(**) Term: **14 Years**

(21) Appl. No.: **29/235,215**

(22) Filed: **Jul. 29, 2005**

(51) **LOC (8) Cl.** **16-02**

(52) **U.S. Cl.** **D16/230**

(58) **Field of Classification Search** D16/200,
D16/205, 208, 221, 225, 230, 231, 234; 348/143,
348/151, 373-376, 311, 745, 748, 581, E5.111;
D21/514; 349/161; 352/202; 353/69, 70,
353/115, 119, 122

See application file for complete search history.

(56) **References Cited**

U.S. PATENT DOCUMENTS

D339,817 S	*	9/1993	Fukuda et al.	D16/230
D398,321 S	*	9/1998	Iida	D16/230
D409,644 S	*	5/1999	Uehara	D16/234
D429,270 S	*	8/2000	Ishibashi et al.	D16/231
D433,049 S	*	10/2000	Murakami	D16/231
D449,847 S	*	10/2001	Gotham et al.	D16/230
D457,179 S	*	5/2002	Saeki et al.	D16/230

2006/0238725	A1*	10/2006	Chou et al.	353/119
2007/0024763	A1*	2/2007	Chung	348/745
2007/0024764	A1*	2/2007	Chung	348/745

* cited by examiner

Primary Examiner—Ian Simmons

Assistant Examiner—Wan Laymon

(74) *Attorney, Agent, or Firm*—MH2 Technology Law
Group, LLP

(57) **CLAIM**

The ornamental design for a projector, as shown and described.

DESCRIPTION

FIG. 1 is a front view thereof.

FIG. 2 is a rear view thereof.

FIG. 3 is a top view thereof.

FIG. 4 is a bottom view thereof.

FIG. 5 is a left side view thereof.

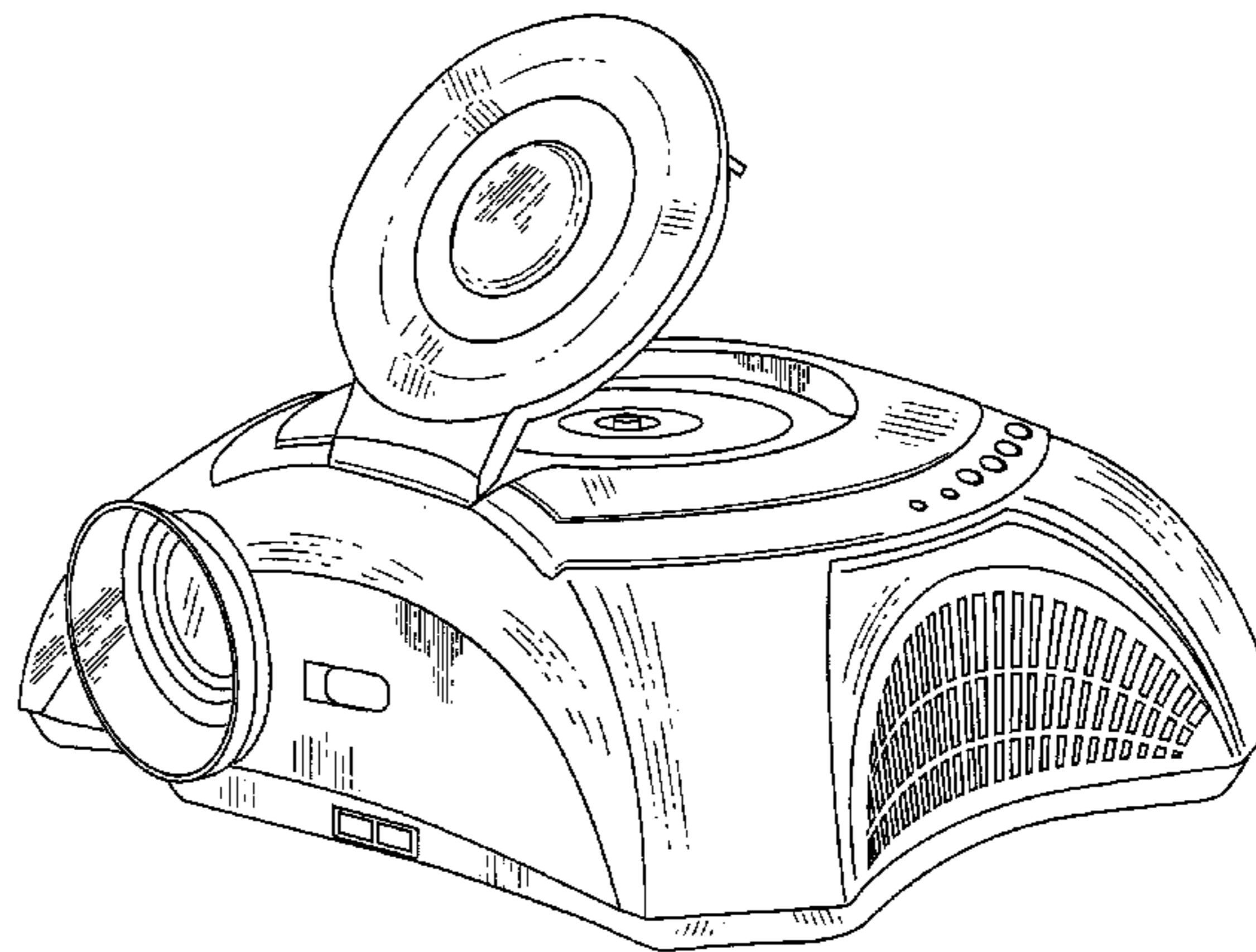
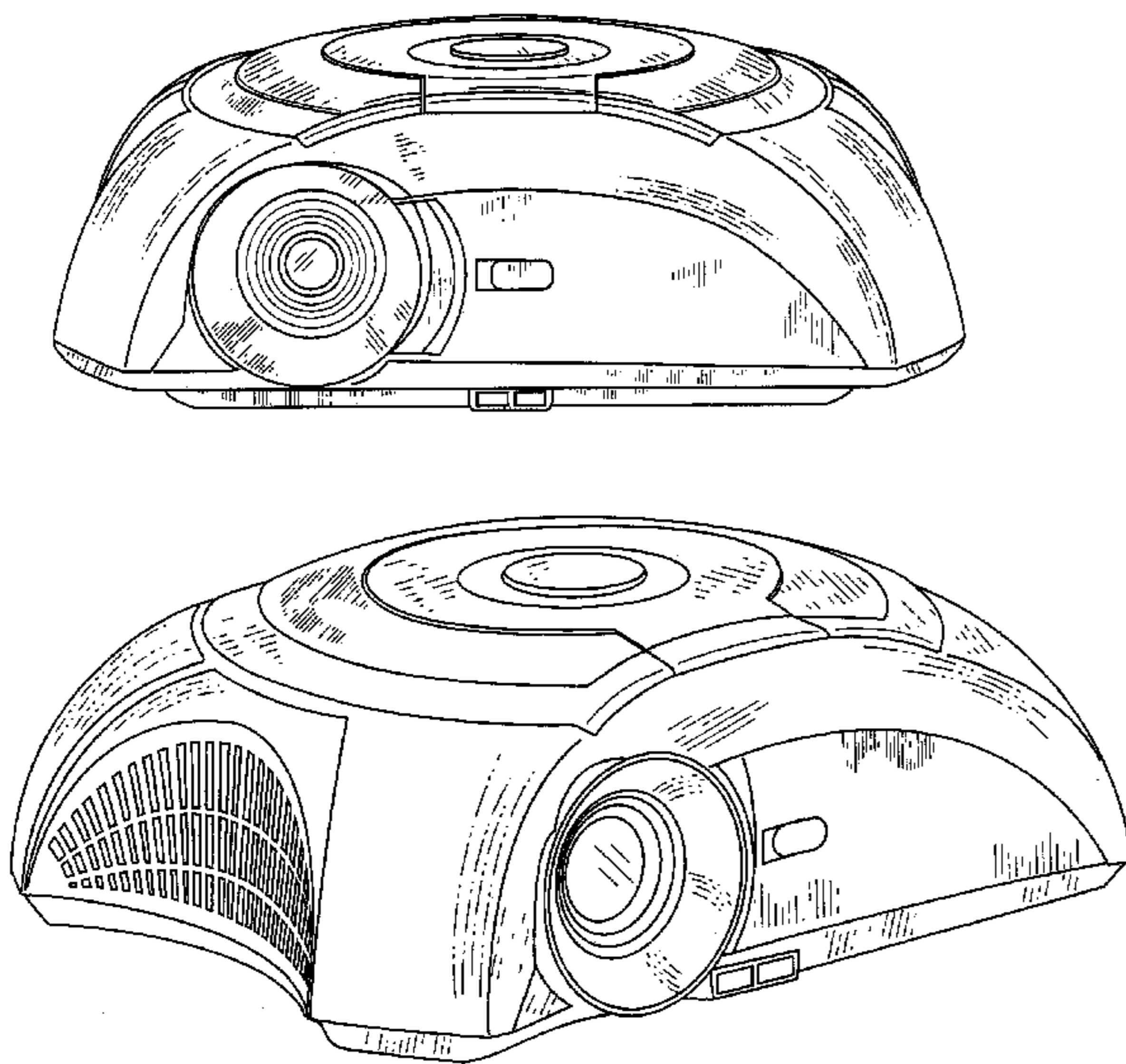
FIG. 6 is a right side view thereof.

FIG. 7 is a right side elevation view thereof; and,

FIG. 8 is a left side elevation view thereof with the lid being illustrated in an open position.

The broken lines in FIGS. 2, 3 and 8 are for illustration purposes only and form no part of the claimed design.

1 Claim, 8 Drawing Sheets



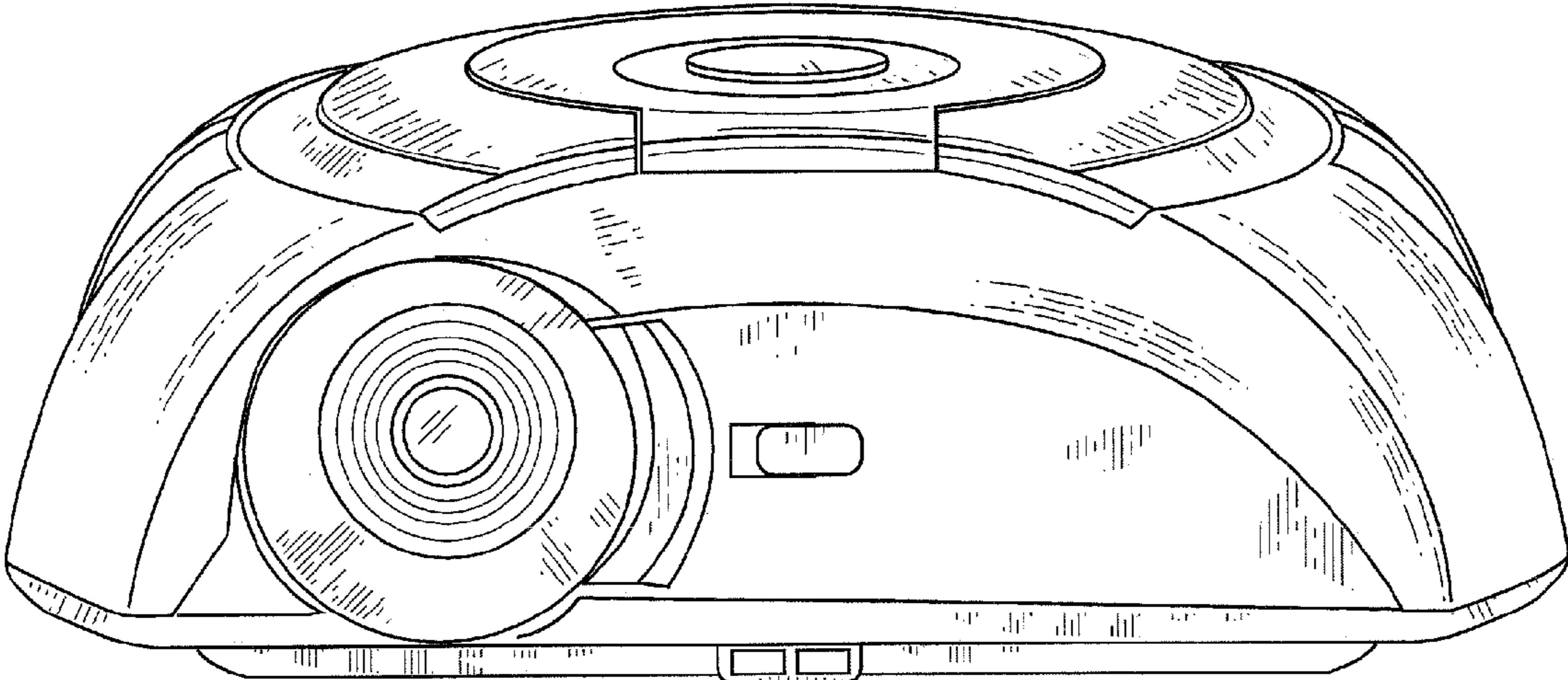


FIG. 1

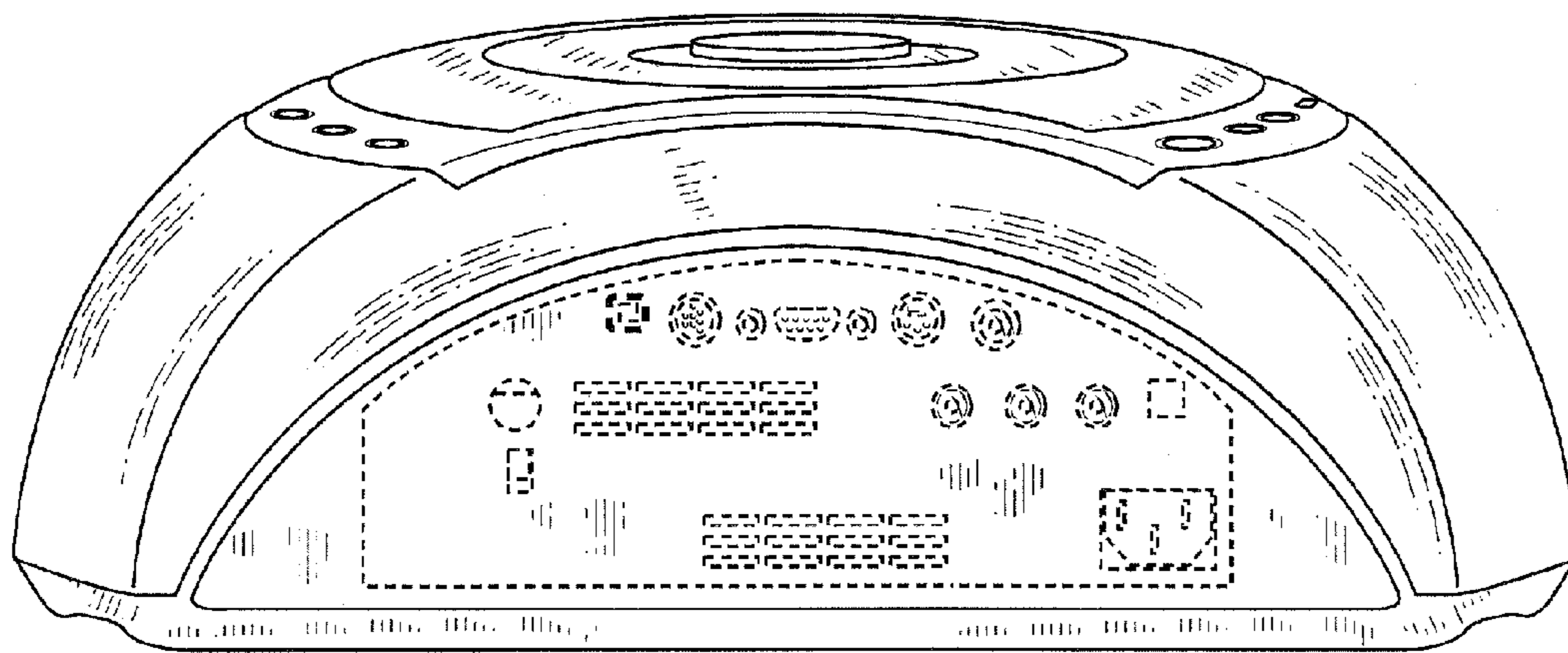


FIG. 2

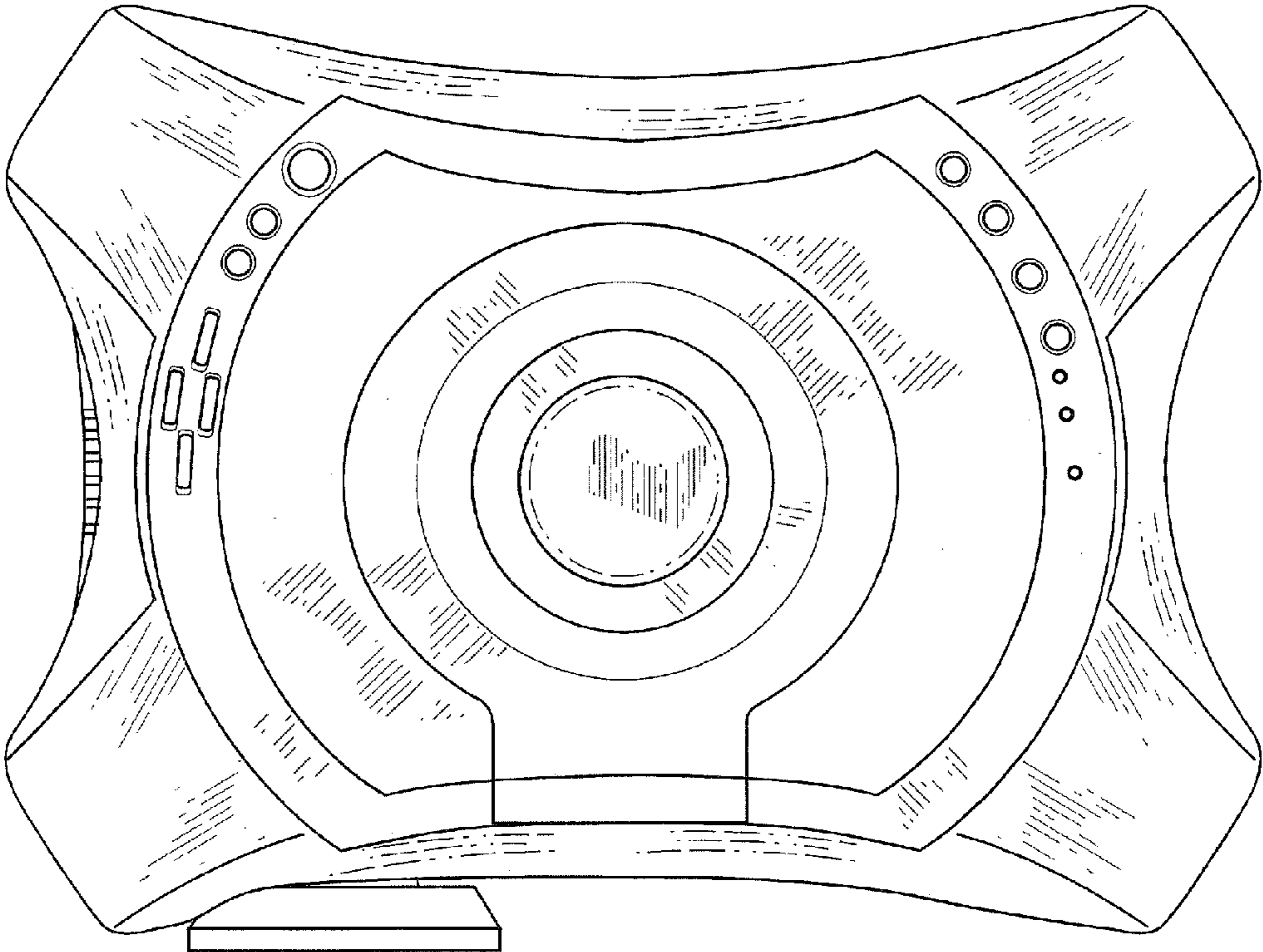


FIG. 3

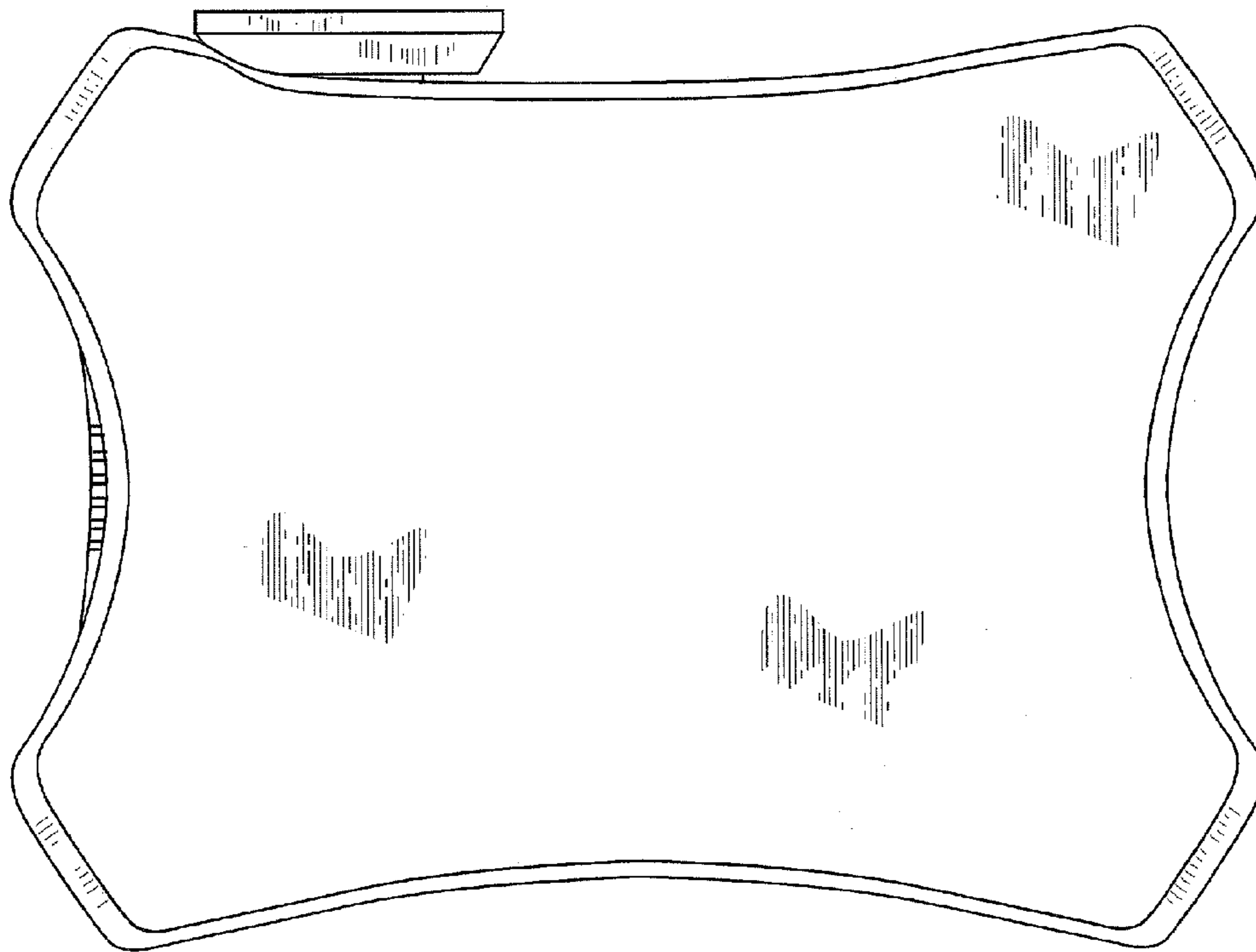


FIG. 4

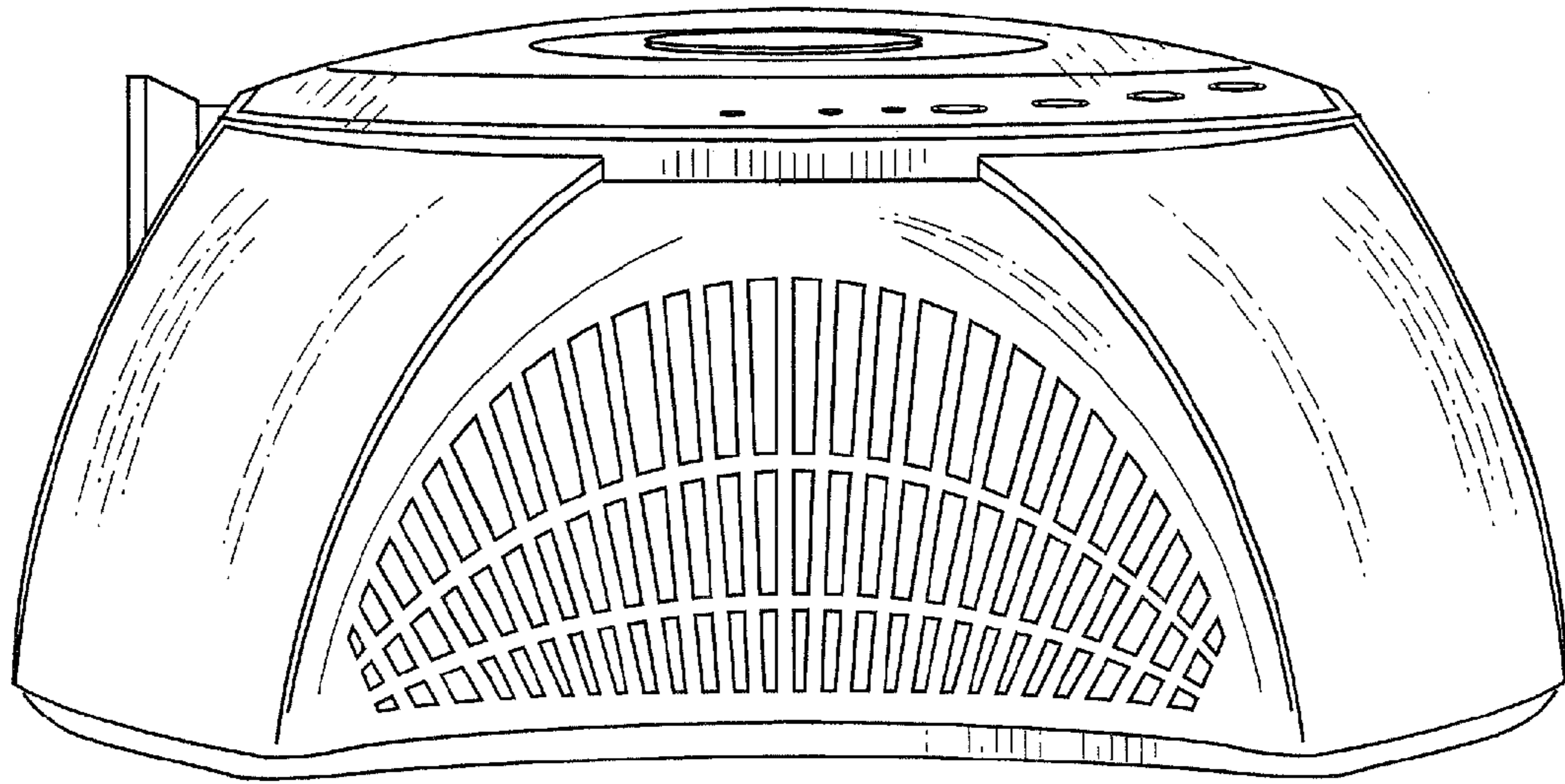


FIG. 5

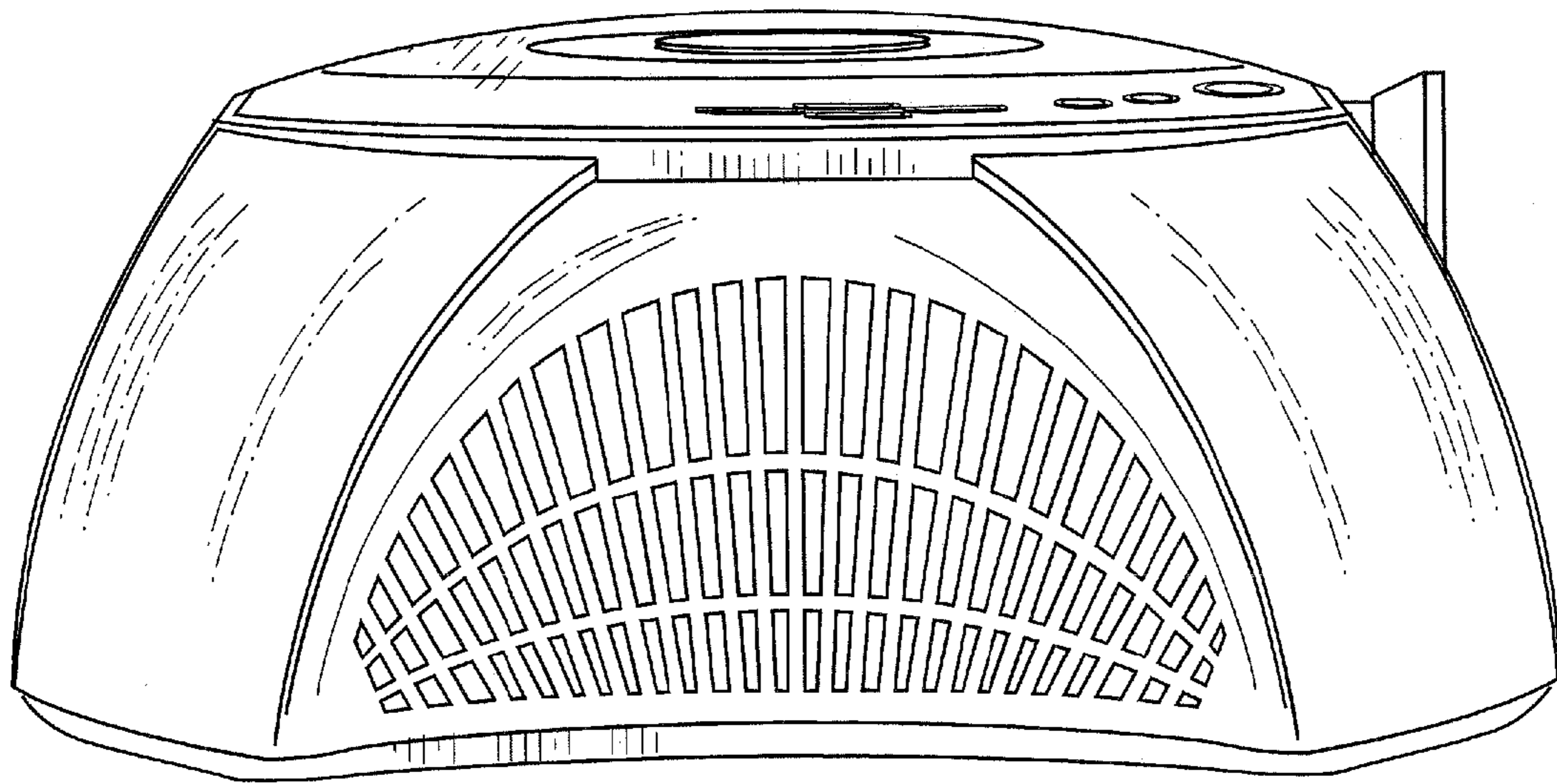


FIG. 6

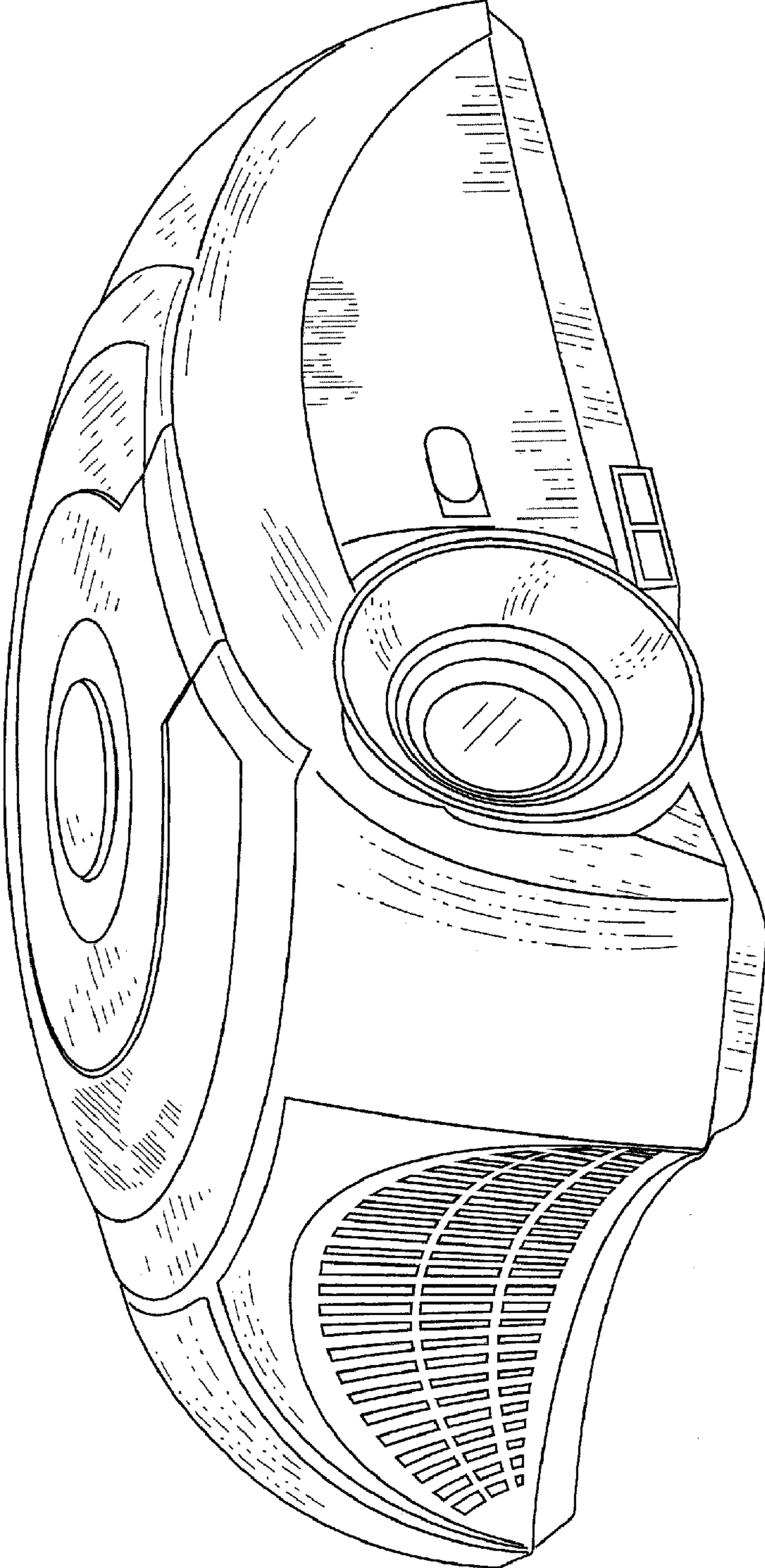


FIG. 7

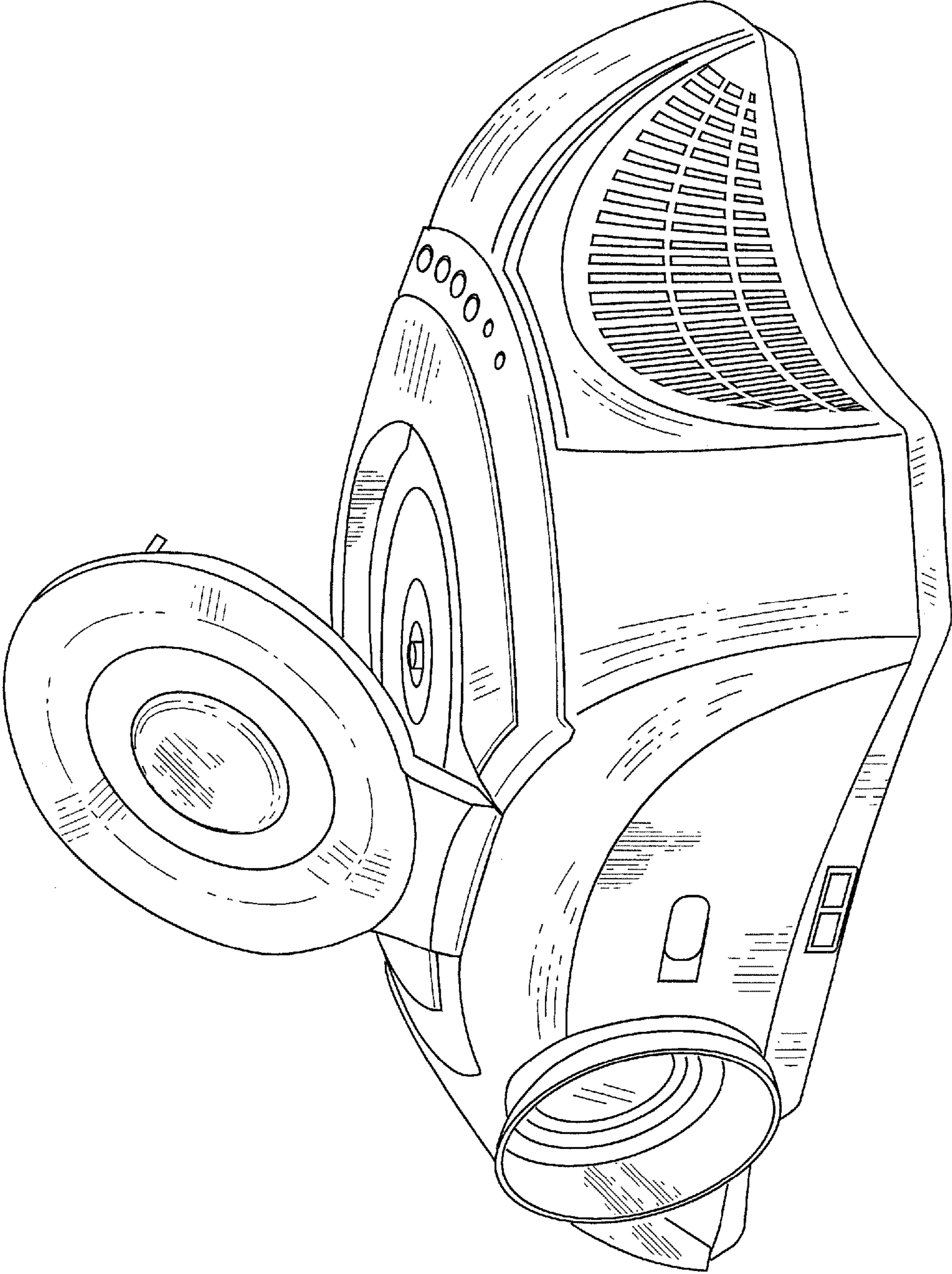


FIG. 8