

US00D564008S

(12) **United States Design Patent**
Ikeda et al.

(10) **Patent No.:** **US D564,008 S**
(45) **Date of Patent:** **** Mar. 11, 2008**

(54) **PORTION OF A CAMERA**

D523,459 S * 6/2006 Matsuda D16/219

(75) Inventors: **John Ikeda**, Seattle, WA (US); **Matt Day**, San Francisco, CA (US)

* cited by examiner

(73) Assignee: **Microsoft Corporation**, Redmond, WA (US)

Primary Examiner—Ian Simmons

Assistant Examiner—Wan Laymon

(74) *Attorney, Agent, or Firm*—Banner & Witcoff, Ltd.

(**) Term: **14 Years**

(57) **CLAIM**

(21) Appl. No.: **29/275,204**

The ornamental design for a portion of a camera, as shown and described.

(22) Filed: **Dec. 15, 2006**

DESCRIPTION

(51) **LOC (8) Cl.** **16-05**

(52) **U.S. Cl.** **D16/219**

(58) **Field of Classification Search** D16/200–206,
D16/208, 214, 219; 348/143, 151, 373–376;
396/427, 535–541; 358/909.1

See application file for complete search history.

FIG. 1 is a front perspective view of a portion of a camera showing our new design;

FIG. 2 is a front view thereof;

FIG. 3 is a top view thereof;

FIG. 4 is a left side view thereof; and,

FIG. 5 is a right side view thereof.

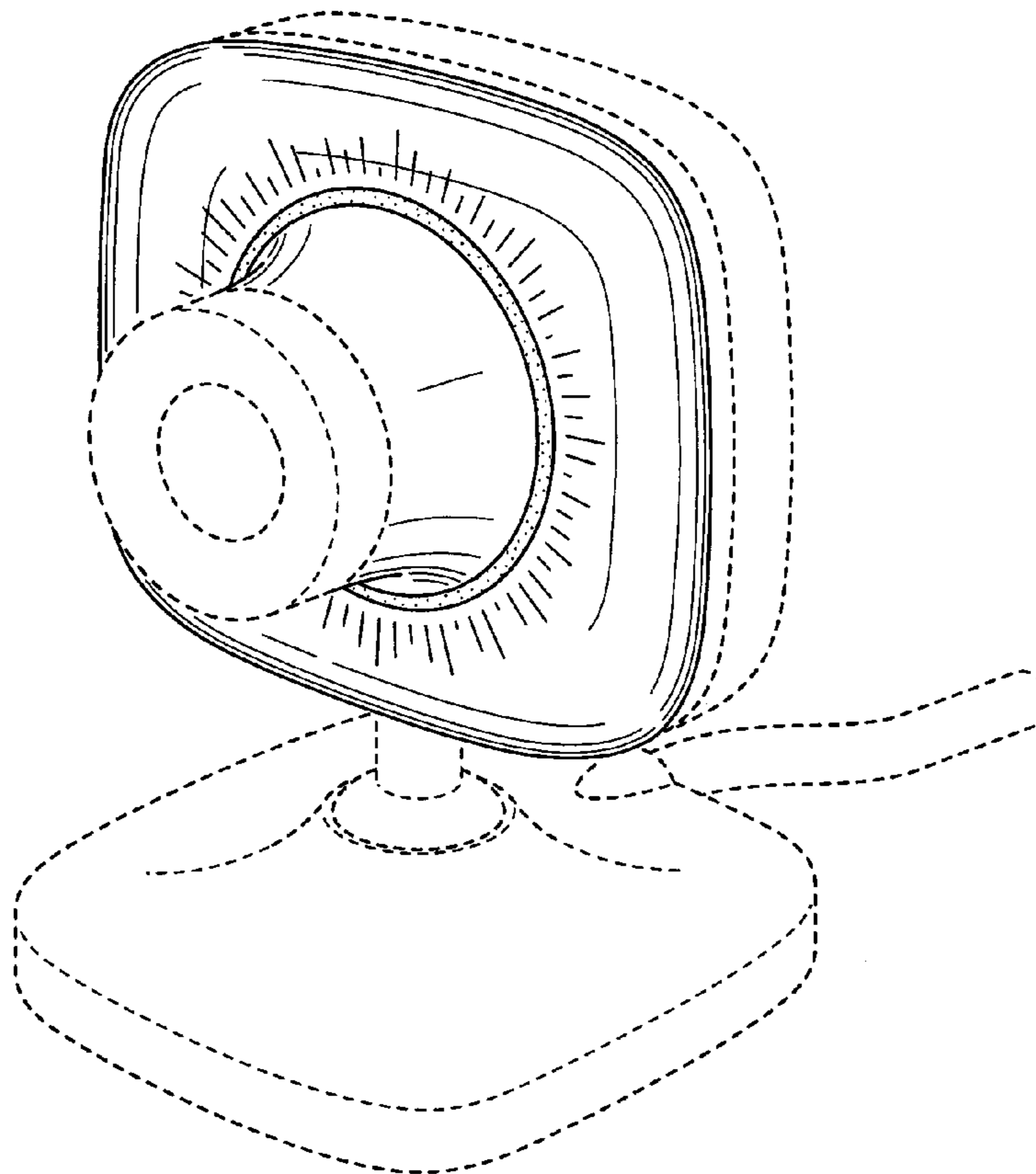
(56) **References Cited**

U.S. PATENT DOCUMENTS

D339,365 S *	9/1993	Urcuilio	D16/203
D377,940 S *	2/1997	Totsch	D16/202
D396,869 S *	8/1998	Yamakawa et al.	D16/202
D465,505 S *	11/2002	Nasu	D16/219
D478,110 S *	8/2003	Nasu	D16/219
D523,458 S *	6/2006	Watanabe	D16/219

The broken line showing of the remainder of the camera is for illustrative purposes only and forms no part of the claimed design. The stippling on the ring-shaped region and lines radiating out therefrom is used herein to illustrate illumination of the ring-shaped region.

1 Claim, 5 Drawing Sheets



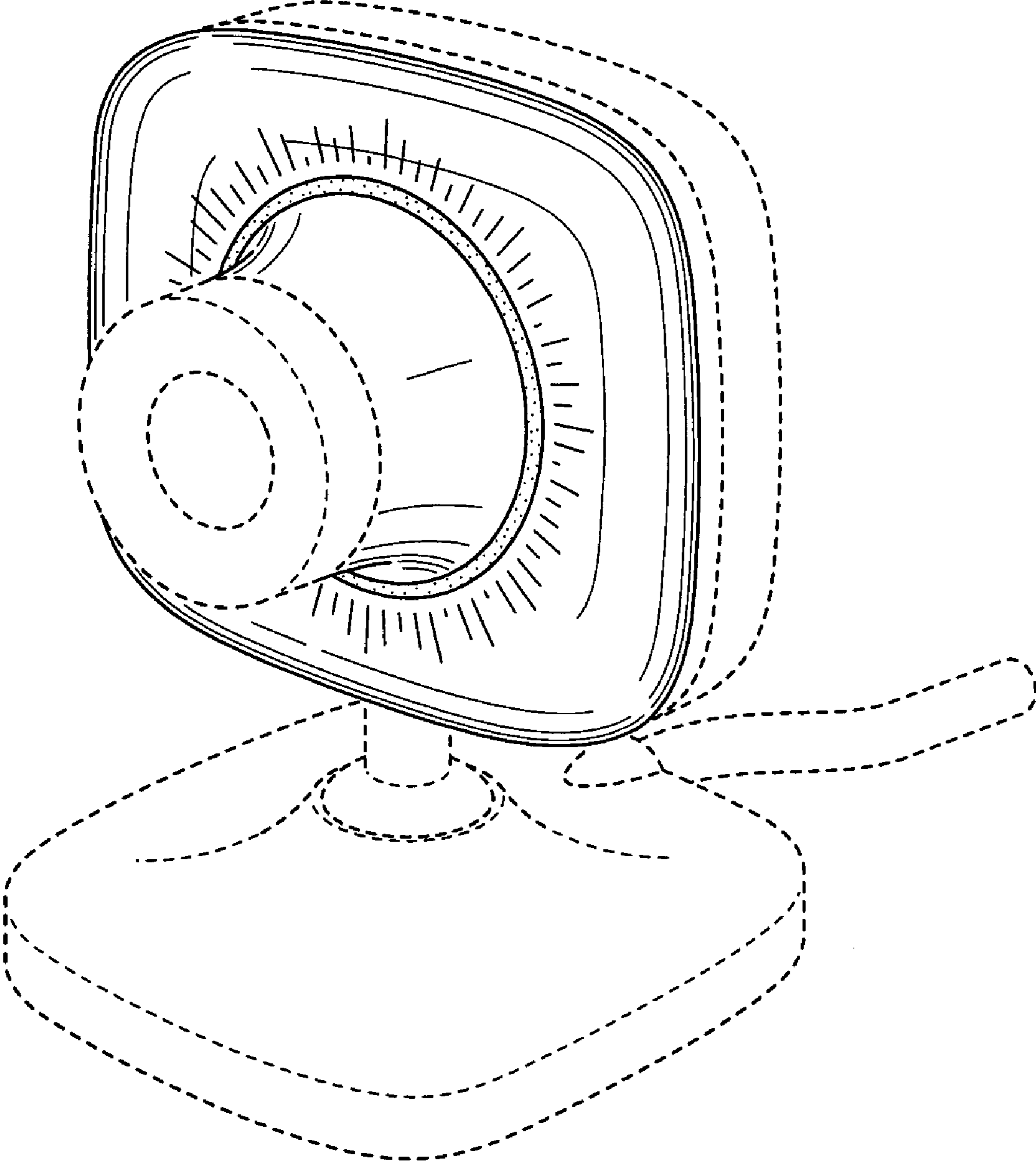


FIG. 1

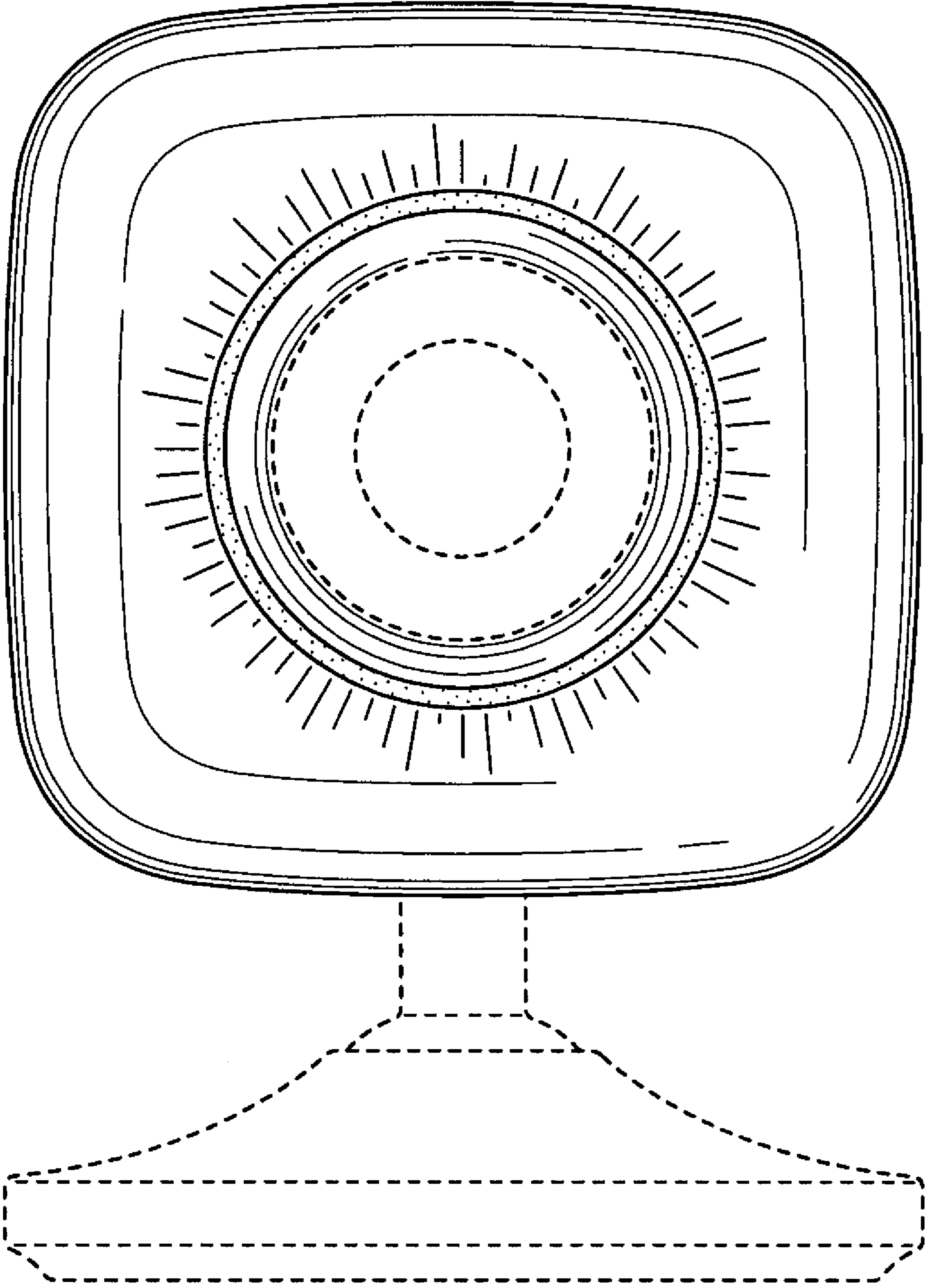


FIG. 2

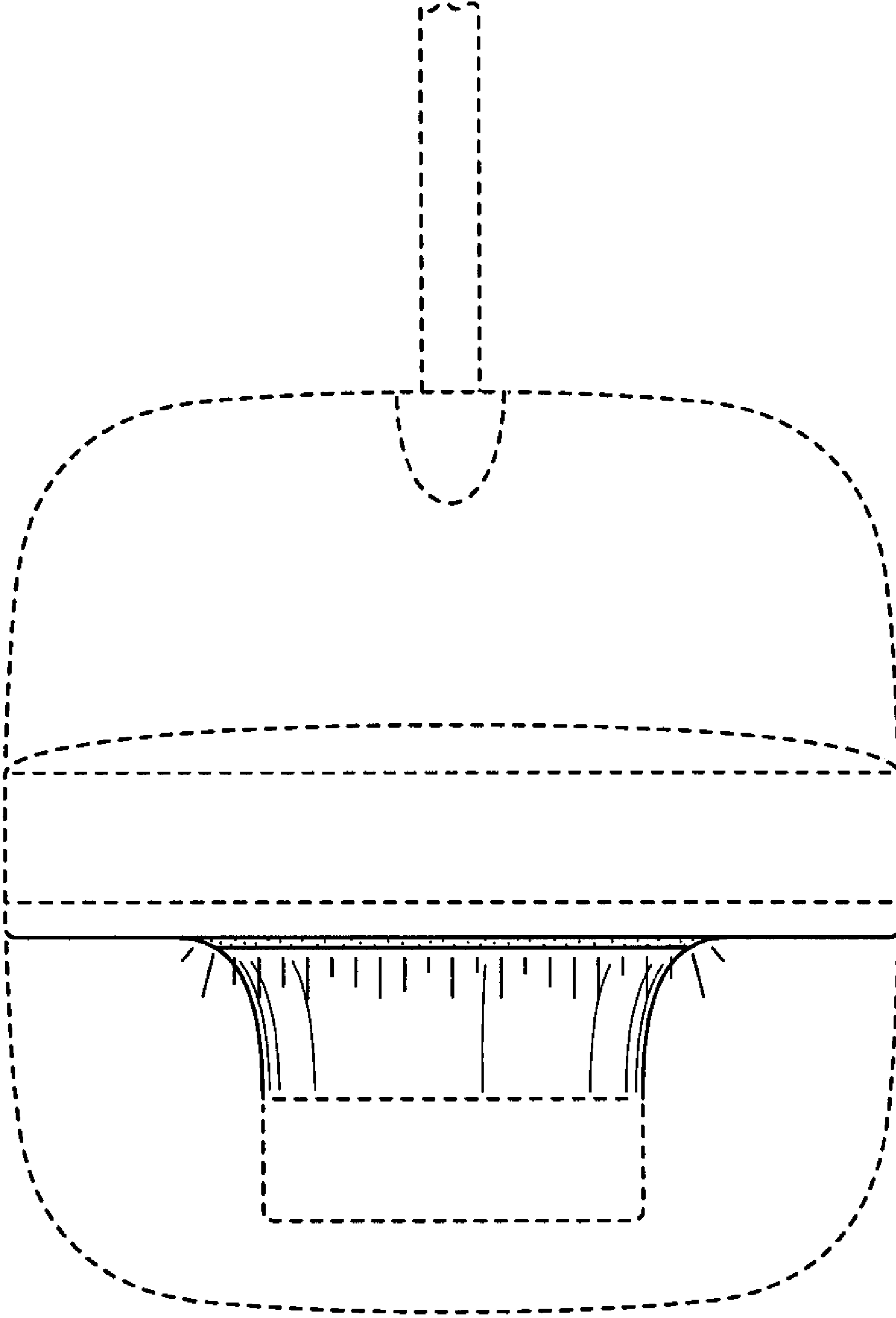


FIG. 3

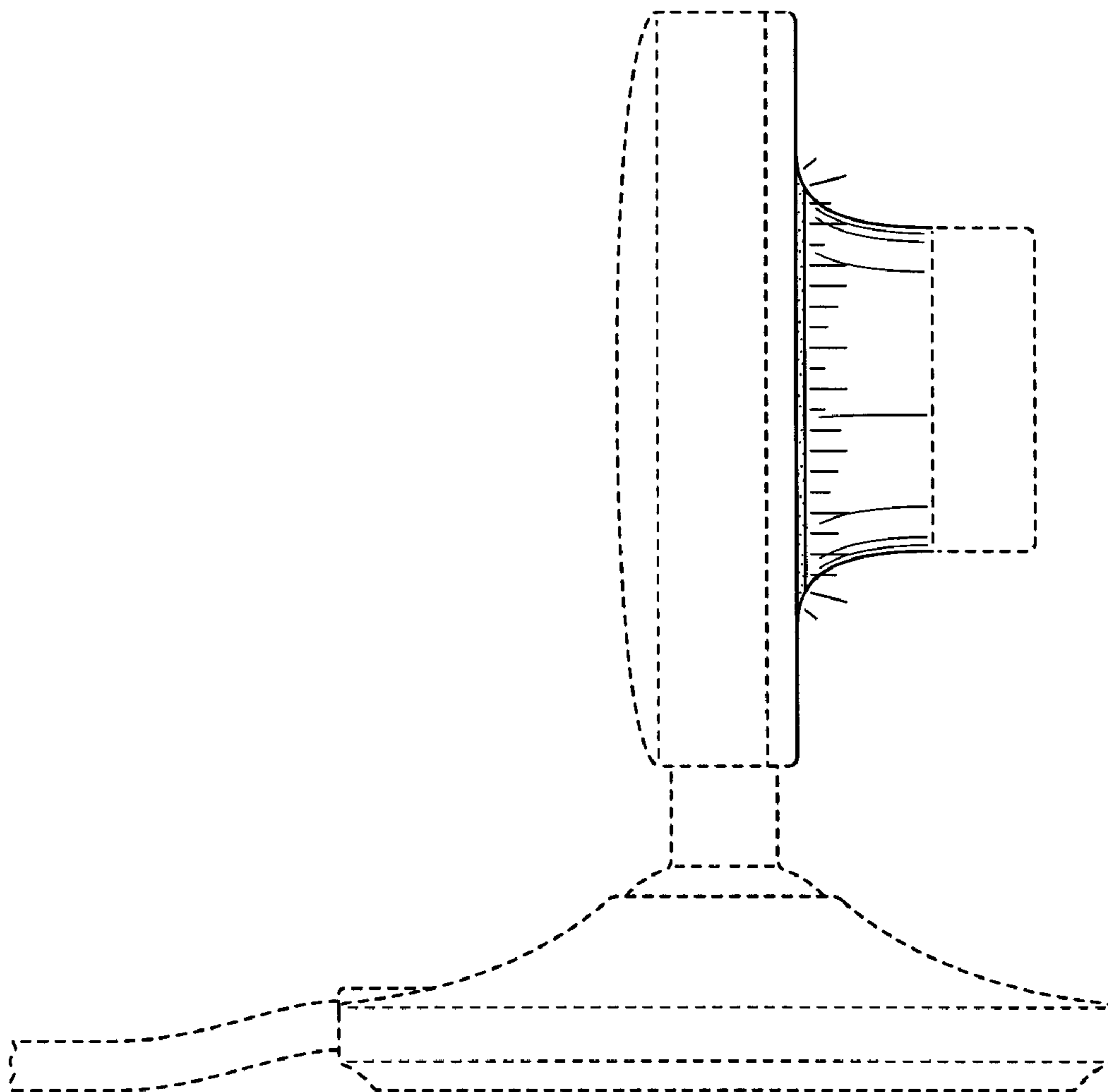


FIG. 4

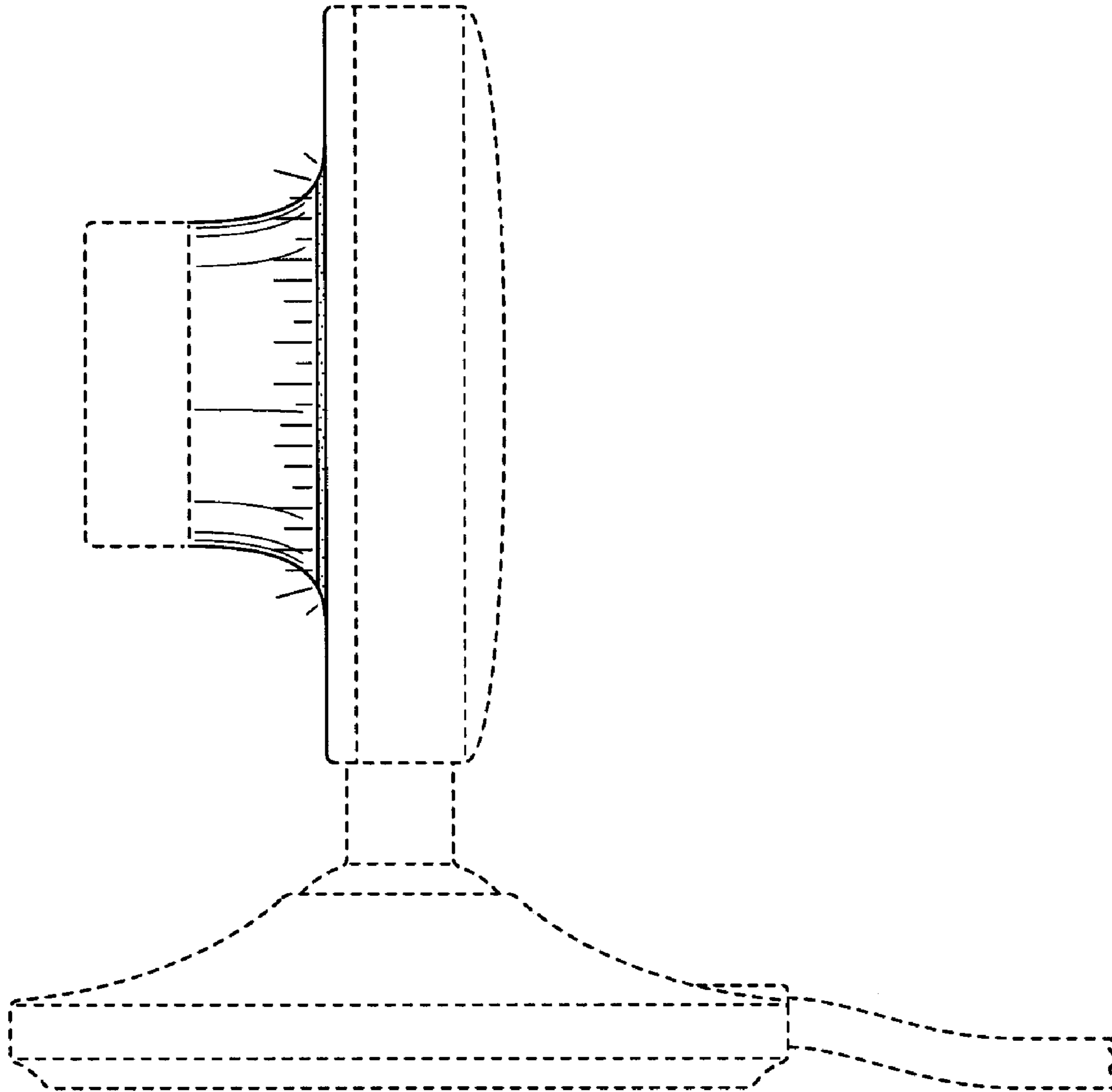


FIG. 5