



US00D564006S

(12) **United States Design Patent**
Stephens et al.

(10) **Patent No.:** **US D564,006 S**

(45) **Date of Patent:** **** Mar. 11, 2008**

(54) **WEB CAM WITH CLIP**

(75) Inventors: **Brian Stephens**, Co. Dublin (IE);
Laurence Massey, Dublin (IE); **Mark Martinez**, San Francisco, CA (US);
Andrew Heymann, San Jose, CA (US);
Ladan Khamsepoor, Santa Clara, CA (US); **Ya Wen Hsu**, Hsinchu (TW)

(73) Assignee: **Logitech Europe S.A.** (CH)

(**) Term: **14 Years**

(21) Appl. No.: **29/270,589**

(22) Filed: **Dec. 27, 2006**

(51) **LOC (8) Cl.** **16-01**

(52) **U.S. Cl.** **D16/208; D16/237**

(58) **Field of Classification Search** D3/266,
D3/267; D16/200–204, 208, 218, 219, 237,
D16/242; 224/269, 908; 348/373–376;
396/420, 429, 535, 536, 540, 541
See application file for complete search history.

(56) **References Cited**

U.S. PATENT DOCUMENTS

D357,929 S * 5/1995 Pierce D16/202

5,927,579 A * 7/1999 Schwabe 396/420
6,168,057 B1 * 1/2001 Schwabe 224/269
D440,587 S * 4/2001 Morooka D16/202
D523,457 S * 6/2006 Tan D16/202
D534,939 S * 1/2007 Sheehan et al. D16/208

* cited by examiner

Primary Examiner—Adir Aronovich

(74) *Attorney, Agent, or Firm*—Townsend and Townsend and Crew LLP

(57) **CLAIM**

The ornamental design for the web cam with clip, as shown and described.

DESCRIPTION

FIG. 1 is a front perspective view of a web cam with a clip showing our new design;

FIG. 2 is a front elevational view thereof;

FIG. 3 is a rear elevational view thereof;

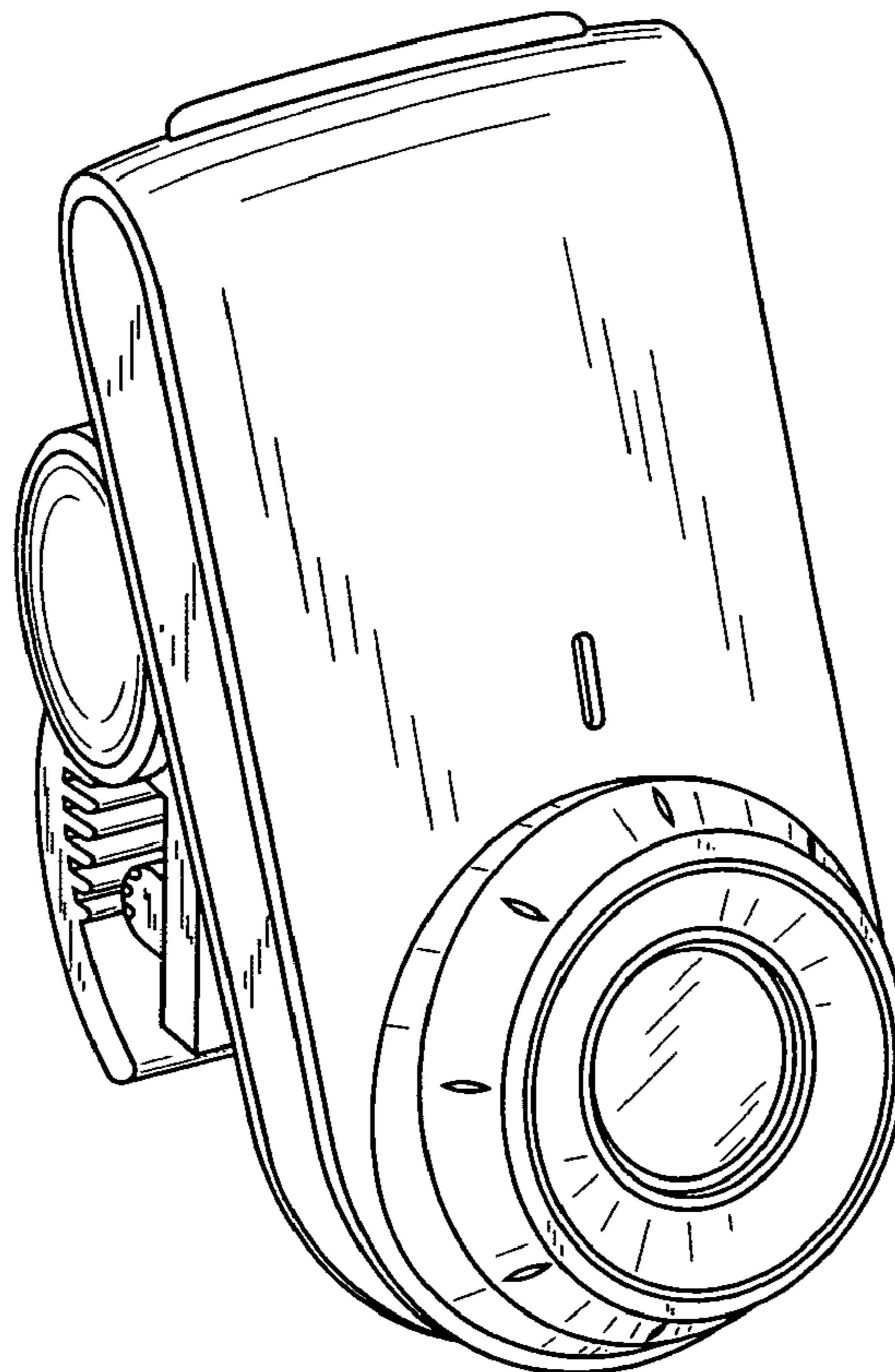
FIG. 4 is a left side elevational view;

FIG. 5 is a right side elevational view

FIG. 6 is top plan view thereof; and,

FIG. 7 is bottom plan view thereof.

1 Claim, 4 Drawing Sheets



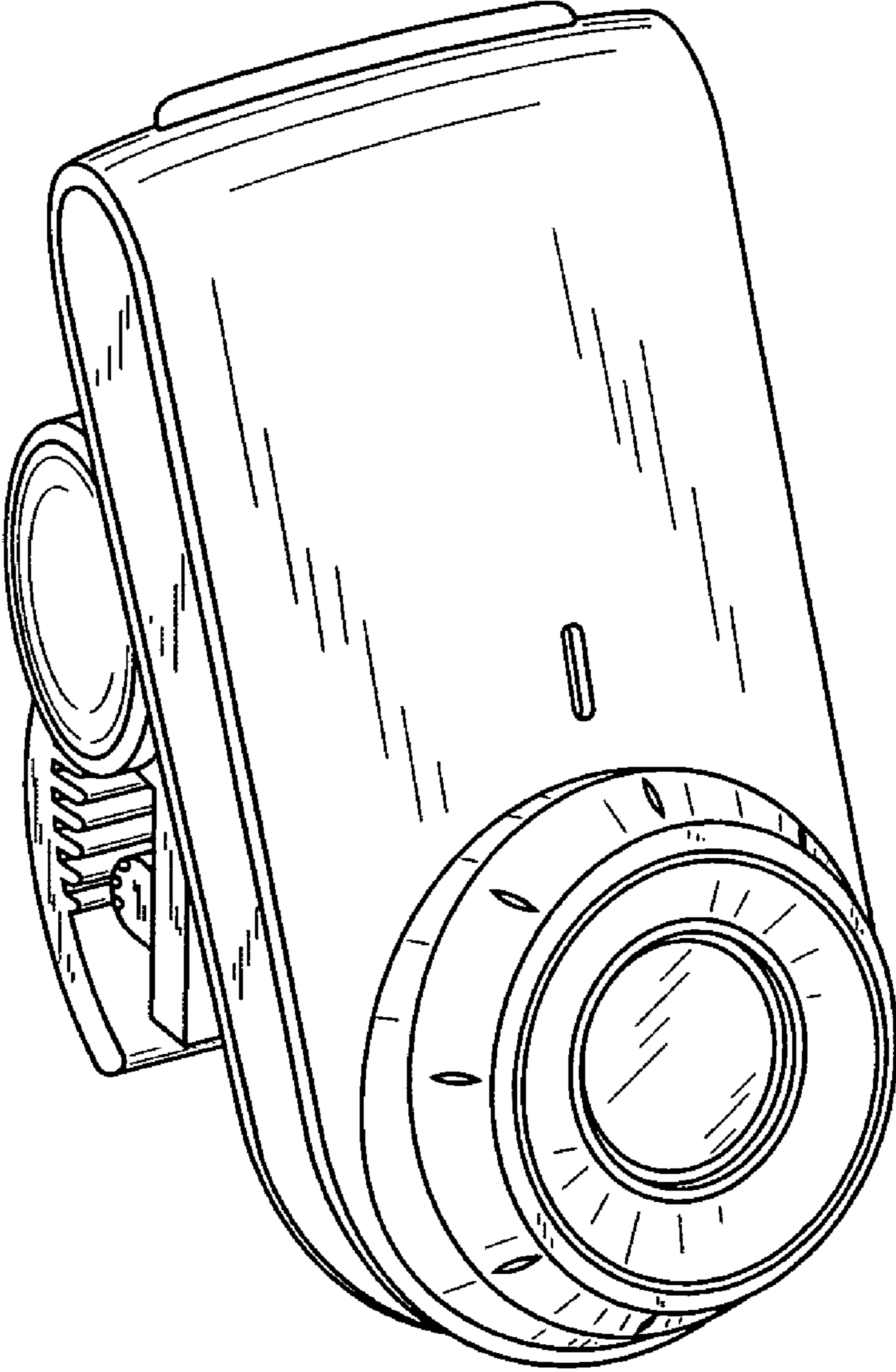


FIG. 1

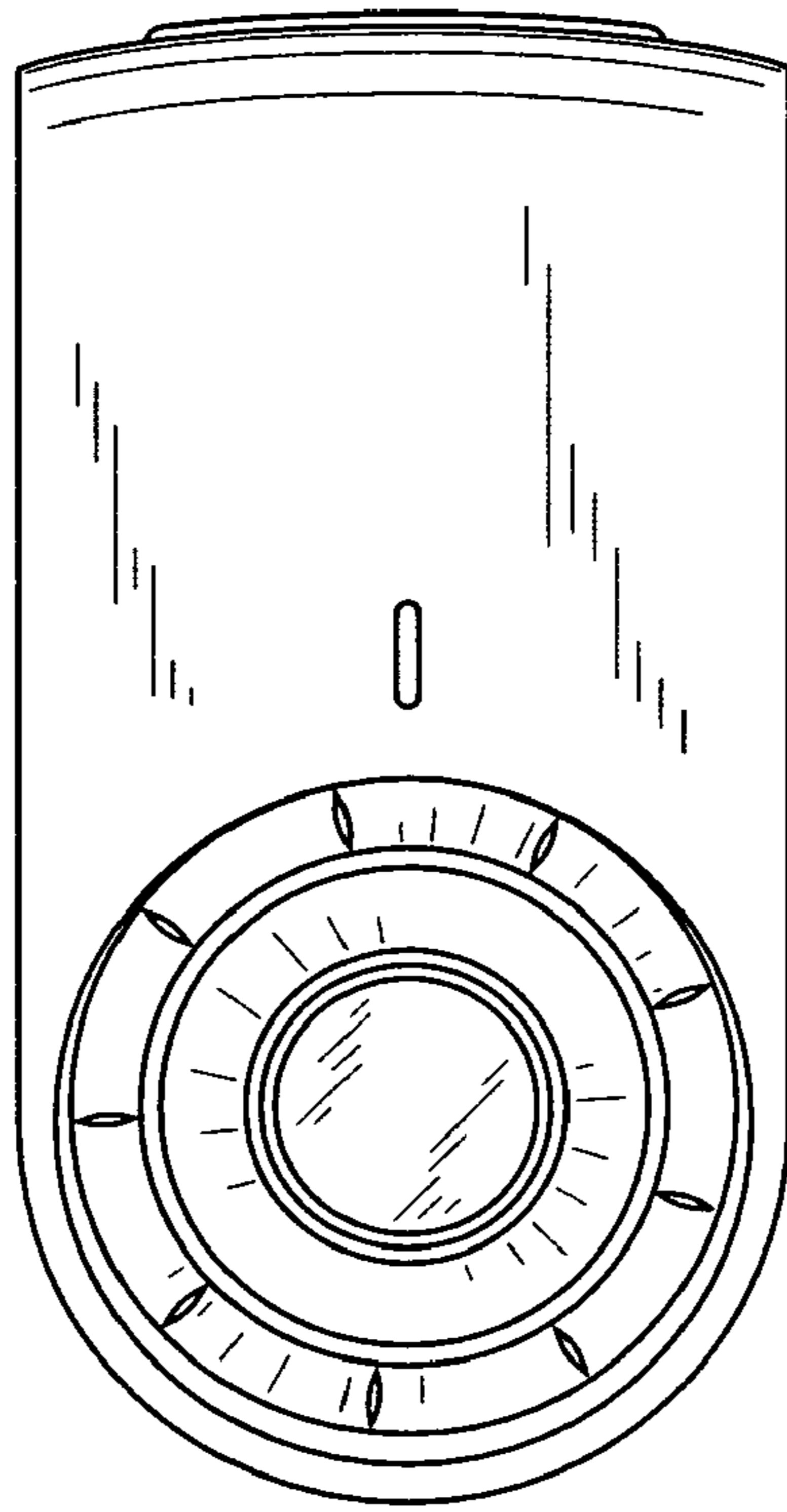


FIG. 2

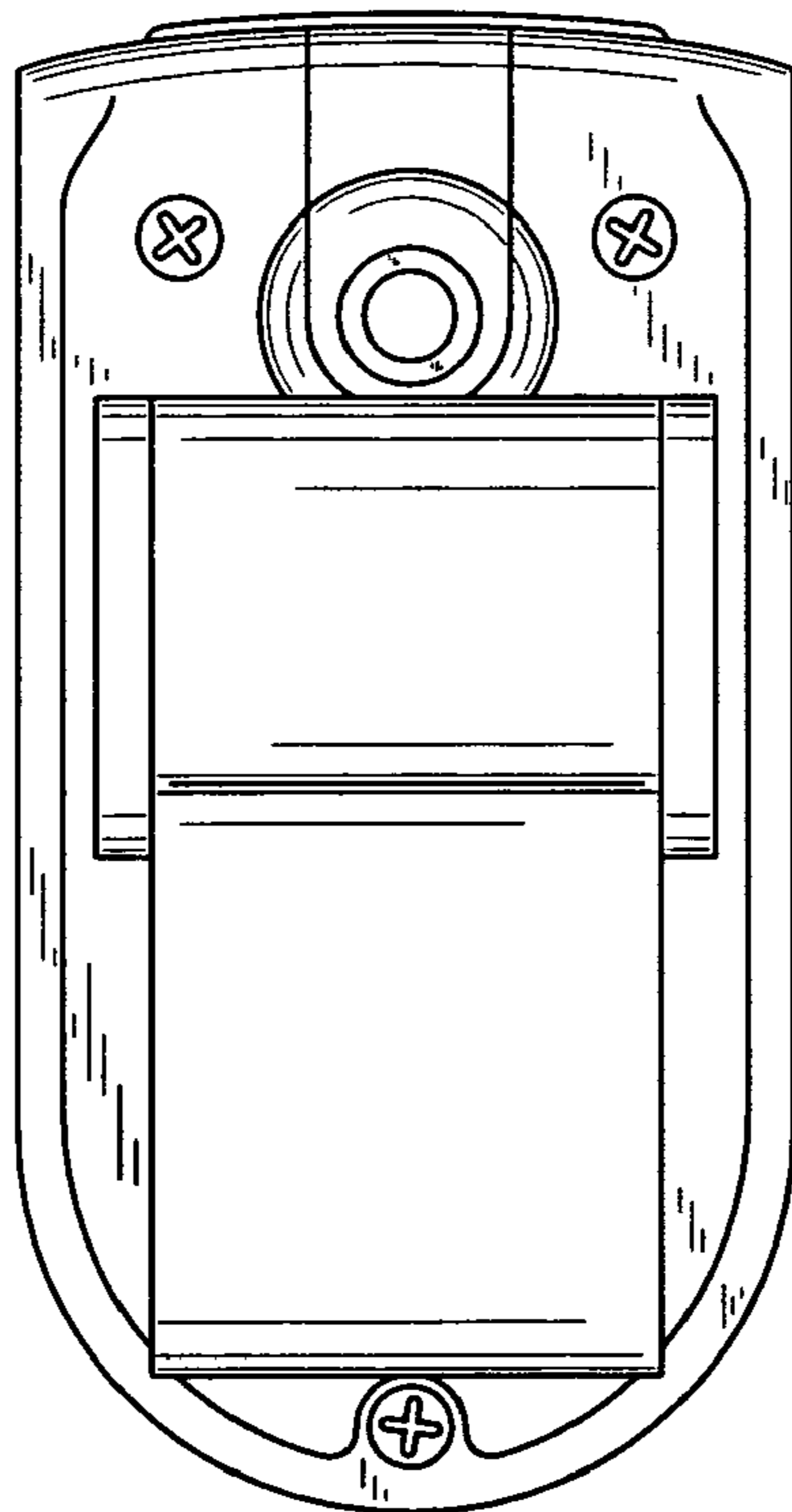


FIG. 3

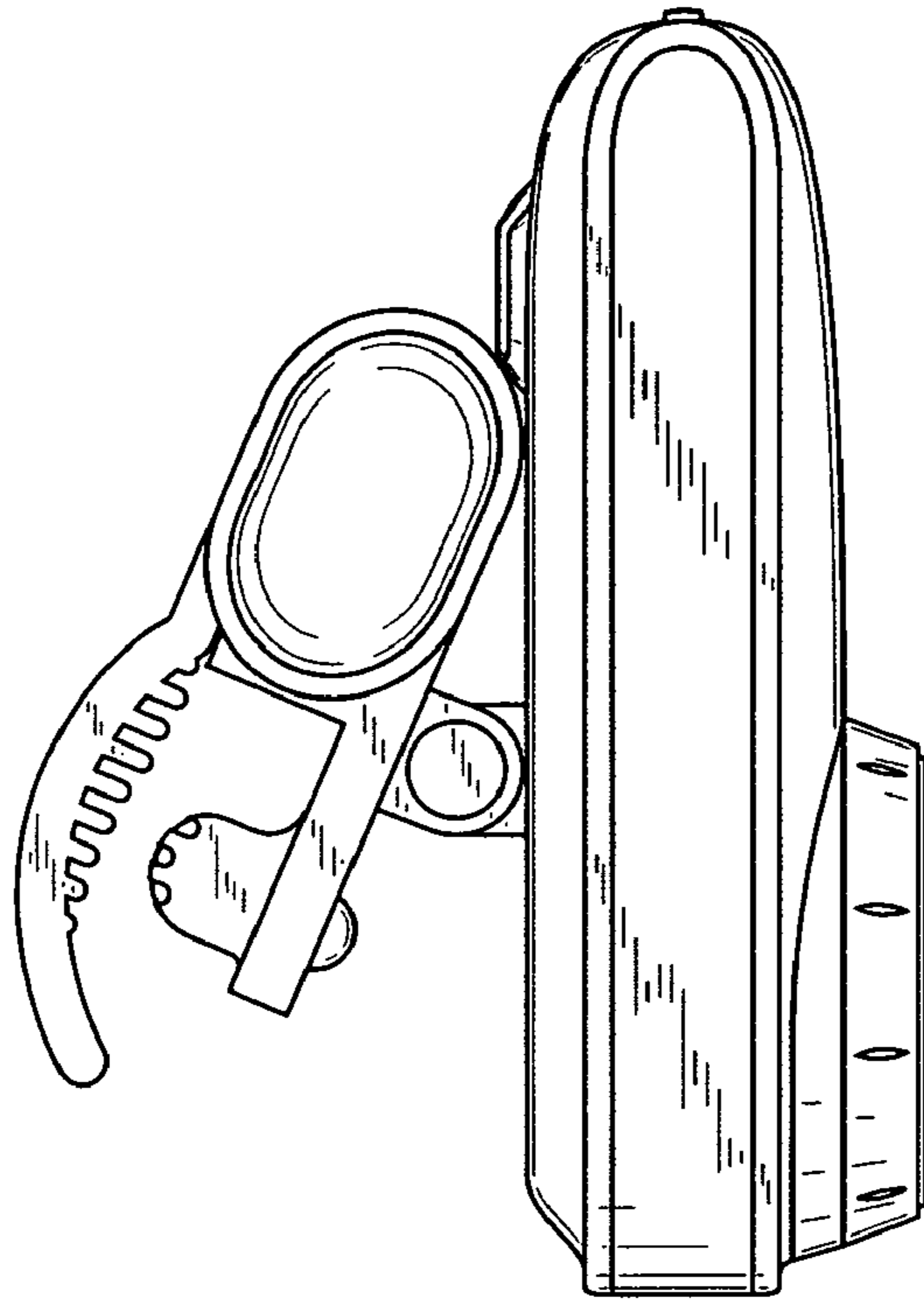


FIG. 4

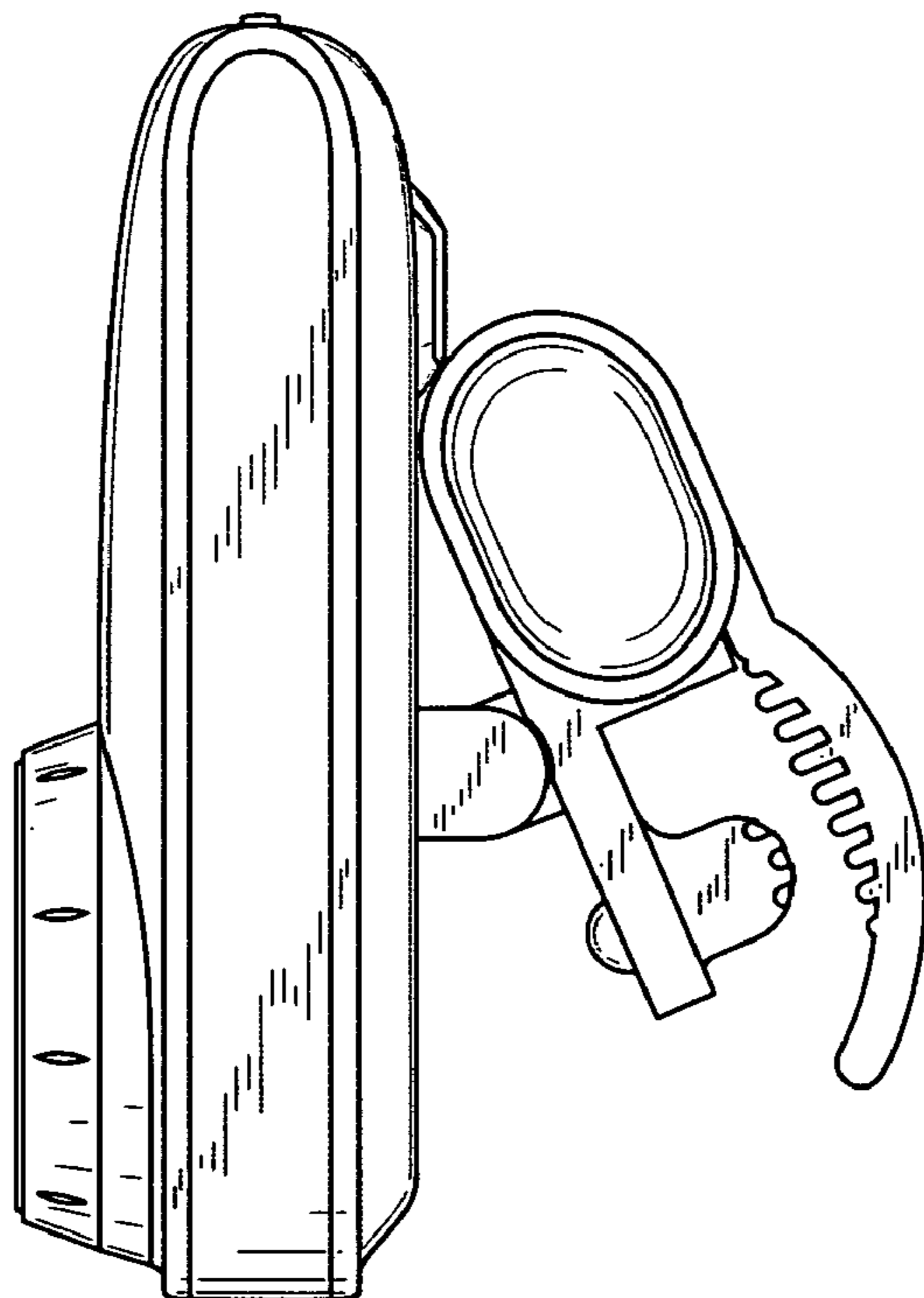


FIG. 5

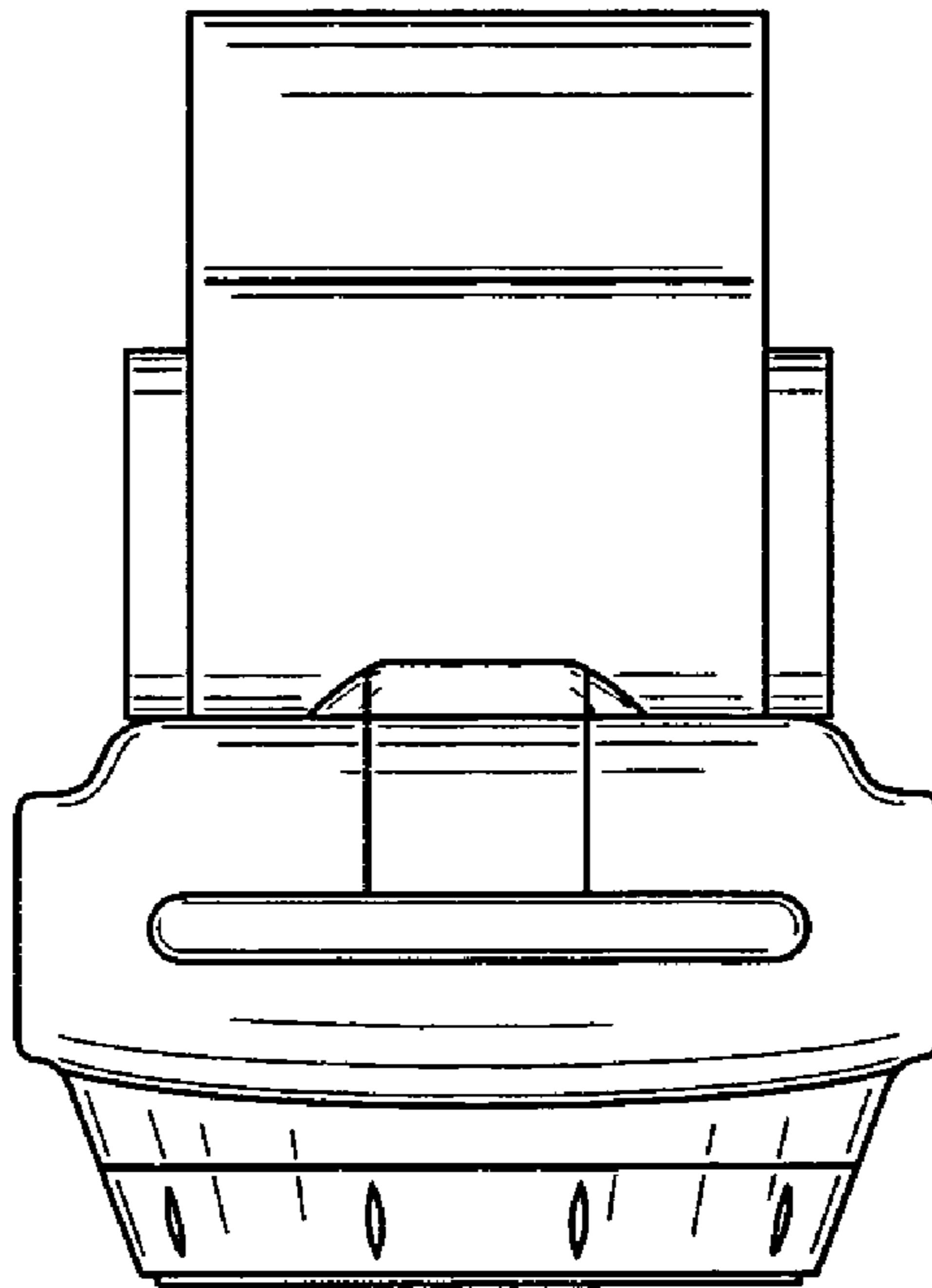


FIG. 6

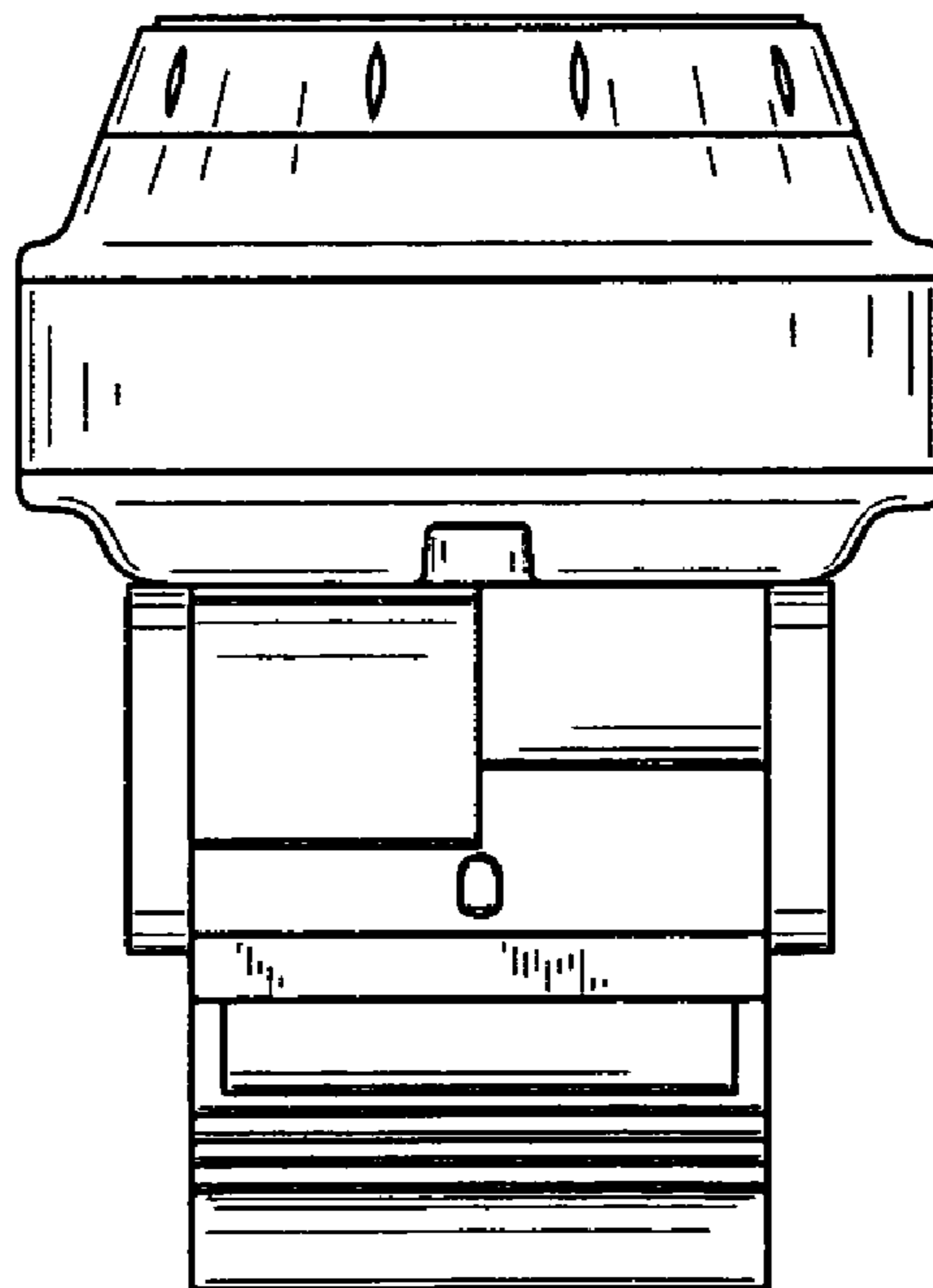


FIG. 7