

US00D564005S

(12) **United States Design Patent**
Cheng

(10) **Patent No.:** **US D564,005 S**

(45) **Date of Patent:** **** Mar. 11, 2008**

(54) **MONITOR CAMERA**

(76) **Inventor:** **Yi-Jen Cheng**, 9F, No. 21, Sec. 2,
Chorngder 2 Rd., Taichung (TW)

(**) **Term:** **14 Years**

(21) **Appl. No.:** **29/288,211**

(22) **Filed:** **Jun. 4, 2007**

(51) **LOC (8) Cl.** **16-01**

(52) **U.S. Cl.** **D16/203**

(58) **Field of Classification Search** D16/200–204,
D16/208, 218; 348/143, 373, 374–376; 396/419,
396/427, 535, 540, 541

See application file for complete search history.

(56) **References Cited**

U.S. PATENT DOCUMENTS

D349,714 S *	8/1994	Hasegawa	D16/203
D424,087 S *	5/2000	Frick et al.	D16/203
D461,485 S *	8/2002	Jones et al.	D16/203
6,735,382 B2 *	5/2004	Schneider	396/427
D542,320 S *	5/2007	Cheng	D16/203

7,217,045 B2 *	5/2007	Jones	348/373
2006/0024046 A1 *	2/2006	Jones et al.	396/427

* cited by examiner

Primary Examiner—Adir Aronovich
(74) *Attorney, Agent, or Firm*—William E. Pelton, Esq.;
Cooper & Dunham LLP

(57) **CLAIM**

The ornamental design for a monitor camera, as shown.

DESCRIPTION

FIG. 1 is a front perspective view of a monitor camera showing my new design;

FIG. 2 is a front elevational view thereof;

FIG. 3 is a rear elevational view thereof;

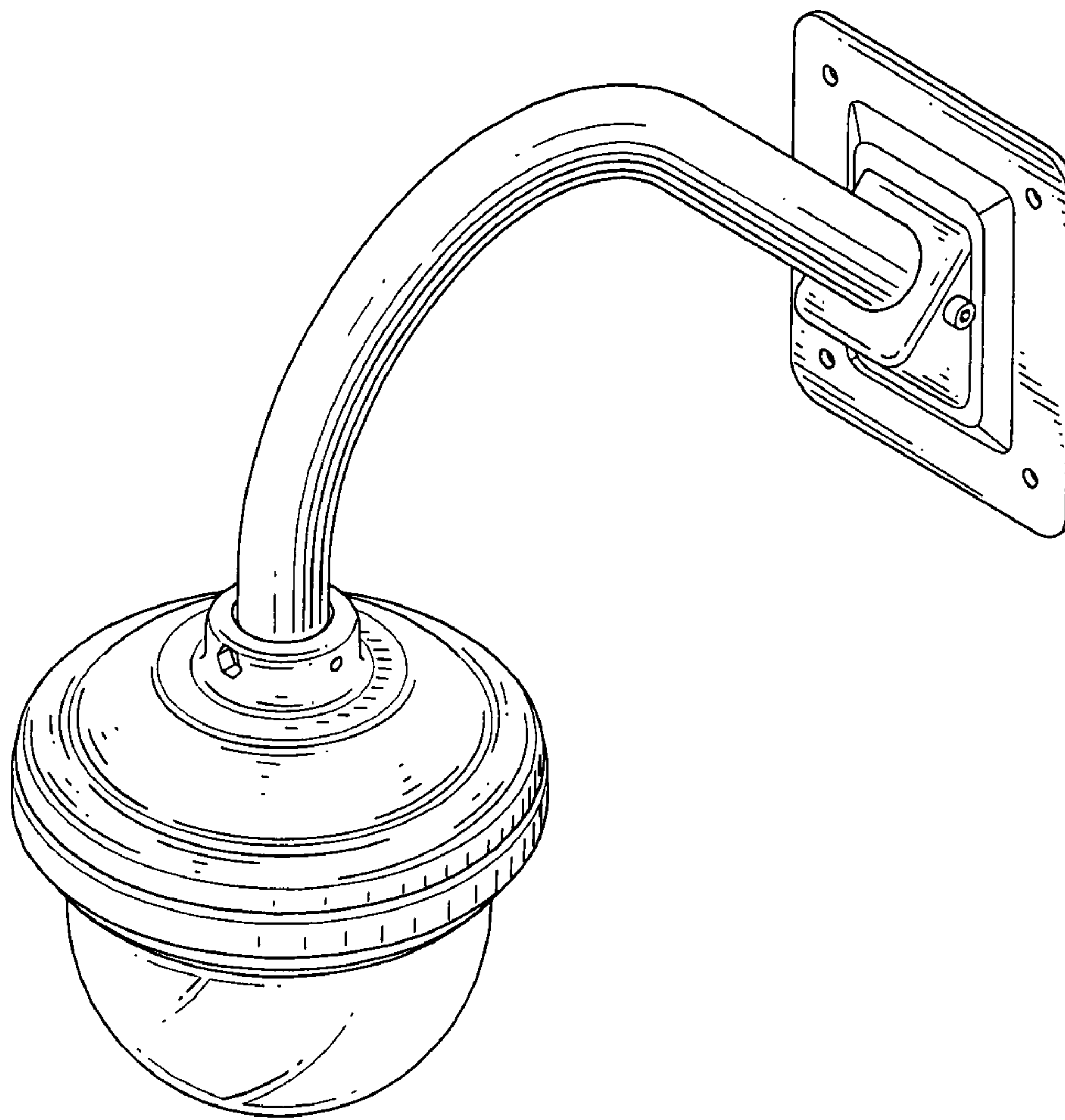
FIG. 4 is a left side elevational view thereof;

FIG. 5 is a right side elevational view thereof;

FIG. 6 is a top plan view thereof; and,

FIG. 7 is a bottom plan view thereof.

1 Claim, 4 Drawing Sheets



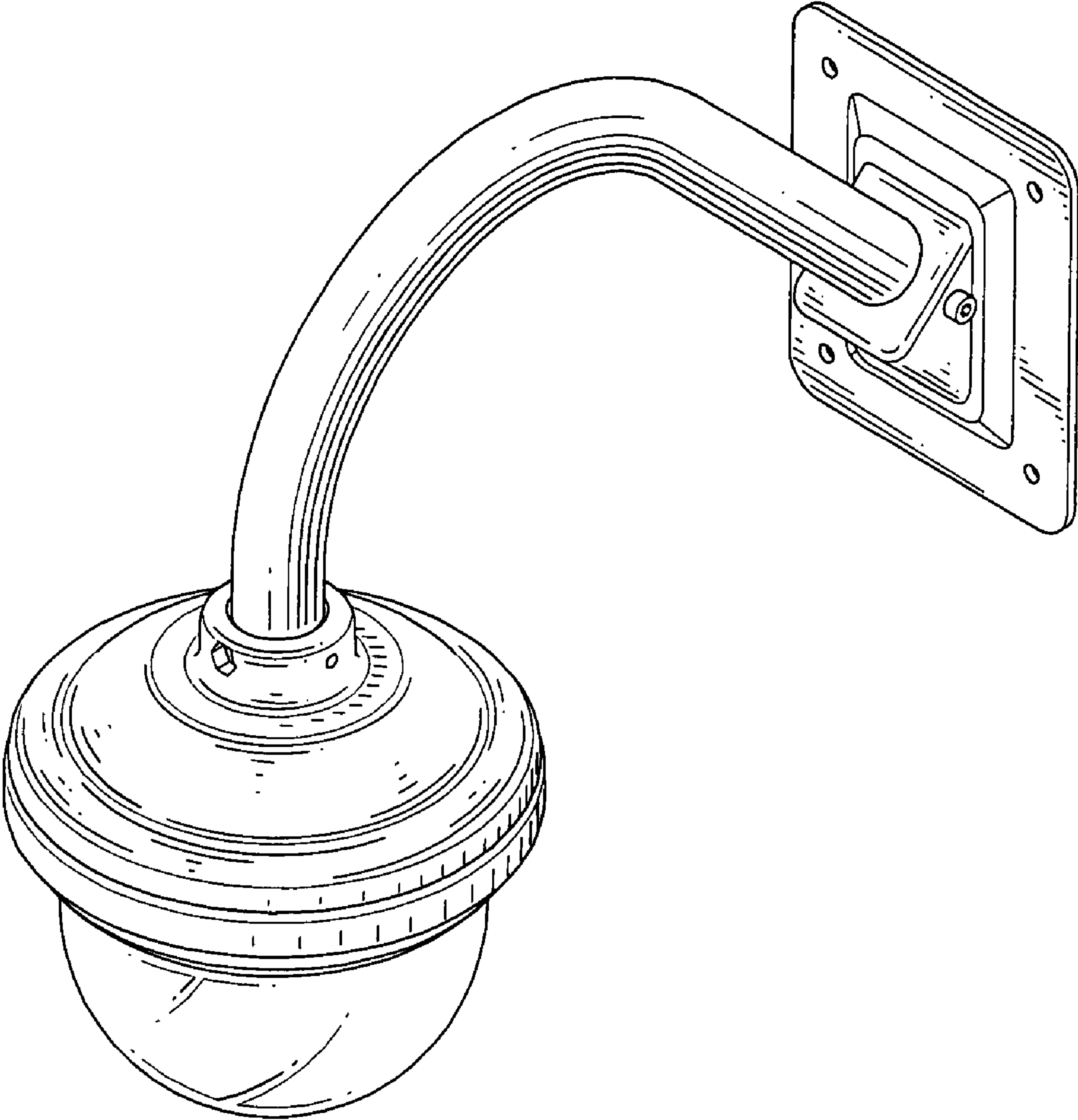


FIG.1

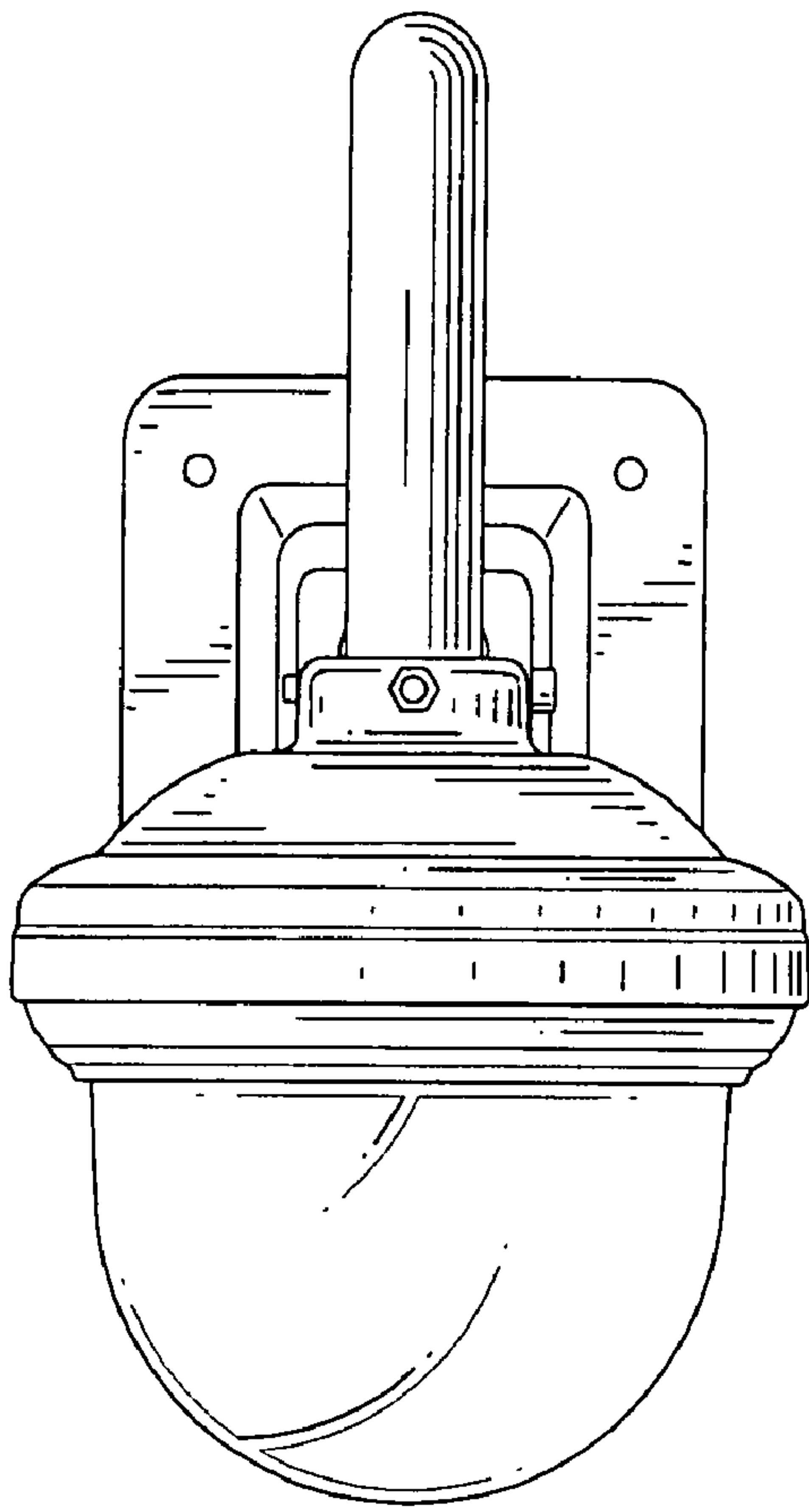


FIG. 2

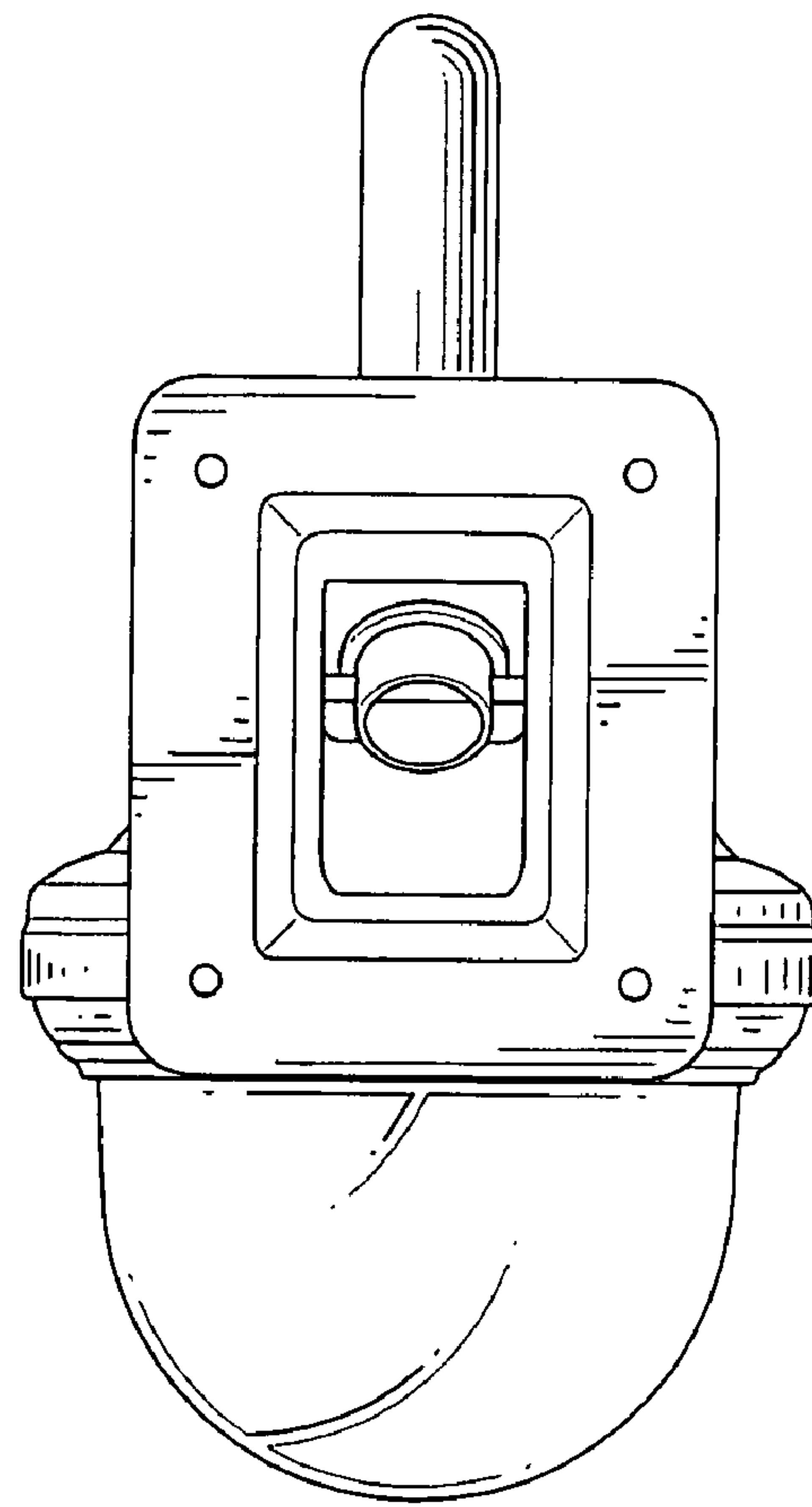


FIG. 3

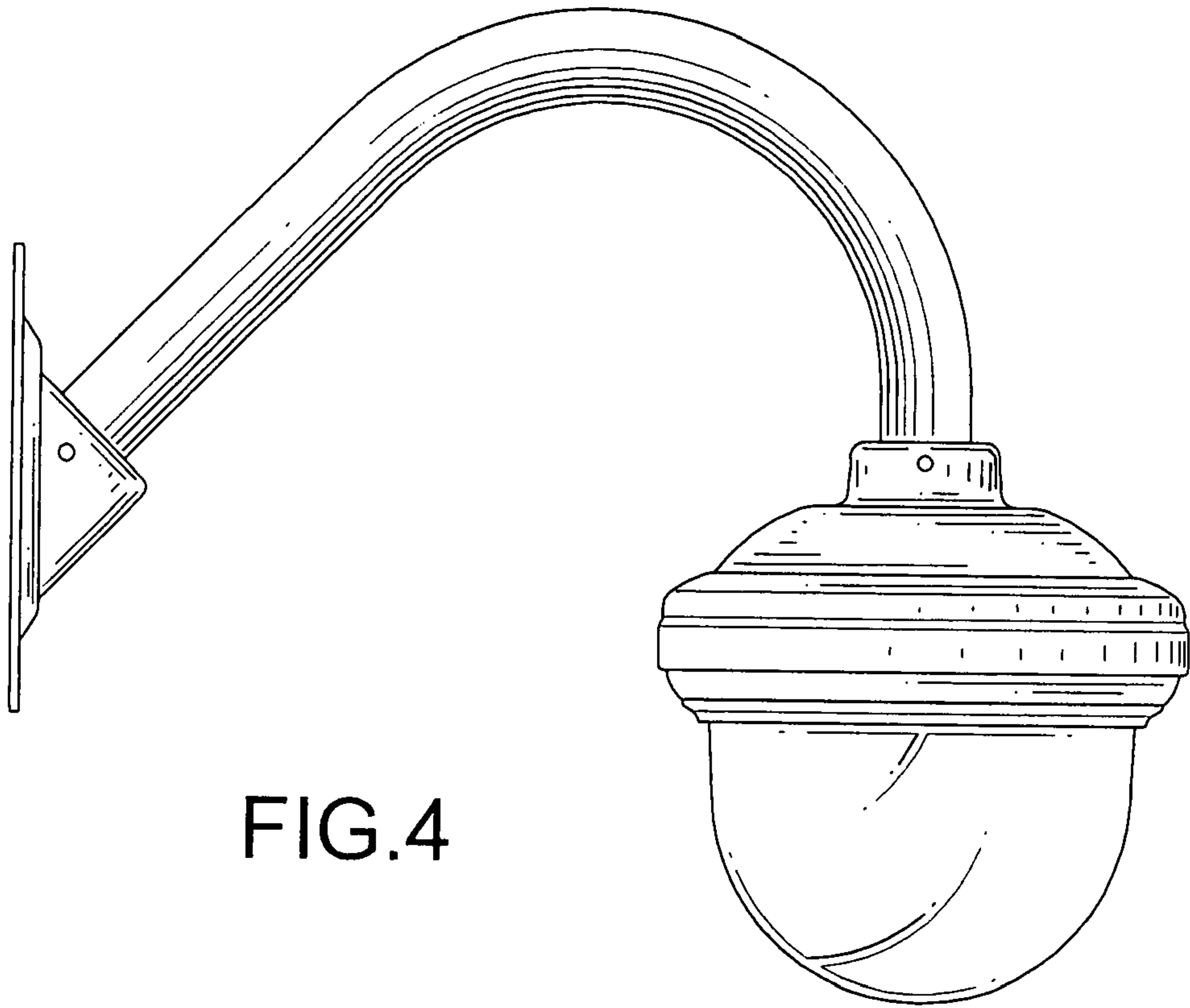


FIG. 4

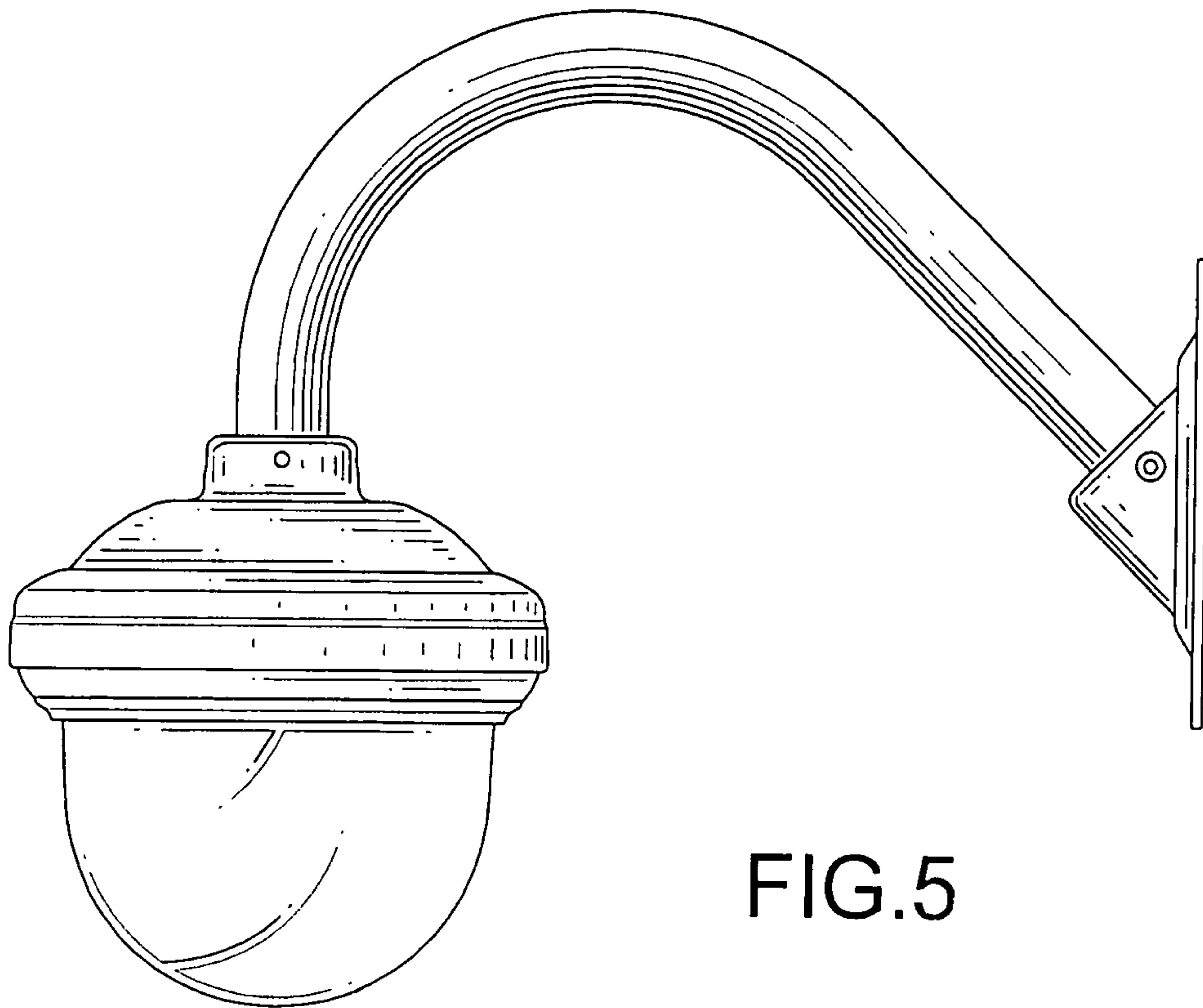


FIG. 5

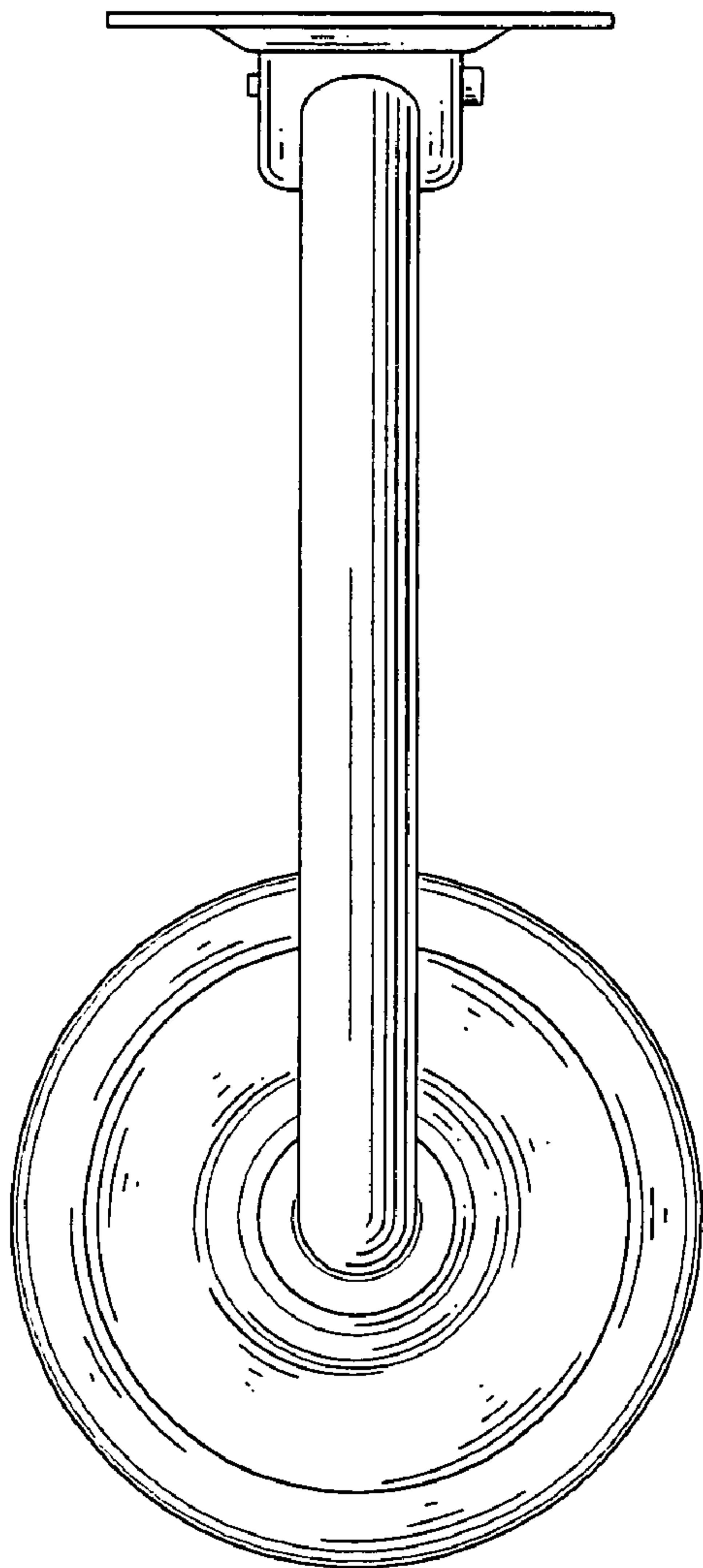


FIG. 6

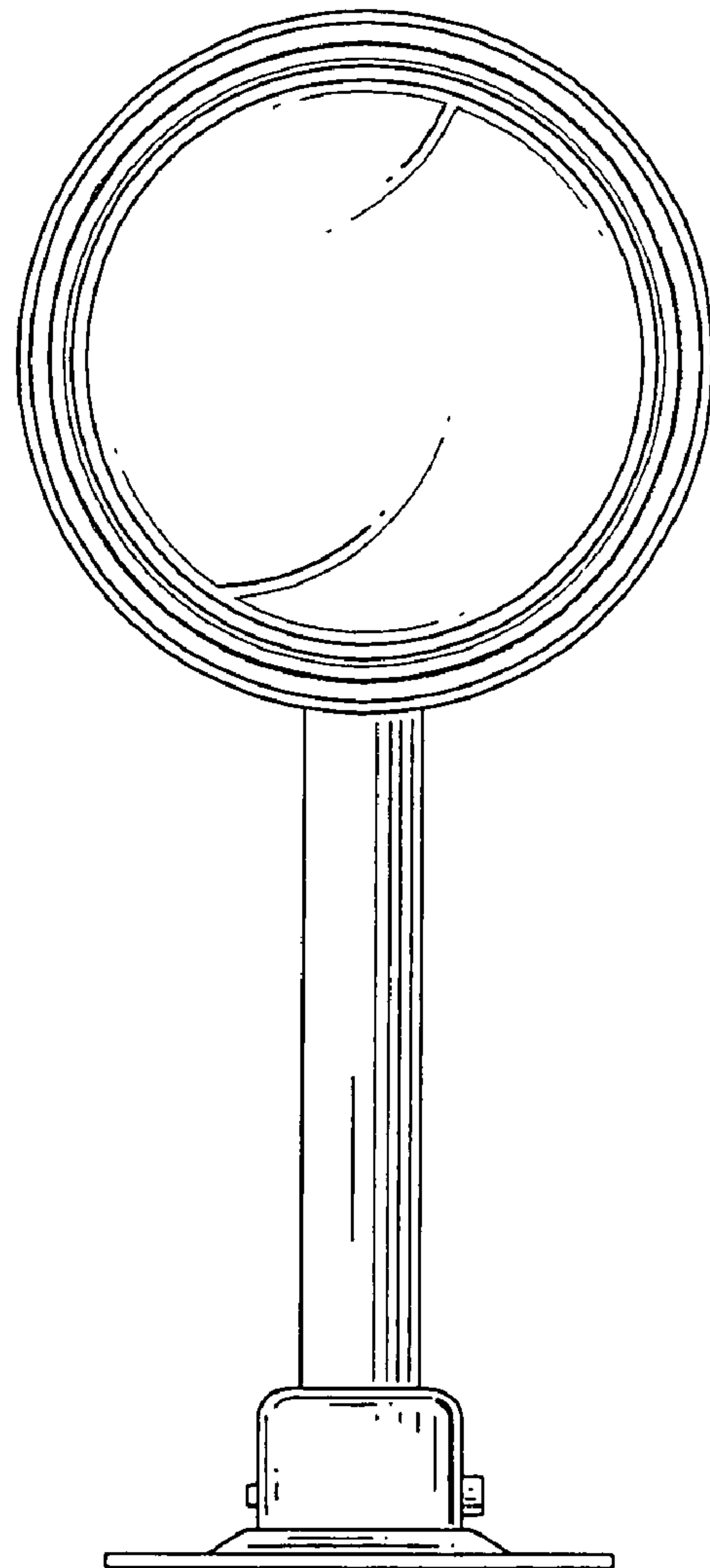


FIG. 7