

US00D564004S

(12) **United States Design Patent**
Ikeda et al.

(10) **Patent No.:** **US D564,004 S**
(45) **Date of Patent:** **** Mar. 11, 2008**

(54) **CAMERA**

(75) Inventors: **John Ikeda**, Seattle, WA (US); **Matt Day**, San Francisco, CA (US)

(73) Assignee: **Microsoft Corporation**, Redmond, WA (US)

(**) Term: **14 Years**

(21) Appl. No.: **29/275,202**

(22) Filed: **Dec. 15, 2006**

(51) **LOC (8) Cl.** **16-01**

(52) **U.S. Cl.** **D16/202**

(58) **Field of Classification Search** D16/200–206,
D16/208, 214, 219; 348/143, 151, 373–376;
396/427, 535–541; 358/909.1
See application file for complete search history.

(56) **References Cited**

U.S. PATENT DOCUMENTS

D387,789 S *	12/1997	Sumida et al.	D16/202
D396,869 S *	8/1998	Yamakawa et al.	D16/202
D447,758 S *	9/2001	Lin et al.	D16/202
D454,900 S *	3/2002	Tsang et al.	D16/202
D500,067 S *	12/2004	Liu	D16/202
D505,146 S *	5/2005	Ou	D16/203
D507,007 S *	7/2005	Sitoh et al.	D16/202
D511,181 S *	11/2005	Huang et al.	D16/202
D523,050 S *	6/2006	Bahroocha et al.	D16/202

D527,755 S *	9/2006	Wu	D16/202
D532,807 S *	11/2006	Shih	D16/203
D533,575 S *	12/2006	Reawsanguanwong et al. .	D16/202
D548,763 S *	8/2007	Boris	D16/202

* cited by examiner

Primary Examiner—Ian Simmons

Assistant Examiner—Wan Laymon

(74) *Attorney, Agent, or Firm*—Banner & Witcoff, Ltd.

(57) **CLAIM**

The ornamental design for a camera, as shown and described.

DESCRIPTION

FIG. 1 is a front perspective view of a camera showing our new design;

FIG. 2 is a front view thereof;

FIG. 3 is a rear view thereof;

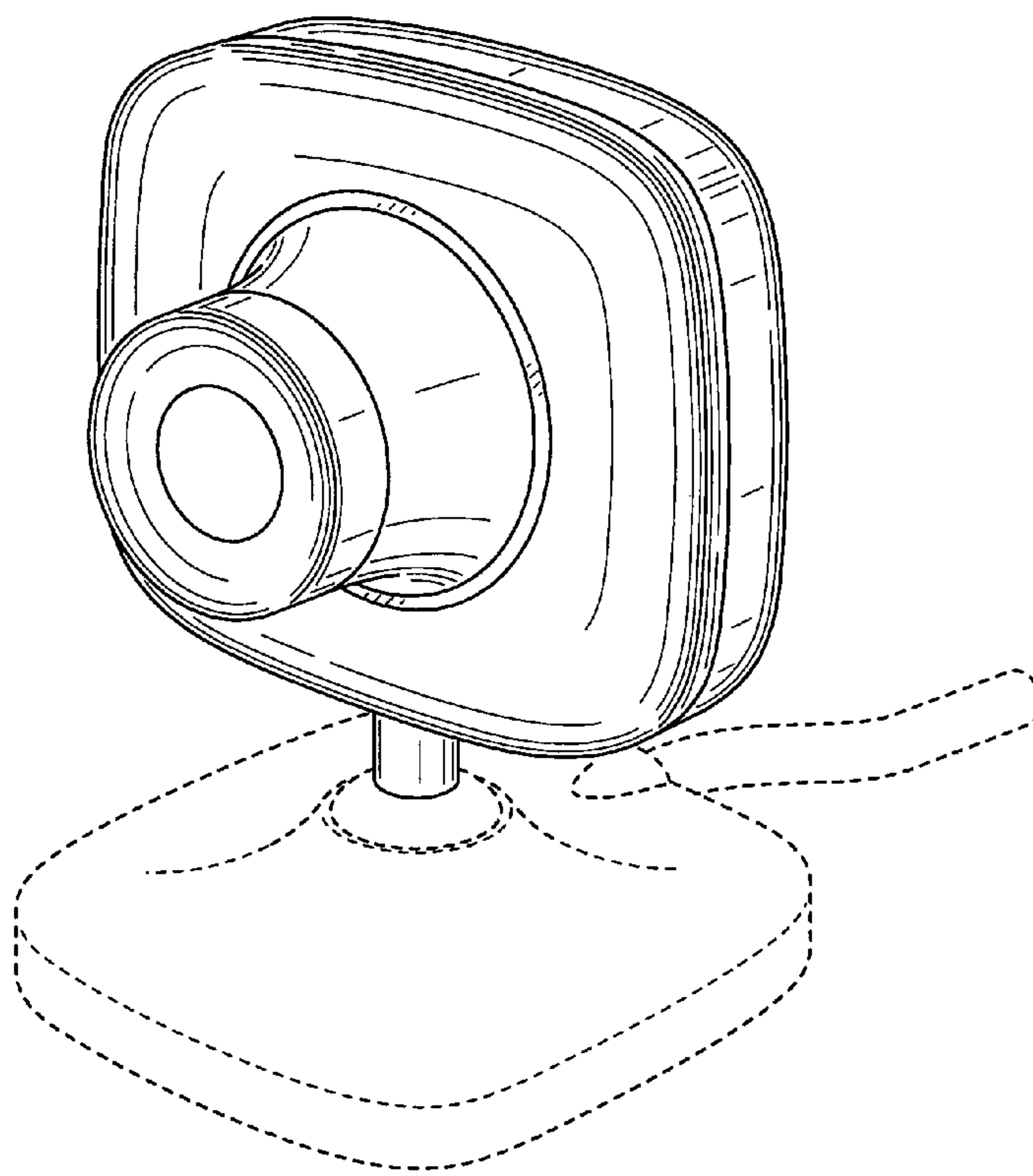
FIG. 4 is a left side view thereof;

FIG. 5 is a right side view thereof; and,

FIG. 6 is a top view thereof.

The broken line showing of the remainder of the camera is for illustrative purposes only and forms no part of the claimed design.

1 Claim, 6 Drawing Sheets



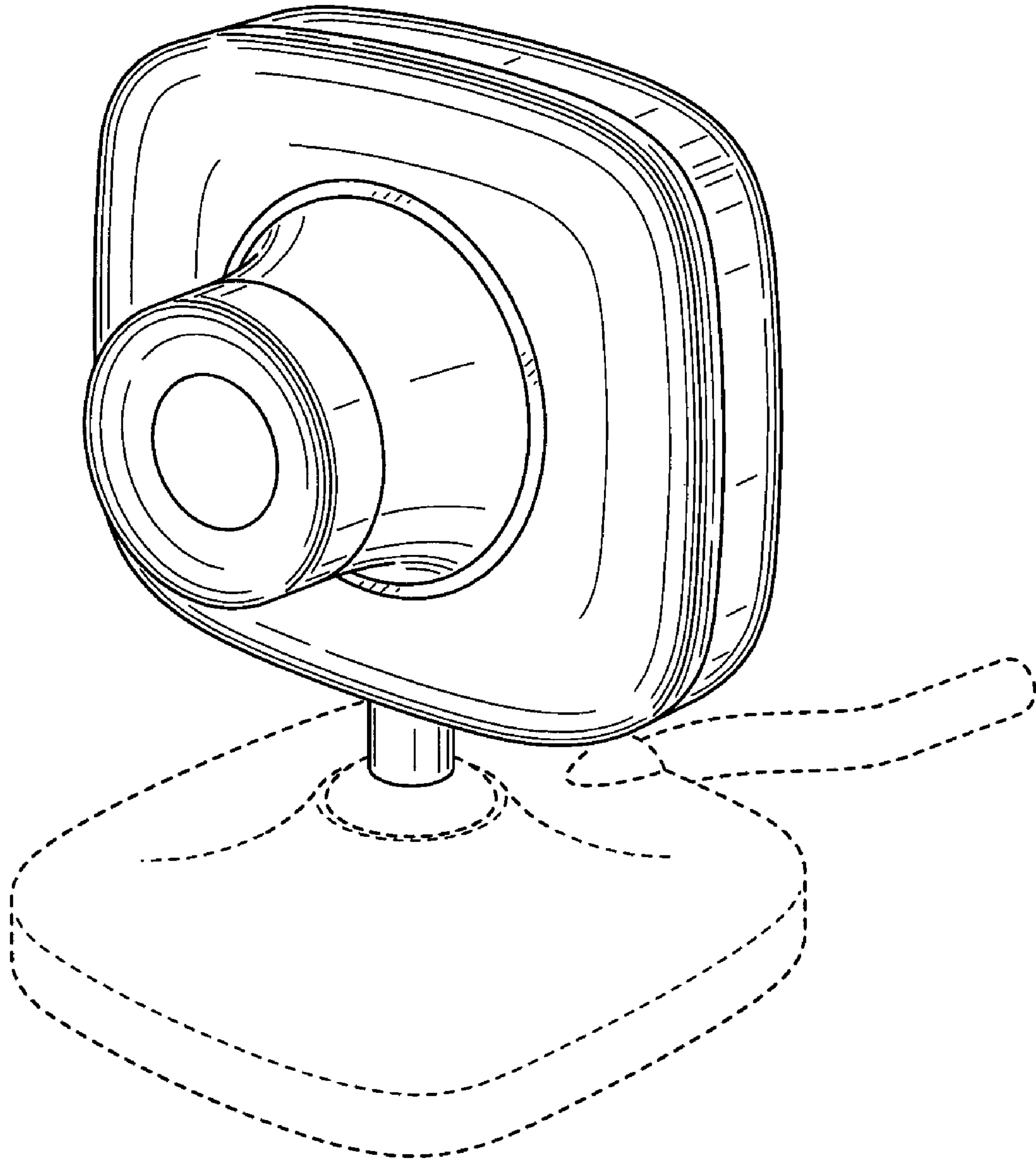


FIG. 1

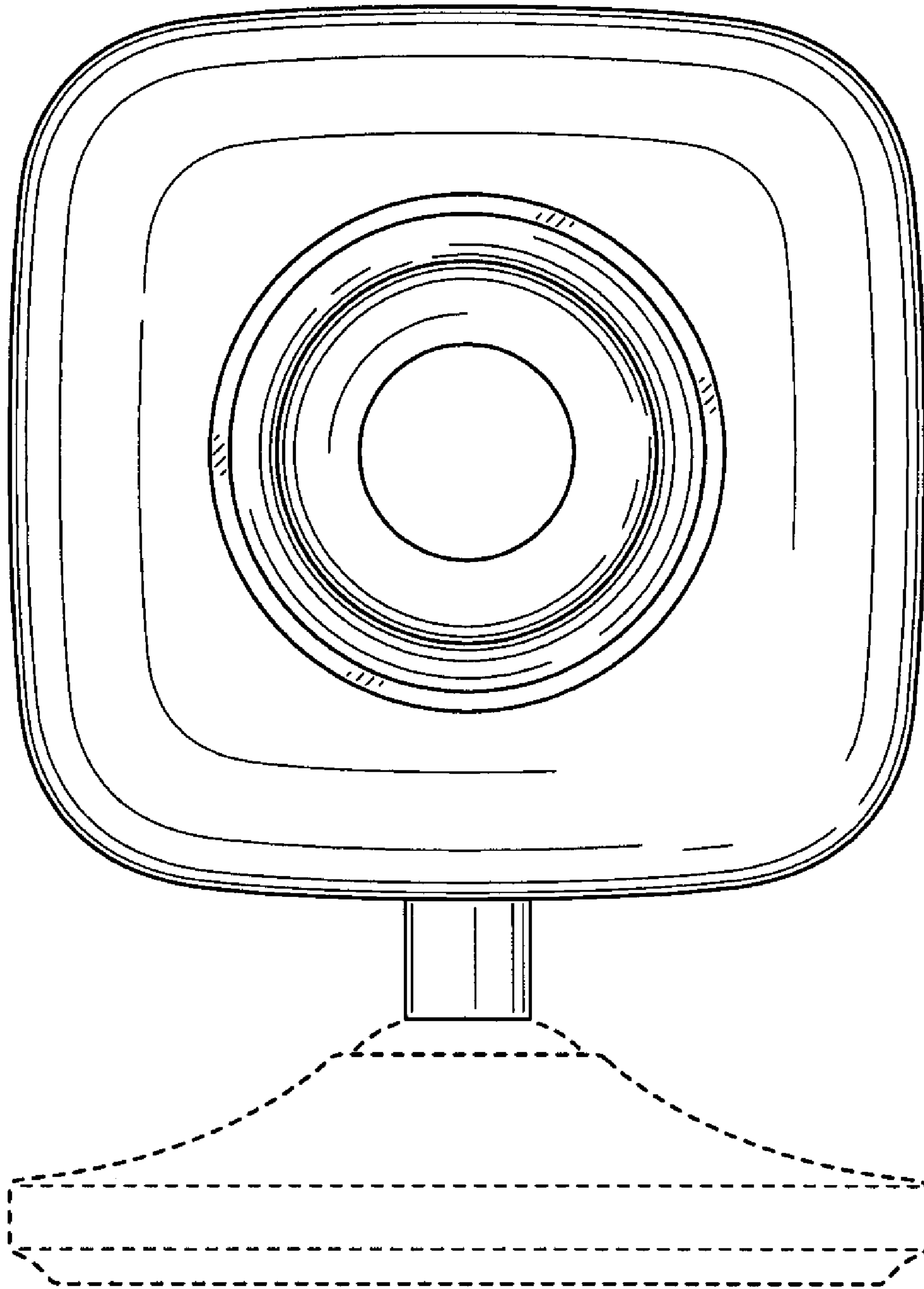


FIG. 2

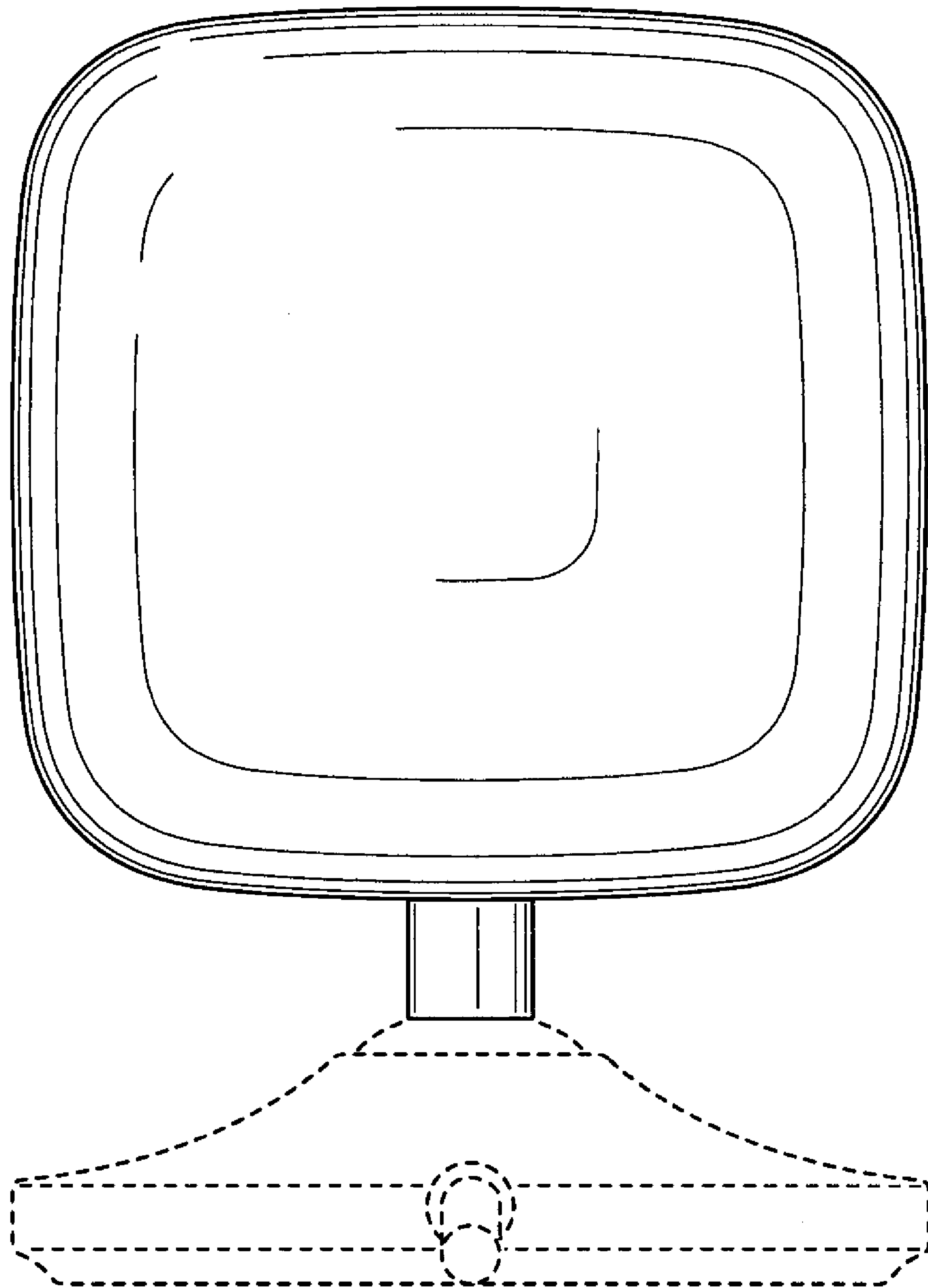


FIG. 3

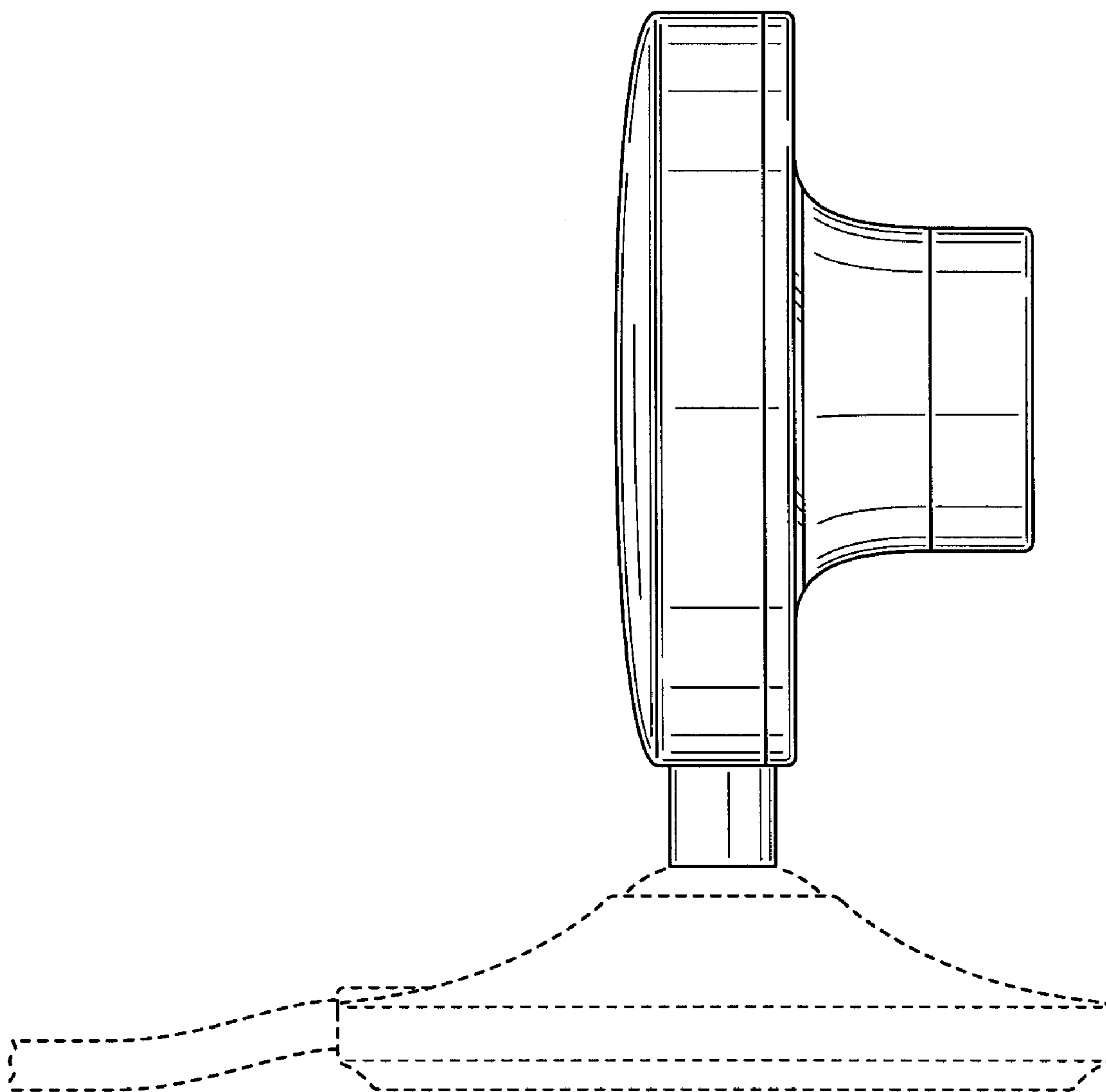


FIG. 4

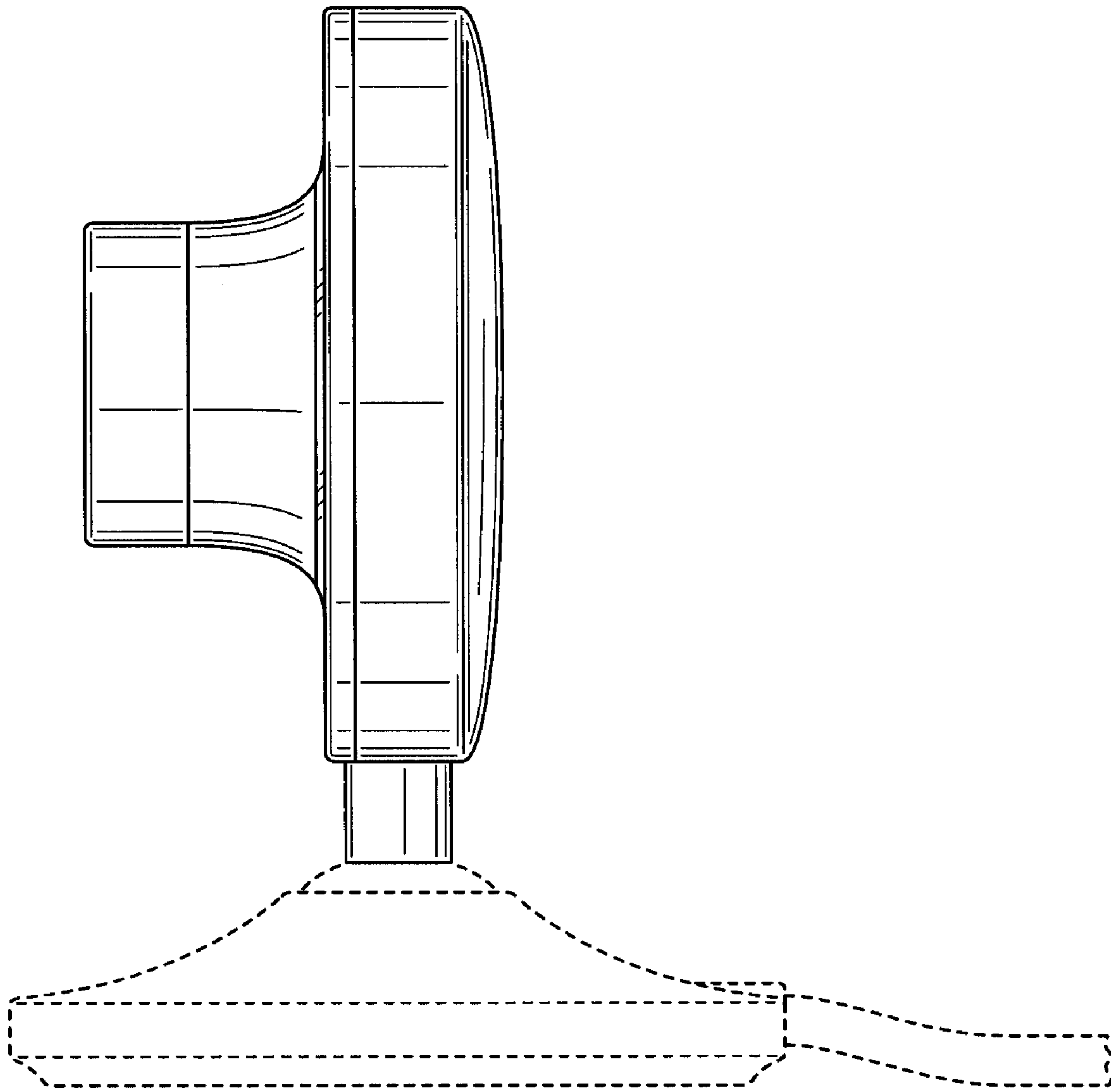


FIG. 5

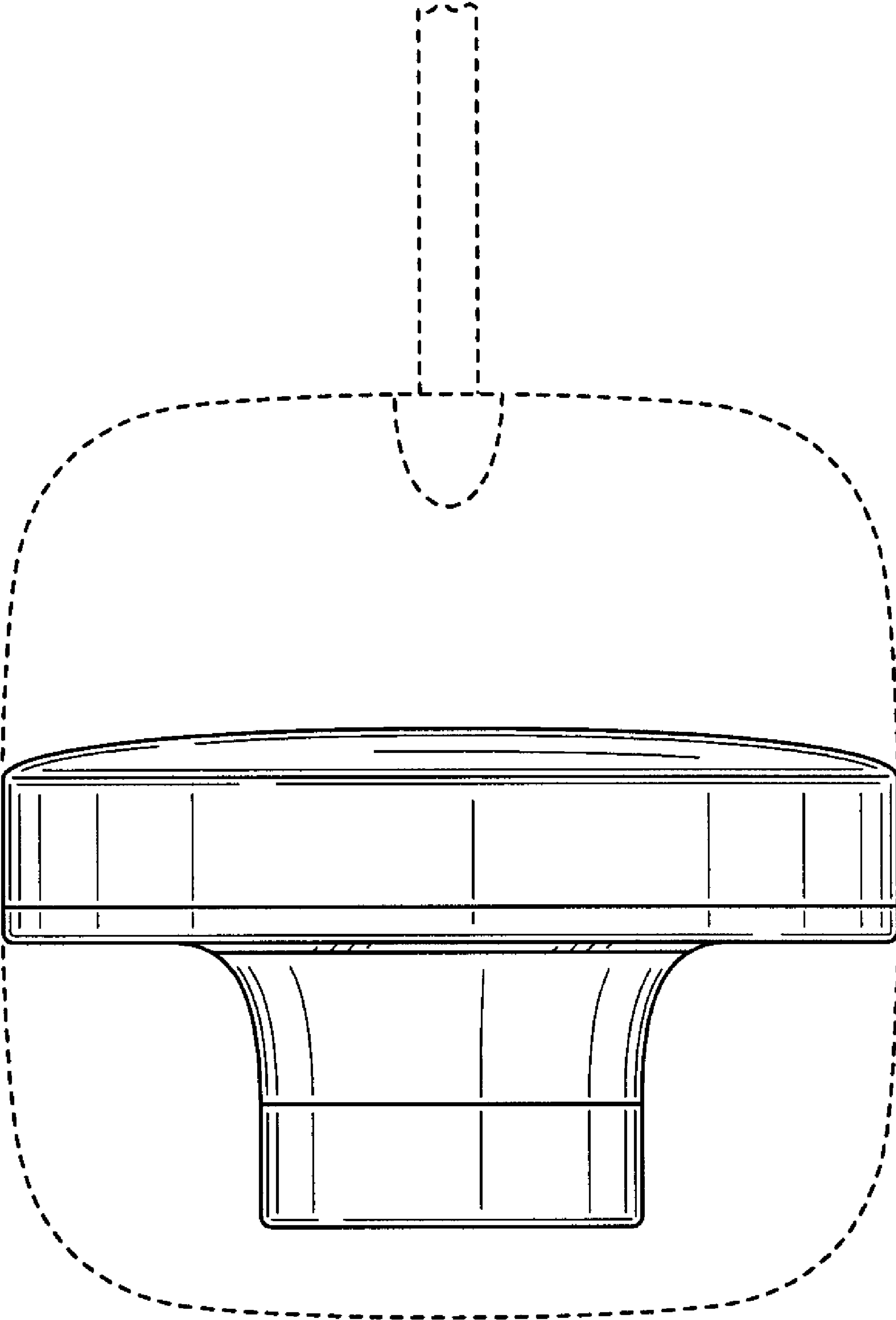


FIG. 6