

US00D564003S

(12) **United States Design Patent** (10) **Patent No.:** **US D564,003 S**
Throckmorton et al. (45) **Date of Patent:** **** Mar. 11, 2008**

(54) **CAMERA ENCLOSURE**

(75) Inventors: **John A. Throckmorton**, Waynesburg, PA (US); **Timothy A. Baily**, Waynesburg, PA (US); **Wade R. Cowell**, Waynesburg, PA (US)

(73) Assignee: **Digital Site Management LLC**, Waynesburg, PA (US)

(**) Term: **14 Years**

(21) Appl. No.: **29/243,866**

(22) Filed: **Dec. 1, 2005**

Related U.S. Application Data

(63) Continuation of application No. 11/129,583, filed on May 13, 2005.

(51) **LOC (8) Cl.** **16-01**

(52) **U.S. Cl.** **D16/200**

(58) **Field of Classification Search** D16/200–203, D16/208, 214, 218, 219; 235/383; 348/373–376; 396/535–541

See application file for complete search history.

(56) **References Cited**

U.S. PATENT DOCUMENTS

D181,162 S *	10/1957	Nassour	D16/214
D228,578 S *	10/1973	Glaros	D16/214
D312,829 S *	12/1990	Kuroki	D16/214
5,083,638 A	1/1992	Schneider	
5,426,282 A	6/1995	Humble	
5,494,136 A	2/1996	Humble	
5,747,784 A *	5/1998	Walter et al.	235/383
6,236,736 B1	5/2001	Crabtree et al.	
6,263,088 B1	7/2001	Crabtree et al.	
6,296,184 B1	10/2001	Dejaeger	
6,343,739 B1	2/2002	Lippert	

6,354,497 B1	3/2002	Lippert et al.	
6,427,915 B1	8/2002	Wike, Jr. et al.	
6,530,520 B1	3/2003	Snyder et al.	
6,540,137 B1	4/2003	Forsythe et al.	
6,550,583 B1	4/2003	Brenhouse	
6,598,791 B2 *	7/2003	Bellis et al.	235/383
6,722,473 B1	4/2004	Ramachandran et al.	
6,726,101 B1	4/2004	McIntyre et al.	

* cited by examiner

Primary Examiner—Adir Aronovich

(74) *Attorney, Agent, or Firm*—The Webb Law Firm, P.C.

(57) **CLAIM**

The ornamental design for a camera enclosure, as shown and described.

DESCRIPTION

FIG. 1 is a front elevational view of a camera enclosure according to the present invention;

FIG. 2 is a rear elevational view of the camera enclosure of FIG. 1;

FIG. 3 is a side elevational view of the camera enclosure of FIG. 1;

FIG. 4 is a side elevational view of the camera enclosure, opposite of that shown in FIG. 3;

FIG. 5 is a top plan view of the camera enclosure of FIG. 1;

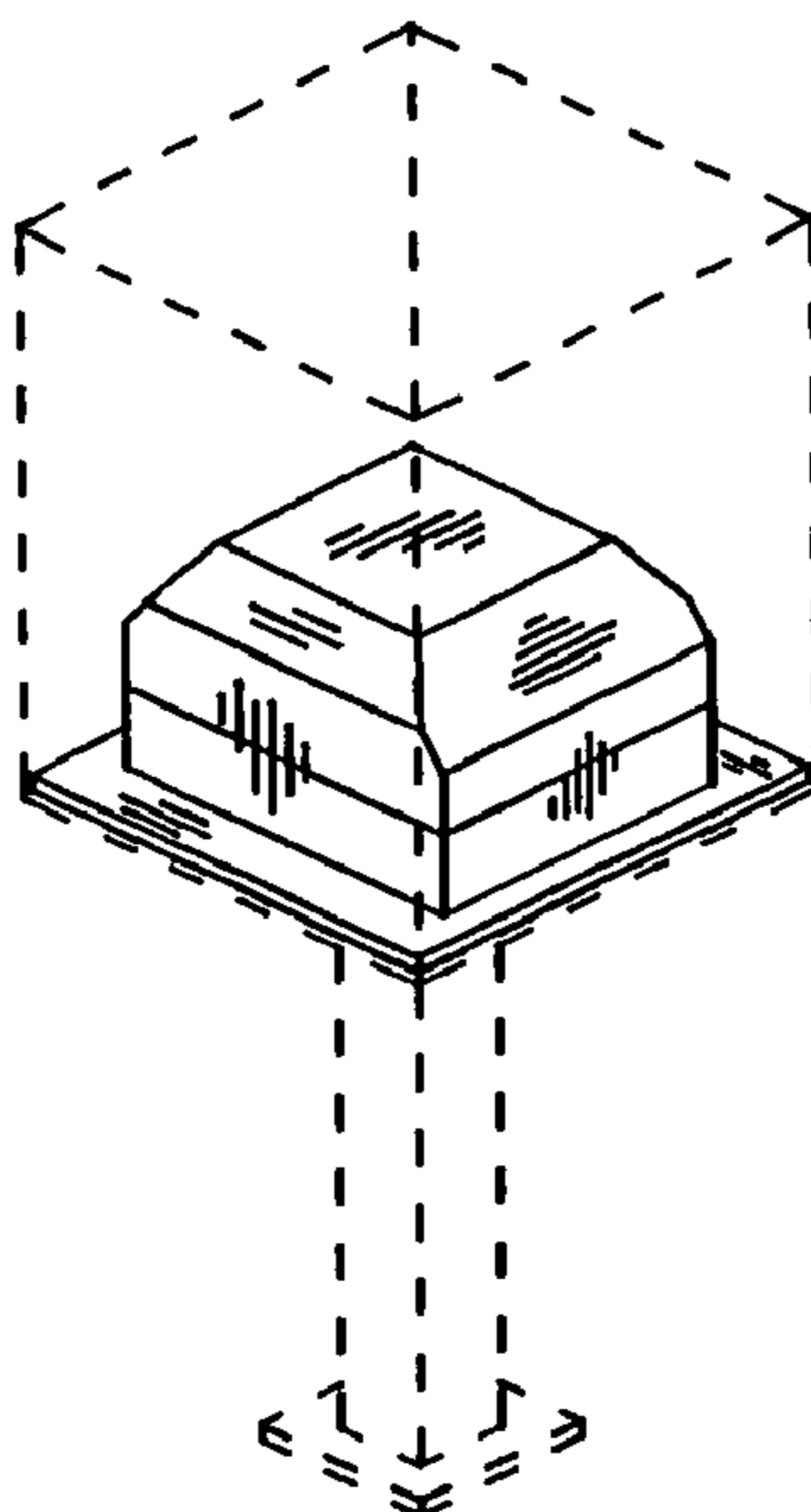
FIG. 6 is a bottom plan view of the camera enclosure of FIG. 1;

FIG. 7 is a bottom perspective view of the camera enclosure of FIG. 1; and,

FIG. 8 is a top perspective view of the camera enclosure of FIG. 1.

The broken lines are included to show environment only and form no part of the claimed design.

1 Claim, 1 Drawing Sheet



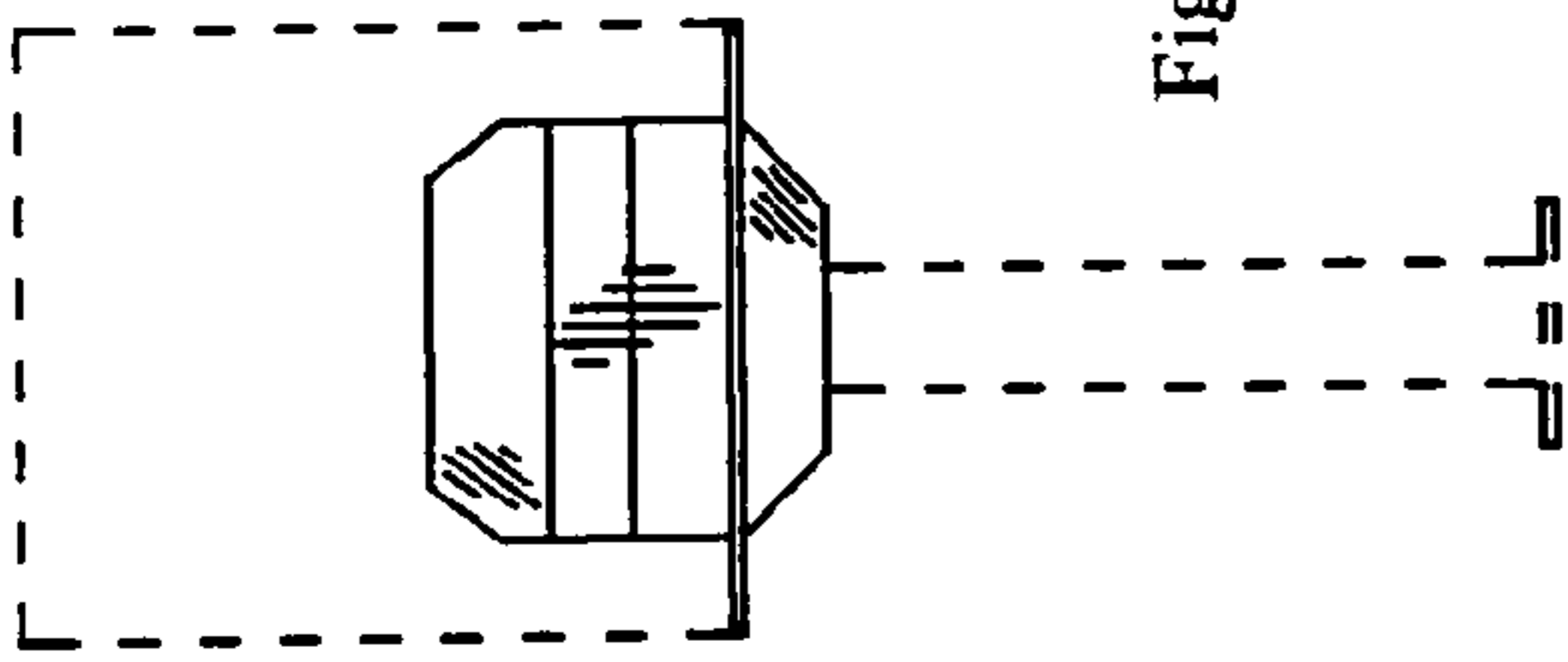


Fig. 1

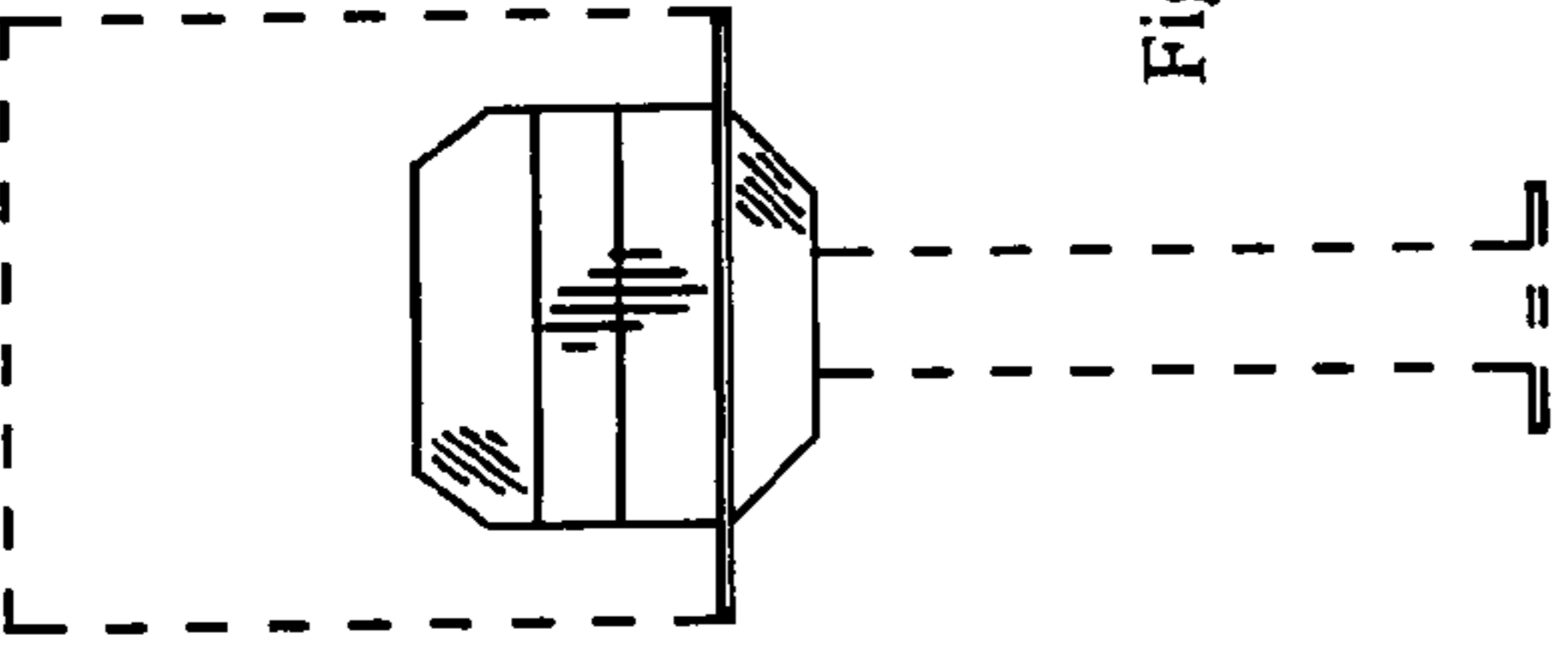


Fig. 2

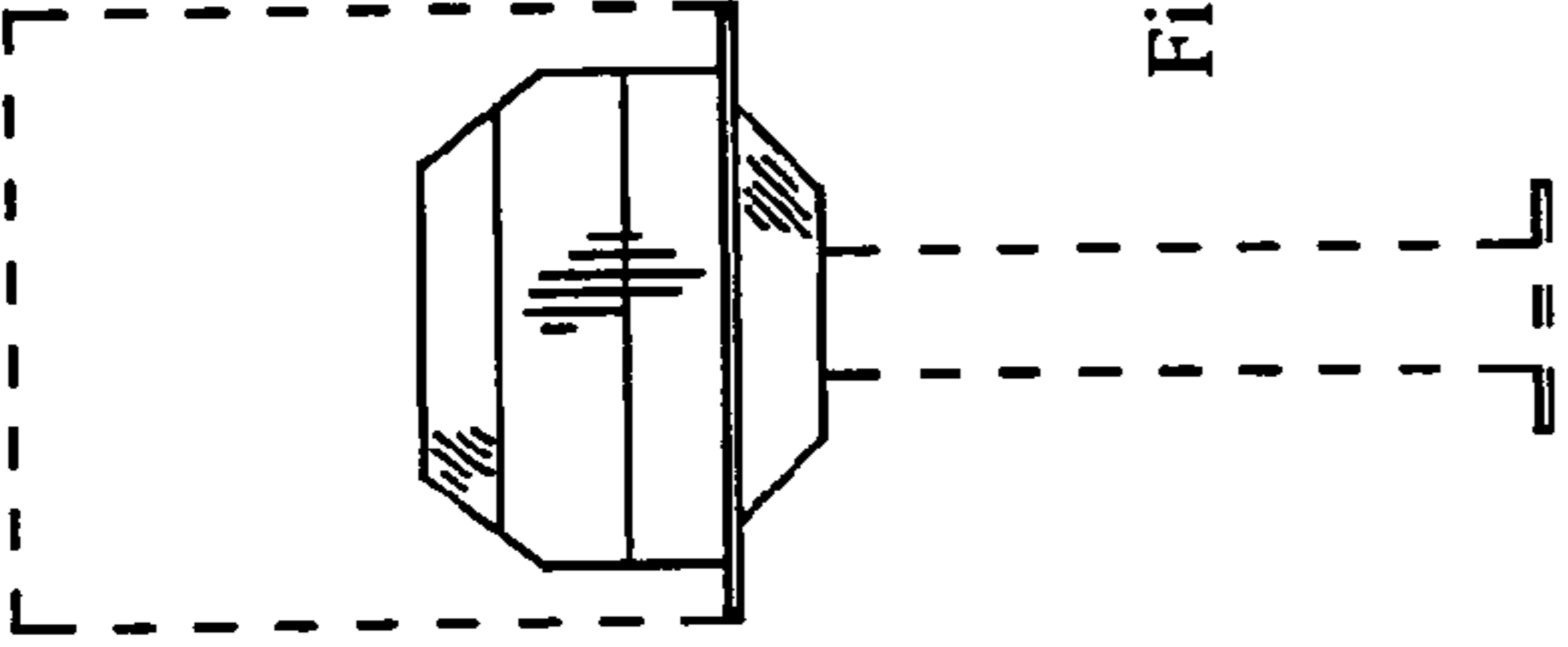


Fig. 3

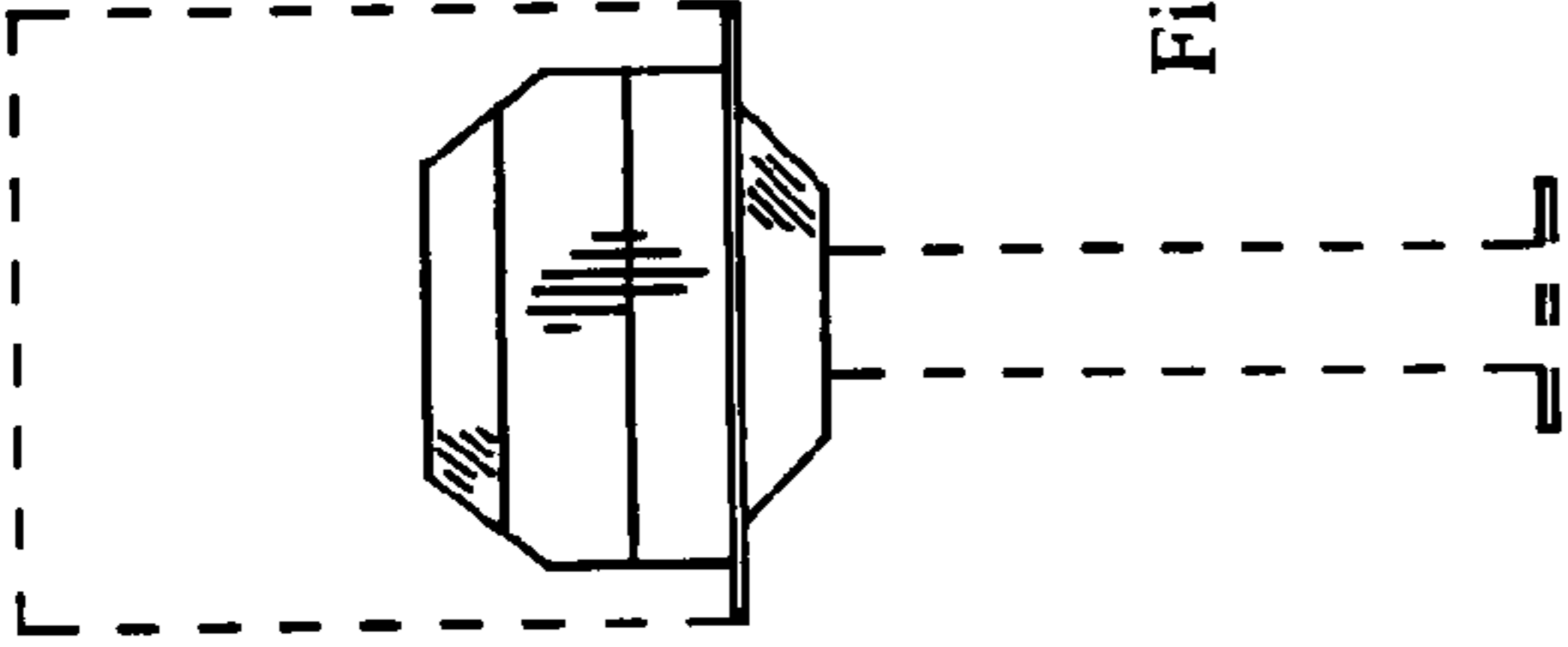


Fig. 4

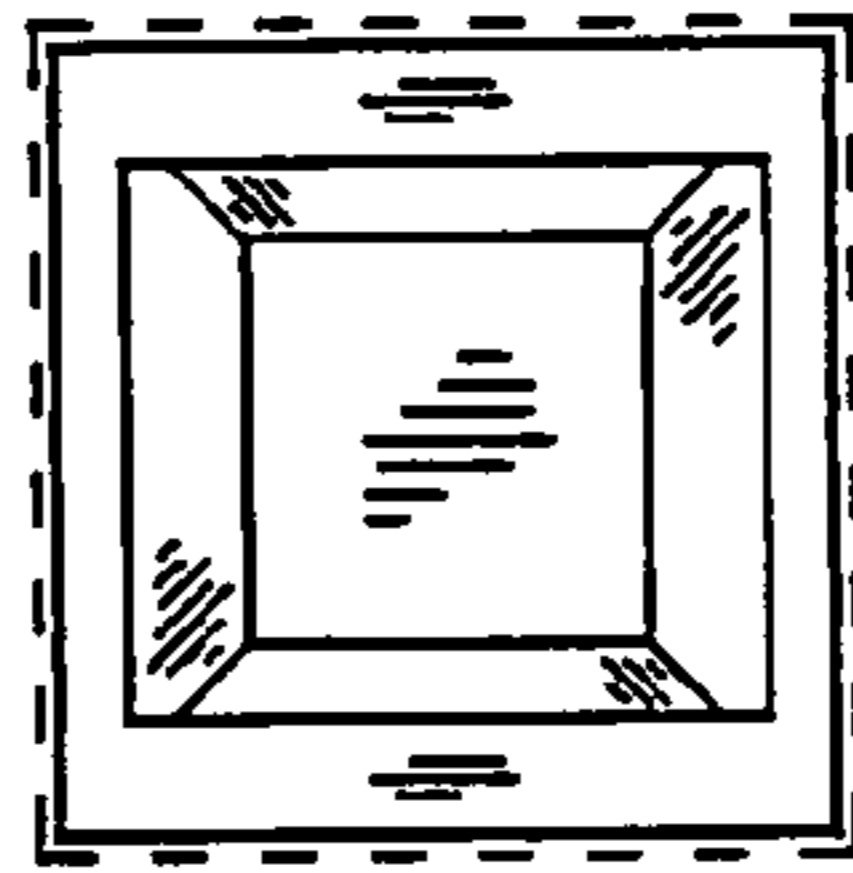


Fig. 5

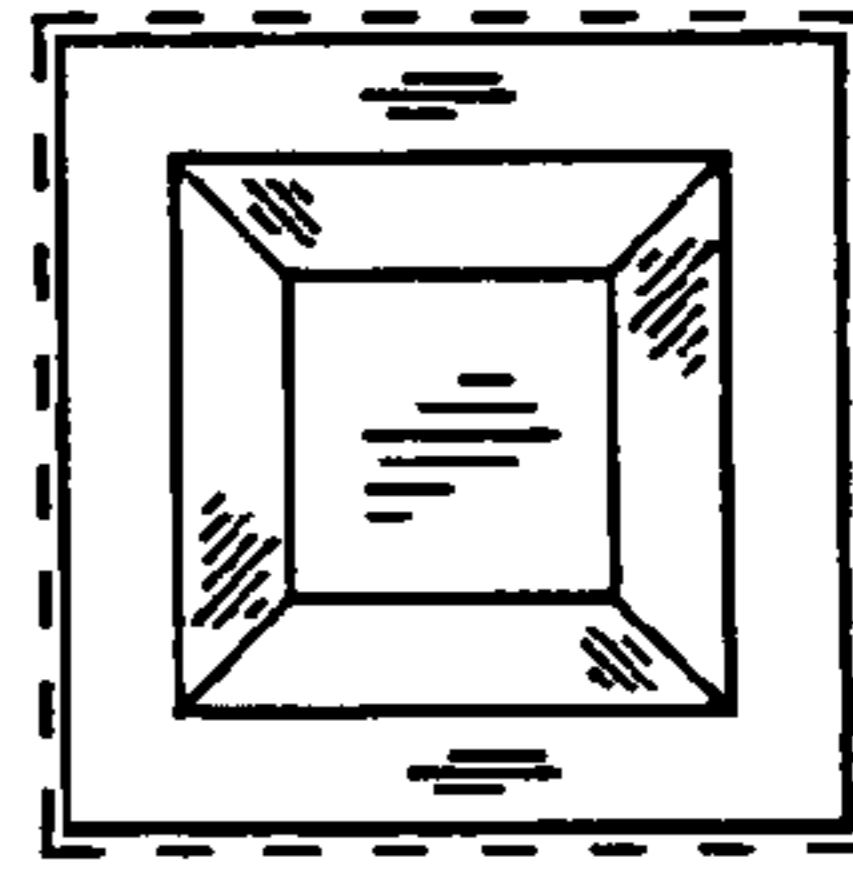


Fig. 6

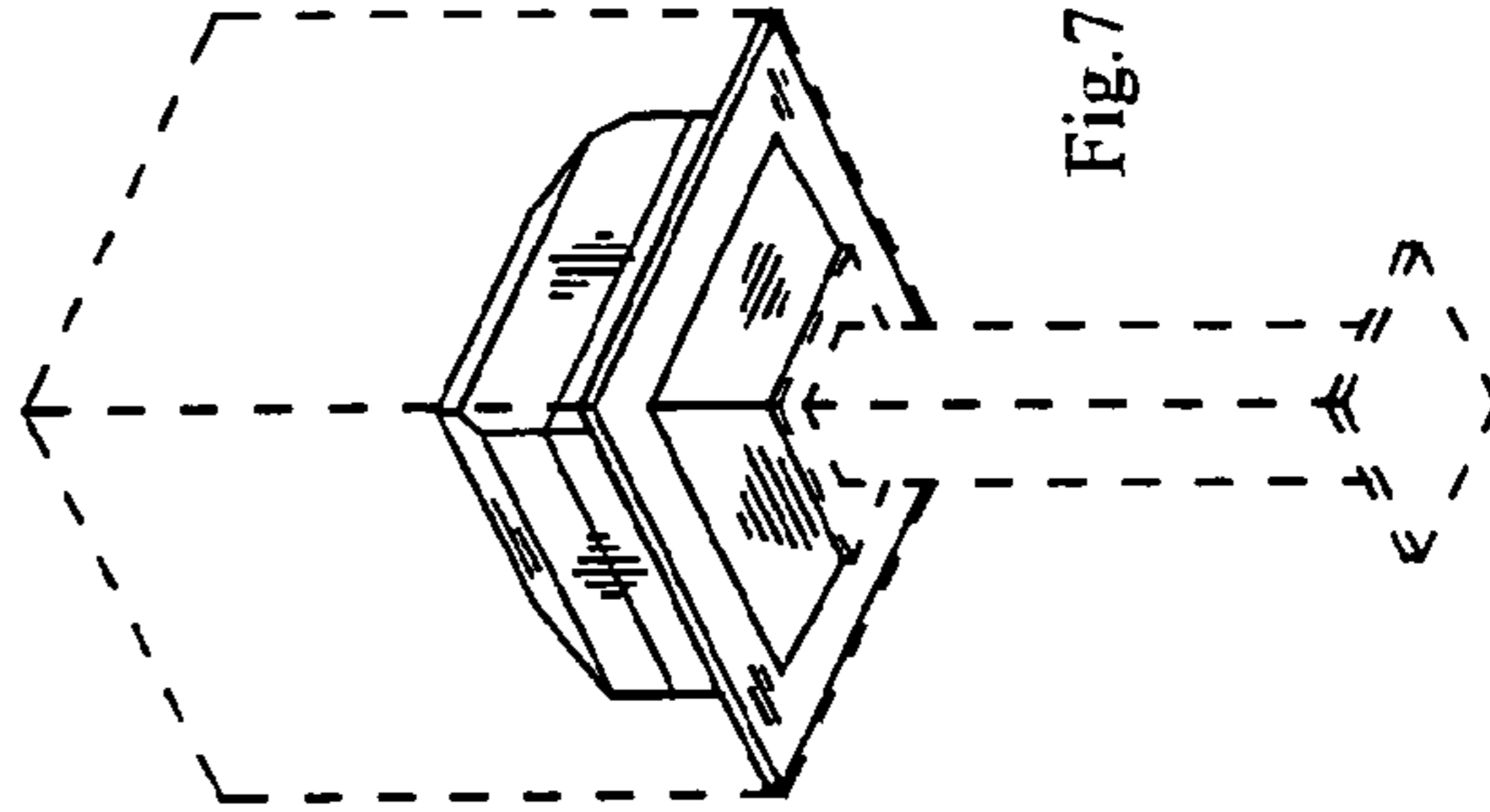


Fig. 7

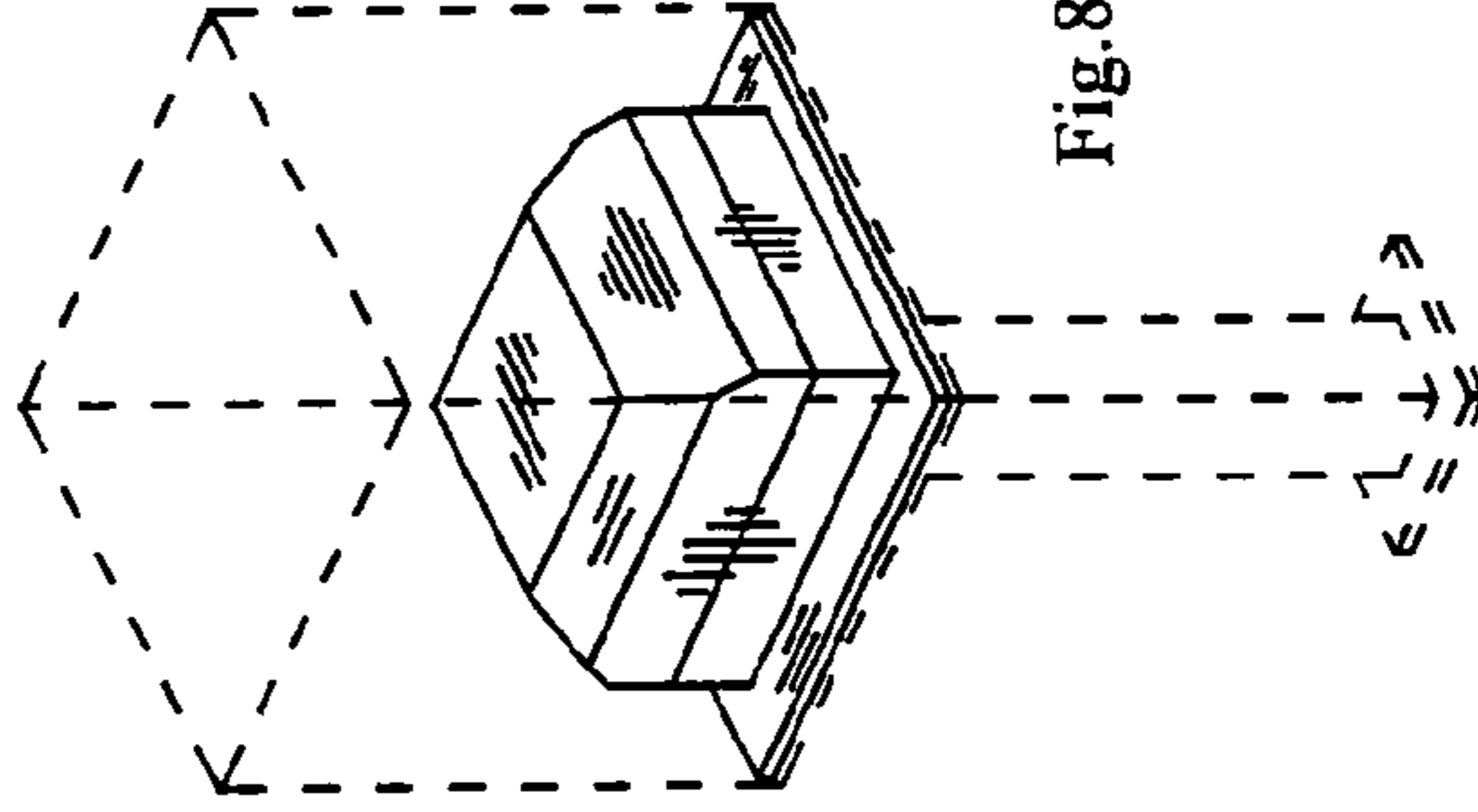


Fig. 8

UNITED STATES PATENT AND TRADEMARK OFFICE
CERTIFICATE OF CORRECTION

PATENT NO. : Des. 564,003 S
APPLICATION NO. : 29/243866
DATED : March 11, 2008
INVENTOR(S) : Throckmorton et al.

Page 1 of 1

It is certified that error appears in the above-identified patent and that said Letters Patent is hereby corrected as shown below:

On the title page, Item (63) Related U.S. Application Data, "Continuation of application No. 11/129,583, filed on May 13, 2005." should read as follows:

-- This design application is a continuation of U.S. Application Serial No. 11/129,583, filed May 13, 2005, now pending, which claims the benefit of priority to U.S. Provisional Application No. 60/571,475, filed May 14, 2004. --

Signed and Sealed this

Fifth Day of August, 2008



JON W. DUDAS

Director of the United States Patent and Trademark Office