



US00D564002S

(12) **United States Design Patent**
Campbell et al.

(10) **Patent No.:** **US D564,002 S**
(45) **Date of Patent:** **** Mar. 11, 2008**

(54) **360 DEGREE GEOSPATIAL VIEW TELESCOPE**

(76) Inventors: **David Rogers Campbell**, 107 Lakewood Ct., St Marys, OH (US) 45885; **Theresa Kay Campbell**, 107 Lakewood Ct., St Marys, OH (US) 45885

(**) Term: **14 Years**

(21) Appl. No.: **29/264,593**

(22) Filed: **Aug. 14, 2006**

(51) **LOC (8) Cl.** **16-06**

(52) **U.S. Cl.** **D16/135**

(58) **Field of Classification Search** D16/130, D16/132; 359/382, 399, 368, 430, 819, 827; 318/640; 248/123.11; 434/303
See application file for complete search history.

(56) **References Cited**

U.S. PATENT DOCUMENTS

8,509 A * 11/1851 Clark 359/399
211,507 A * 1/1879 Gundlach 359/382

1,118,564 A * 11/1914 Lupton, Jr. 359/430
2,157,157 A * 5/1939 Anketell 434/303
3,951,511 A * 4/1976 Parsons 359/430
4,235,405 A * 11/1980 Carey 248/123.11
4,912,388 A * 3/1990 Tanaka et al. 318/640
5,537,250 A * 7/1996 Masunaga et al. 359/430
5,790,307 A * 8/1998 Mick et al. 359/382
D522,550 S * 6/2006 Kung D16/132

* cited by examiner

Primary Examiner—Paula A. Greene

(57) **CLAIM**

The ornamental design for 360 degree geospatial view telescope, as shown and described.

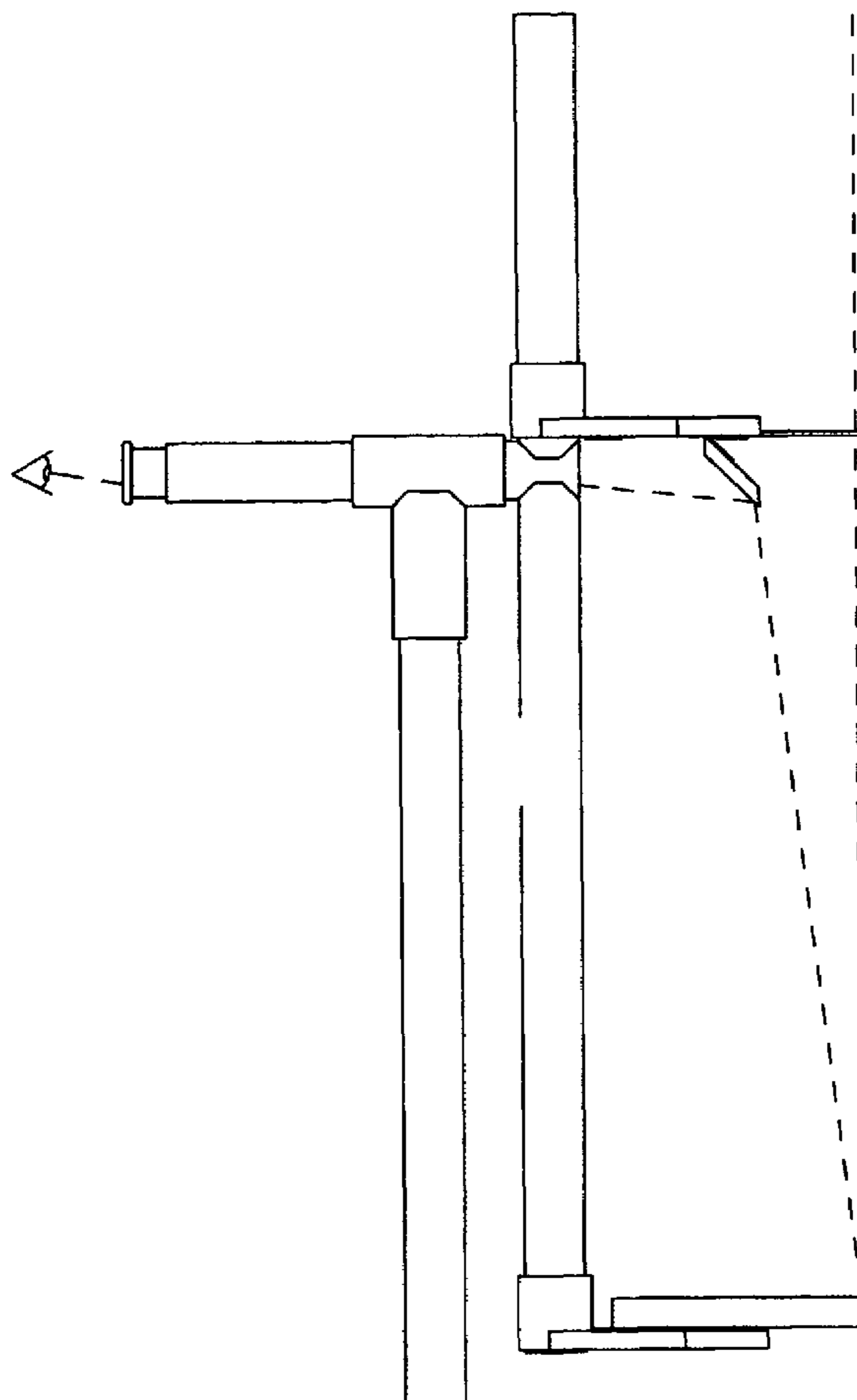
DESCRIPTION

FIG. 1 is a right side elevational view, the left side is a mirror image; and,

FIG. 2 is a front perspective view thereof.

The broken lines in FIG. 1 are included for the purpose of illustration and form no part of the claimed design.

1 Claim, 2 Drawing Sheets



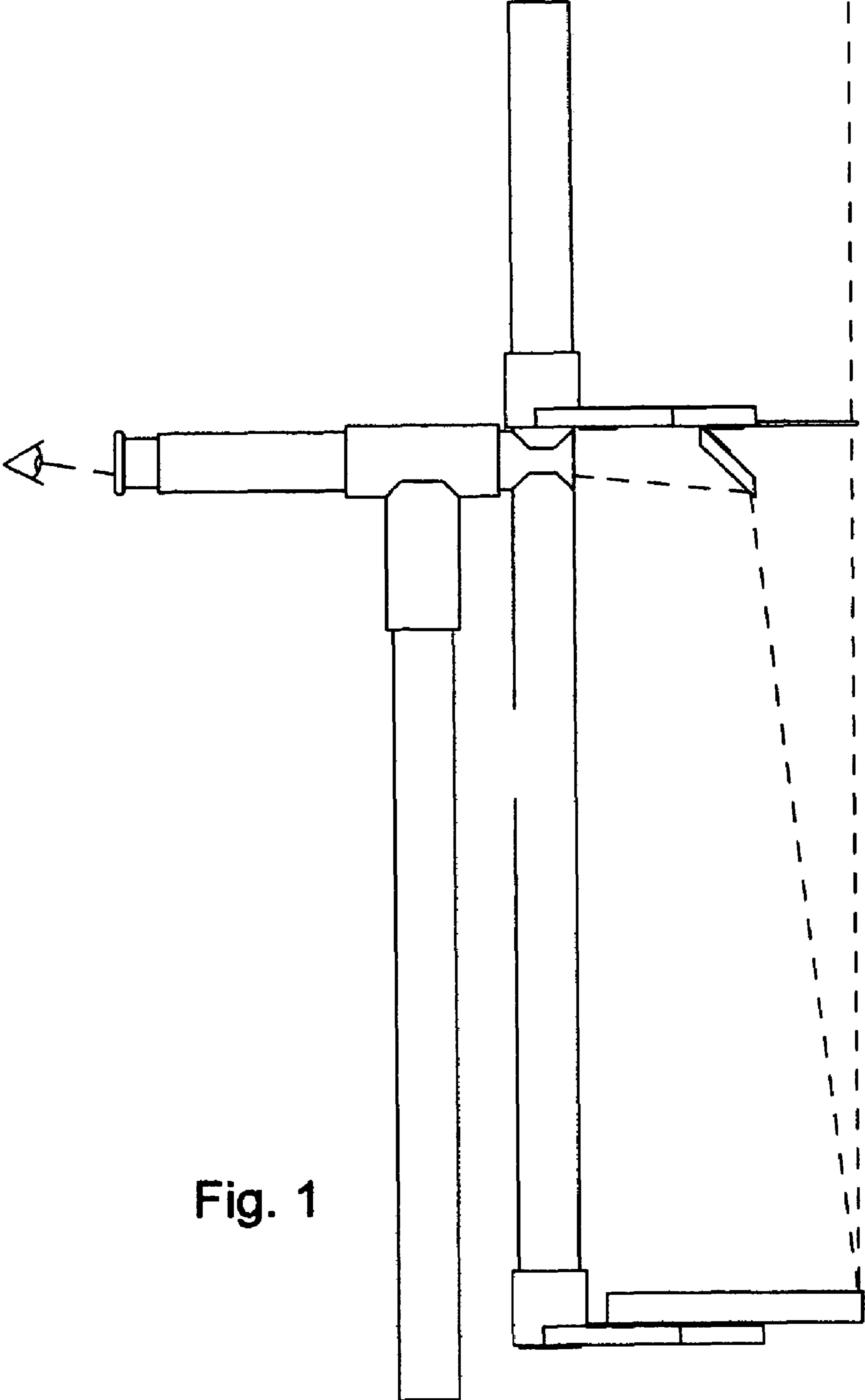


Fig. 1

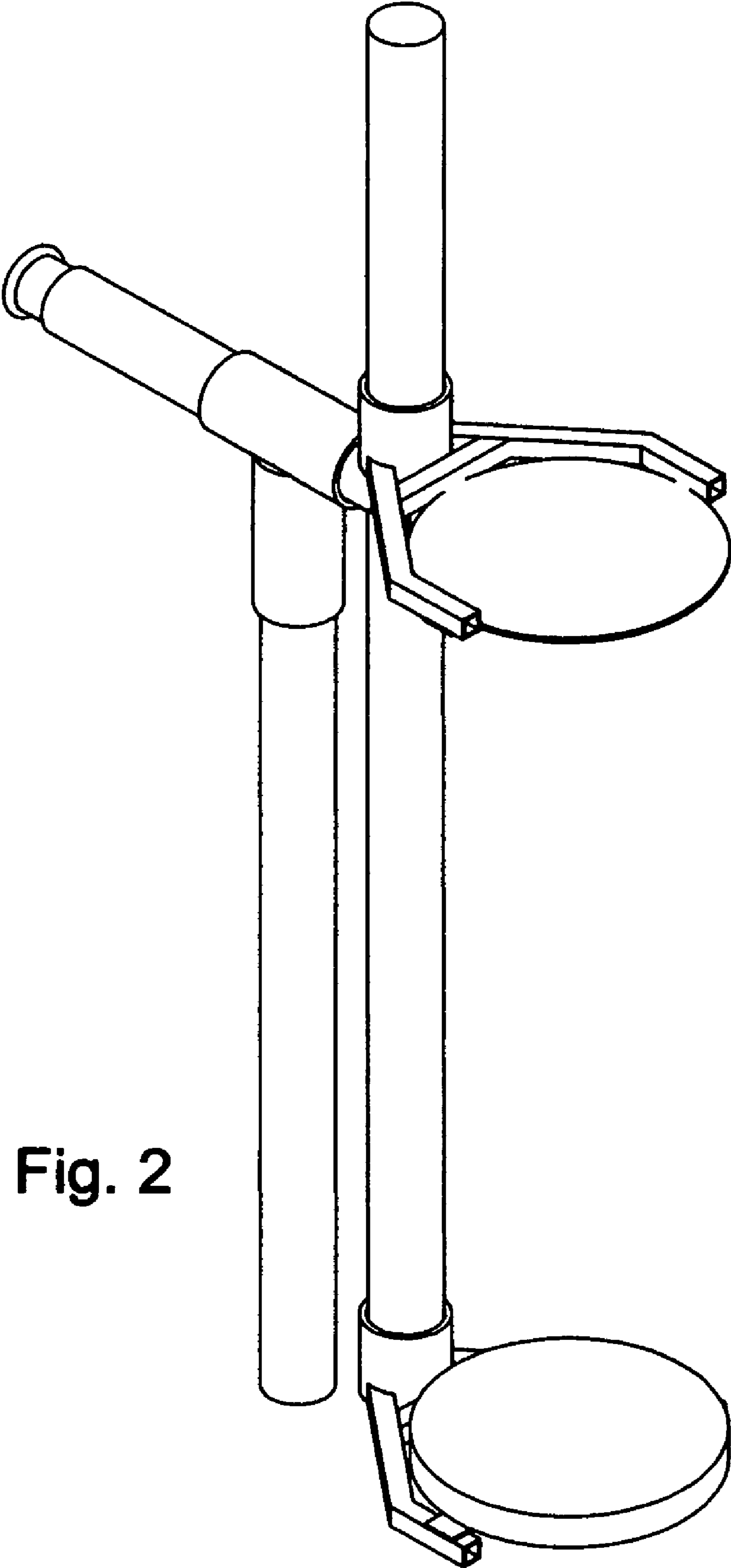


Fig. 2