



US00D564001S

(12) **United States Design Patent**  
**Pernstich et al.**

(10) **Patent No.:** **US D564,001 S**  
(45) **Date of Patent:** **\*\* Mar. 11, 2008**

(54) **TELESCOPIC SIGHT**

(75) Inventors: **Ludwig Pernstich**, Rum (AT); **Werner Hoelbl**, Vienna (AT)

(73) Assignee: **Swarovski Optik-KG**, Absam (AT)

(\*\*) Term: **14 Years**

(21) Appl. No.: **29/270,698**

(22) Filed: **Jan. 3, 2007**

(30) **Foreign Application Priority Data**

Jul. 10, 2006 (EM) ..... 000558119

(51) **LOC (8) Cl.** ..... **16-06**

(52) **U.S. Cl.** ..... **D16/132**

(58) **Field of Classification Search** ..... D16/130,  
D16/132, 136; 359/427-429, 424; D22/108-110;  
42/115, 120, 122, 126; 33/241, 245, 246;  
356/247

See application file for complete search history.

(56) **References Cited**

**U.S. PATENT DOCUMENTS**

1,386,027 A \* 8/1921 Reynolds ..... 42/126  
2,150,629 A \* 3/1939 Mossberg ..... 356/247  
3,297,389 A \* 1/1967 Gibson ..... 359/424  
3,777,404 A \* 12/1973 Oreck ..... 42/120  
D239,658 S \* 4/1976 Huckenbeck ..... D16/132

D240,553 S \* 7/1976 Huckenbeck ..... D16/136  
D346,392 S \* 4/1994 Tomita ..... D16/132  
D349,510 S \* 8/1994 Tomita ..... D16/132  
5,771,623 A \* 6/1998 Pernstich et al. .... 42/115

**OTHER PUBLICATIONS**

“Optical Article”, Ludwig Pernstich, U.S. Appl. No. 29/270,699, filed Jan. 3, 2007, specification, drawings and executed Declaration.

\* cited by examiner

*Primary Examiner*—Paula A. Greene

(74) *Attorney, Agent, or Firm*—Wenderoth, Lind & Ponack, L.L.P.

(57) **CLAIM**

The ornamental design for a telescopic sight, as shown and described.

**DESCRIPTION**

FIG. 1 is a top view of a telescopic sight according to the present design;

FIG. 2 is a right side view;

FIG. 3 is a front view;

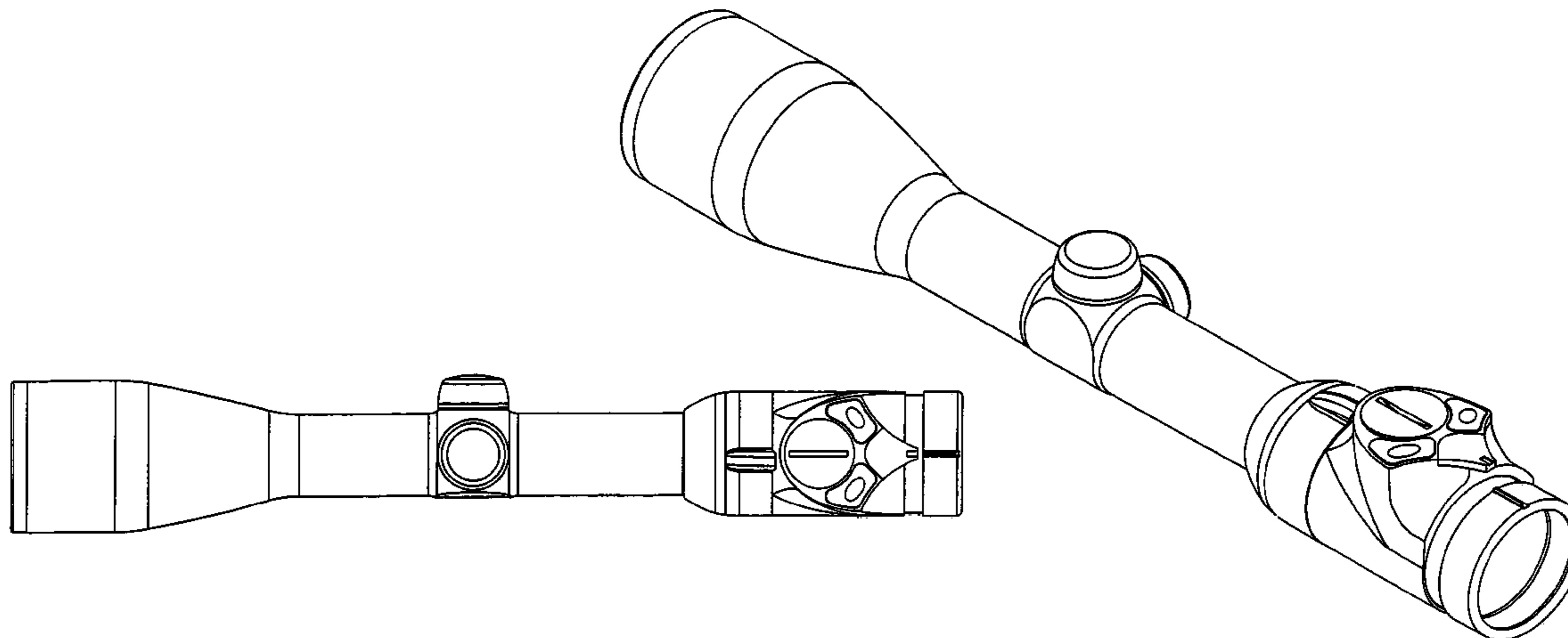
FIG. 4 is a perspective view of the telescopic sight;

FIG. 5 is a rear view;

FIG. 6 is a bottom view; and,

FIG. 7 is a left side view.

**1 Claim, 2 Drawing Sheets**



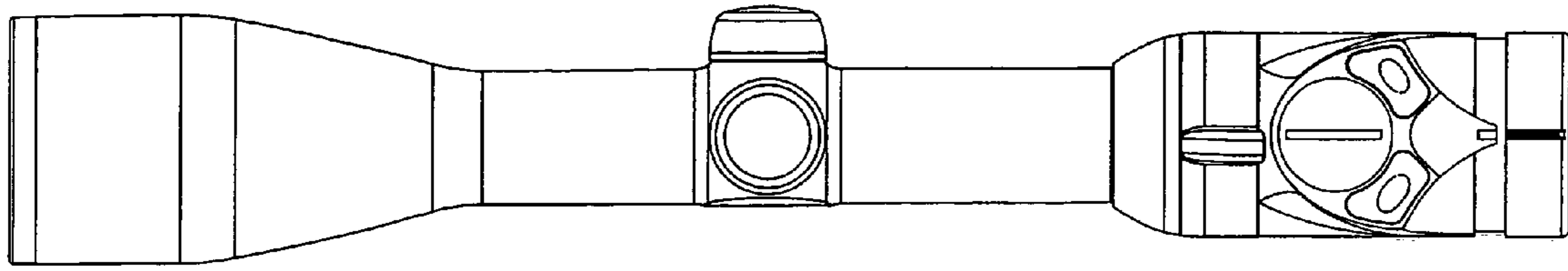


Fig. 1

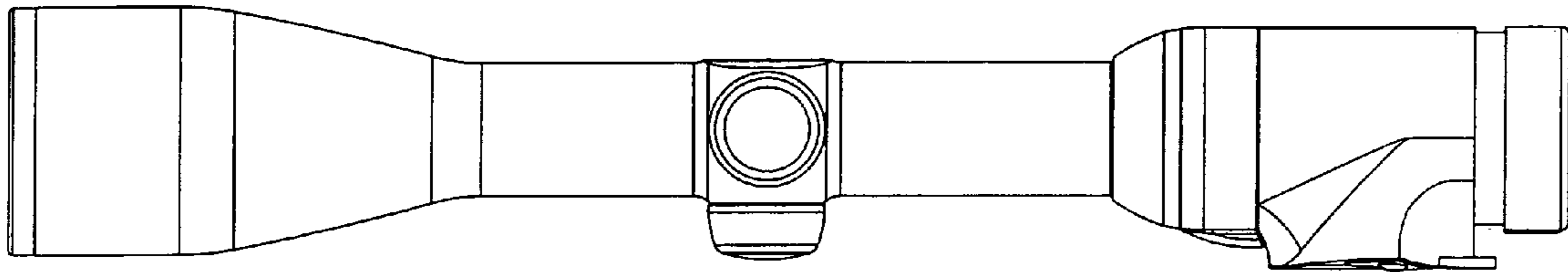


Fig. 2

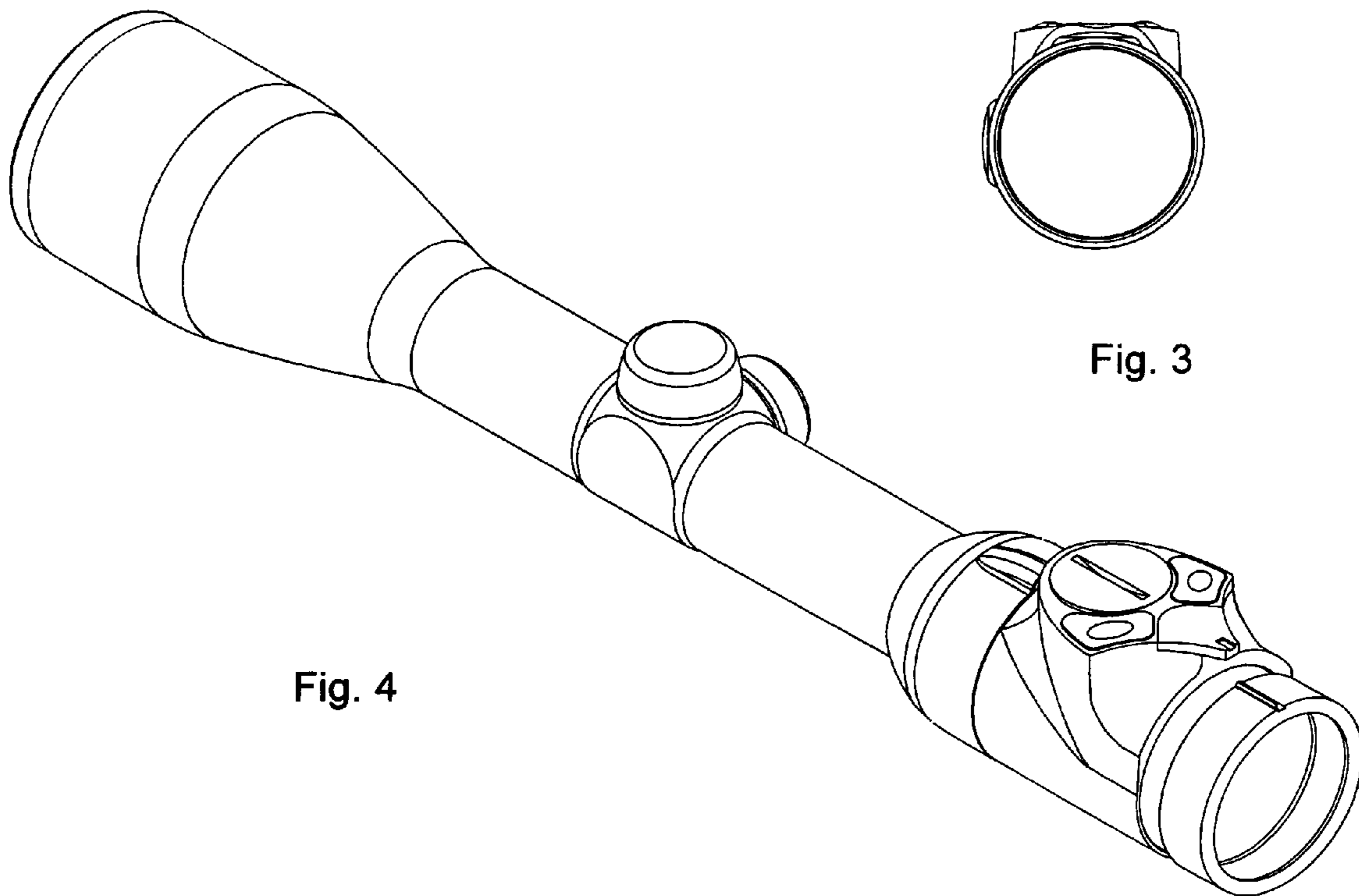


Fig. 3

Fig. 4

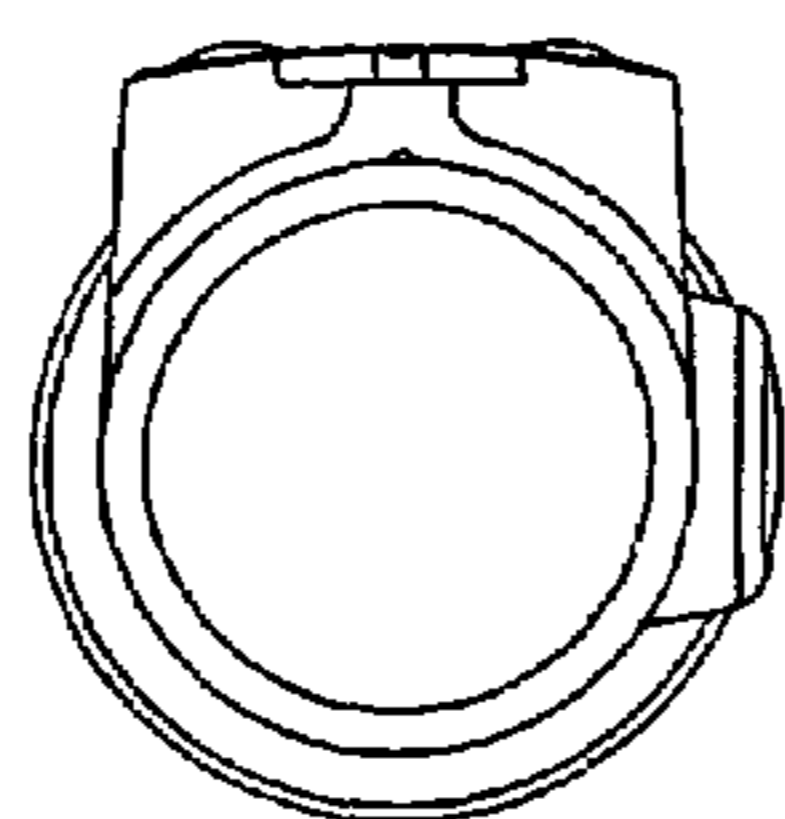


Fig. 5

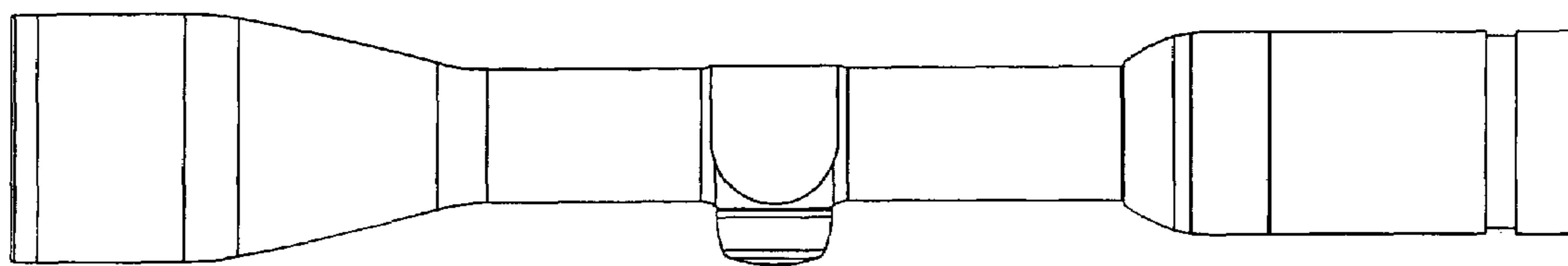


Fig. 6

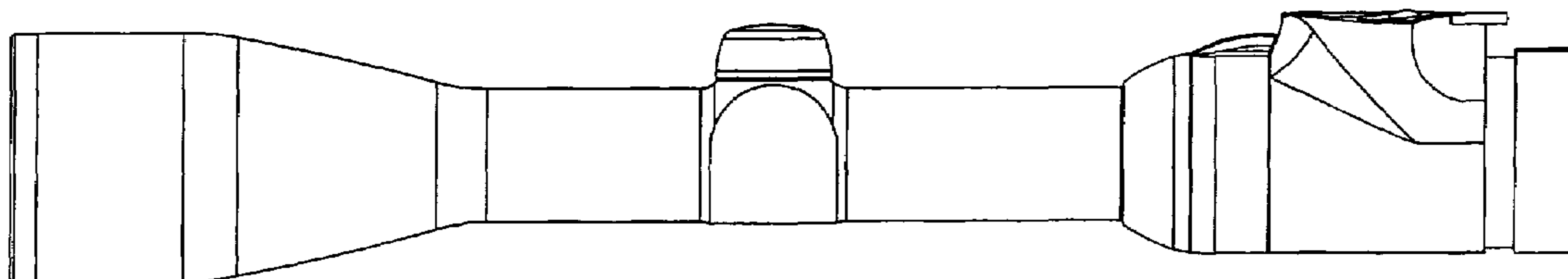


Fig. 7