



US00D564000S

(12) **United States Design Patent**  
**Zyduck et al.**

(10) **Patent No.:** **US D564,000 S**  
(45) **Date of Patent:** **\*\* Mar. 11, 2008**

(54) **CONTROL HOUSING**

(75) Inventors: **Joseph H. Zyduck**, Mukwonago, WI (US); **Andrew J. Doberstein**, Hartford, WI (US); **Thomas W. Rand**, Cedarburg, WI (US); **Jennifer U. Straszewski**, Mequon, WI (US)

(73) Assignee: **U-Line Corporation**, Milwaukee, WI (US)

(\*\*) Term: **14 Years**

(21) Appl. No.: **29/248,768**

(22) Filed: **Aug. 31, 2006**

(51) **LOC (8) Cl.** ..... **15-07**

(52) **U.S. Cl.** ..... **D15/89**

(58) **Field of Classification Search** ..... D15/79, D15/80, 85-89, 91; D13/118, 162, 162.1, D13/164, 171, 177; D14/157, 258, 257, D14/371, 374, 381, 382, 441, 443, 485, 490; D7/406; D18/41, 54, 56; D32/28; D10/104, D10/106; 312/7.2, 9.1, 236, 352, 400-406; 62/3.1, 3.6, 3.63, 3.64, 45.1, 98, 125, 275, 62/293, 331, 344, 371, 440, 467, 529, 531; 200/4, 296; 345/156, 196

See application file for complete search history.

(56) **References Cited**

**U.S. PATENT DOCUMENTS**

D309,122 S \* 7/1990 Biemolt ..... D11/145  
D369,514 S \* 5/1996 Baldwin ..... D7/406  
D396,845 S \* 8/1998 Caldes et al. .... D13/118  
D449,823 S \* 10/2001 Kojyo et al. .... D13/168  
D450,305 S \* 11/2001 Masuzoe et al. .... D13/168

D472,882 S \* 4/2003 Moyer et al. .... D13/162  
D487,670 S \* 3/2004 Moon et al. .... D7/406  
D518,493 S \* 4/2006 Sato et al. .... D15/89  
2007/0193865 A1 \* 8/2007 No et al. .... 200/296

\* cited by examiner

*Primary Examiner*—Stella M. Reid

*Assistant Examiner*—Shanda C. Hill

(74) *Attorney, Agent, or Firm*—Quarles & Brady LLP

(57) **CLAIM**

The ornamental design for a control housing, as shown and described.

**DESCRIPTION**

In a preferred embodiment, the nature of this product is as a control housing, for example a housing for an electronic control for a cooling unit, such as a compact refrigerator, freezer, beverage cooler, ice maker, combinations thereof and the like.

FIG. 1 is a left, top, front perspective view of a portion of a control housing embodying our new design;

FIG. 2 is a top plan view thereof;

FIG. 3 is a left side elevational view thereof, the right side elevational view thereof being a mirror image of the left side shown;

FIG. 4 is a rear elevational view thereof;

FIG. 5 is a bottom plan view thereof; and,

FIG. 6 is front elevational view thereof.

The broken line representations in the figures are for the purpose of illustration only, and form no part of the claimed design.

**1 Claim, 3 Drawing Sheets**

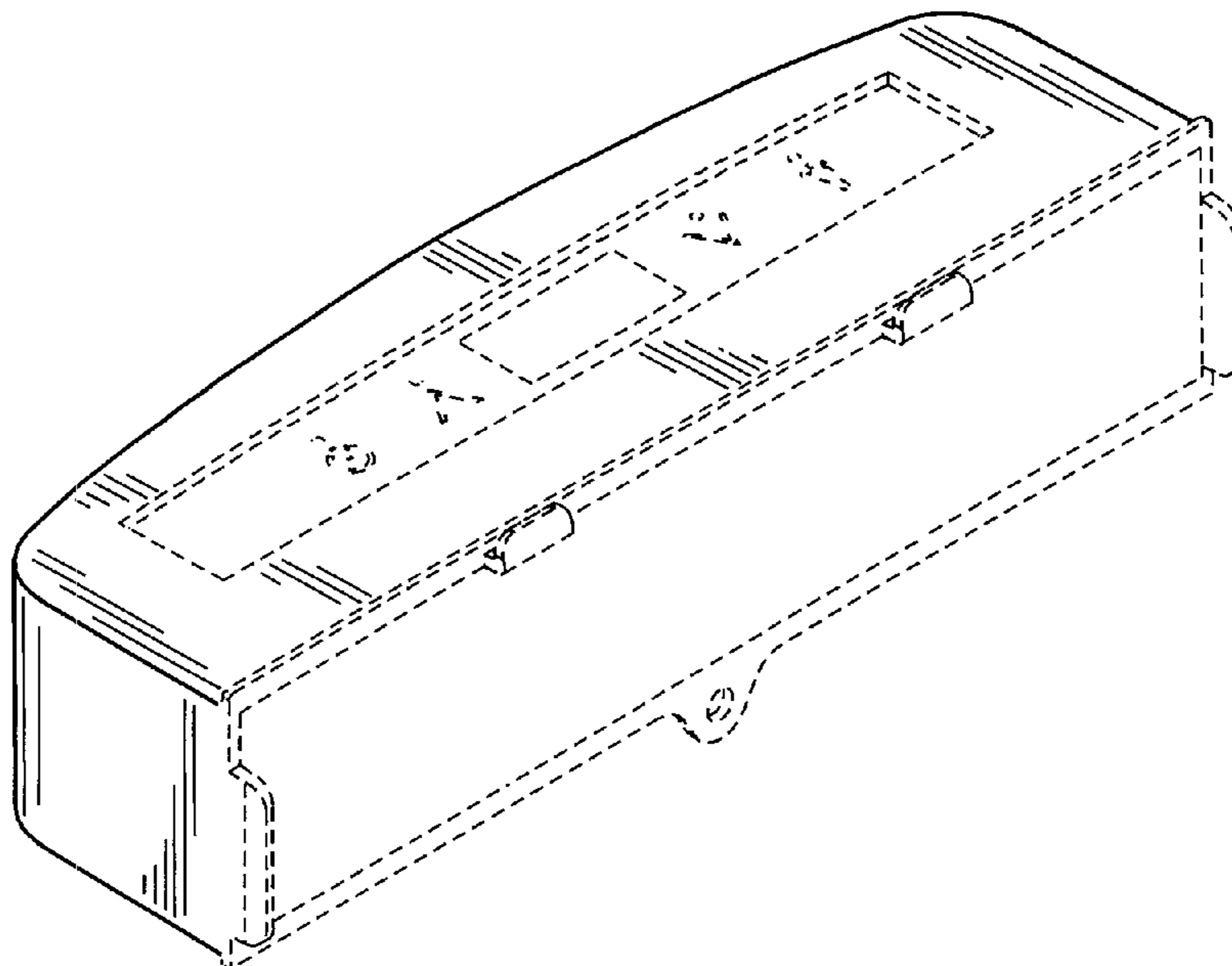


FIG. 1

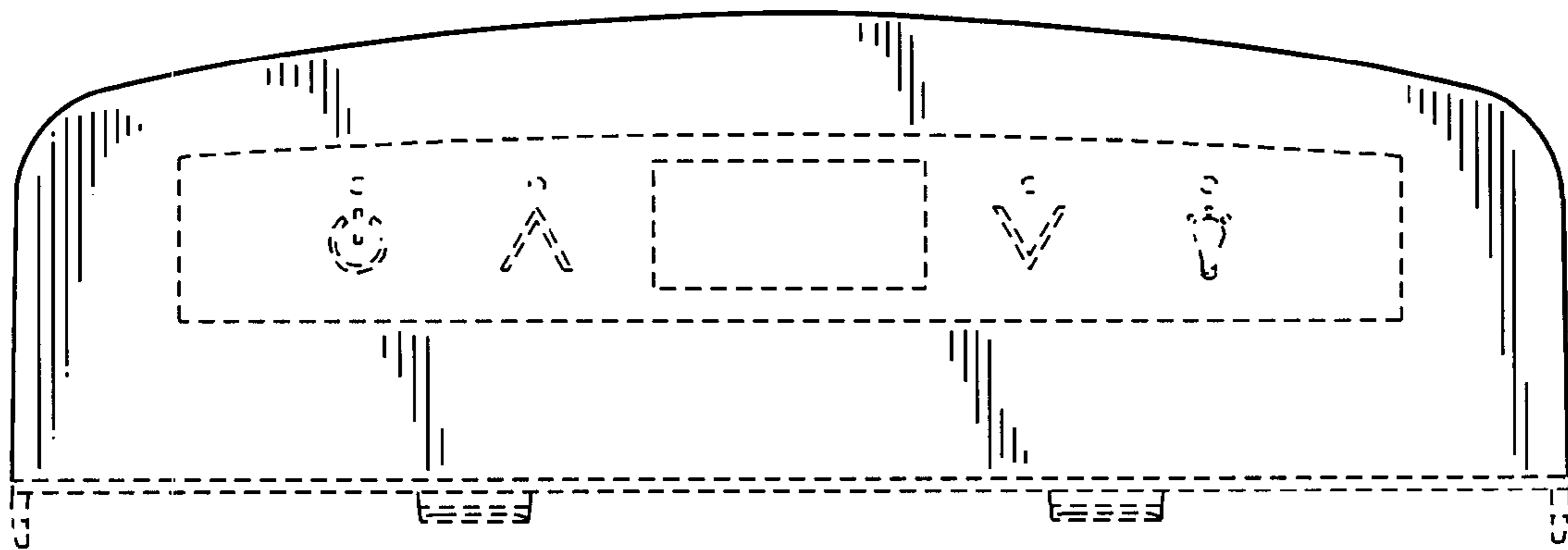
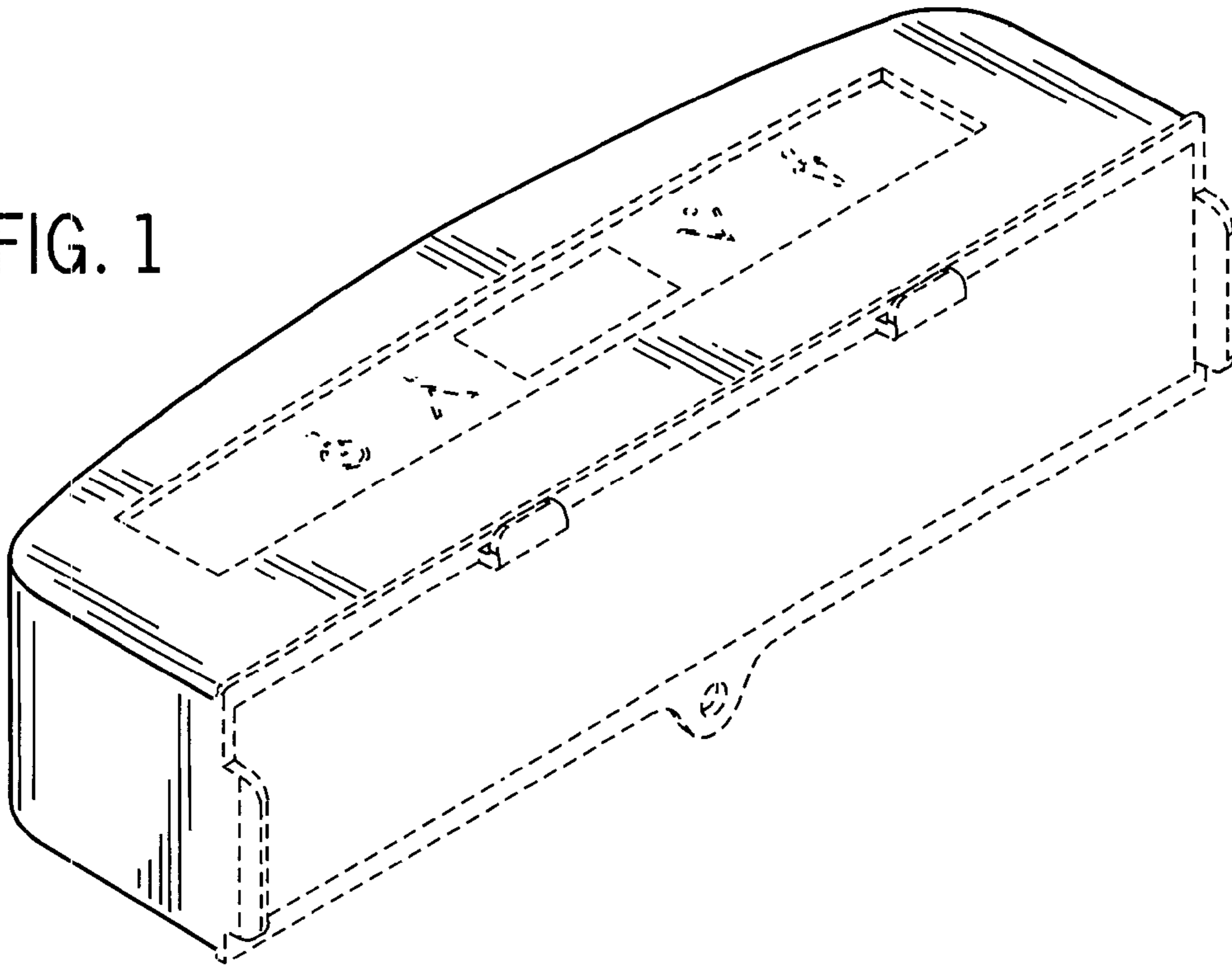


FIG. 2

FIG. 3

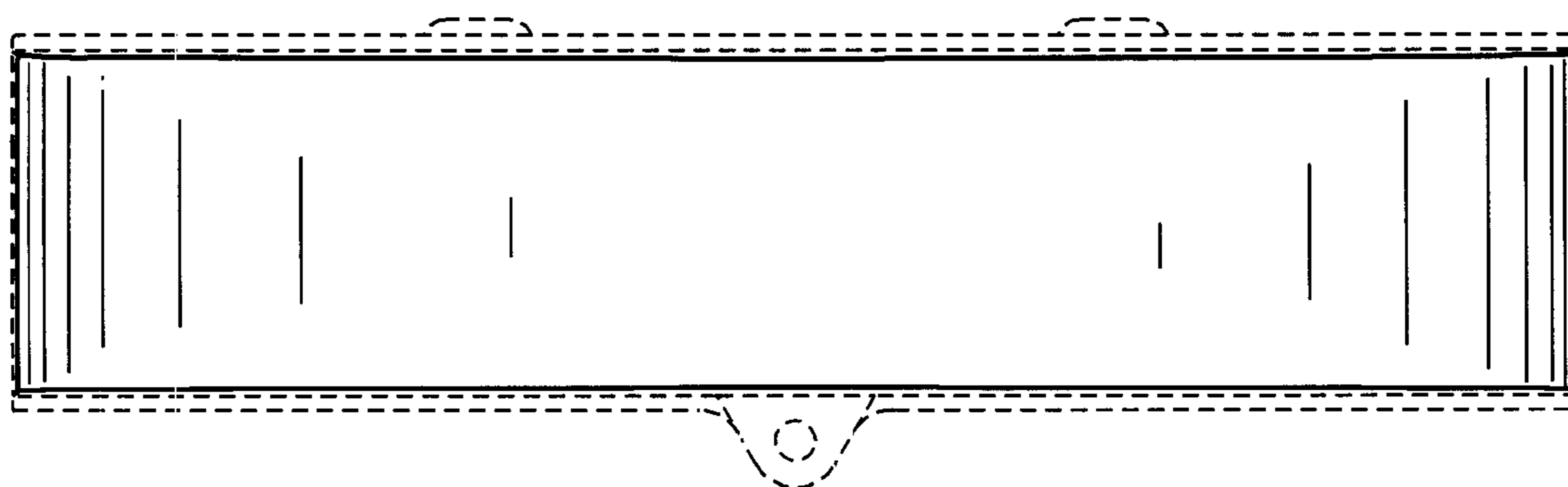
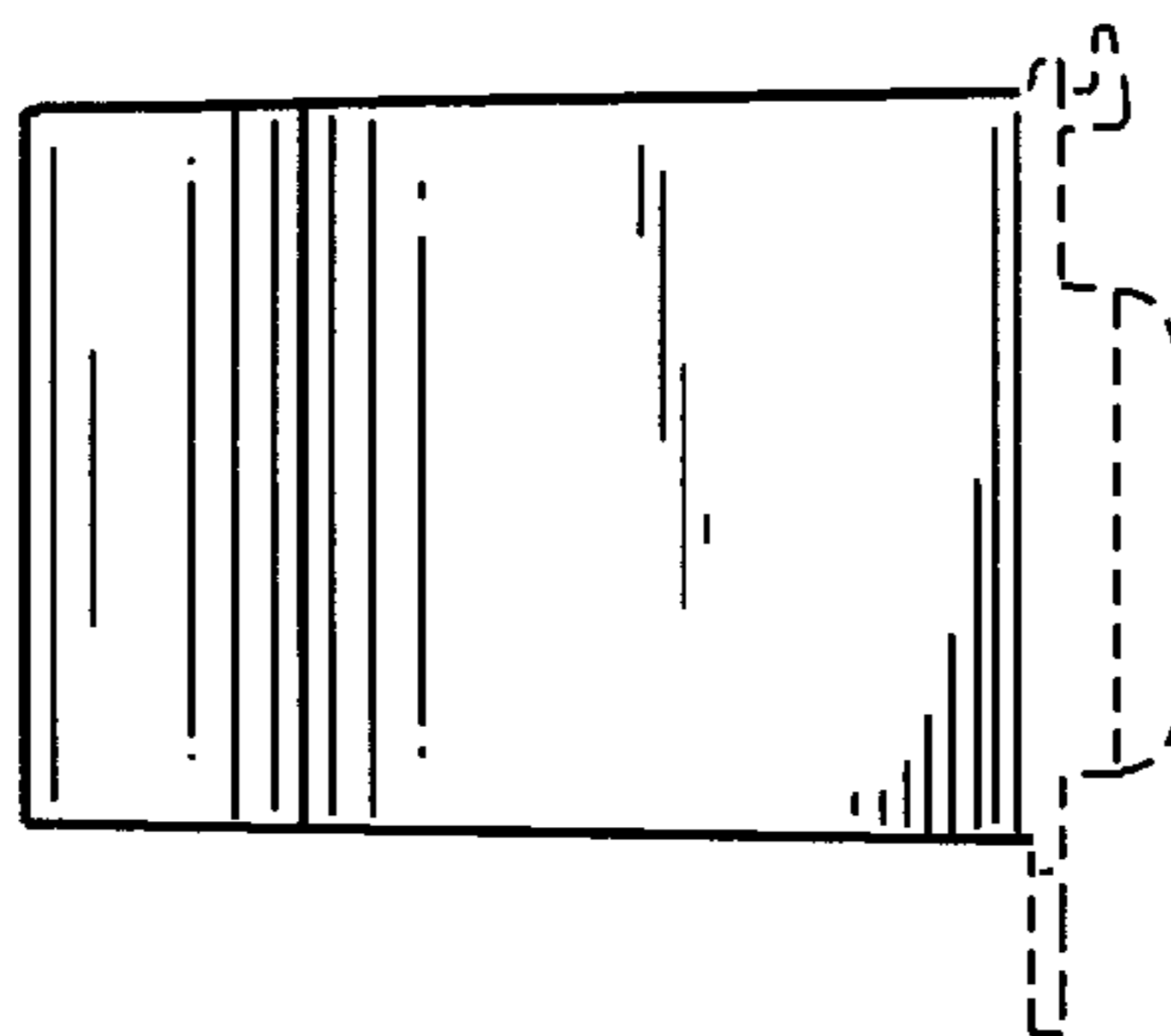


FIG. 4

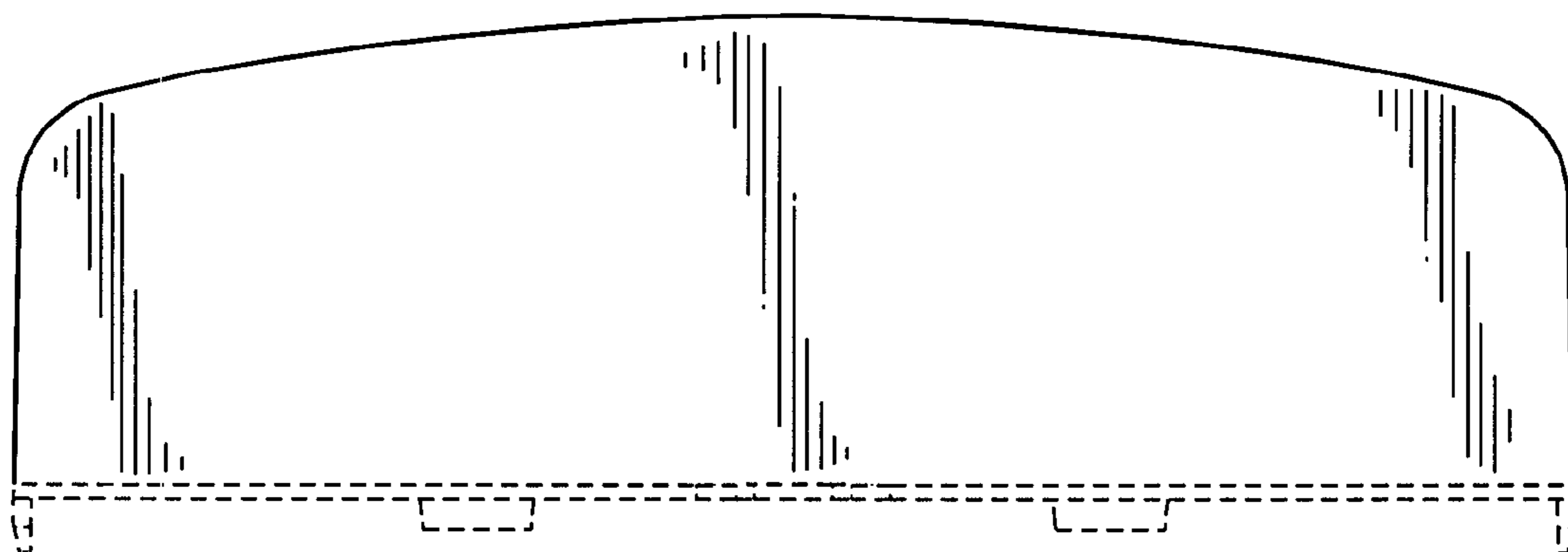


FIG. 5

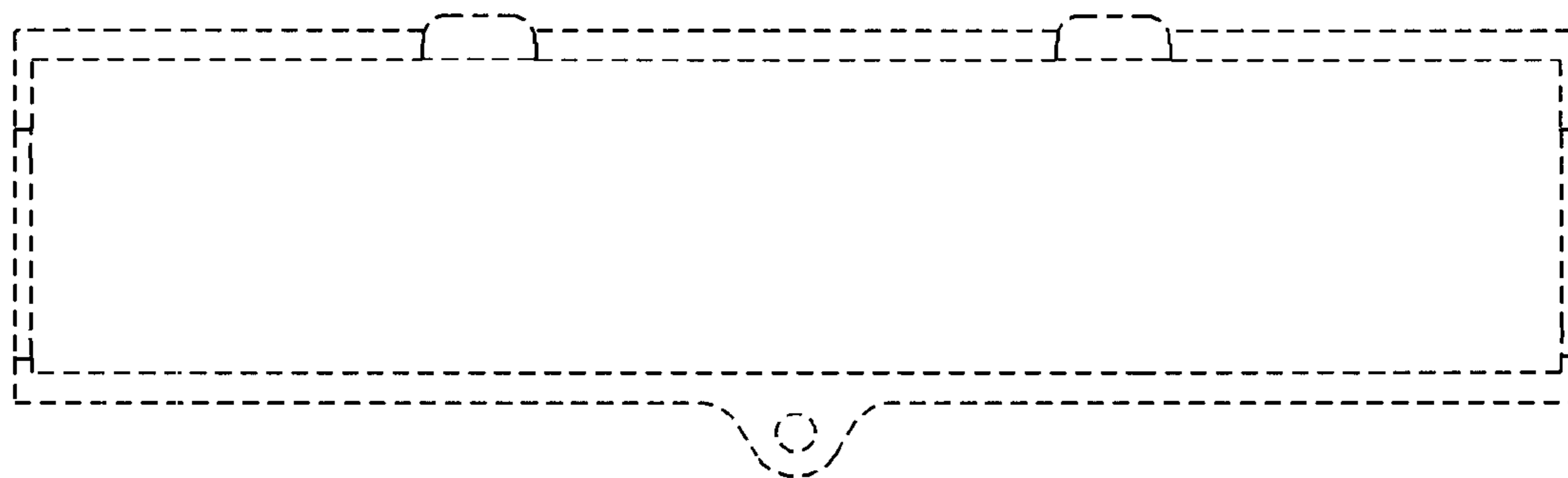


FIG. 6