



US00D563994S

(12) **United States Design Patent**  
**Liu et al.**

(10) **Patent No.:** **US D563,994 S**  
(45) **Date of Patent:** **\*\* Mar. 11, 2008**

(54) **NETWORK ATTACHED STORAGE**

(75) Inventors: **Calvin Y. Liu**, Irvine, CA (US);  
**Hung-Bing Chen**, Tustin, CA (US)

(73) Assignee: **Cisco Technology, Inc.**, San Jose, CA (US)

(\*\*) Term: **14 Years**

(21) Appl. No.: **29/250,435**

(22) Filed: **Nov. 14, 2006**

(51) **LOC (8) Cl.** ..... **14-03**

(52) **U.S. Cl.** ..... **D14/496; D14/356**

(58) **Field of Classification Search** ..... D14/496,  
D14/356, 432, 168, 188, 217, 299; D13/184;  
273/148 R, 148 B; 463/1, 46, 47, 42, 43;  
369/1, 75.11, 12, 13.01; 361/683-686, 629,  
361/724; 360/131, 132; 709/223, 227, 213;  
710/1, 8; 370/464

See application file for complete search history.

(56) **References Cited**

**U.S. PATENT DOCUMENTS**

D425,495 S \* 5/2000 Chiodo et al. .... D14/356  
D461,187 S \* 8/2002 Andre et al. .... D14/356  
D461,804 S \* 8/2002 Carey et al. .... D14/356  
6,821,204 B2 \* 11/2004 Aonuma et al. .... 463/32

D525,972 S \* 8/2006 Liu ..... D14/356  
7,127,798 B1 \* 10/2006 Reger et al. .... 29/603.03  
7,139,809 B2 \* 11/2006 Husain et al. .... 709/213  
D541,273 S \* 4/2007 Wang ..... D14/356  
D543,543 S \* 5/2007 Ng et al. .... D14/356  
7,245,632 B2 \* 7/2007 Heffernan et al. .... 370/465  
D551,652 S \* 9/2007 Nakamura ..... D14/156  
7,269,006 B2 \* 9/2007 Miyamoto et al. .... 361/687  
7,275,097 B2 \* 9/2007 Peake et al. .... 709/223

\* cited by examiner

*Primary Examiner*—Prabhakar Deshmukh

(74) *Attorney, Agent, or Firm*—MacPherson Kwok Chen & Heid LLP; Tom Chen

(57) **CLAIM**

The ornamental design for a network attached storage, as shown and described.

**DESCRIPTION**

FIG. 1 is a top front perspective view of a network attached storage showing our new design;

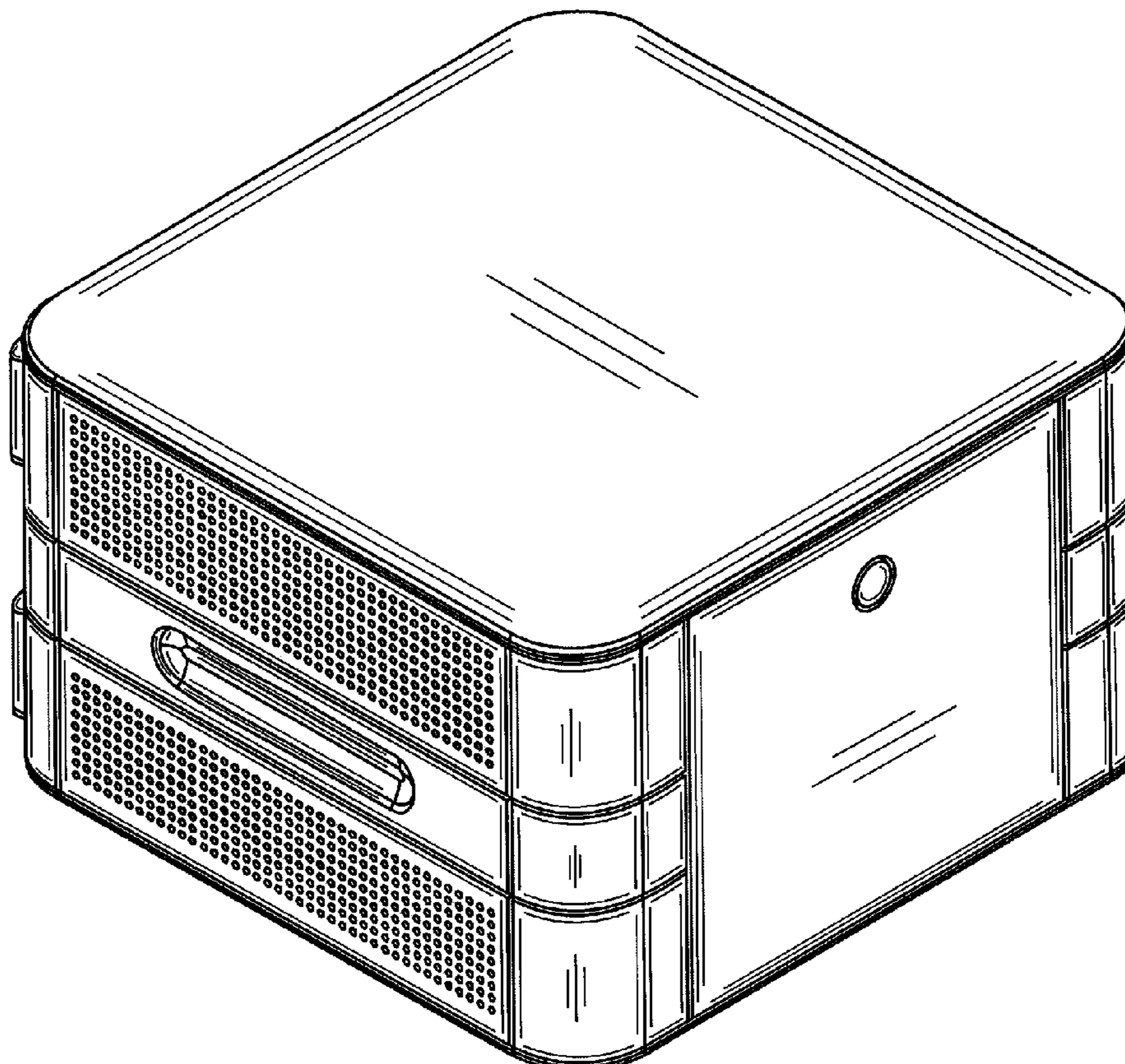
FIG. 2 is a top back perspective view thereof;

FIG. 3 is a front view thereof;

FIG. 4 is a back view thereof; and,

FIG. 5 is a bottom front perspective view thereof.

**1 Claim, 4 Drawing Sheets**



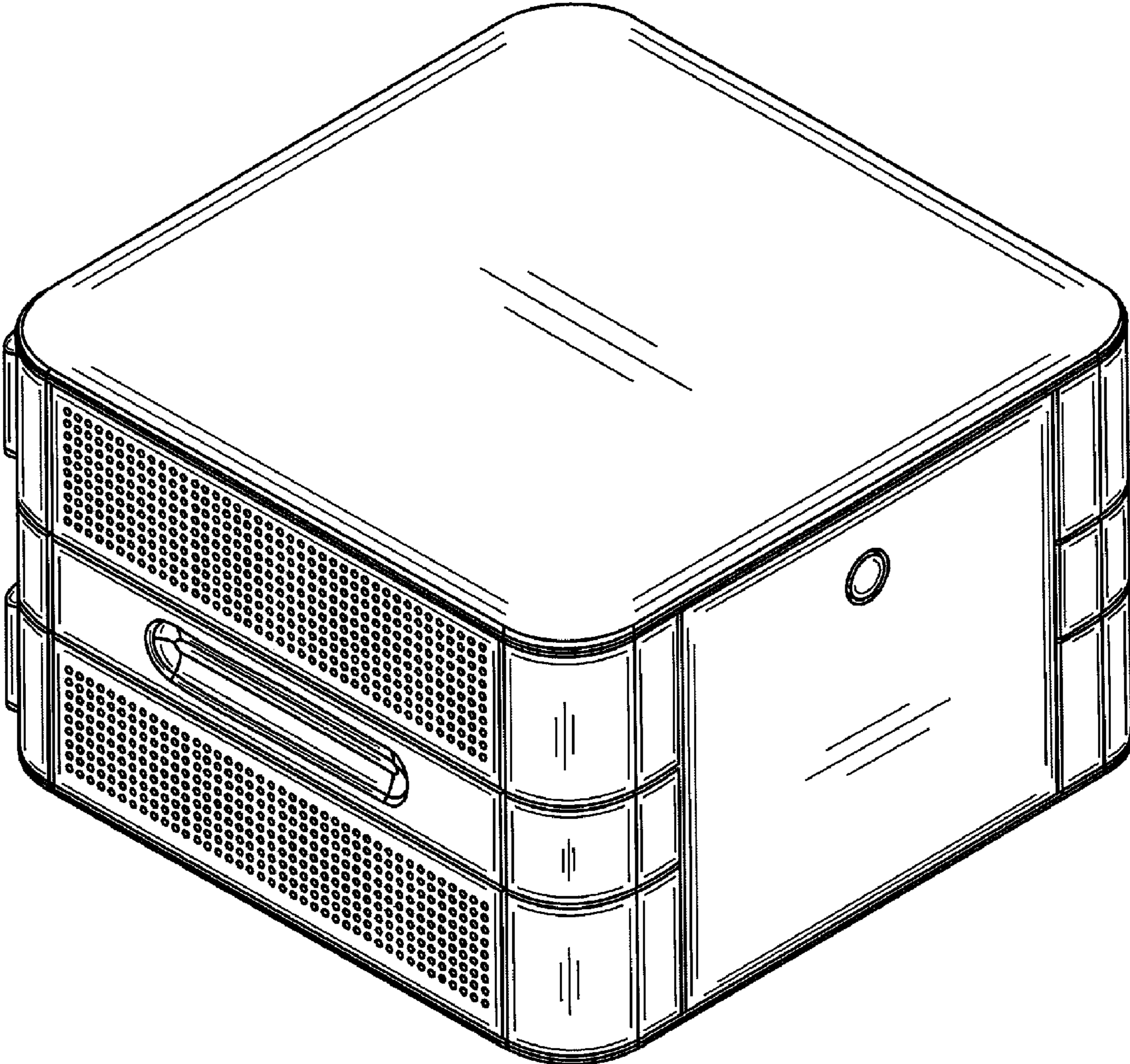


FIG. 1

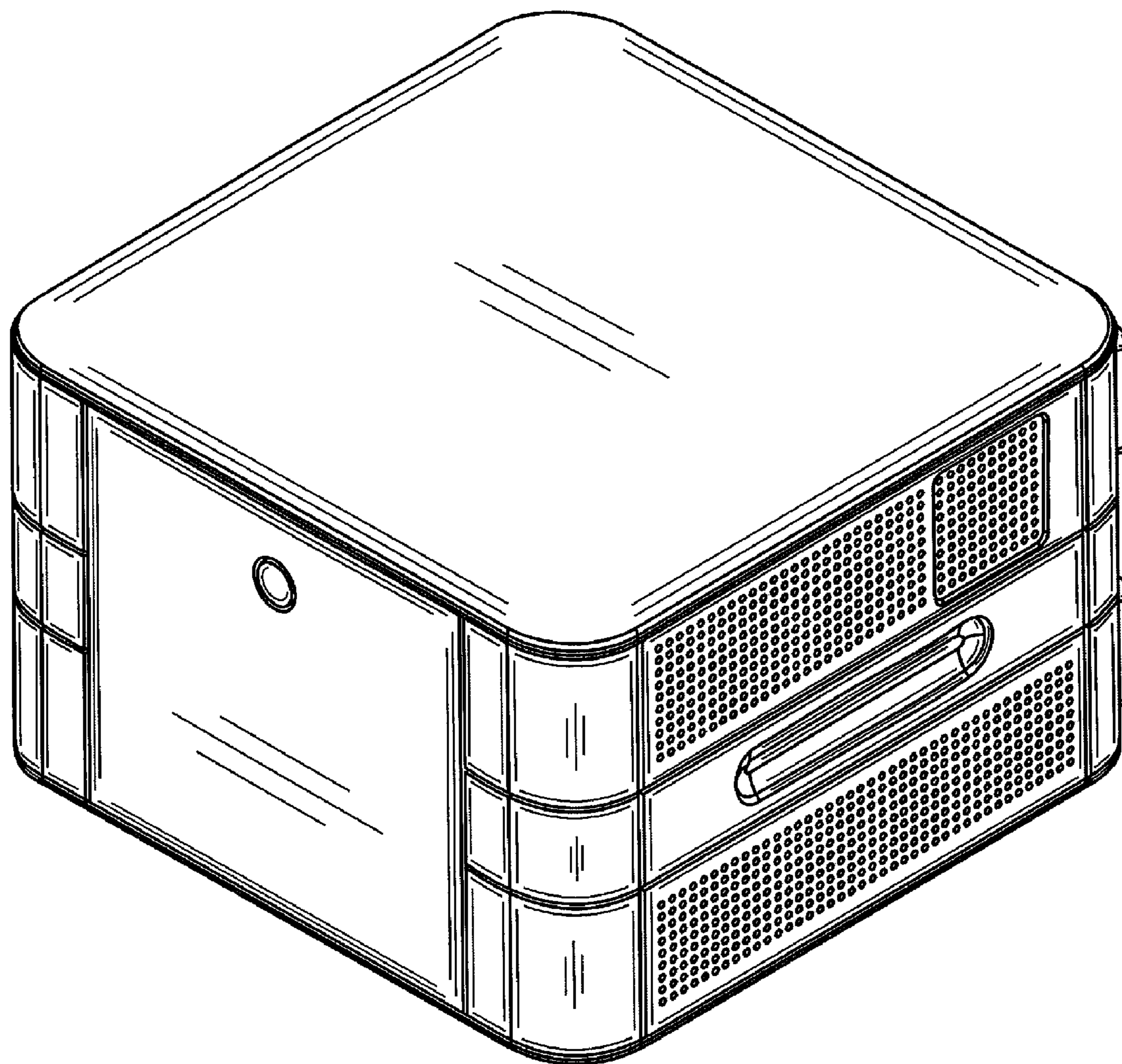


FIG. 2

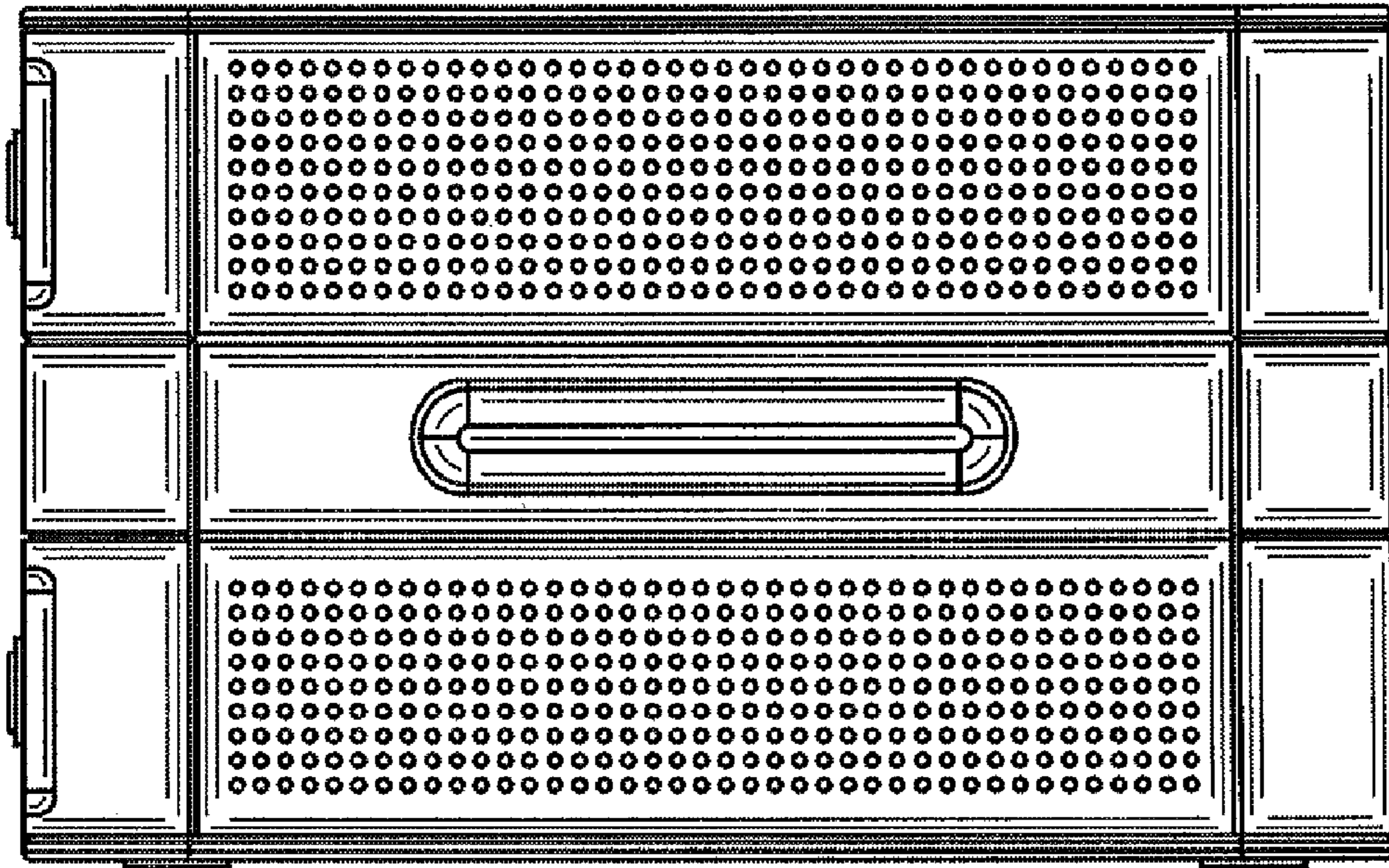


FIG. 3

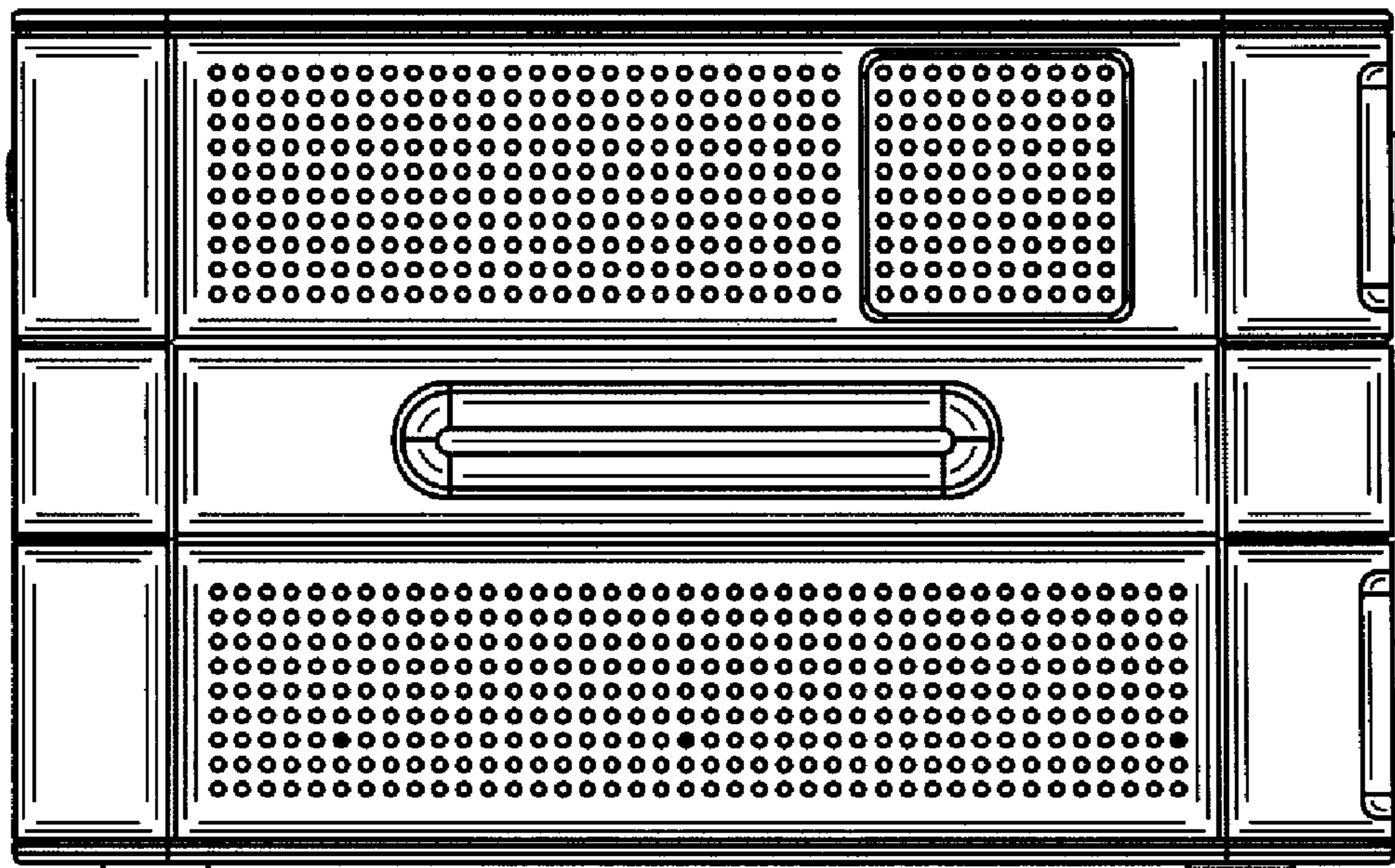


FIG. 4

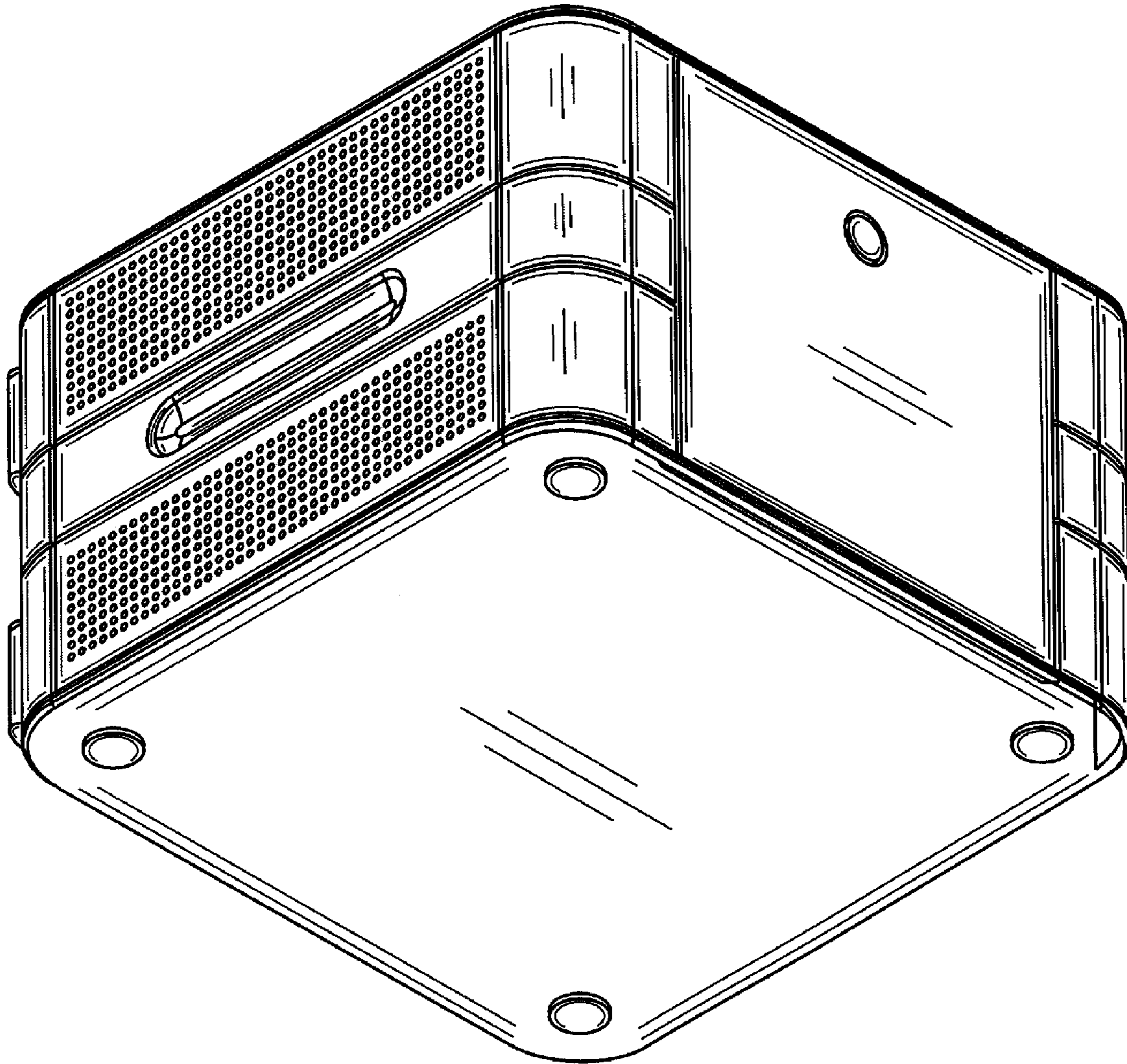


FIG. 5