

US00D563990S

(12) **United States Design Patent**
Okuyama

(10) **Patent No.:** **US D563,990 S**
(45) **Date of Patent:** **** Mar. 11, 2008**

(54) **COMPUTER GENERATED IMAGE FOR A DISPLAY PANEL OR SCREEN**

(75) Inventor: **Masashi Okuyama**, Kumamoto (JP)

(73) Assignee: **Tokyo Electron Limited**, Tokyo (JP)

(**) Term: **14 Years**

(21) Appl. No.: **29/274,163**

(22) Filed: **Apr. 2, 2007**

(51) **LOC (8) Cl.** **14-04**

(52) **U.S. Cl.** **D14/492**

(58) **Field of Classification Search** D14/485-95;
D18/26, 31-3; D19/6; D20/11-2, 23-5,
D20/29-32, 36-8; 715/700-867, 973-7
See application file for complete search history.

(56) **References Cited**

U.S. PATENT DOCUMENTS

D393,840	S *	4/1998	Sakazume	D14/489
D398,000	S *	9/1998	Cappa et al.	D14/489
5,877,767	A *	3/1999	Yohanan	715/738
6,002,403	A *	12/1999	Sugiyama et al.	715/717
D427,575	S *	7/2000	Coleman	D14/489
D457,529	S *	5/2002	McRae	D14/489
D471,205	S *	3/2003	Lane	D14/489
D488,818	S *	4/2004	Lee et al.	D14/489
D491,190	S *	6/2004	Majima	D14/492
6,931,442	B1 *	8/2005	Hamanaka	709/224

D511,168	S *	11/2005	Totten et al.	D14/491
2004/0100482	A1 *	5/2004	Cajolet et al.	345/716
2004/0205091	A1 *	10/2004	Mulcahy et al.	707/204

OTHER PUBLICATIONS

Logo Lounge, by Catharine Fishel and Bill Gardner, Rockport Publishers, Gloucester, MA © 2003, p. 283.*

* cited by examiner

Primary Examiner—Robin V. Webster

Assistant Examiner—Karen E Kearney

(74) *Attorney, Agent, or Firm*—Rader, Fishman & Grauer, PLLC

(57) **CLAIM**

The ornamental design for a computer generated image for a display panel or screen, as shown and described.

DESCRIPTION

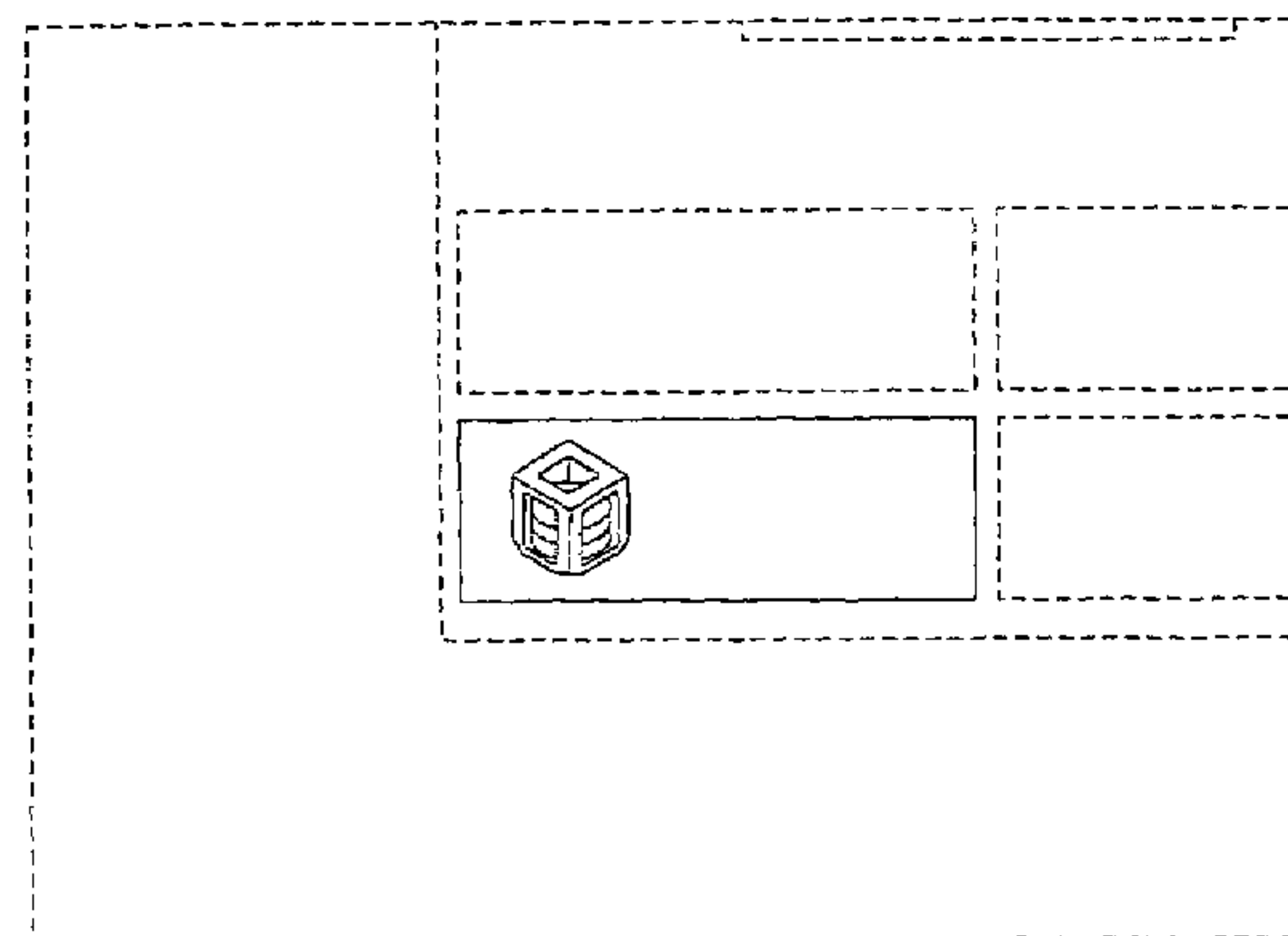
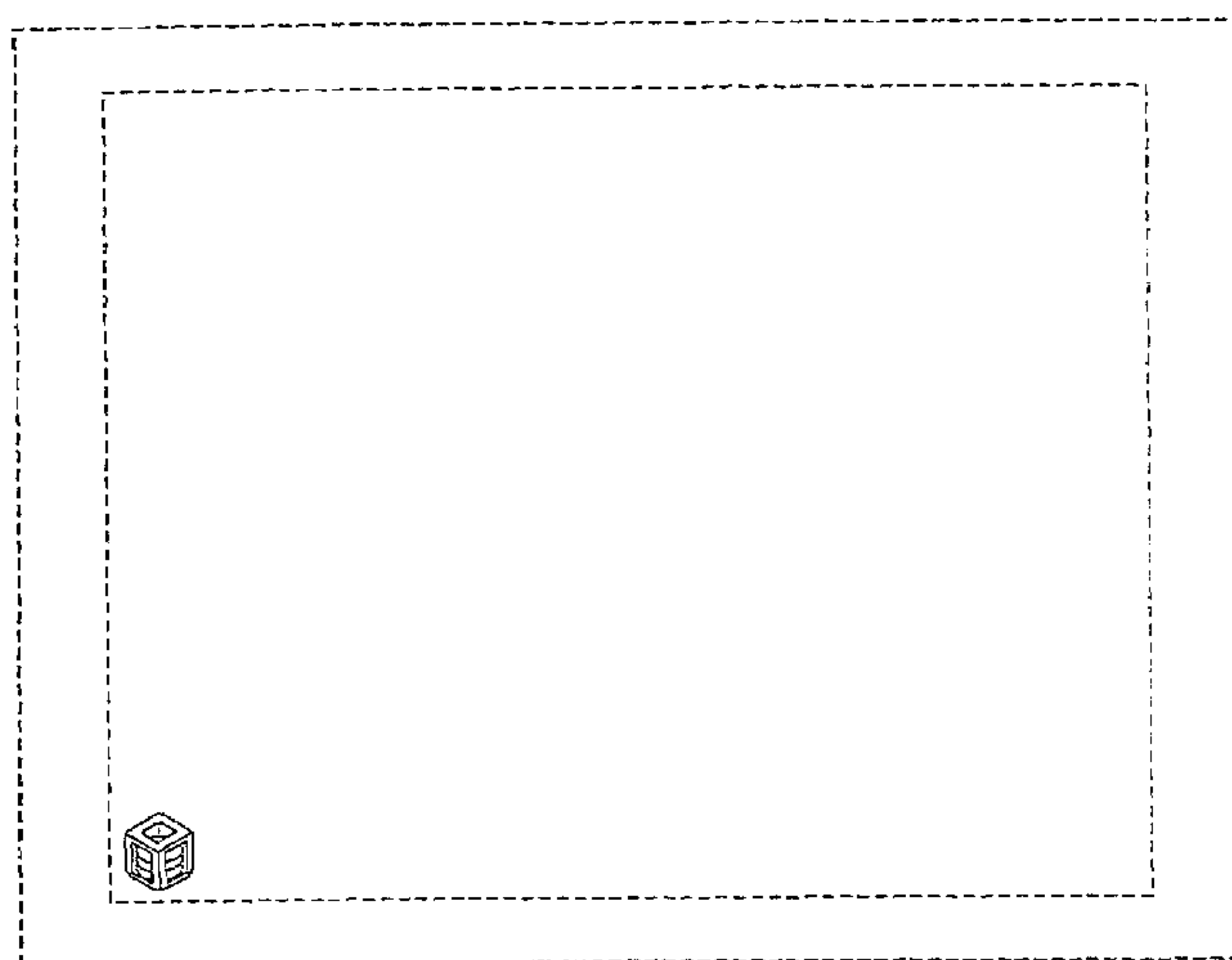
FIG. 1 is a front elevational view of a computer generated image for a display panel or screen showing my new design;

FIG. 2 is a front elevational view of another embodiment of a computer generated image for a display panel or screen showing my new design; and,

FIG. 3 is an enlarged front elevational view thereof, taken along the lines 3—3 of FIG. 2.

The broken lines illustrate portions of the computer generated image that form no part of the claimed design.

1 Claim, 3 Drawing Sheets



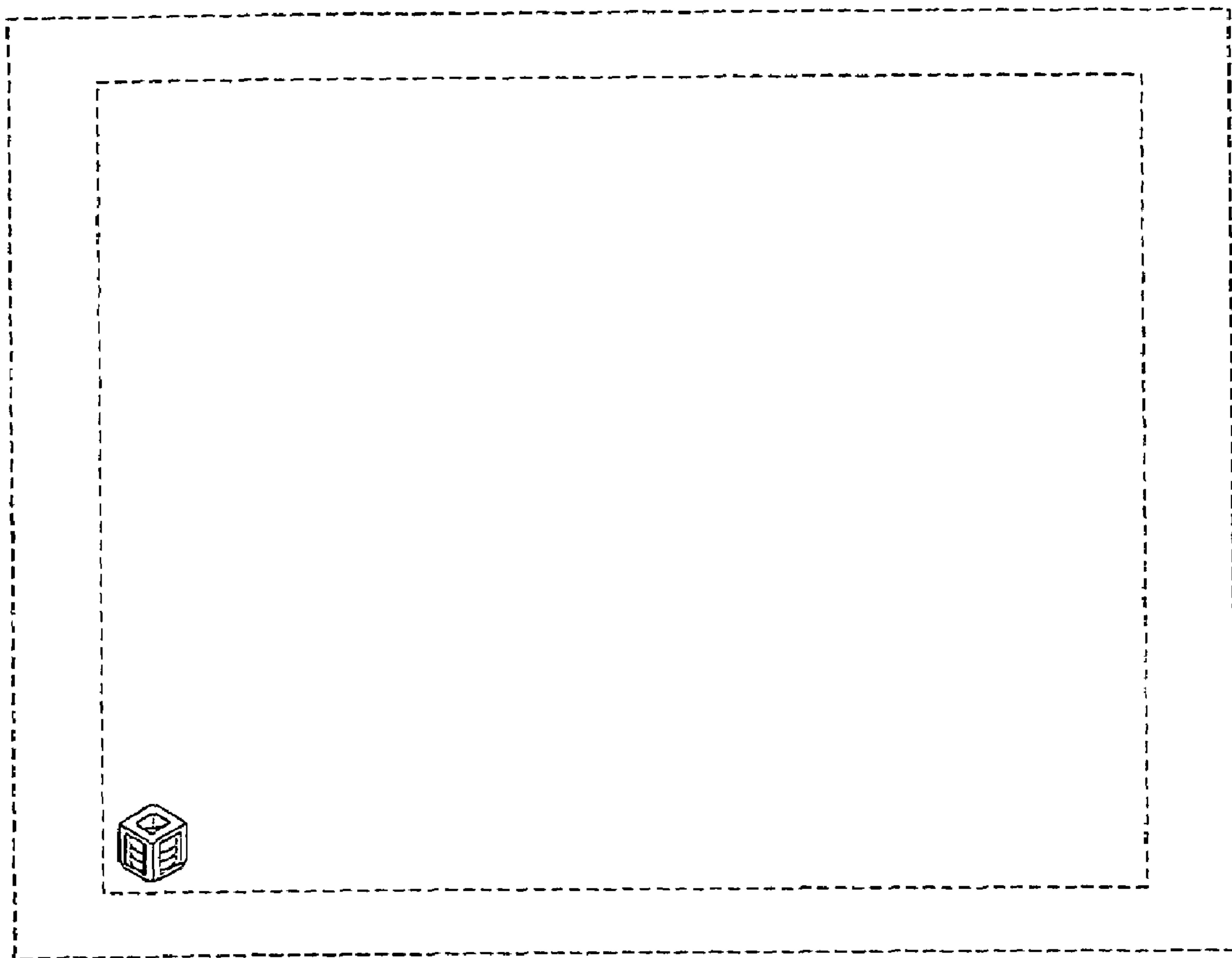


FIG. 1

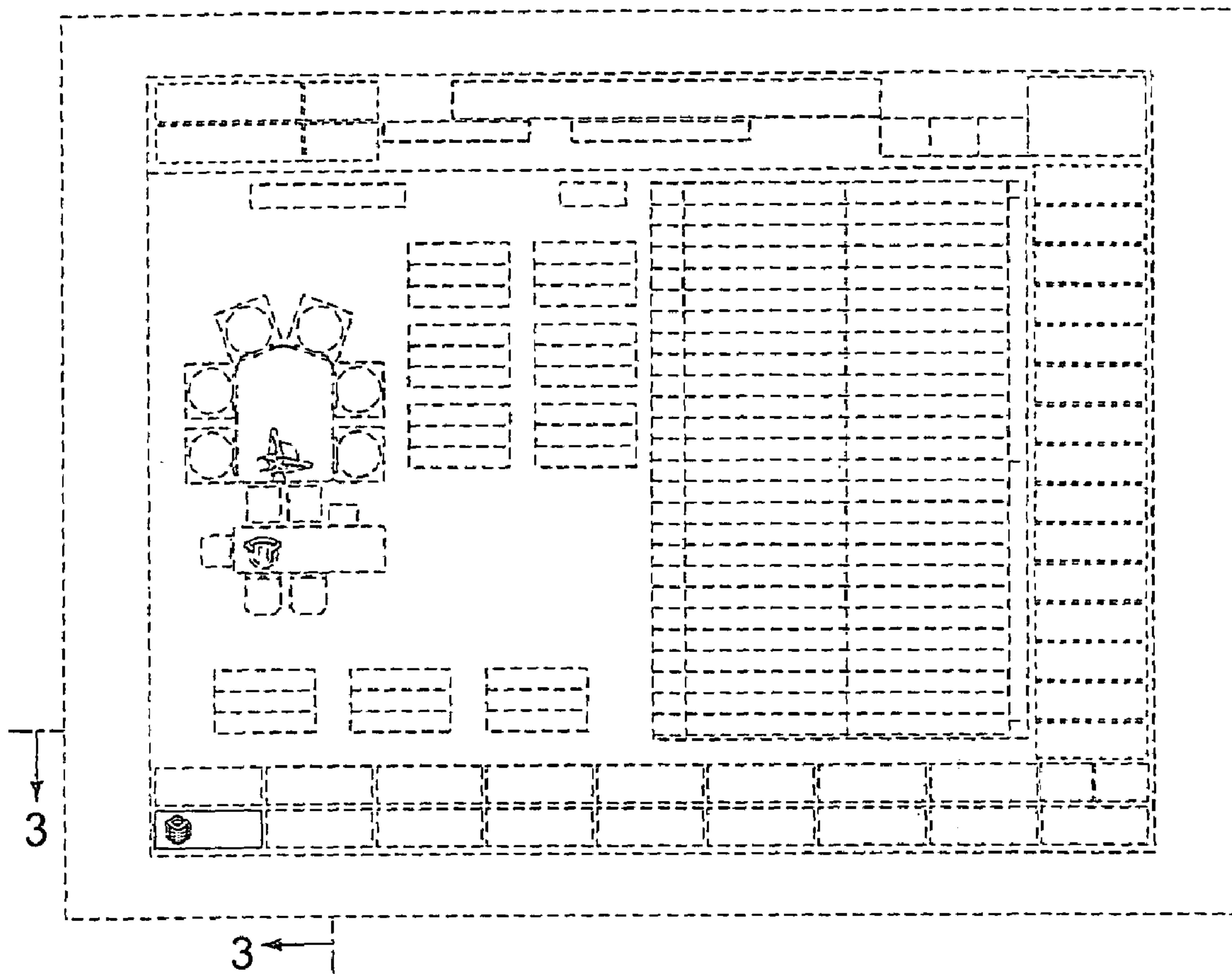


FIG. 2

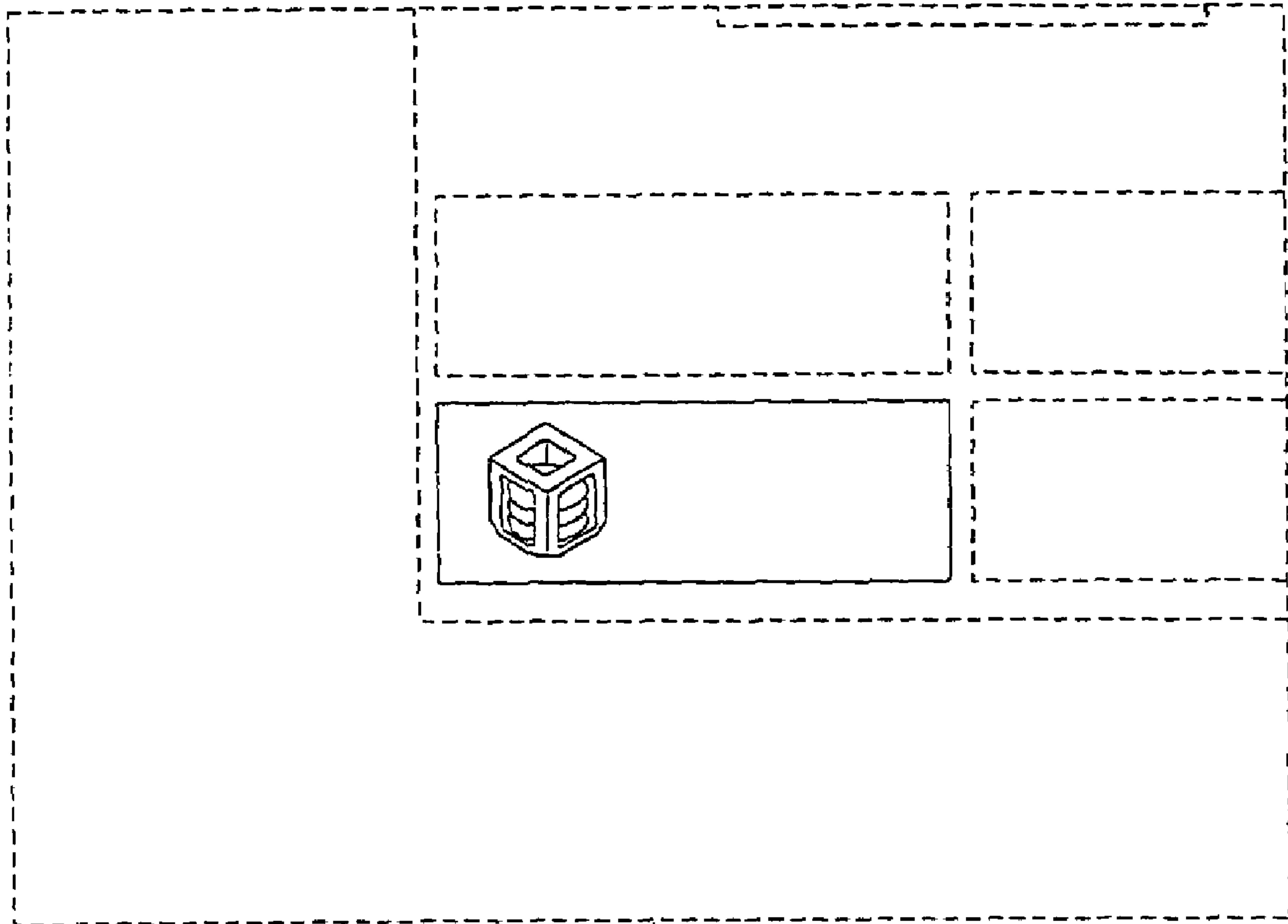


FIG. 3