



US00D563962S

(12) **United States Design Patent**  
**Grey**

(10) **Patent No.:** **US D563,962 S**

(45) **Date of Patent:** **\*\* Mar. 11, 2008**

(54) **TILT MOUNTING BRACKET FOR ELECTRONIC DISPLAY**

(75) Inventor: **Dominic Grey**, Blaine, MN (US)

(73) Assignee: **CSAV, Inc.**, Savage, MN (US)

(\*\*) Term: **14 Years**

(21) Appl. No.: **29/266,294**

(22) Filed: **Sep. 18, 2006**

(51) **LOC (8) Cl.** ..... **08-07**

(52) **U.S. Cl.** ..... **D14/452; D8/363**

(58) **Field of Classification Search** ..... **D8/363, D8/373; D14/451-452, 214, 224; 248/274.1, 248/284.1**

See application file for complete search history.

(56) **References Cited**

**U.S. PATENT DOCUMENTS**

6,102,348 A	8/2000	O'Neill	
D490,697 S	6/2004	Runnalls	
D493,800 S	8/2004	Pfister et al.	
D494,596 S	8/2004	Pfister	
6,923,413 B2	8/2005	Dozier	
D517,085 S *	3/2006	Deuschle	D14/451
D528,901 S	9/2006	David	
D530,595 S	10/2006	Lam et al.	
7,152,836 B2	12/2006	Pfister et al.	
D538,140 S	3/2007	Ly Hau et al.	
D538,141 S	3/2007	Stenhouse et al.	
D538,632 S	3/2007	Ly Hau et al.	
D539,125 S	3/2007	Ly Hau et al.	
D539,126 S	3/2007	Stenhouse et al.	
D539,637 S	4/2007	Ly Hau et al.	

**OTHER PUBLICATIONS**

Mounts by PDR, A Division of David Engineering, *Panel Display Pivot Mount*, pp. 4.  
FIMCO, *Wall Mount Kit for Plasma TV Screens*, Nov. 2003, pp. 12.  
PEERLESS, *SmartMount™ Universal Tilt Wall Mount for 32" to 50" Plasma and LCD Flat Panel Screens*, 2006, pp. 2.

PEERLESS, *SmartMount™ Universal Tilt Wall Mount for 61" to 102" Plasma and LCD Flat Panel Screens*, 2006, pp. 2.

PEERLESS, *SmartMount™ Universal Tilt Wall Mount for 42" to 71" Plasma and LCD Flat Panel Screens*, 2006, pp. 2.

PEERLESS, *SmartMount™ Universal Tilt Wall Mount for 32" to 60" Plasma and LCD Flat Panel Screens*, 2006, pp. 2.

PEERLESS, *SmartMount™ Universal Tilt Wall Mount for 23" to 46" Plasma and LCD Flat Panel Screens*, 2006, pp. 2.

PEERLESS, *SmartMount™ Universal Flat Wall Mount for 61" to 102" Plasma and LCD Flat Panel Screens*, 2006, pp. 2.

PEERLESS, *SmartMount™ Universal Flat Wall Mount for 42" to 71" Plasma and LCD Flat Panel Screens*, 2006, pp. 2.

(Continued)

*Primary Examiner*—Holly H. Baynham

(74) *Attorney, Agent, or Firm*—Patterson, Thunte, Skaar & Christensen, PA

(57) **CLAIM**

I claim the ornamental design for tilt mounting bracket for electronic display, as shown.

**DESCRIPTION**

FIG. 1 is a front perspective view of a tilt mounting bracket for electronic display according to an embodiment of the invention;

FIG. 2 is a front elevation view of the tilt mounting bracket for electronic display of FIG. 1;

FIG. 3 is a rear elevation view of the tilt mounting bracket for electronic display of FIG. 1;

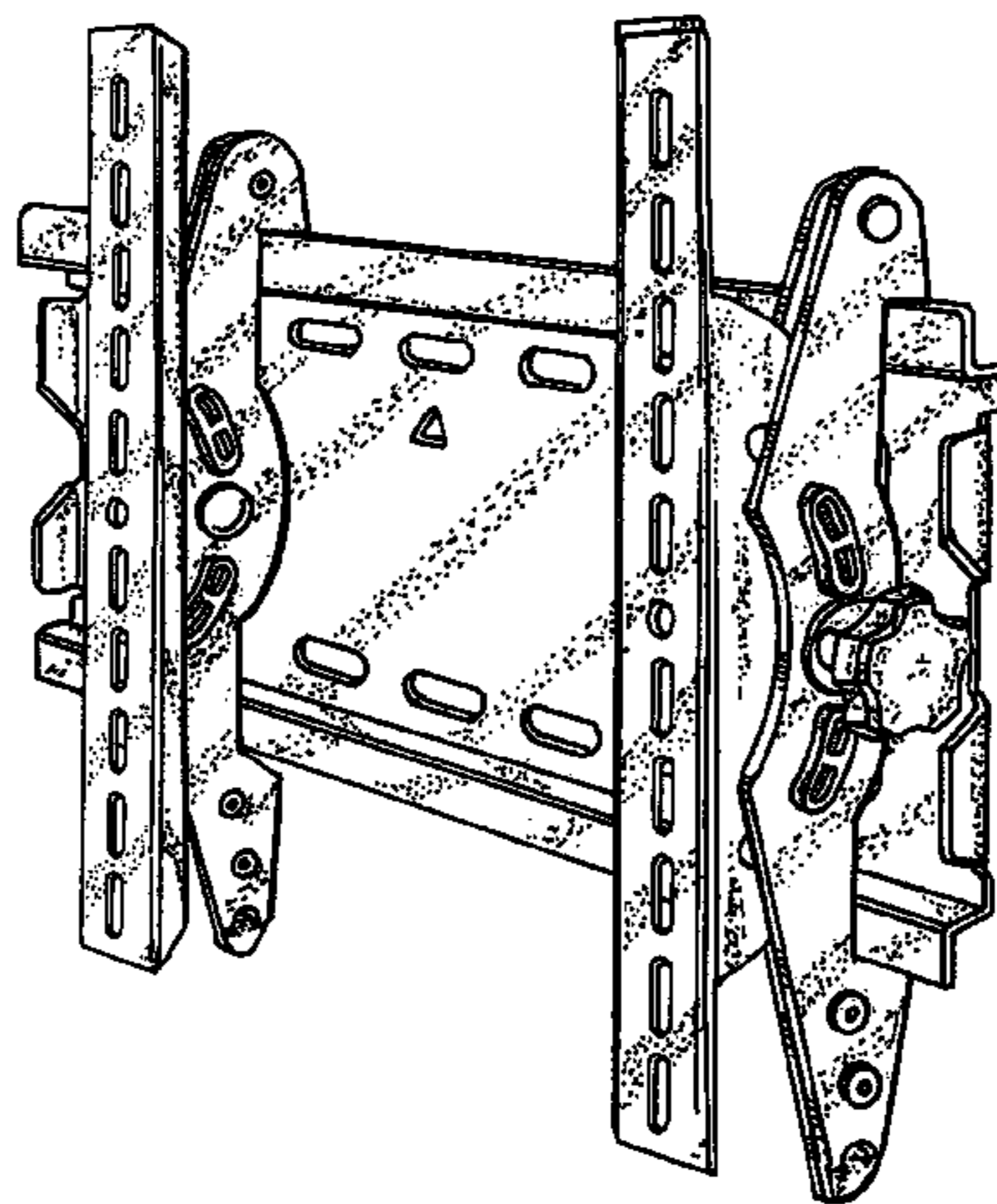
FIG. 4 is a top plan view of the tilt mounting bracket for electronic display of FIG. 1;

FIG. 5 is a bottom plan view of the tilt mounting bracket for electronic display of FIG. 1;

FIG. 6 is a side elevation view of the tilt mounting bracket for electronic display of FIG. 1; and,

FIG. 7 is an opposing side elevation view of the tilt mounting bracket for electronic display of FIG. 1.

**1 Claim, 3 Drawing Sheets**



OTHER PUBLICATIONS

PEERLESS, *SmartMount™ Universal Flat Wall Mount for 32" to 60" Plasma and LCD Flat Panel Screens*, 2006, pp. 2.

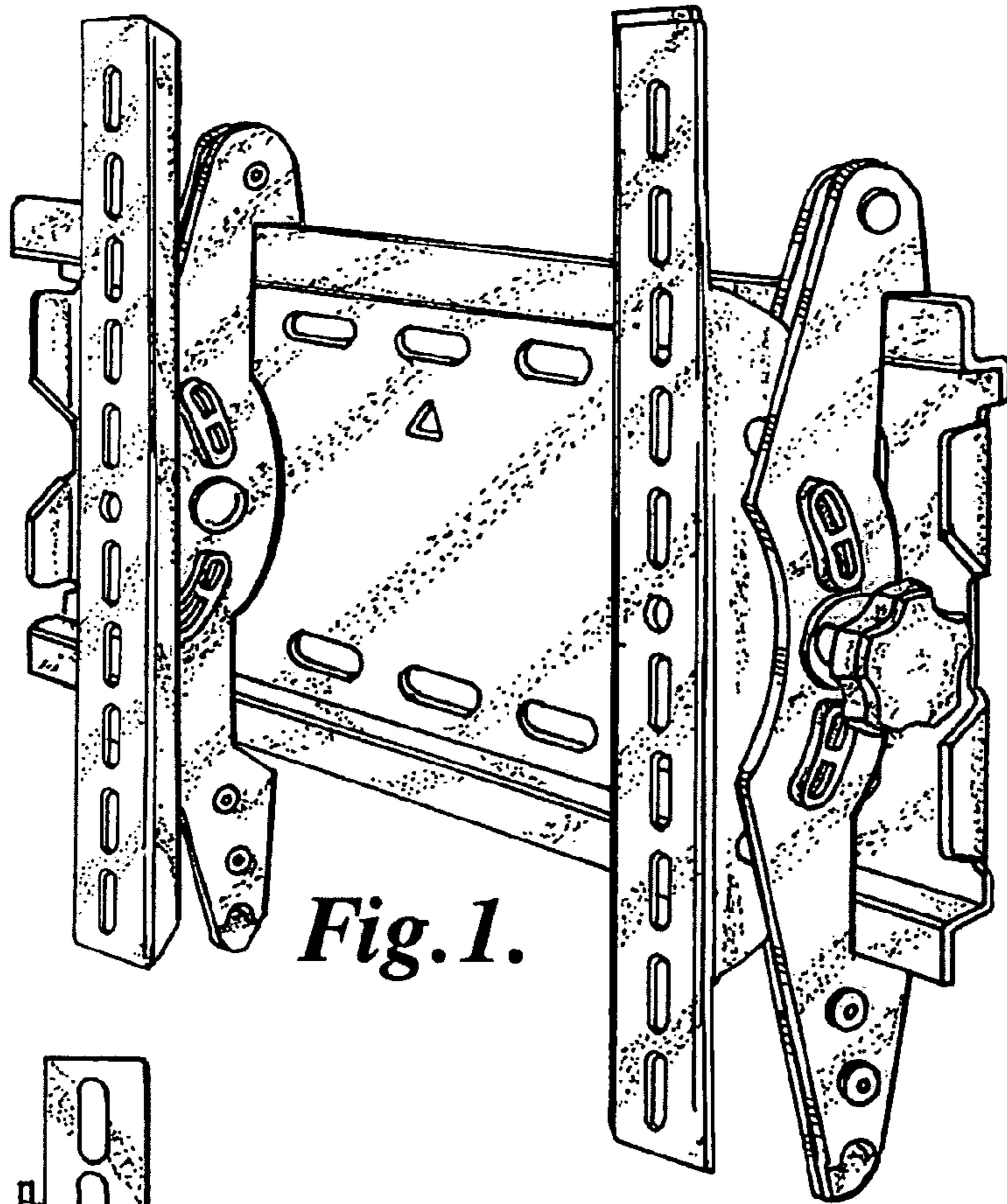
PEERLESS, *SmartMount™ Universal Flat Wall Mount for 23" to 46" LCD Flat Panel Screens*, 2006, pp. 2.

PEERLESS, *SmartMount™ Universal Tilt Wall Mount for 22" to 49" Screens*, Mar. 31, 2005, pp. 12.

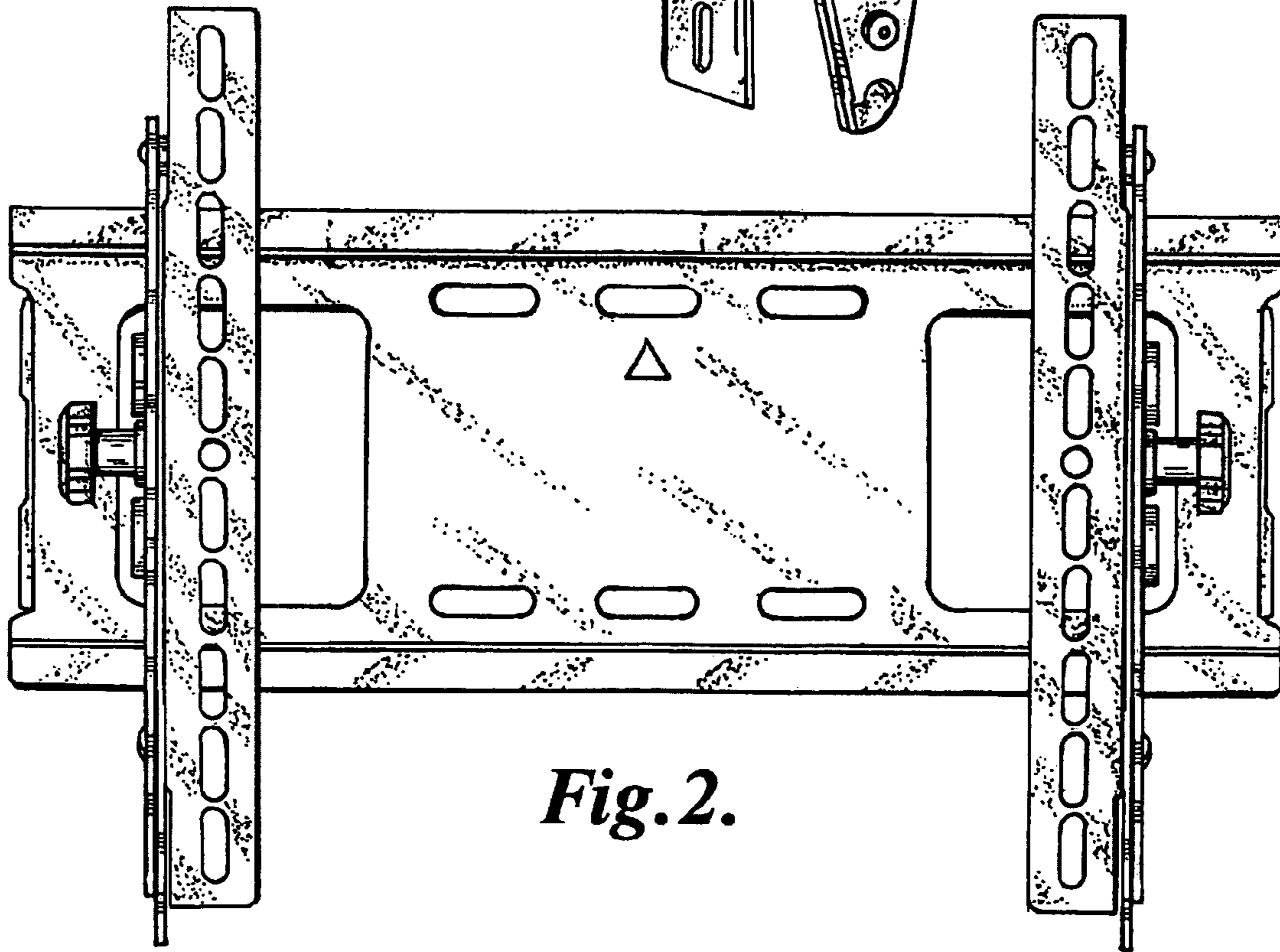
VIEWSONIC, *Mount*, 2005, pp. 1.

HITACHI, *Mount*, 2005, pp. 1.

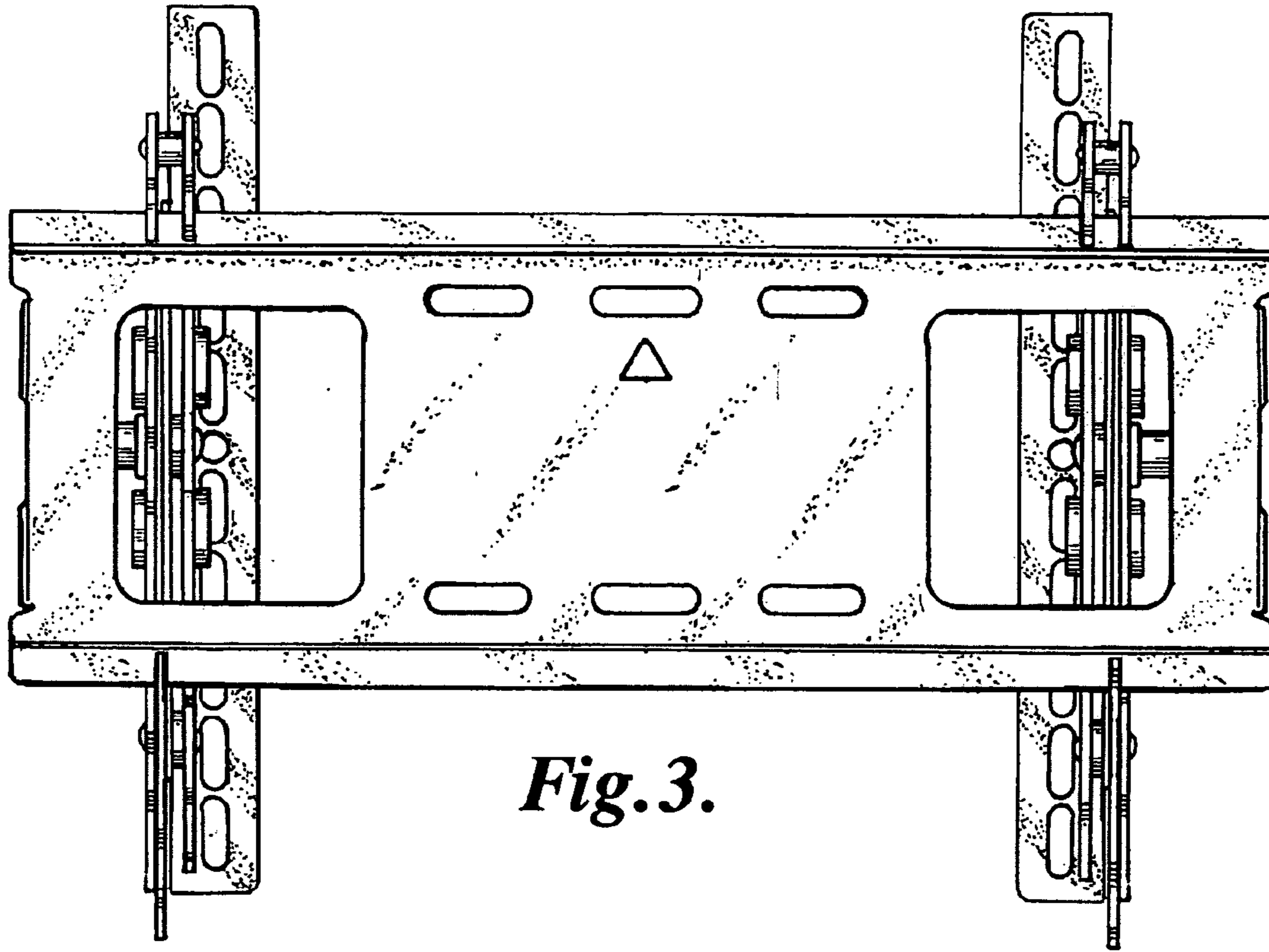
\* cited by examiner



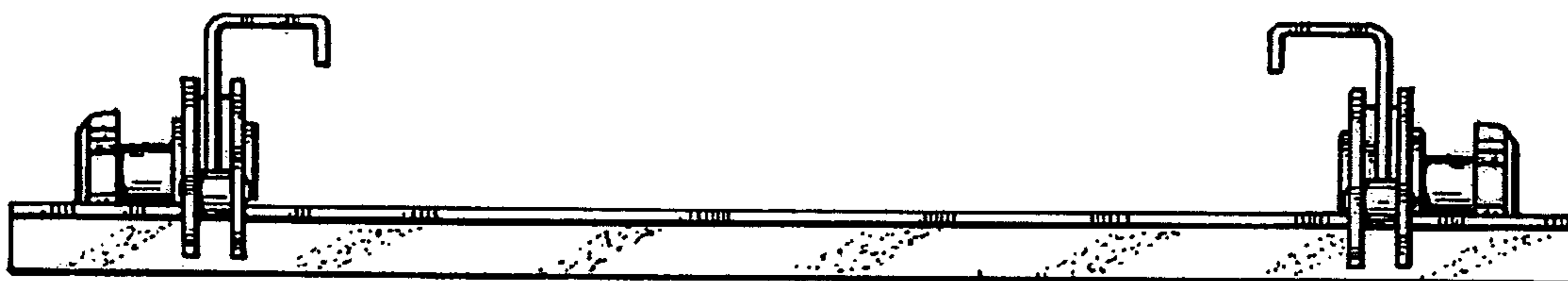
*Fig. 1.*



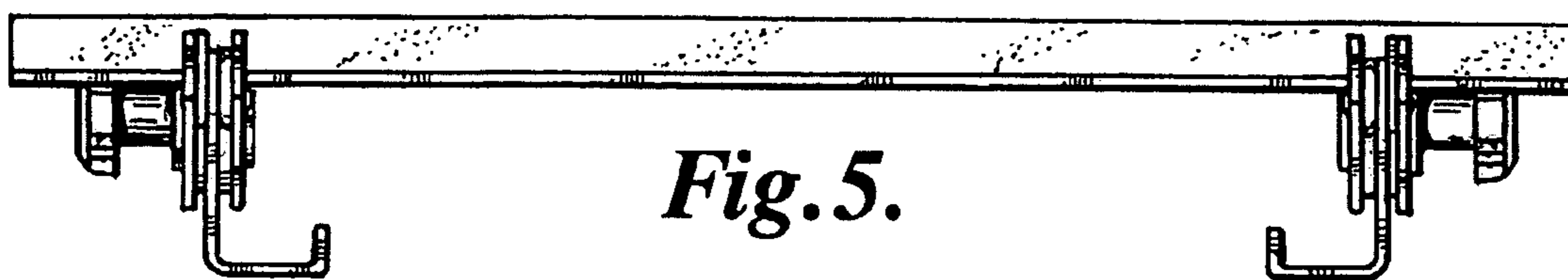
*Fig. 2.*



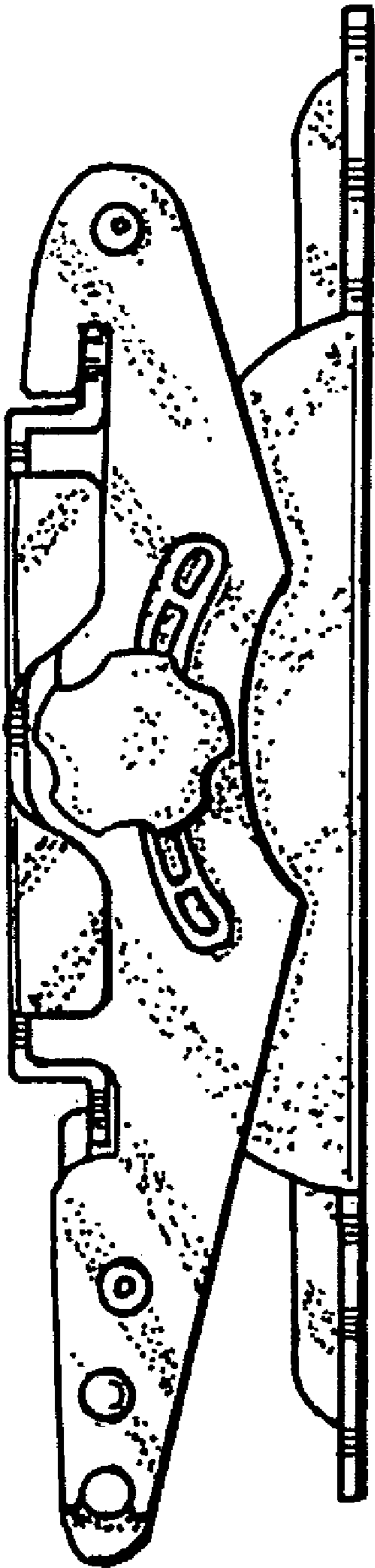
*Fig. 3.*



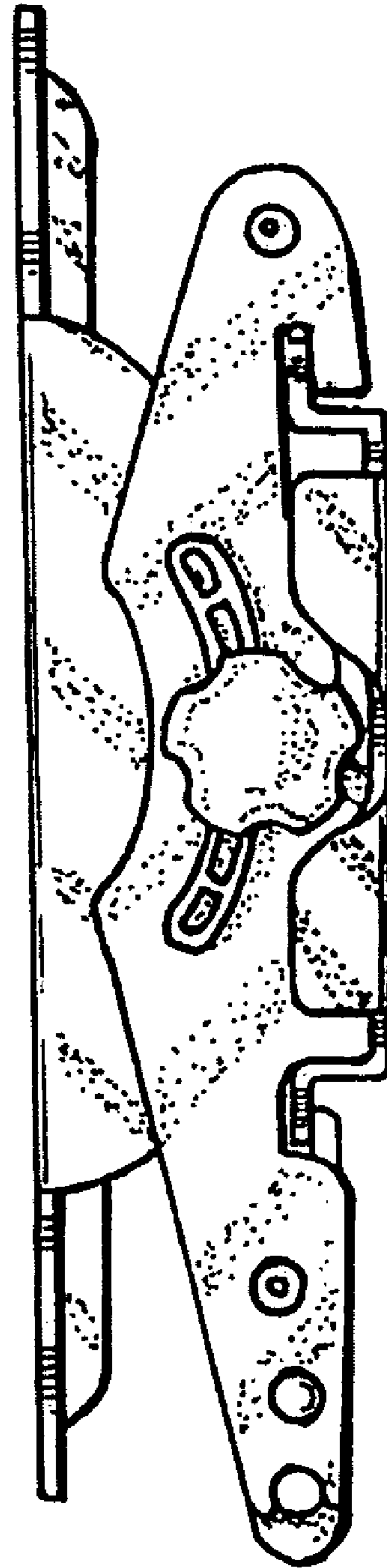
*Fig. 4.*



*Fig. 5.*



***Fig. 6.***



***Fig. 7.***