



US00D563961S

(12) **United States Design Patent**  
**Hughes et al.**

(10) **Patent No.: US D563,961 S**  
(45) **Date of Patent: \*\* Mar. 11, 2008**

(54) **MONITOR AND PRINTER STAND**

(75) Inventors: **William Scott Hughes**, Chicago, IL (US); **Christine D. Beilstein**, Chicago, IL (US); **Kurt Allen Melzer**, Chicago, IL (US)

(73) Assignee: **Sanford, L. P.**, Oak Brook, IL (US)

(\*\*) Term: **14 Years**

(21) Appl. No.: **29/282,905**

(22) Filed: **Aug. 1, 2007**

**Related U.S. Application Data**

(62) Division of application No. 29/259,063, filed on May 2, 2006.

(51) **LOC (8) Cl.** ..... **14-03**

(52) **U.S. Cl.** ..... **D14/451; D14/447**

(58) **Field of Classification Search** ..... D14/316, D14/356, 375, 376, 432, 434, 439, 447, 448, D14/451, 452, 457, 460, 328, 324, 405; D6/300, D6/310, 311, 312, 419, 449, 512, 513; D19/20, D19/89, 90, 91; 108/10, 28, 32, 6; 248/442.2, 248/454, 457, 460, 371, 447, 393, 398, 127, 248/133, 136, 178.1, 455, 349.1, 346.03, 248/176.1, 346.06, 346.04, 346.07, 346.01, 248/441.1, 917, 918, 919, 920, 921, 922, 248/923, 924; 361/683, 686  
See application file for complete search history.

(56) **References Cited**

**U.S. PATENT DOCUMENTS**

D296,852 S	7/1988	Buchweitz et al.	.....	D6/449
D298,493 S	* 11/1988	Hatcher et al.	.....	D6/474
D316,710 S	5/1991	Drake et al.	.....	D14/447
D333,300 S	2/1993	Hatcher	.....	D14/447
D334,304 S	3/1993	Gilman	.....	D6/449
D361,912 S	9/1995	Cleland	.....	D6/449
D362,358 S	9/1995	Hatcher	.....	D6/449

D370,366 S	*	6/1996	Watts	.....	D6/449
D373,600 S		9/1996	Oimas	.....	D19/91
D376,787 S		12/1996	Calfee	.....	D14/451
5,685,441 A		11/1997	Calfee	.....	211/194
D398,914 S		9/1998	Pulver	.....	D14/447
D438,402 S		3/2001	Walsh	.....	D6/449
6,474,614 B2		11/2002	MacEachern	.....	248/349.1
6,490,154 B2		12/2002	Thompson	.....	361/686
D476,662 S		7/2003	Knieper	.....	D14/460
6,682,040 B1		1/2004	MacEachern	.....	248/349.1
D540,330 S		4/2007	Eyman et al.	.....	D14/451

**OTHER PUBLICATIONS**

Undated renderings of general product concepts disclosed more than one year before May 2, 2006.

\* cited by examiner

*Primary Examiner*—Jennifer Rivard

*Assistant Examiner*—Angela J Lee

(74) *Attorney, Agent, or Firm*—Marshall Gerstein & Borun, LLP

(57) **CLAIM**

The ornamental design for a monitor and printer stand, as shown and described.

**DESCRIPTION**

FIG. 1 is a perspective view showing our new design for a monitor and printer stand;

FIG. 2 is a front view of the stand of FIG. 1;

FIG. 3 is a side view of the stand of FIG. 1, the opposite side view being a mirror image thereof;

FIG. 4 is top plan view of the stand of FIG. 1;

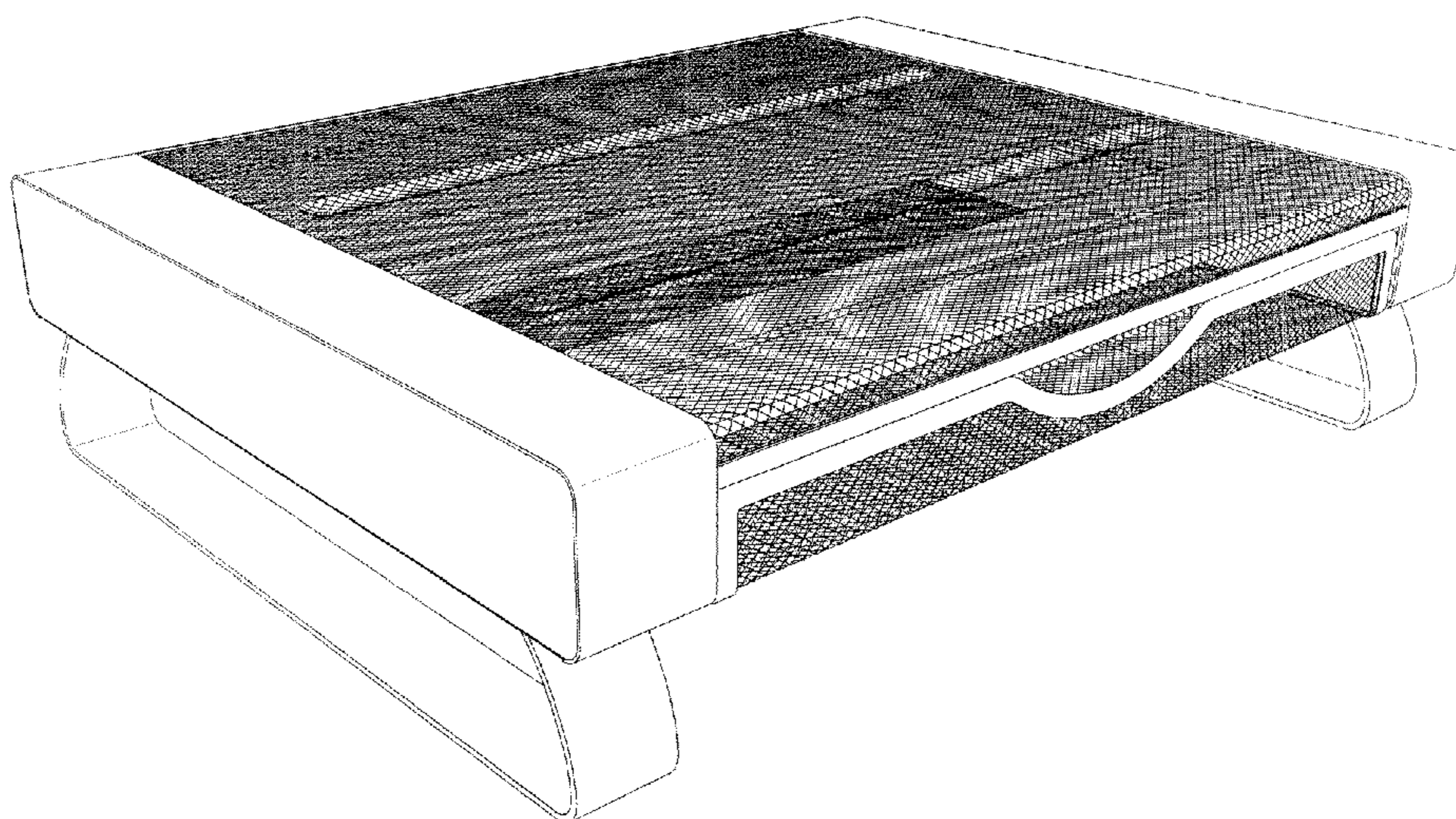
FIG. 5 is a bottom plan view of the stand of FIG. 1;

FIG. 6 is a rear view of the stand of FIG. 1; and,

FIG. 7 is a bottom perspective view of the stand of FIG. 1.

The broken lines are for the purpose of illustrating portions of the stand and form no part of the claimed design.

**1 Claim, 6 Drawing Sheets**



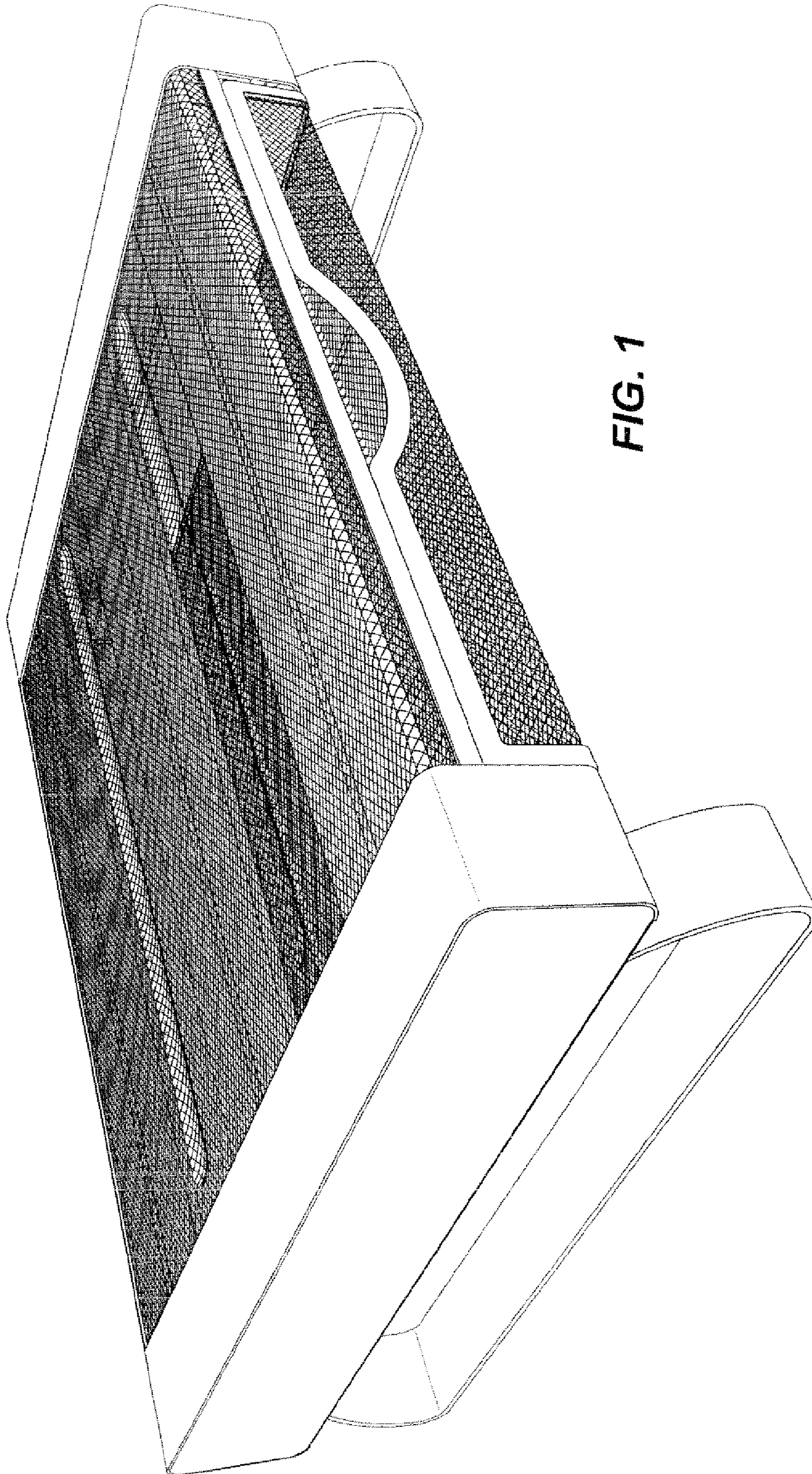
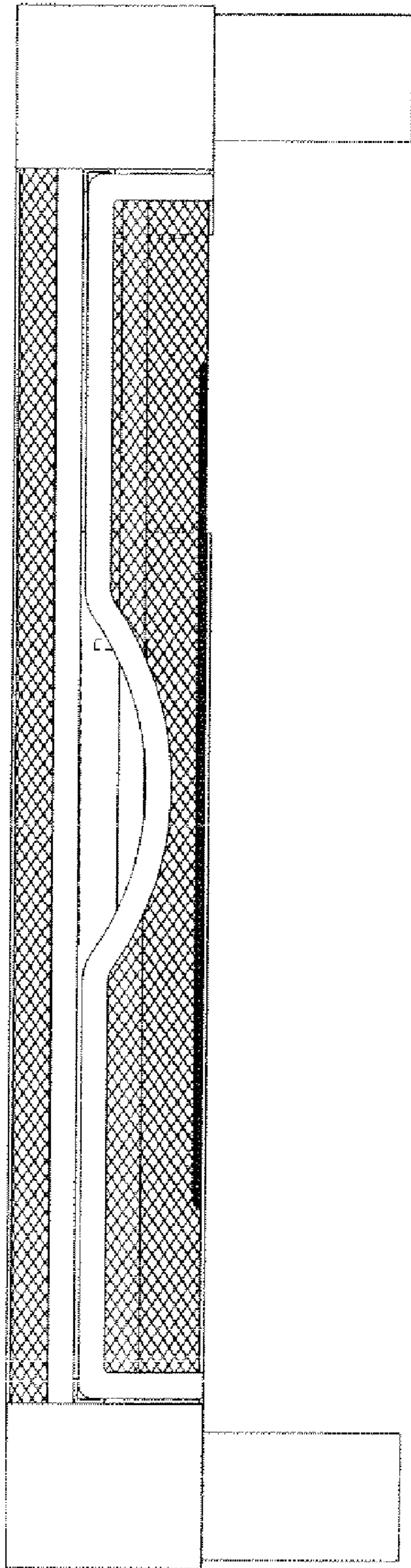
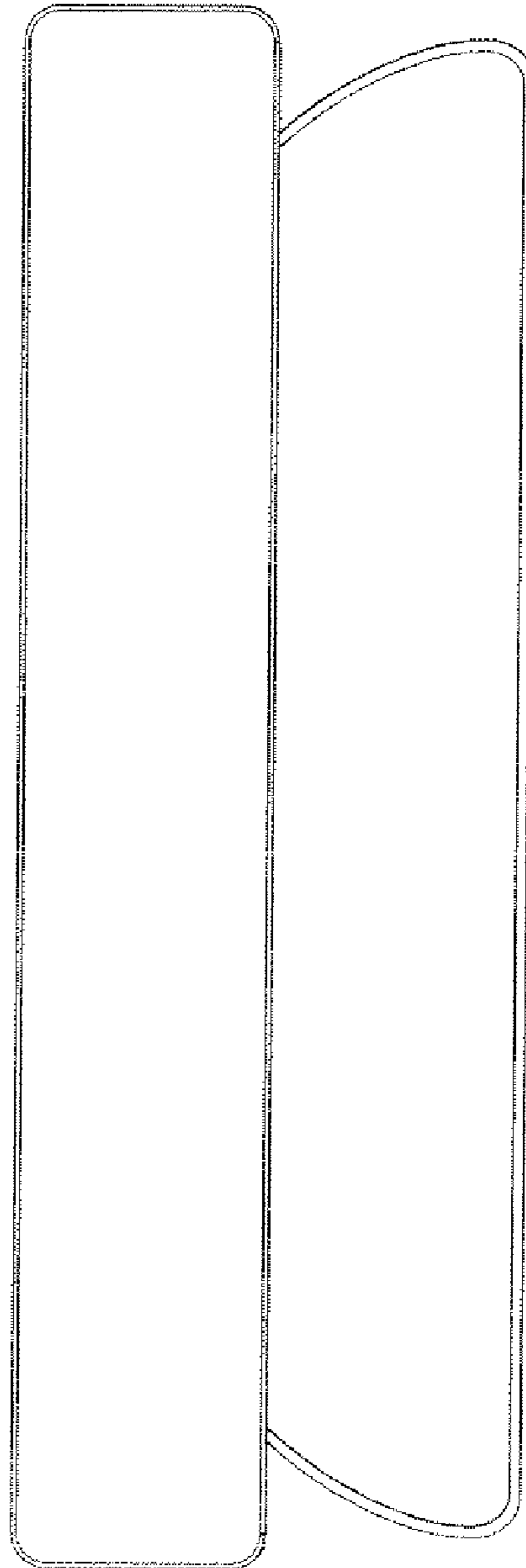


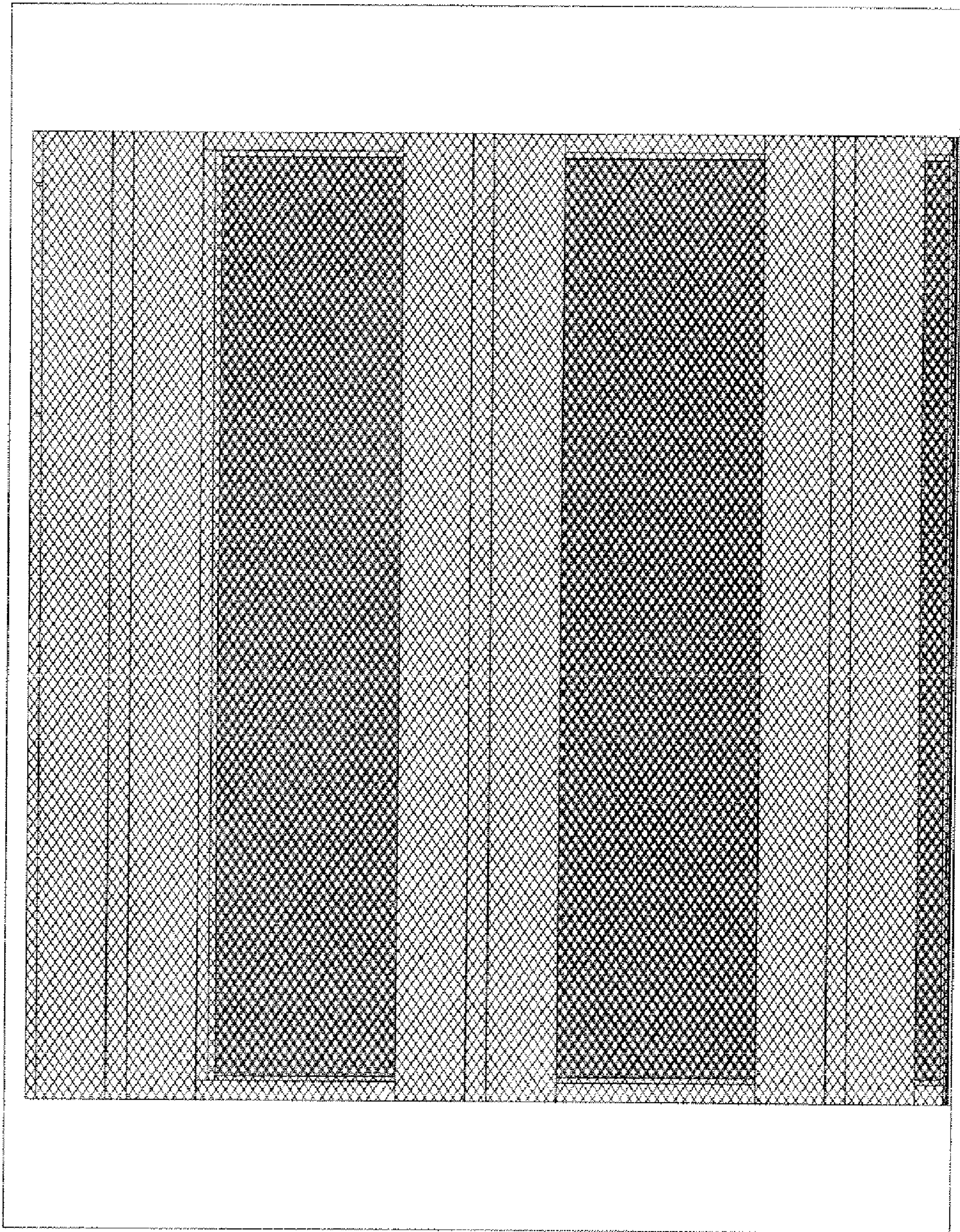
FIG. 1

**FIG. 2**



**FIG. 3**





**FIG. 4**

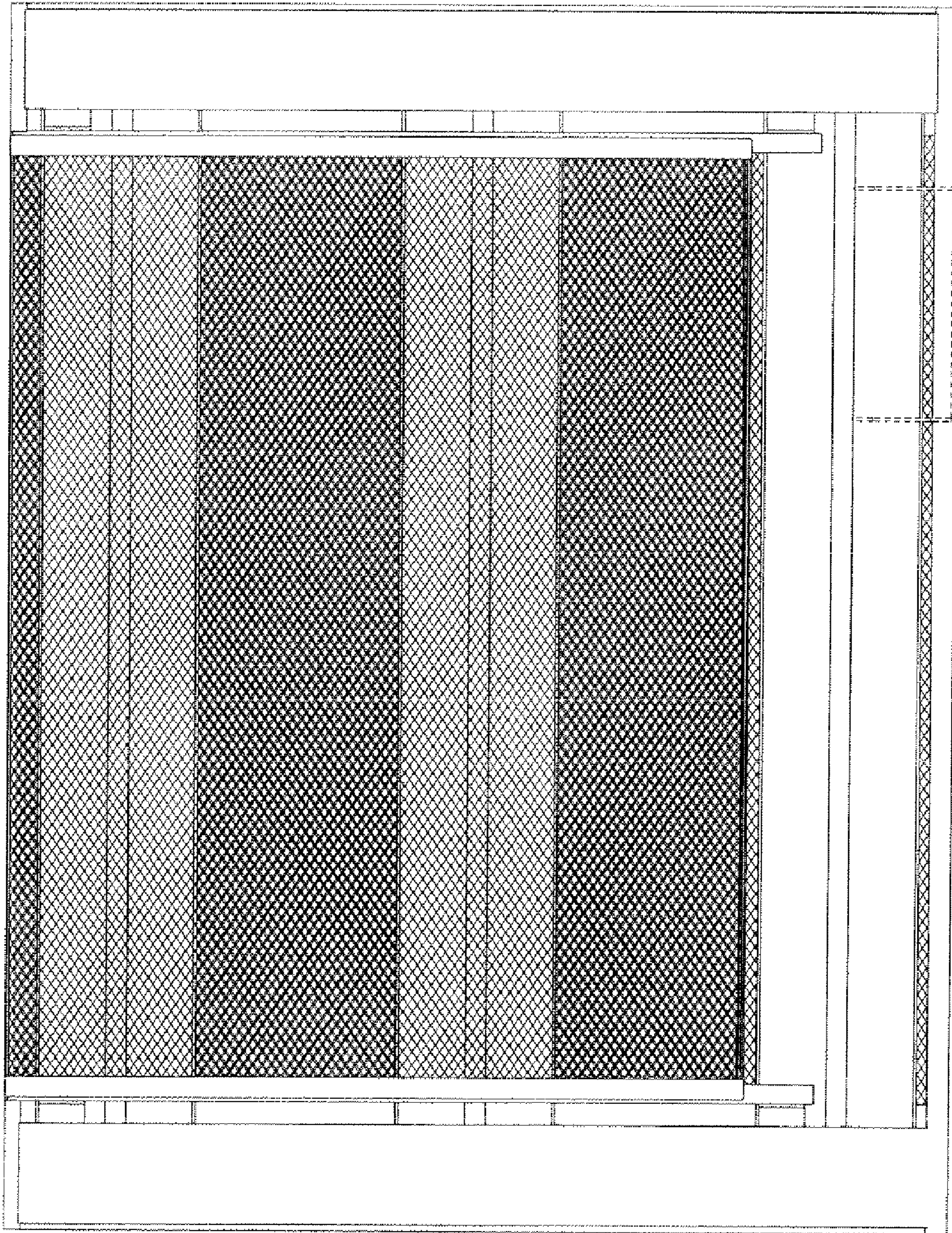
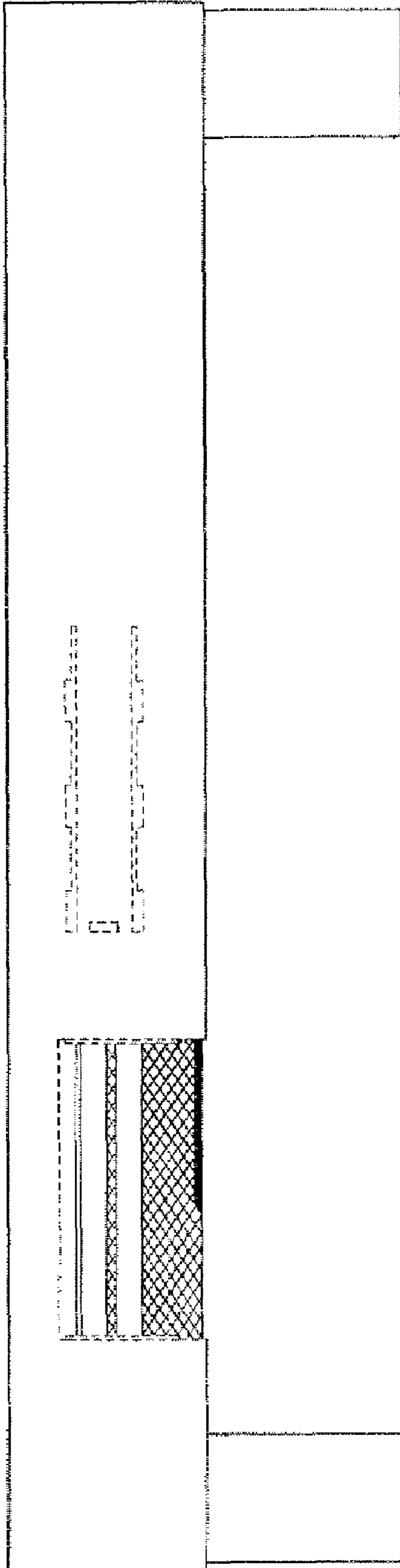
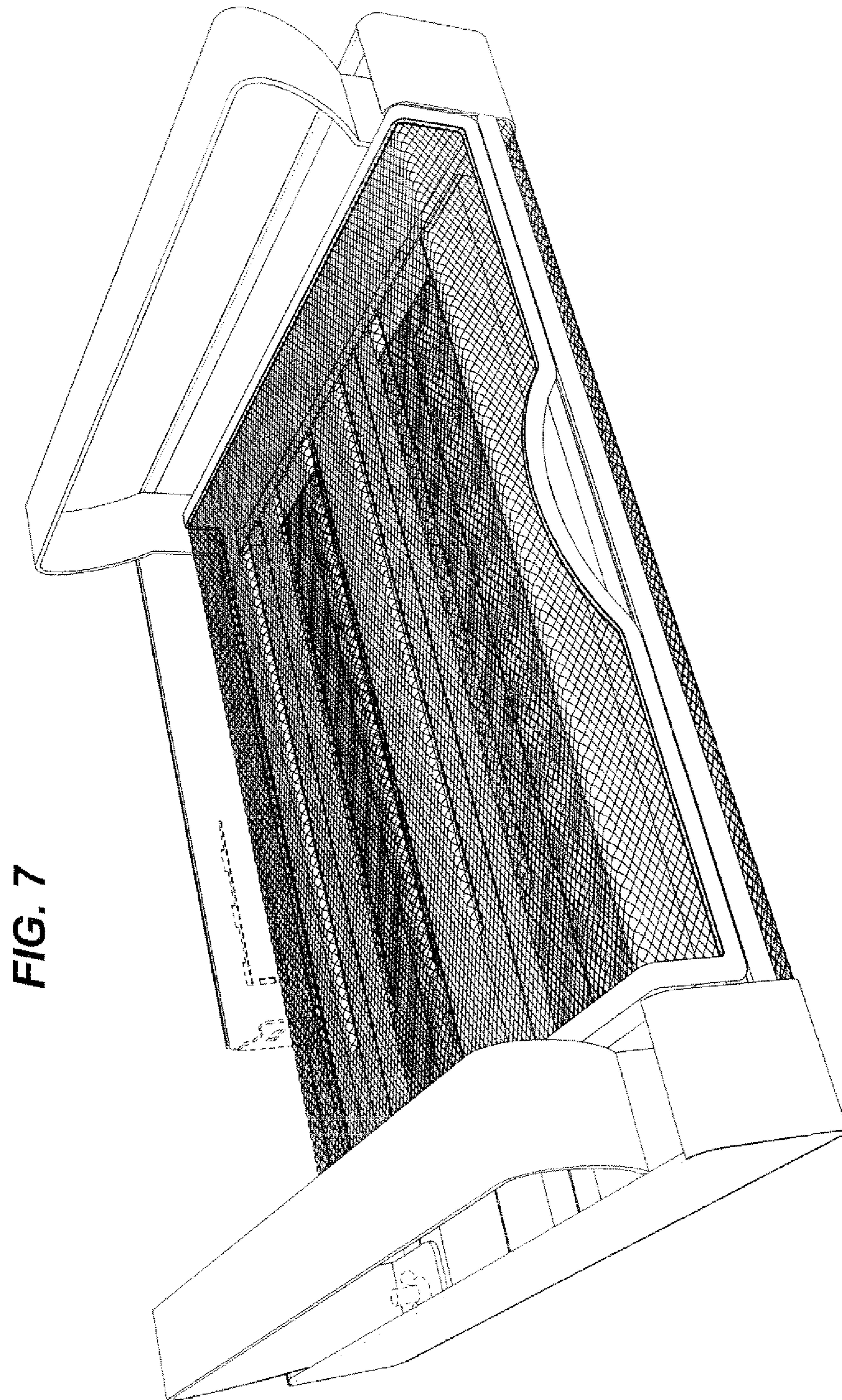


FIG. 5

**FIG. 6**





**FIG. 7**