



US00D563956S

(12) **United States Design Patent**
Kato

(10) **Patent No.: US D563,956 S**
(45) **Date of Patent: ** Mar. 11, 2008**

(54) **CARD READER**

(75) Inventor: **Masaki Kato**, Yamagata (JP)

(73) Assignee: **Mitsumi Electric Co., Ltd.**, Tokyo (JP)

(**) Term: **14 Years**

(21) Appl. No.: **29/274,122**

(22) Filed: **Mar. 29, 2007**

(30) **Foreign Application Priority Data**

Nov. 28, 2006 (JP) 2006-032488

(51) **LOC (8) Cl.** **14-02**

(52) **U.S. Cl.** **D14/385**; D14/348; D14/442

(58) **Field of Classification Search** D14/240,
D14/355-358, 363, 365, 367-370, 383-386,
D14/389, 432, 434, 441, 442, 344, 347, 387,
D14/125, 341, 433, 439, 348, 301; D18/4.1-4.6;
D13/162, 164, 177, 184; 361/600, 737, 685,
361/724-727, 689, 818, 684, 686, 728, 747;
235/382, 382.5, 476, 482, 483; 355/64, 65,
355/81; 250/556; 369/75.11; 710/300,
710/301

See application file for complete search history.

(56) **References Cited**

U.S. PATENT DOCUMENTS

D344,717 S * 3/1994 Cruz et al. D14/348
5,330,360 A * 7/1994 Marsh et al. 361/737
D354,277 S * 1/1995 Kuzumoto et al. D14/434
D357,904 S * 5/1995 Kimbrough D14/348
D363,474 S * 10/1995 Takasu et al. D14/369
D381,012 S * 7/1997 Esslinger et al. D14/348
D386,752 S * 11/1997 Han D14/348

D404,383 S * 1/1999 Chang D14/367
5,897,178 A * 4/1999 Ohara 361/725
5,926,916 A * 7/1999 Lee et al. 361/724
D426,831 S * 6/2000 Hu D14/348
D428,886 S * 8/2000 Hu D14/348
D434,774 S * 12/2000 Alo et al. D14/442
D455,422 S * 4/2002 Bath D14/301

(Continued)

OTHER PUBLICATIONS

U.S. Appl. No. 29/274,127, filed Mar. 29, 2007, Masaki Kato.
U.S. Appl. No. 29/274,126, filed Mar. 29, 2007, Masaki Kato.
U.S. Appl. No. 29/274,121, filed Mar. 29, 2007, Masaki Kato.

Primary Examiner—Cathron Brooks

Assistant Examiner—Deanna Fluegeman

(74) *Attorney, Agent, or Firm*—Sughrue Mion, PLLC

(57) **CLAIM**

The ornamental design for a card reader, as shown and described.

DESCRIPTION

FIG. 1 is a perspective view of the top, front and right side of a card reader showing my new design;

FIG. 2 is a front elevational view thereof;

FIG. 3 is a rear elevational view thereof;

FIG. 4 is a right side elevational view thereof;

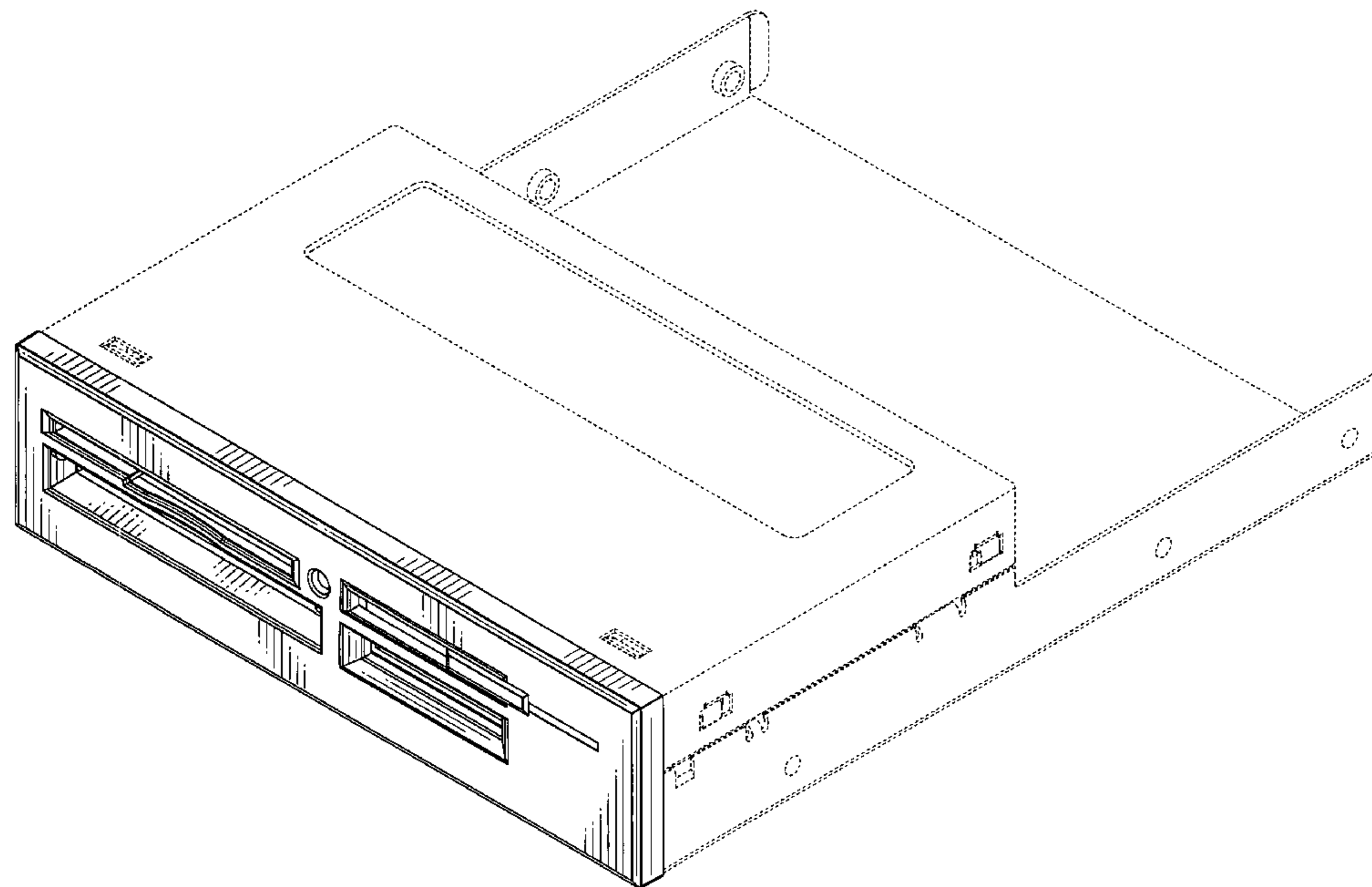
FIG. 5 is a left side elevational view thereof;

FIG. 6 is a top plan view thereof; and,

FIG. 7 is a bottom plan view thereof.

The portions shown in broken lines are for illustrative purposes only and form no part of the claimed design.

1 Claim, 5 Drawing Sheets



US D563,956 S

Page 2

U.S. PATENT DOCUMENTS

D471,193 S *	3/2003	Chen et al.	D14/348	7,035,098 B2 *	4/2006	Huang et al.	361/685
D482,364 S *	11/2003	Nishio et al.	D14/433	D522,511 S *	6/2006	Sekou	D14/385
D484,881 S *	1/2004	Lai	D14/385	D529,492 S *	10/2006	Hino et al.	D14/348
D490,425 S *	5/2004	Nishio et al.	D14/367	D549,701 S *	8/2007	Seo et al.	D14/348
D492,683 S *	7/2004	Nishio et al.	D14/367	2005/0128919 A1 *	6/2005	Huang et al.	369/75.11
D493,171 S *	7/2004	Nishio et al.	D14/367	2006/0209507 A1 *	9/2006	Sidle et al.	361/685
D502,947 S *	3/2005	Zhang et al.	D14/385	2006/0227501 A1 *	10/2006	Lin	361/685
D515,575 S *	2/2006	Dong et al.	D14/385	2007/0030638 A1 *	2/2007	Rumney	361/685
D518,823 S *	4/2006	Huang	D14/367	2007/0159800 A1 *	7/2007	Matsui	361/724

* cited by examiner

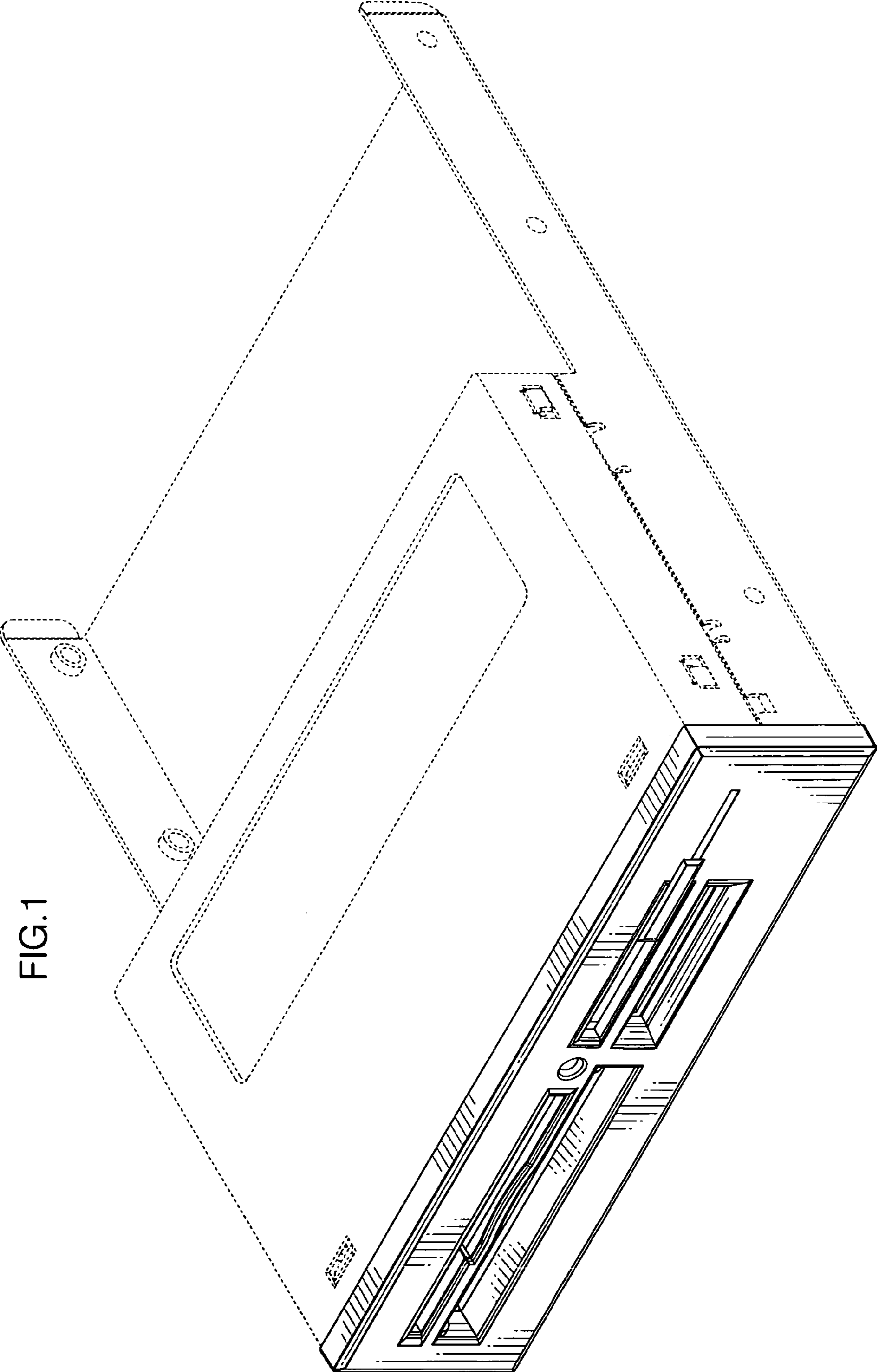


FIG.1

FIG.2

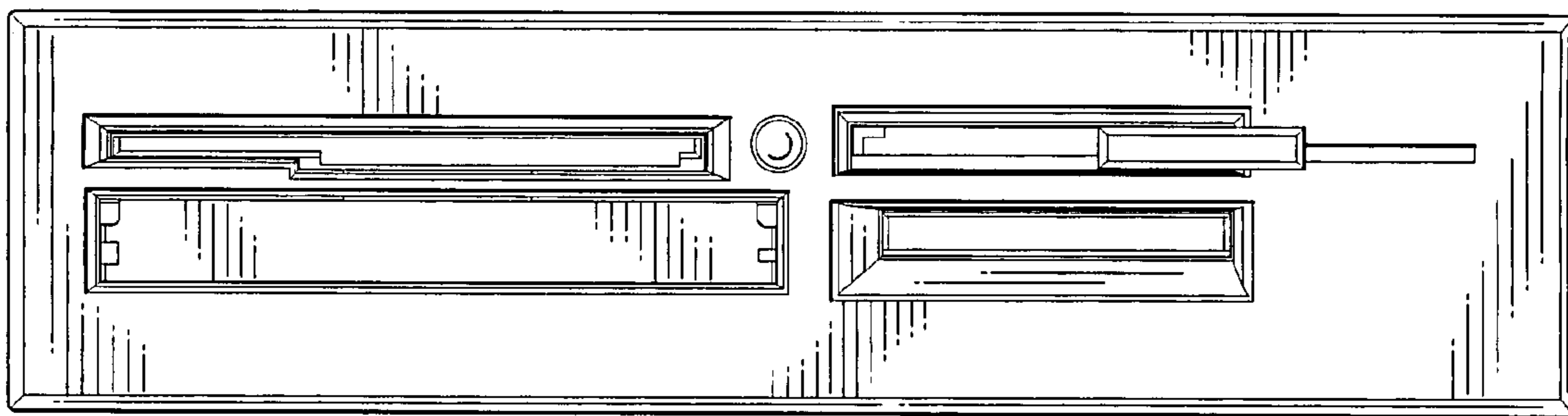


FIG.3

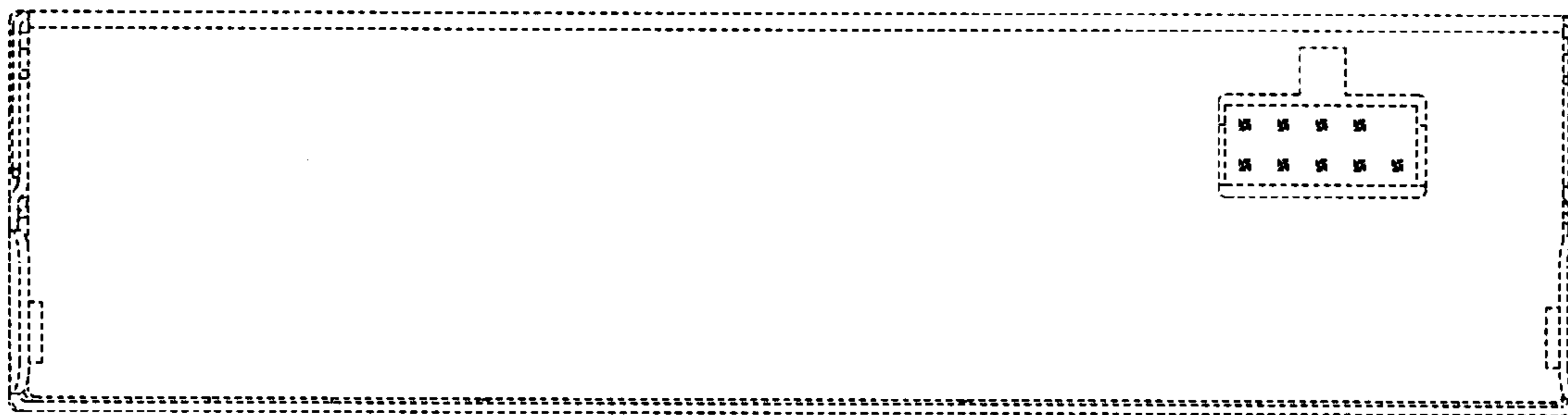


FIG.4

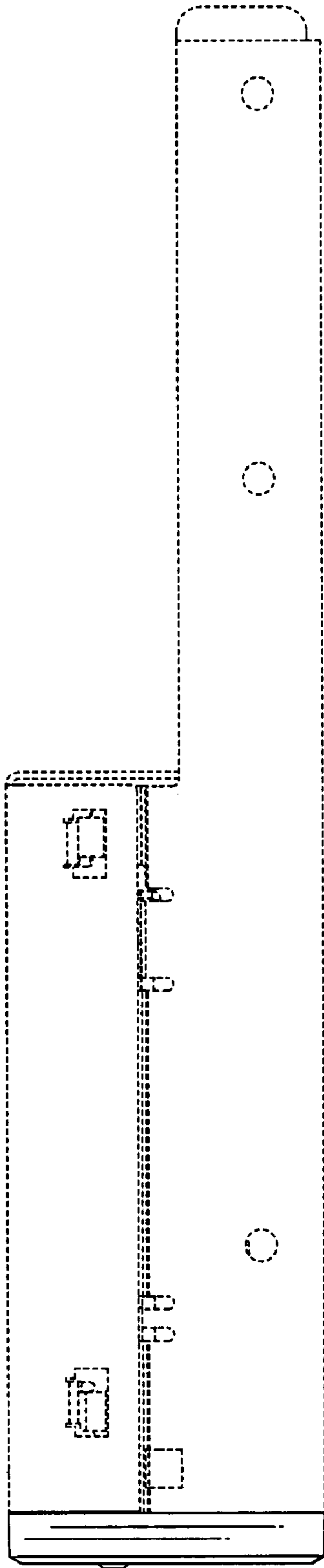


FIG.5

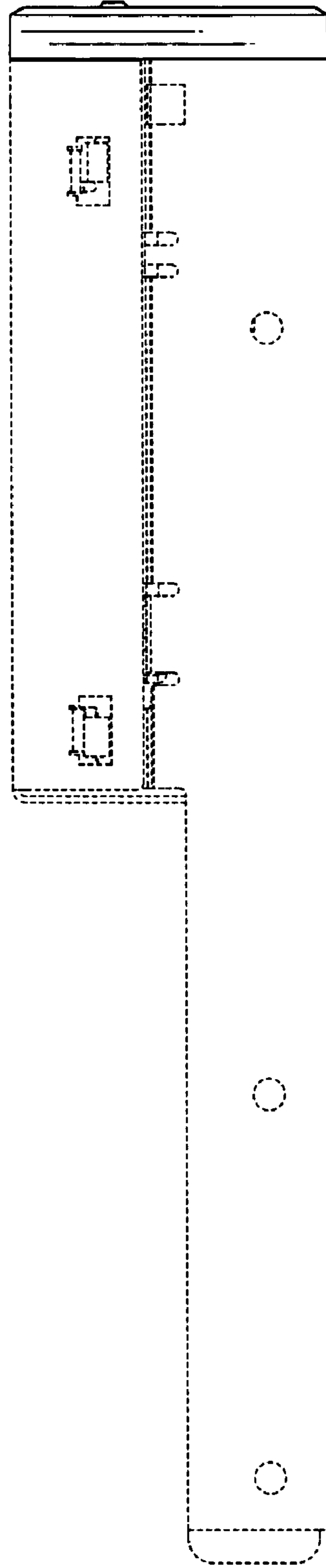


FIG.6

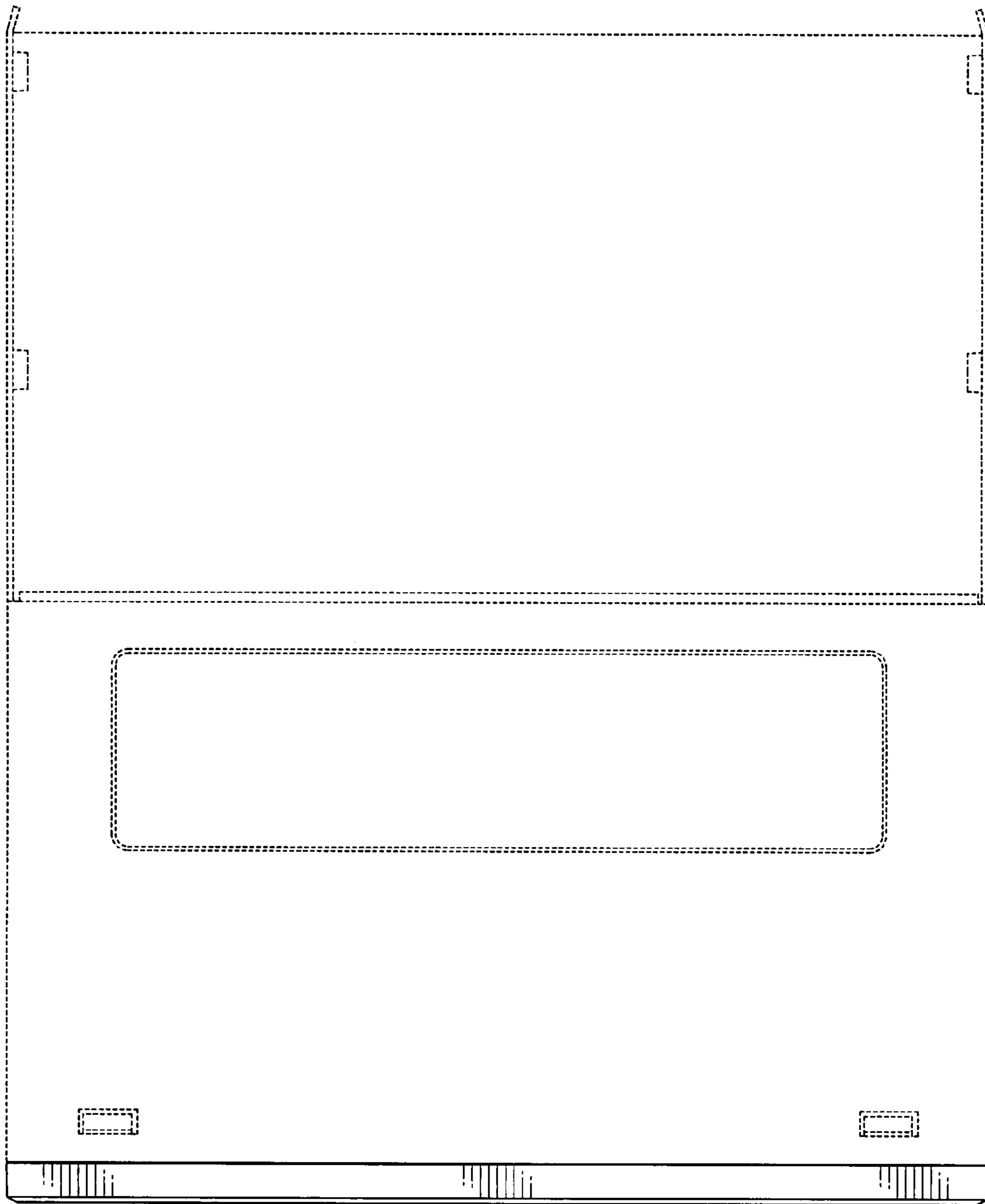


FIG. 7

