



US00D563952S

(12) **United States Design Patent**  
**Yamamoto et al.**

(10) **Patent No.:** **US D563,952 S**  
(45) **Date of Patent:** **\*\* Mar. 11, 2008**

(54) **DISC PLAYER WITH RADIO TUNER**

D263,584 S \* 3/1982 Castagna et al. .... D14/258  
4,532,162 A \* 7/1985 Neece ..... 428/31  
D281,418 S \* 11/1985 Lewis et al. .... D14/258

(75) Inventors: **Hiroshi Yamamoto**, Yokohama (JP);  
**Kenji Kimura**, Tsuchiura (JP);  
**Kazufumi Sei**, Tokyo (JP)

\* cited by examiner

(73) Assignee: **Victor Company of Japan, Limited**,  
Yokohama (JP)

*Primary Examiner*—Robert M. Spear  
*Assistant Examiner*—Katrina A Kile

(\*\*) Term: **14 Years**

(74) *Attorney, Agent, or Firm*—The Nath Law Group; Jerald  
L. Meyer; Derek Richmond

(21) Appl. No.: **29/261,729**

(57) **CLAIM**

(22) Filed: **Jun. 20, 2006**

The ornamental design for a disc player with radio tuner, as  
shown and described.

(30) **Foreign Application Priority Data**

**DESCRIPTION**

Dec. 21, 2005 (JP) ..... D2005-037531

(51) **LOC (8) Cl.** ..... **14-01**

(52) **U.S. Cl.** ..... **D14/258**

(58) **Field of Classification Search** ..... D14/258,  
D14/257, 224, 217, 198, 197, 171, 170, 168,  
D14/167, 164, 162, 161, 160, 157, 156, 136,  
D14/145; 720/691, 658, 270; 455/344,  
455/575.1; 396/434, 93, 75.1, 258; 360/47,  
360/4; 359/550, 258; 349/460, 159, 10  
See application file for complete search history.

FIG. 1 is a perspective view of a disc player with radio tuner;  
FIG. 2 is a front view thereof;  
FIG. 3 is a rear view thereof;  
FIG. 4 is a right side view thereof;  
FIG. 5 is a left side view thereof;  
FIG. 6 is a top plan view thereof; and,  
FIG. 7 is a bottom view thereof.

(56) **References Cited**

The broken lines shown in the views are for illustrative  
purpose only and form no part of the claimed design.

**U.S. PATENT DOCUMENTS**

D261,758 S \* 11/1981 Castagna et al. .... D14/258

**1 Claim, 4 Drawing Sheets**

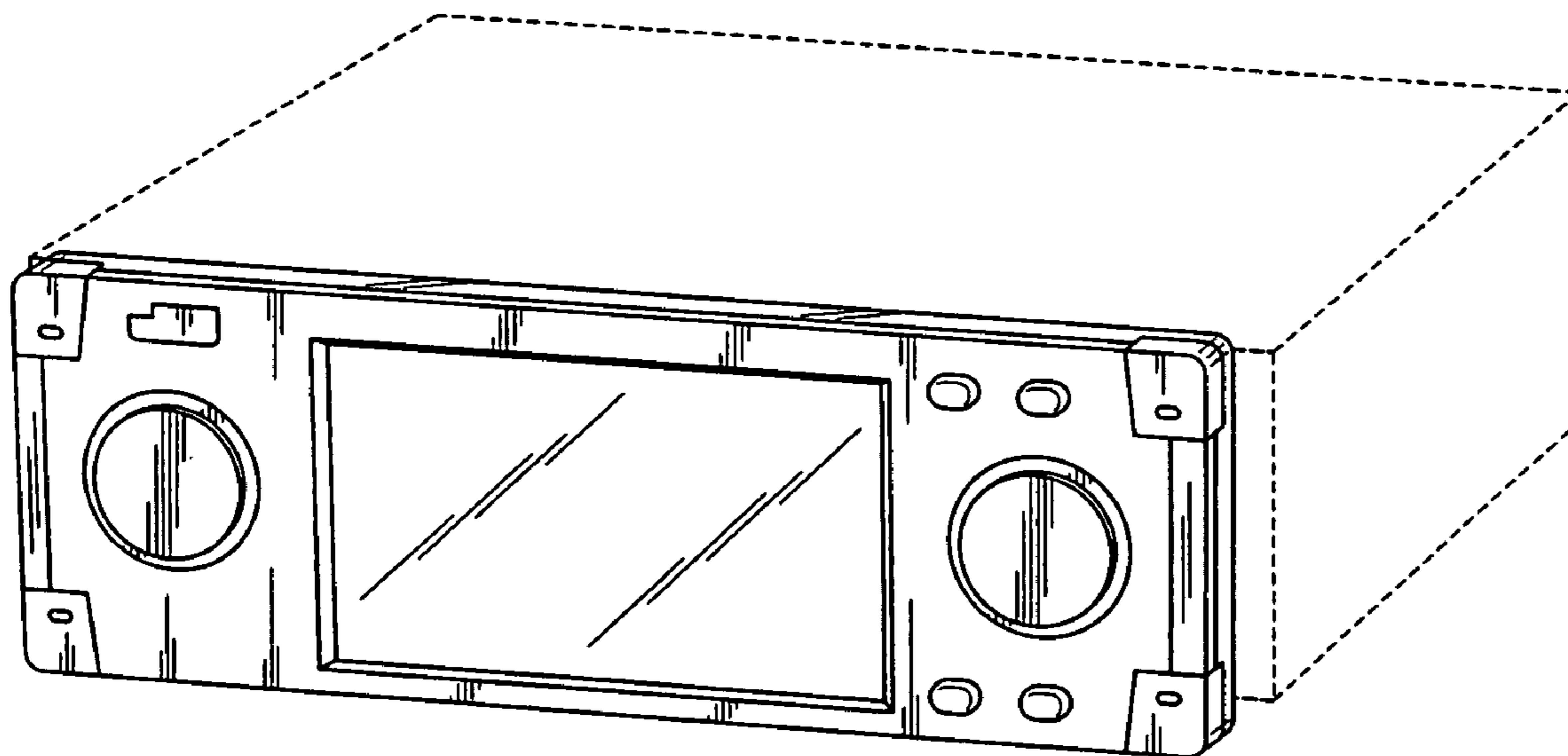


Fig.1

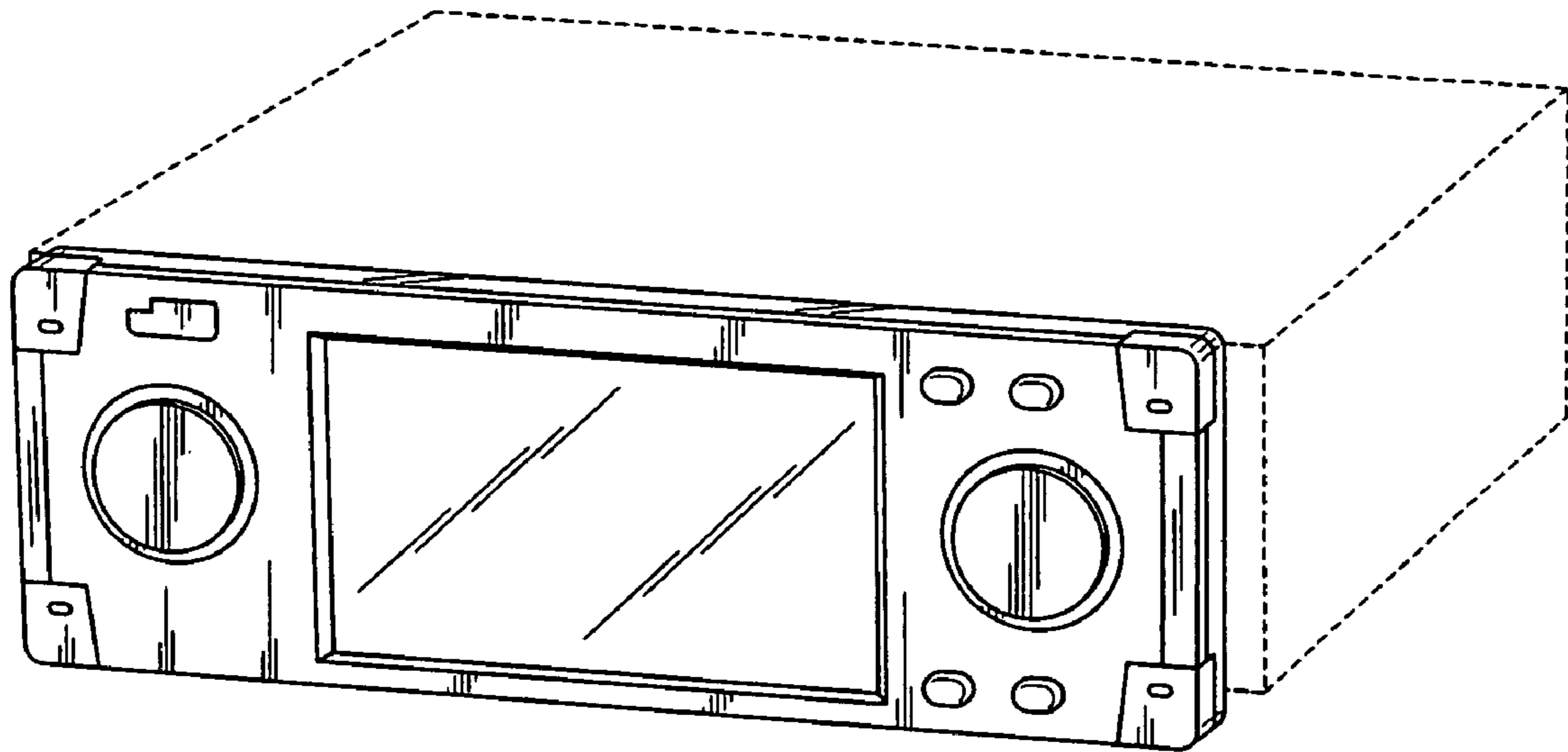


Fig.2

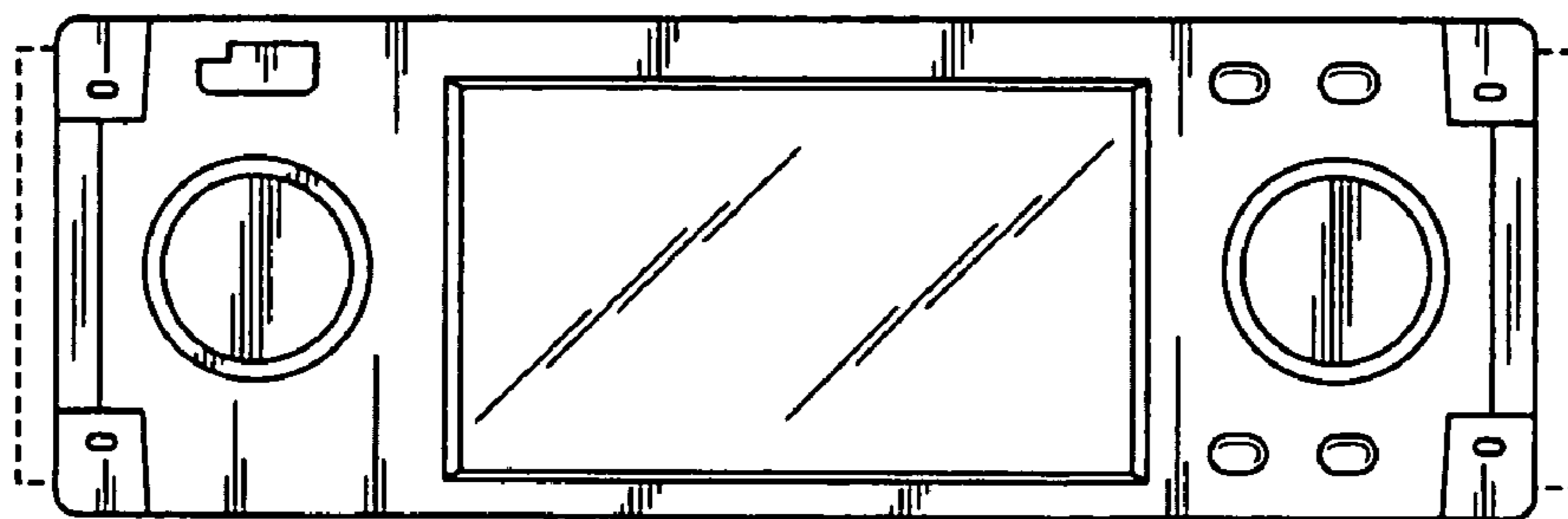


Fig.3

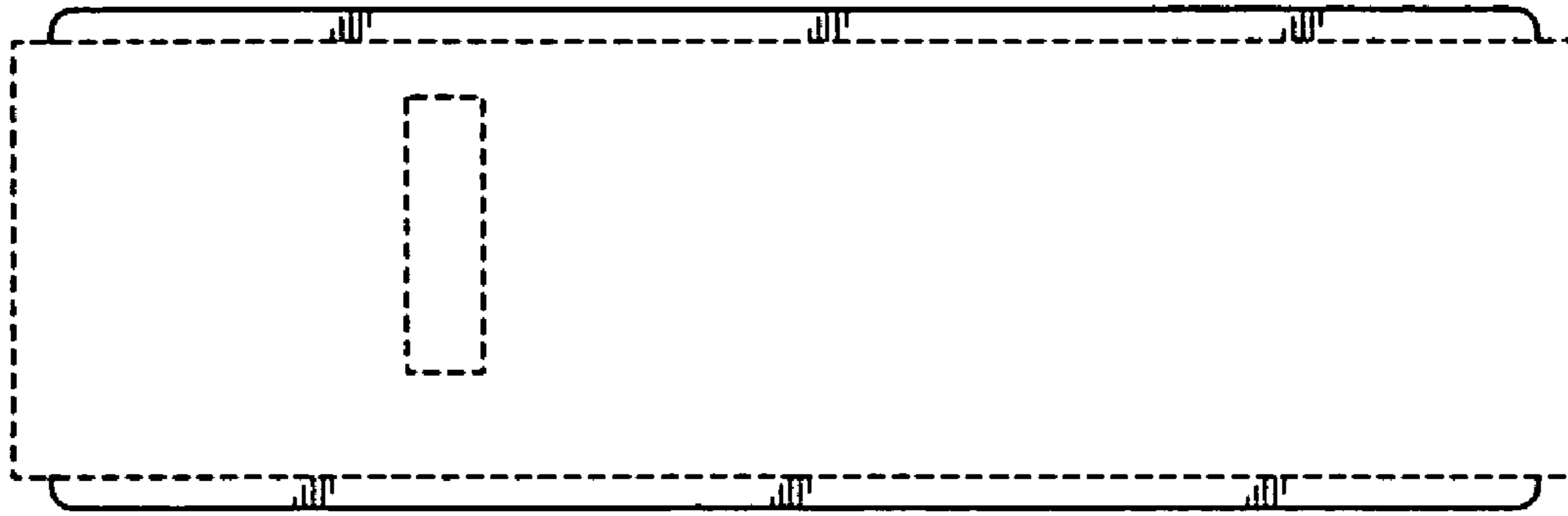


Fig.4



Fig.5



Fig.6

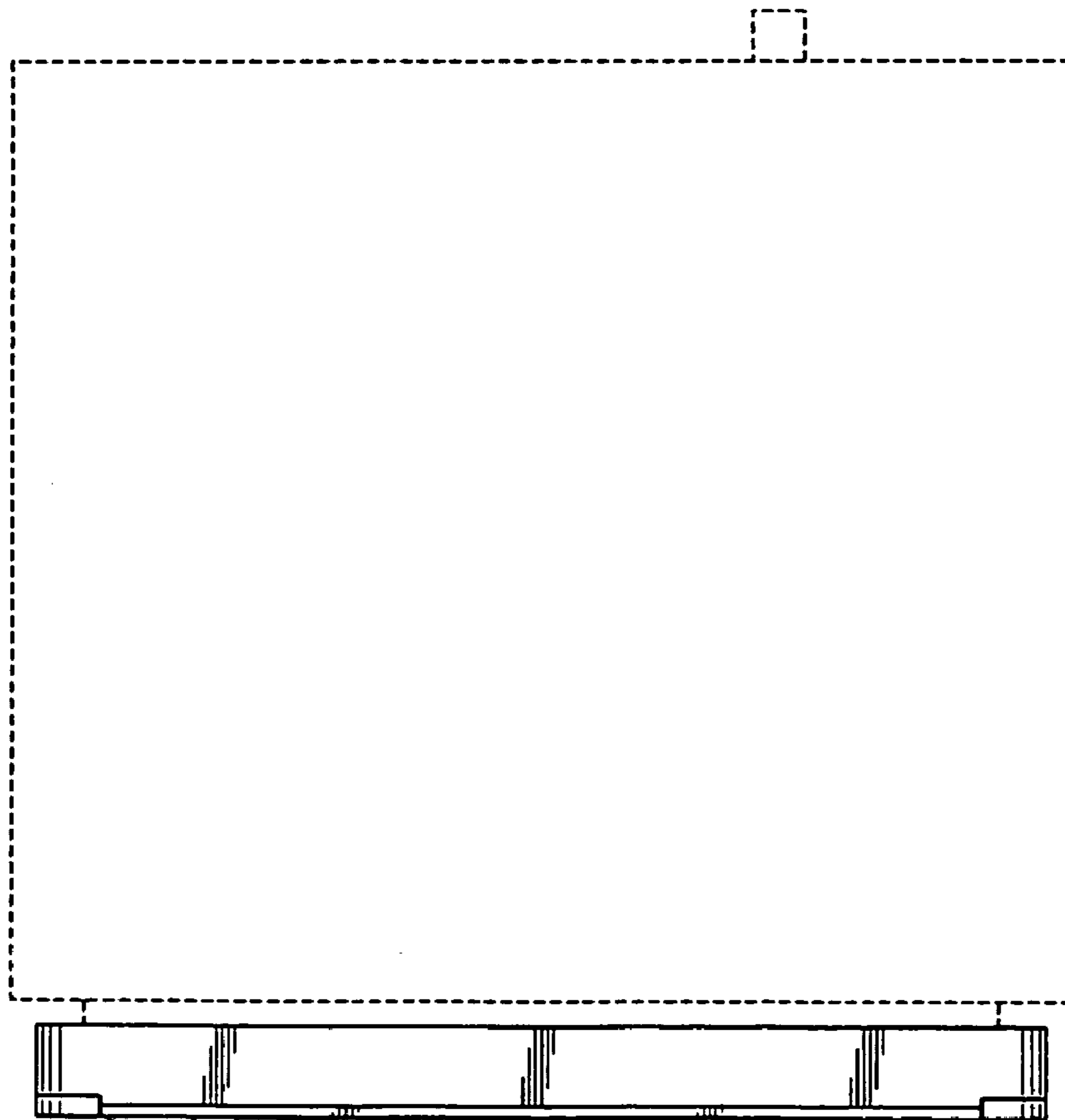


Fig.7

