



US00D563946S

(12) **United States Design Patent**
Uehara

(10) **Patent No.:** **US D563,946 S**
(45) **Date of Patent:** **** Mar. 11, 2008**

(54) **SPEAKER BOX**
(75) Inventor: **Mitsuhiro Uehara**, Tokyo (JP)
(73) Assignee: **Sony Corporation**, Tokyo (JP)
(**) Term: **14 Years**

D467,906 S 12/2002 Sadatsuki
D480,070 S 9/2003 Hakoda
D486,818 S 2/2004 Shindo
D488,801 S 4/2004 Shindo et al.
D489,359 S 5/2004 Hakoda
D519,495 S * 4/2006 Lum D14/221

(21) Appl. No.: **29/270,626**
(22) Filed: **Dec. 29, 2006**

* cited by examiner

Primary Examiner—Nanda Bondade
(74) *Attorney, Agent, or Firm*—Rader, Fishman & Grauer, PLLC

(30) **Foreign Application Priority Data**
Oct. 27, 2006 (JP) D2006-029390

(57) **CLAIM**

The ornamental design for a speaker box, as shown.

(51) **LOC (8) Cl.** **14-01**
(52) **U.S. Cl.** **D14/216**
(58) **Field of Classification Search** D14/204,
D14/209–216, 221–222; 181/143–144, 147–148,
181/150, 157, 198–199, 151, 153; 381/300–302,
381/306, 333, 345, 361–364, 386–388, 332,
381/336
See application file for complete search history.

DESCRIPTION

FIG. 1 is a perspective view of a speaker box showing my new design;
FIG. 2 is a front elevational view thereof;
FIG. 3 is a rear elevational view thereof;
FIG. 4 is a left side elevational view thereof;
FIG. 5 is a right side elevational view thereof;
FIG. 6 is a top plan view thereof; and,
FIG. 7 is a bottom plan view thereof.

(56) **References Cited**
U.S. PATENT DOCUMENTS
D276,045 S * 10/1984 Kawachi D14/215
4,965,837 A * 10/1990 Murayama et al. 381/186
6,095,278 A * 8/2000 Lin 181/148

1 Claim, 7 Drawing Sheets

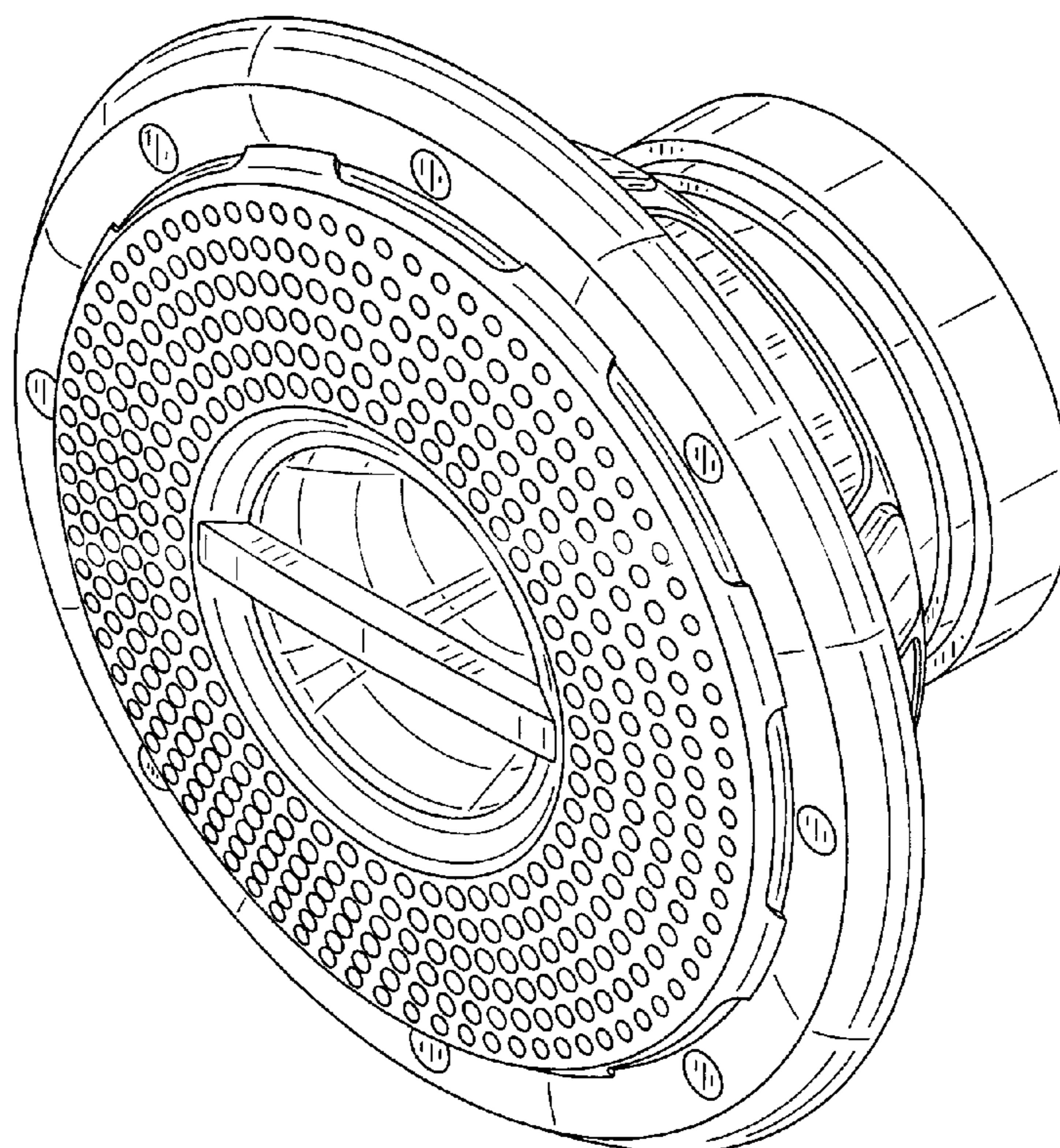


Fig. 1

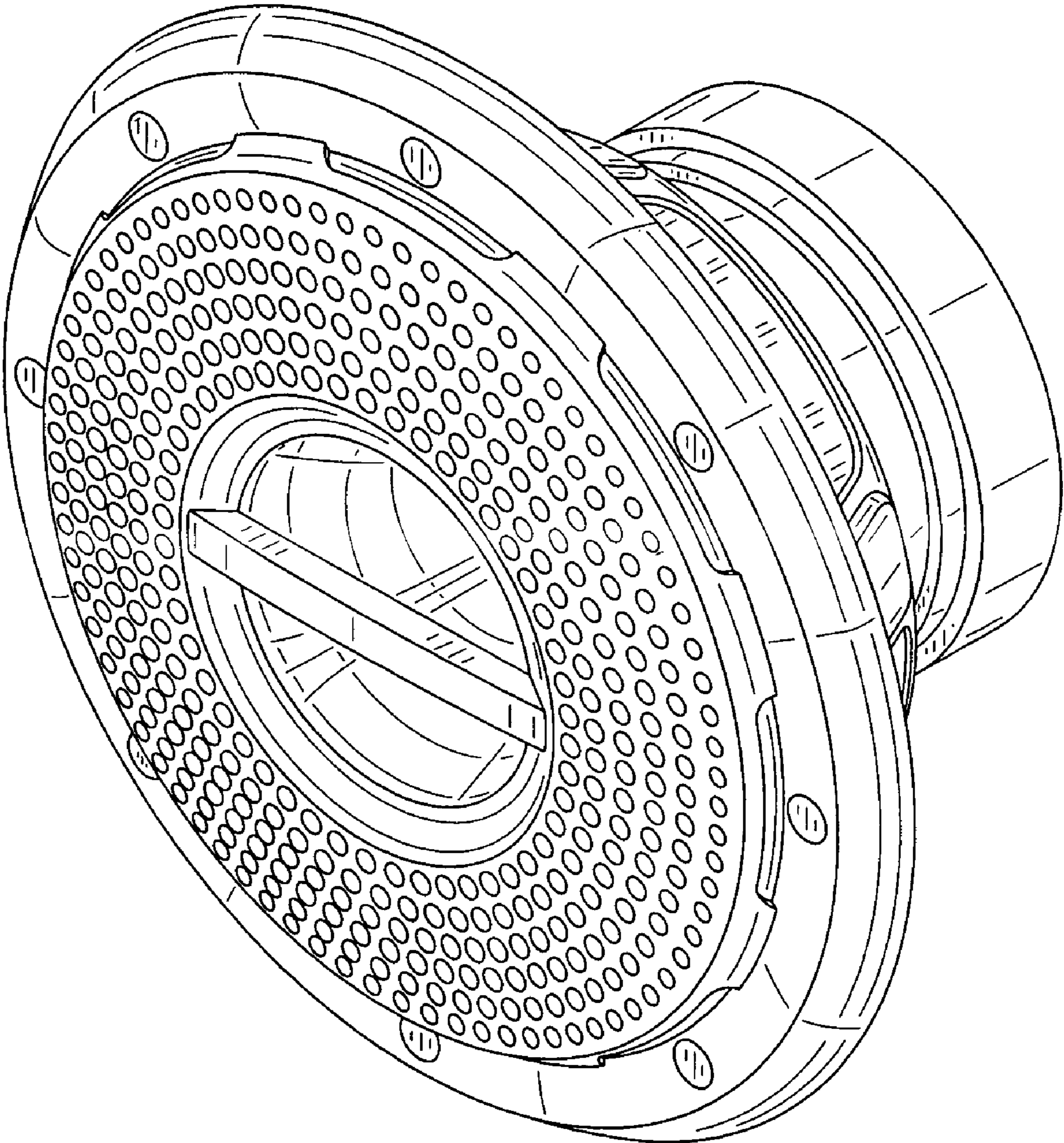


Fig.2

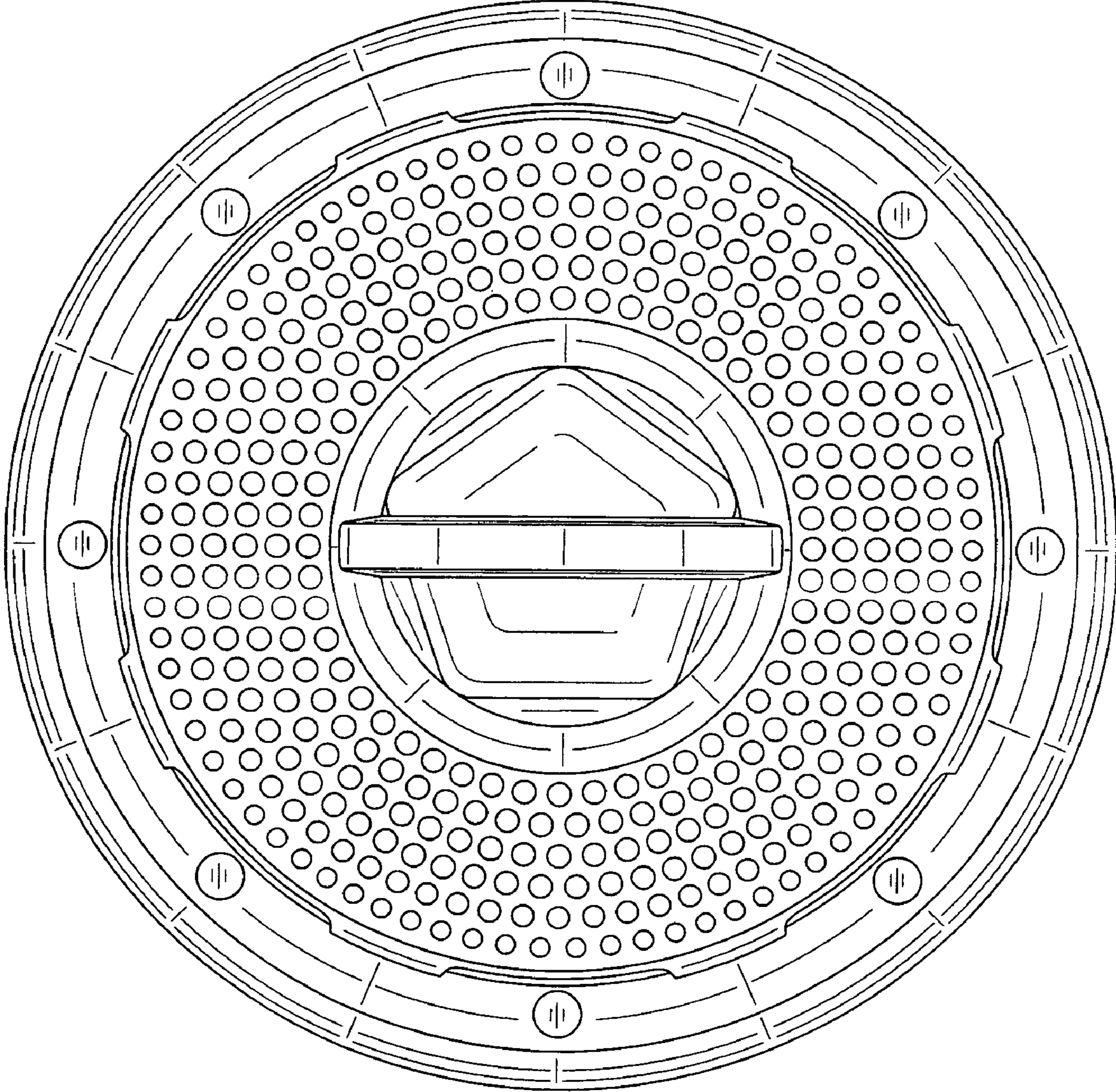


Fig.3

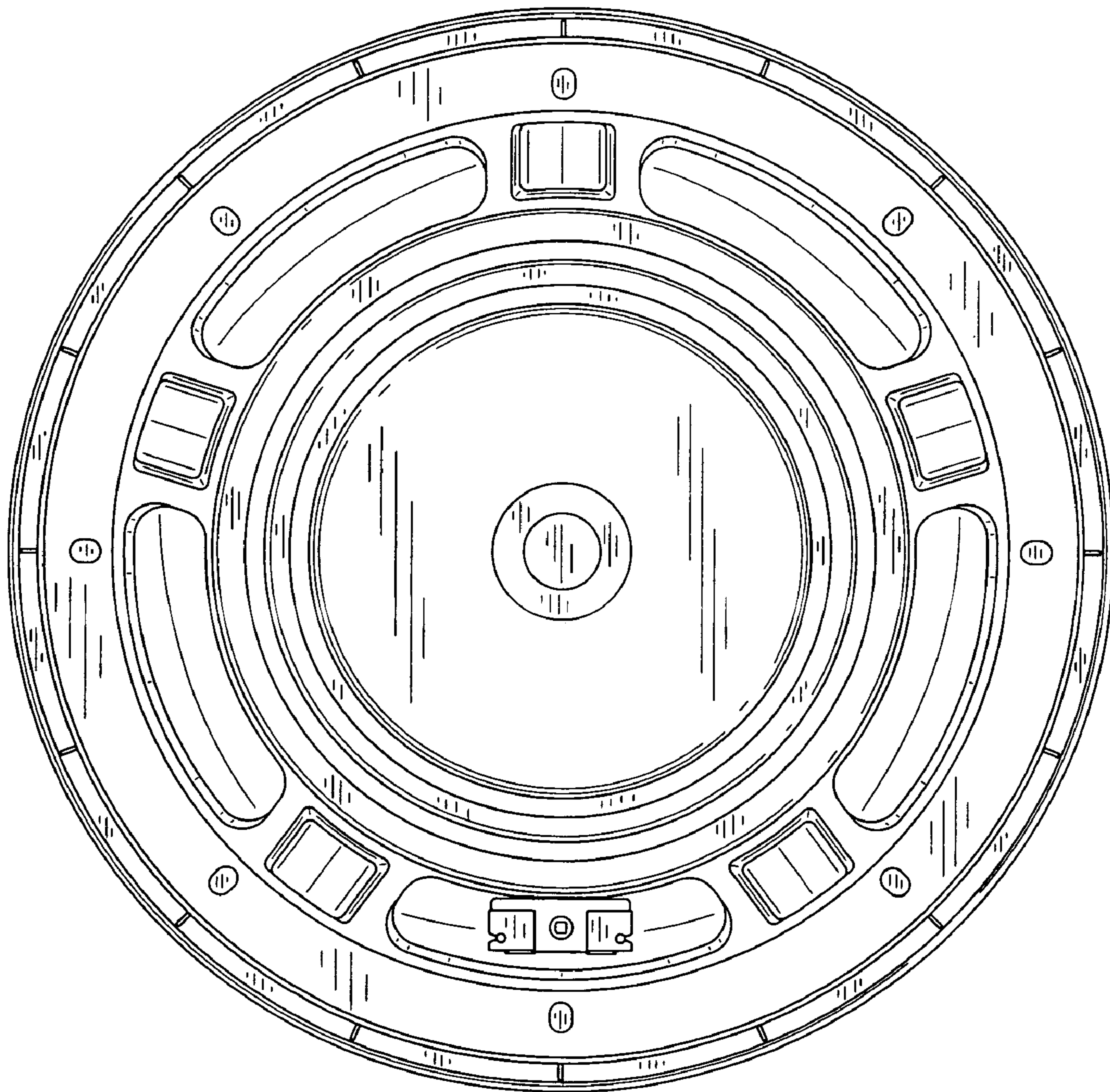


Fig.4

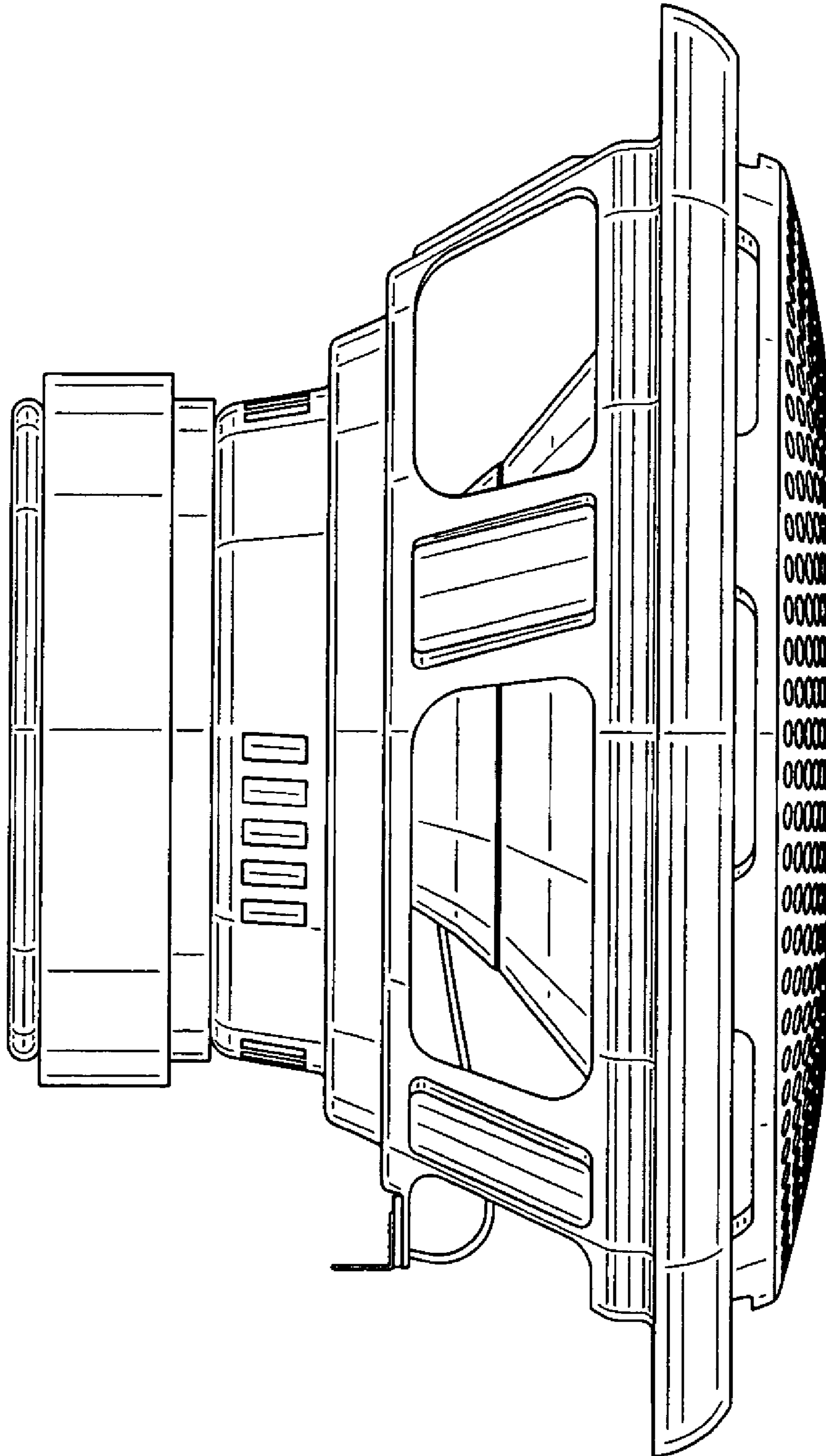


Fig.5

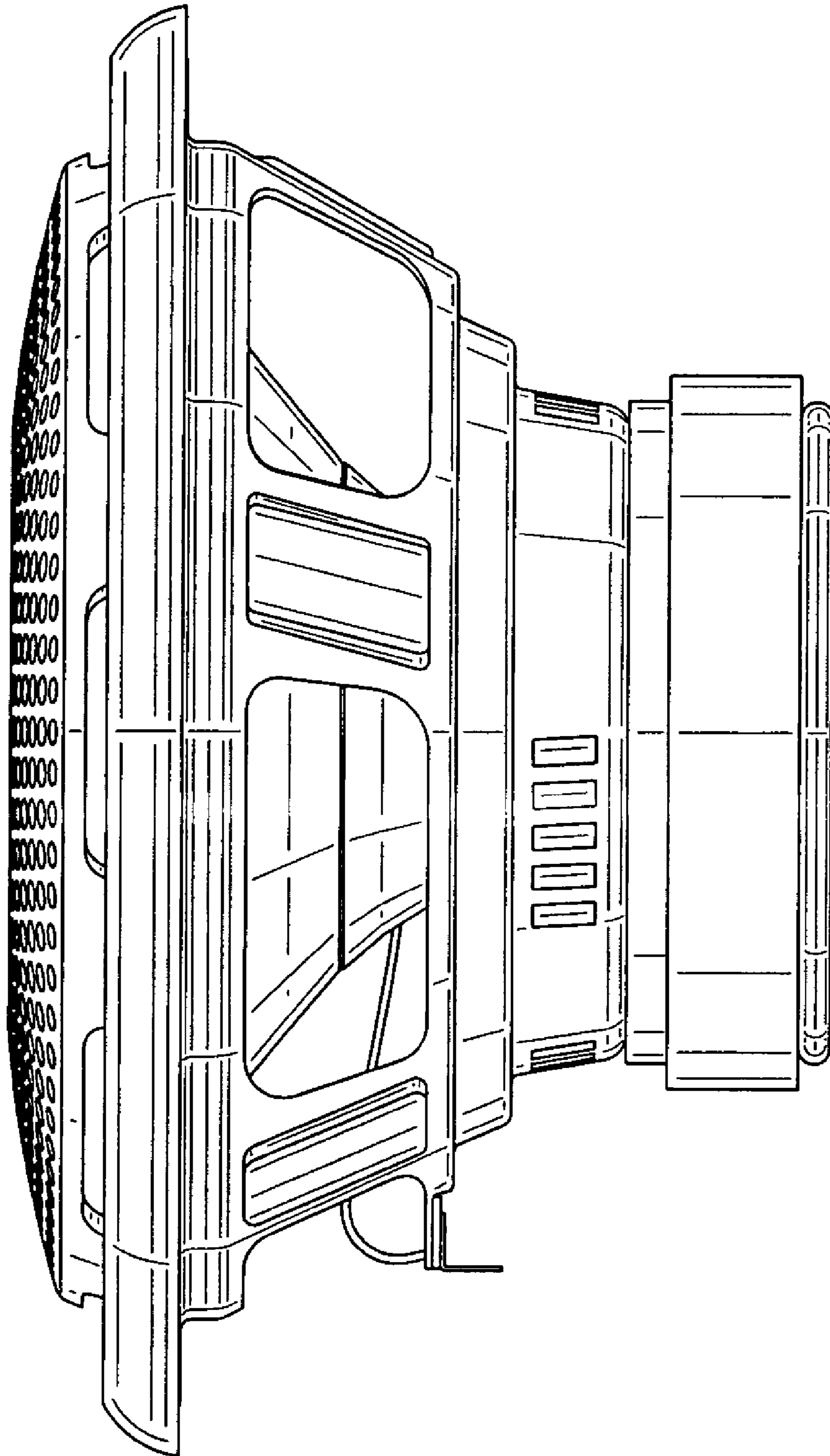


Fig.6

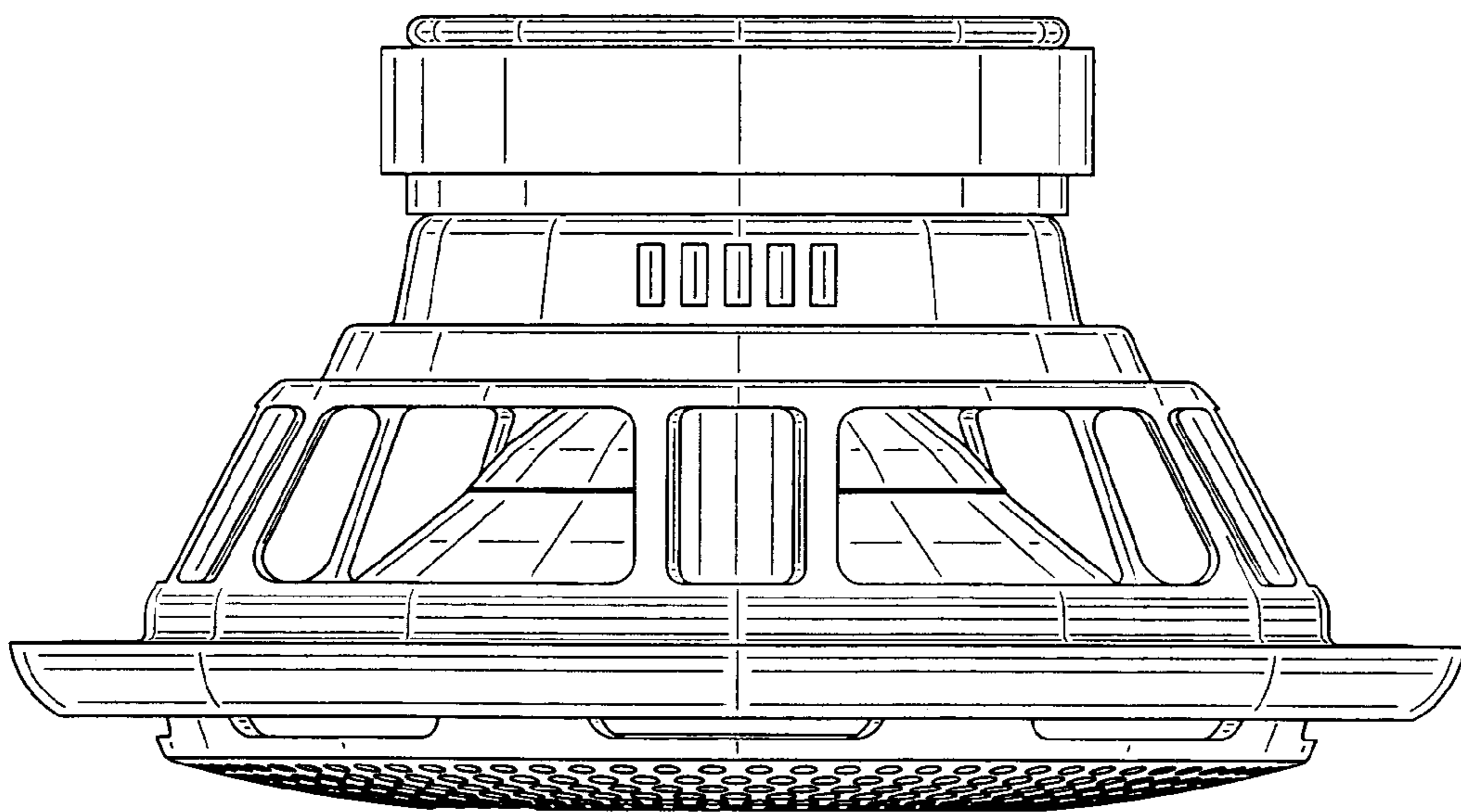


Fig.7

