



US00D563922S

(12) **United States Design Patent**
Shiono

(10) **Patent No.:** **US D563,922 S**
(45) **Date of Patent:** **** Mar. 11, 2008**

(54) **DISC PLAYER**

(75) Inventor: **Daisuke Shiono**, Tokyo (JP)

(73) Assignee: **Sony Corporation**, Tokyo (JP)

(**) Term: **14 Years**

(21) Appl. No.: **29/271,901**

(22) Filed: **Jan. 30, 2007**

(30) **Foreign Application Priority Data**

Aug. 31, 2006 (CN) 2006 3 0136736

(51) **LOC (8) Cl.** **14-01**

(52) **U.S. Cl.** **D14/136; D14/157**

(58) **Field of Classification Search** D14/135-136,
D14/156-157, 167-168, 198, 188, 217, 257,
D14/258, 445; 360/99.02, 99.07; 369/75.11,
369/75.21, 77.21, 77.11; 720/612, 619, 647,
720/655; 455/344, 347-351

See application file for complete search history.

(56) **References Cited**

U.S. PATENT DOCUMENTS

D400,529 S * 11/1998 Kakizaki D14/157
D411,996 S 7/1999 Yamazaki

D448,014 S * 9/2001 Hori et al. D14/157
D475,691 S * 6/2003 Nishii et al. D14/157
D495,678 S 9/2004 Uehara
D496,648 S 9/2004 Uehara
D528,088 S 9/2006 Suzuki

* cited by examiner

Primary Examiner—Nanda Bondade
(74) *Attorney, Agent, or Firm*—Rader, Fishman & Grauer,
PLLC

(57) **CLAIM**

The ornamental design for a disc player, as shown.

DESCRIPTION

FIG. 1 is a perspective view of a disc player showing my new design;

FIG. 2 is a front elevational view thereof;

FIG. 3 is a rear elevational view thereof;

FIG. 4 is a left side elevational view thereof;

FIG. 5 is a right side elevational view thereof;

FIG. 6 is a top plan view thereof; and,

FIG. 7 is a bottom plan view thereof.

1 Claim, 7 Drawing Sheets

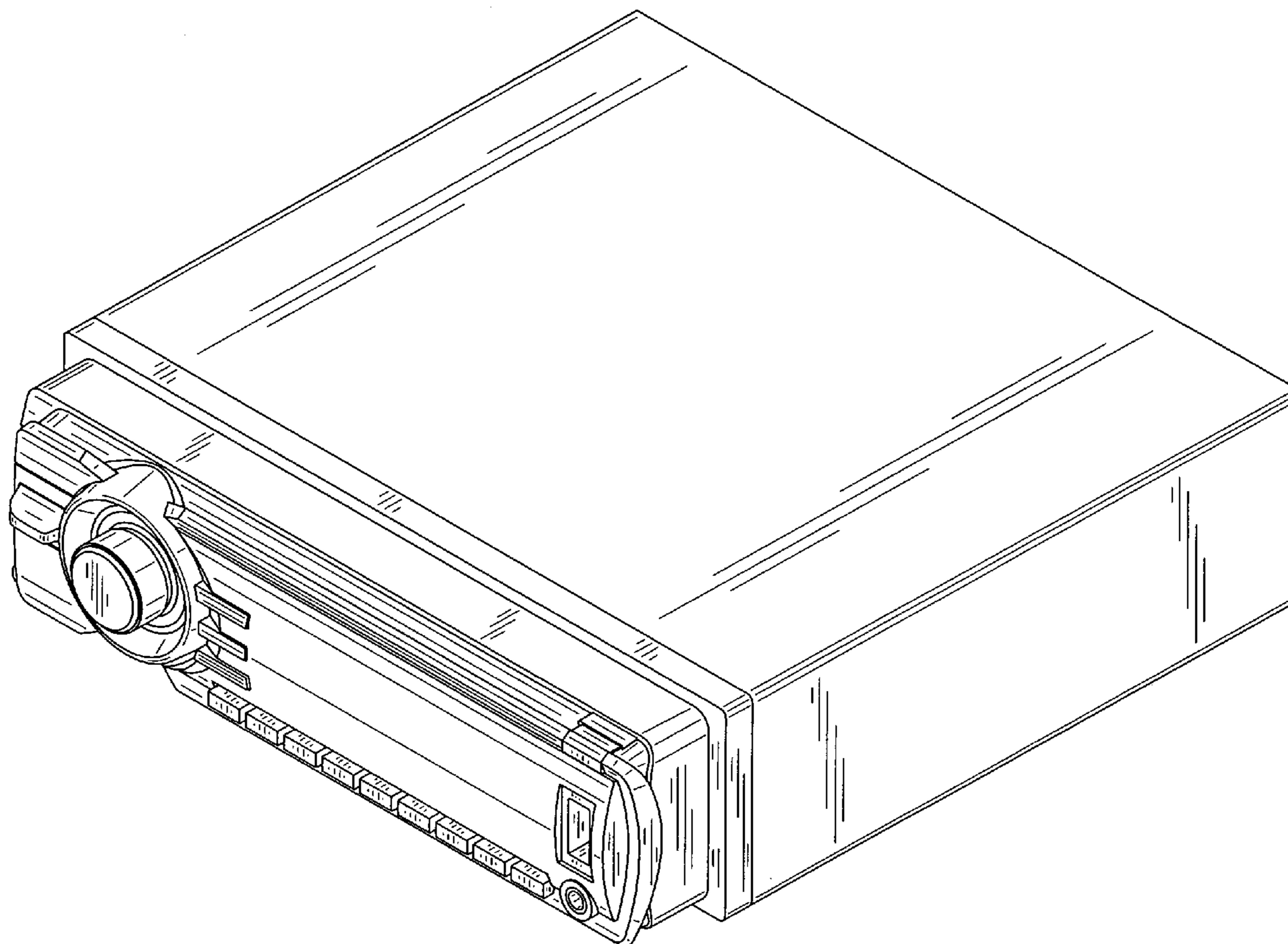


Fig. 1

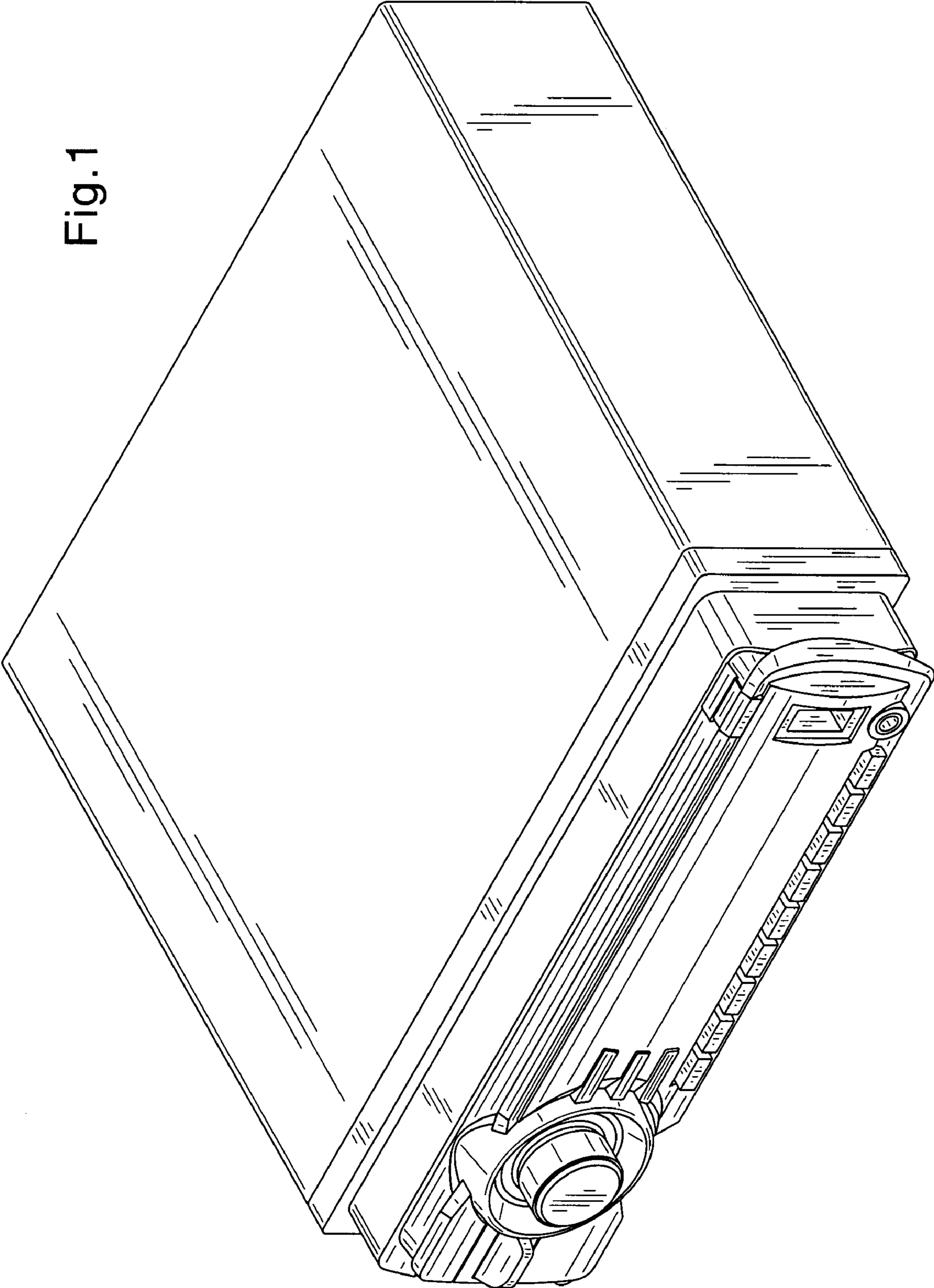


Fig.2

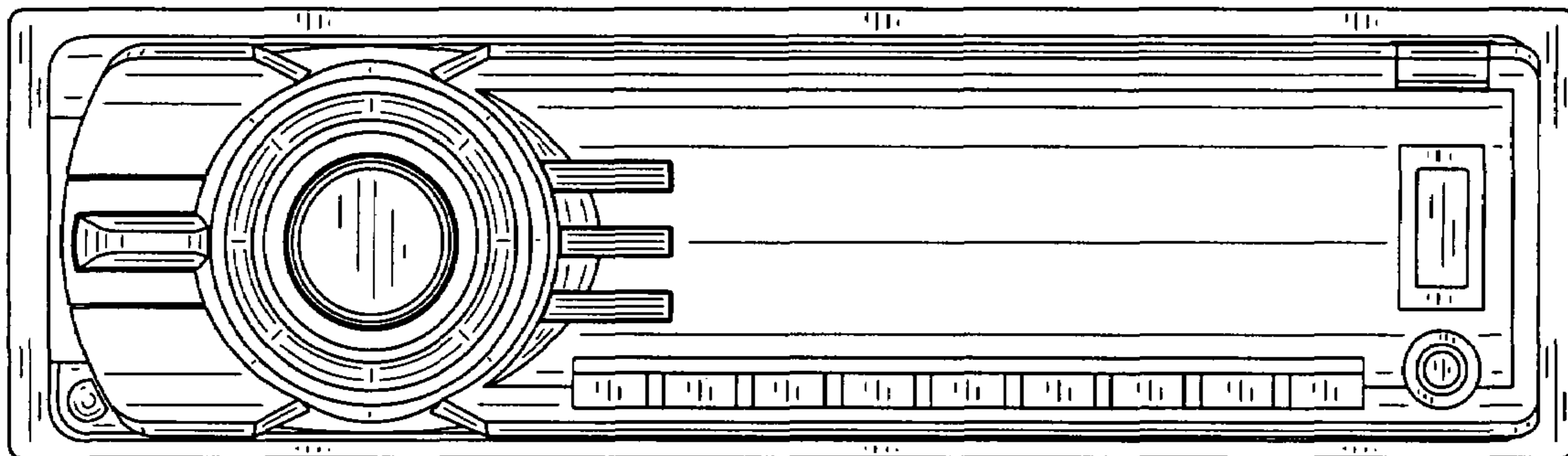


Fig.3

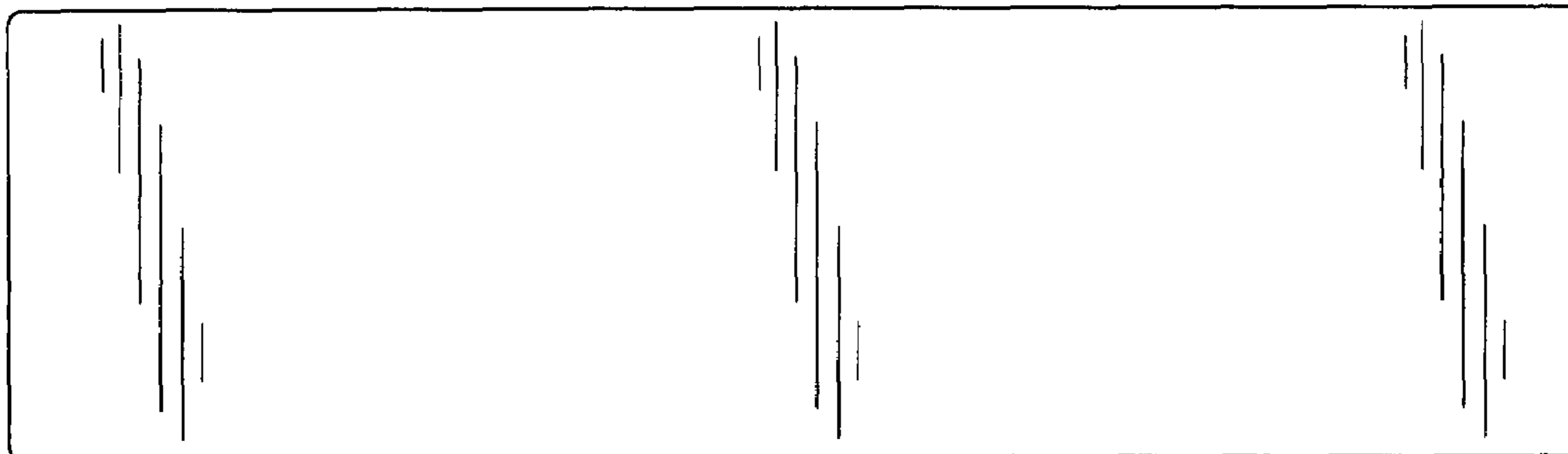


Fig.4

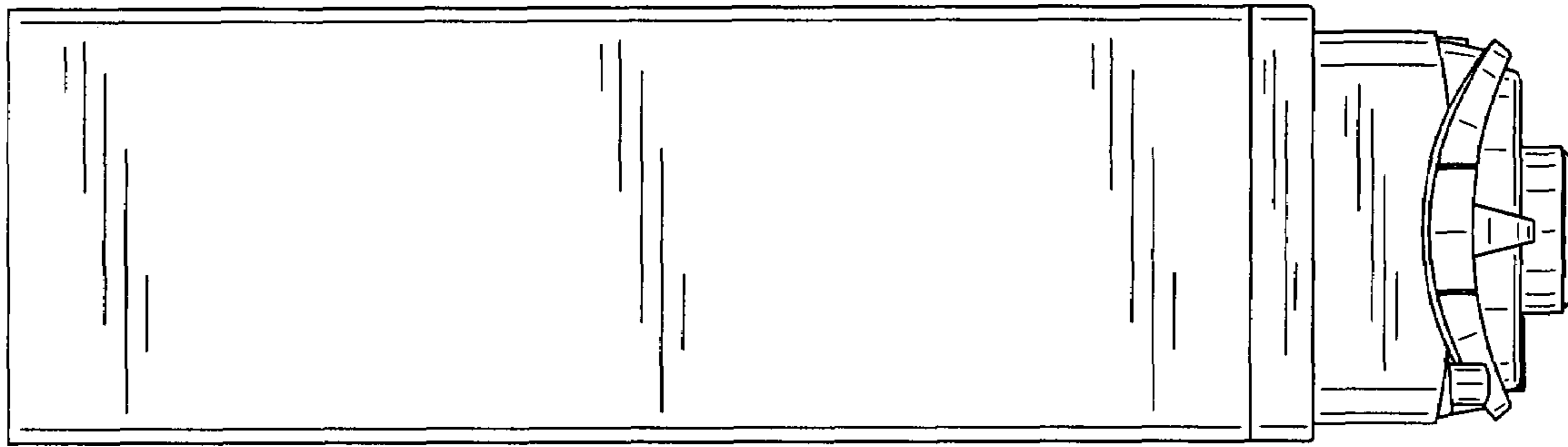


Fig.5

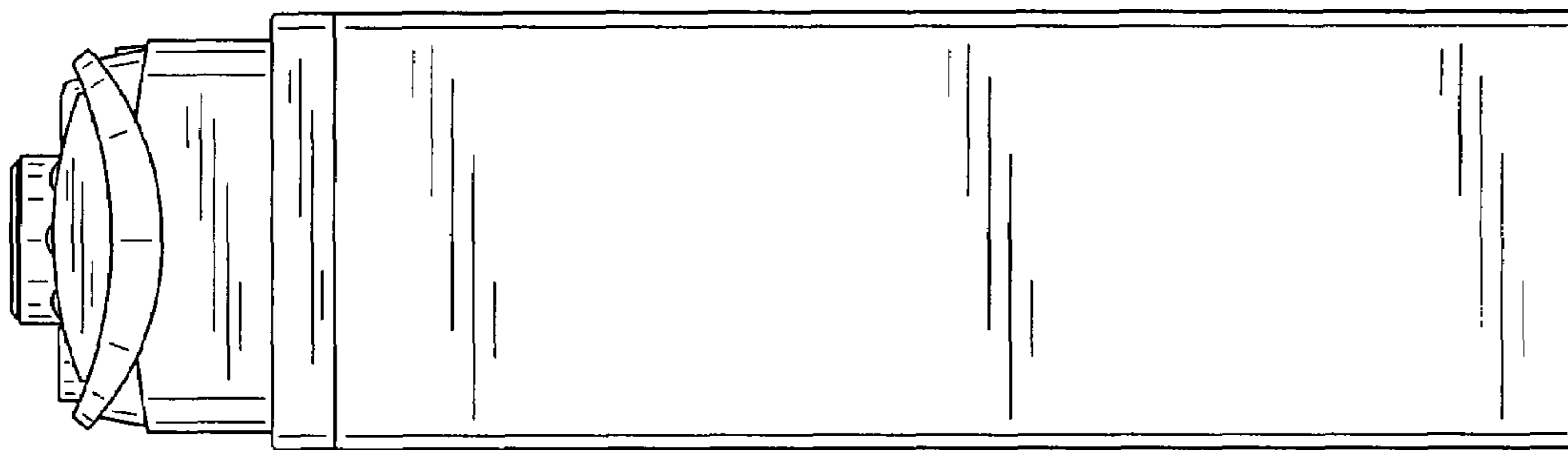


Fig.6

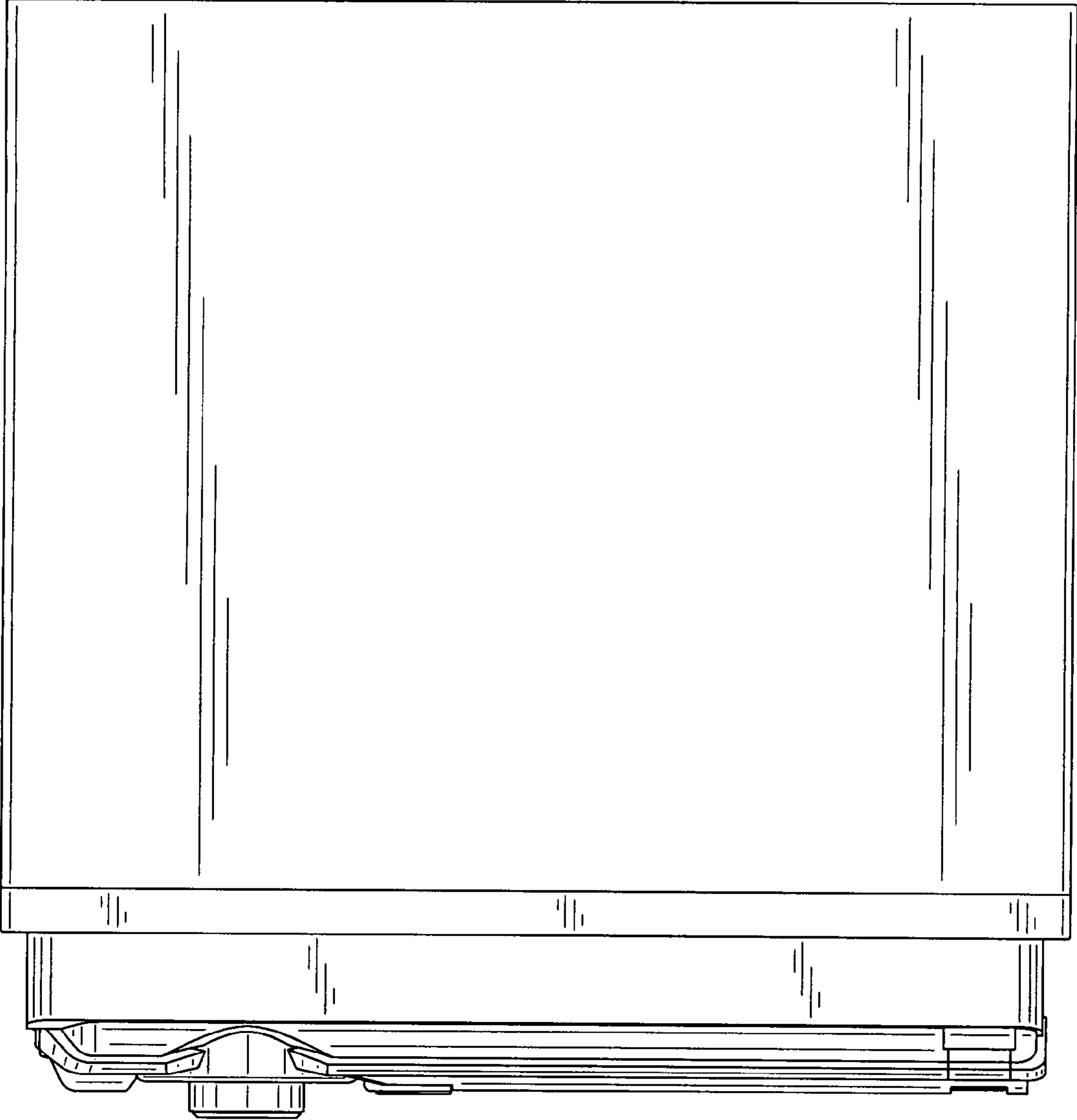


Fig.7

