



US00D563921S

(12) **United States Design Patent**
Suzuki

(10) **Patent No.:** **US D563,921 S**
(45) **Date of Patent:** **** Mar. 11, 2008**

(54) **DIGITAL VIDEO DISK PLAYER**

(75) Inventor: **Ken Suzuki, Niiza (JP)**

(73) Assignee: **Kabushiki Kaisha Toshiba (JP)**

(**) Term: **14 Years**

(21) Appl. No.: **29/267,960**

(22) Filed: **Oct. 26, 2006**

(30) **Foreign Application Priority Data**

Aug. 28, 2006 (JP) 2006-022742

(51) **LOC (8) Cl.** **14-01**

(52) **U.S. Cl.** **D14/136**

(58) **Field of Classification Search** D14/135-136,
D14/156-157, 167-168, 198, 188, 217, 257,
D14/258, 445; 360/99.02, 99.07; 369/75.11,
369/75.21, 77.21, 77.11; 720/612, 619, 647,
720/655; 455/344, 347-351

See application file for complete search history.

(56) **References Cited**

U.S. PATENT DOCUMENTS

- D315,905 S * 4/1991 Ito et al. D14/156
- D344,507 S * 2/1994 Ryu D14/135
- D387,756 S 12/1997 Goshima
- 5,859,828 A * 1/1999 Ishibashi 720/655
- D429,706 S 8/2000 Miyazaki
- D466,876 S 12/2002 Usami et al.
- D485,245 S 1/2004 Shiraki et al.
- D495,677 S 9/2004 Kawano et al.

- D519,961 S 5/2006 Naruki
- D521,475 S * 5/2006 Dai et al. D14/136
- D528,089 S * 9/2006 Yoshikawa et al. D14/136
- D531,971 S 11/2006 Shiraki et al.

FOREIGN PATENT DOCUMENTS

- JP D1179315 7/2003
- JP D1212164 7/2004
- JP D1212168 7/2004

* cited by examiner

Primary Examiner—Nanda Bondade

(74) *Attorney, Agent, or Firm*—Banner & Witcoff, Ltd.

(57) **CLAIM**

The ornamental design for a digital video disk player, as shown and described.

DESCRIPTION

FIG. 1 is a front, top and right side perspective view of a digital video disk player, showing my new design;

FIG. 2 is a front, top and right side perspective view thereof with a tray in a drawn out state;

FIG. 3 is a front elevational view thereof;

FIG. 4 is a rear elevational view thereof;

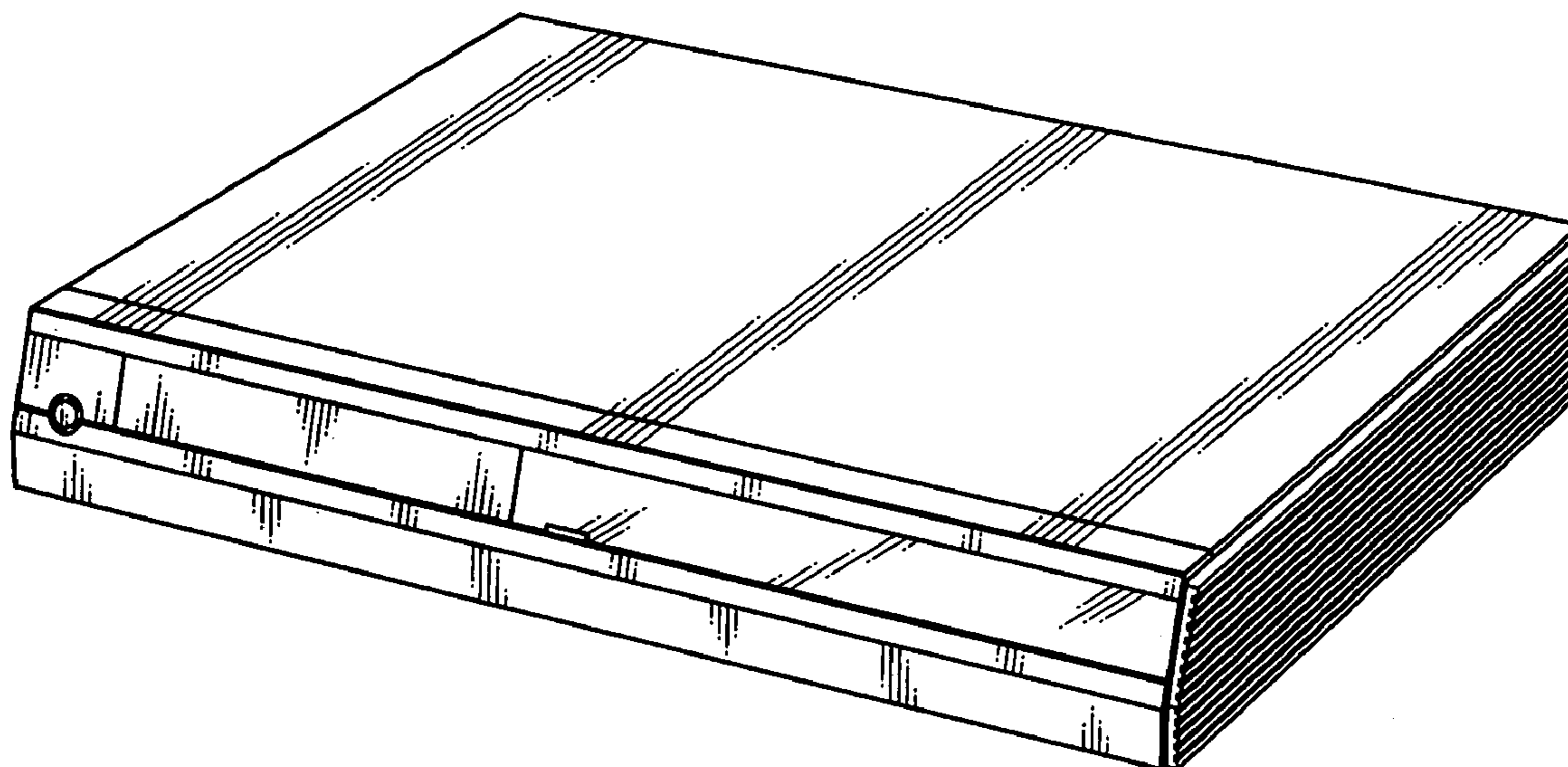
FIG. 5 is a top plan view thereof;

FIG. 6 is a bottom plan view thereof;

FIG. 7 is a right side elevational view thereof; and,

FIG. 8 is a left side elevational view thereof.

1 Claim, 3 Drawing Sheets



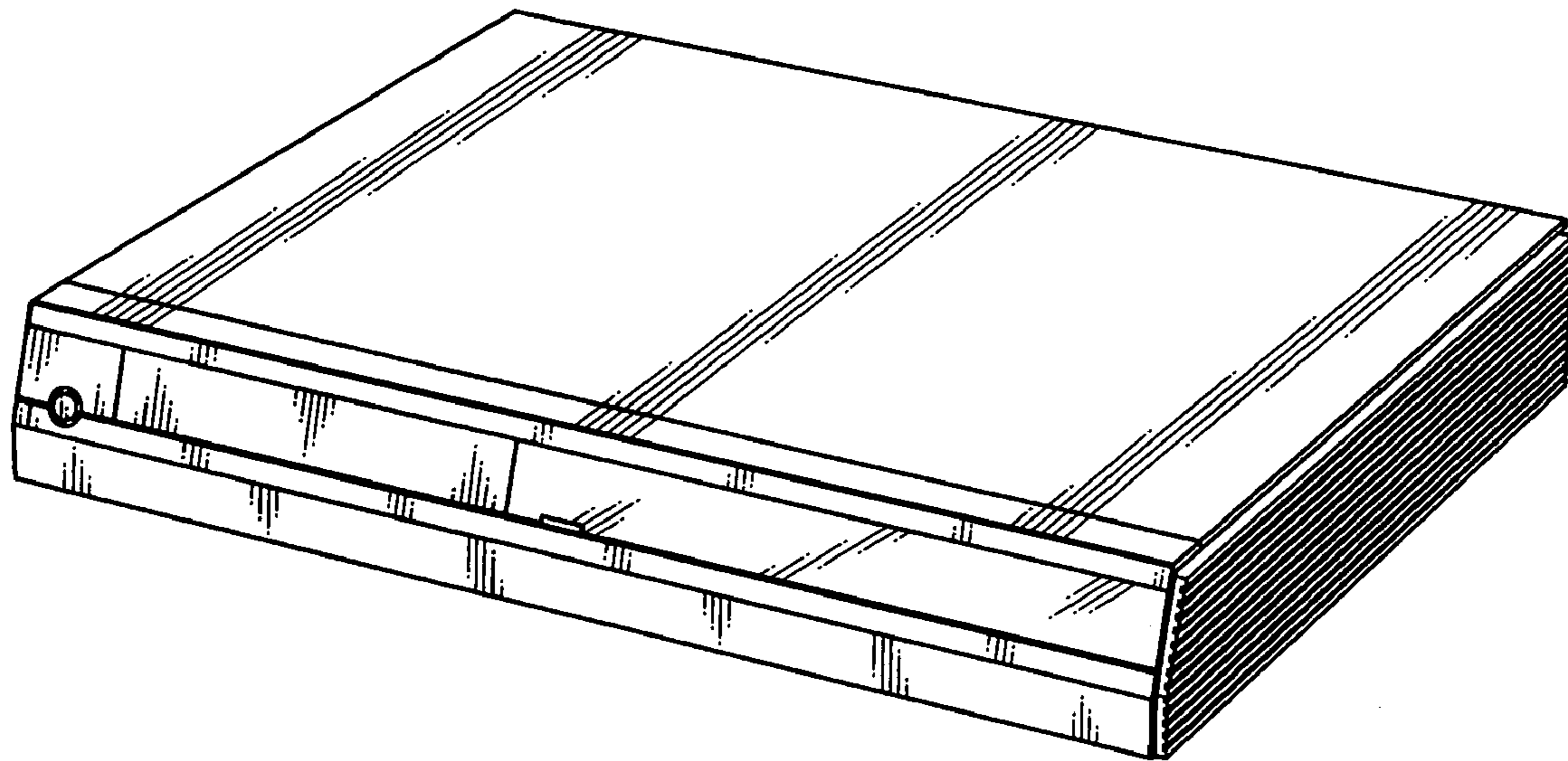


FIG. 1

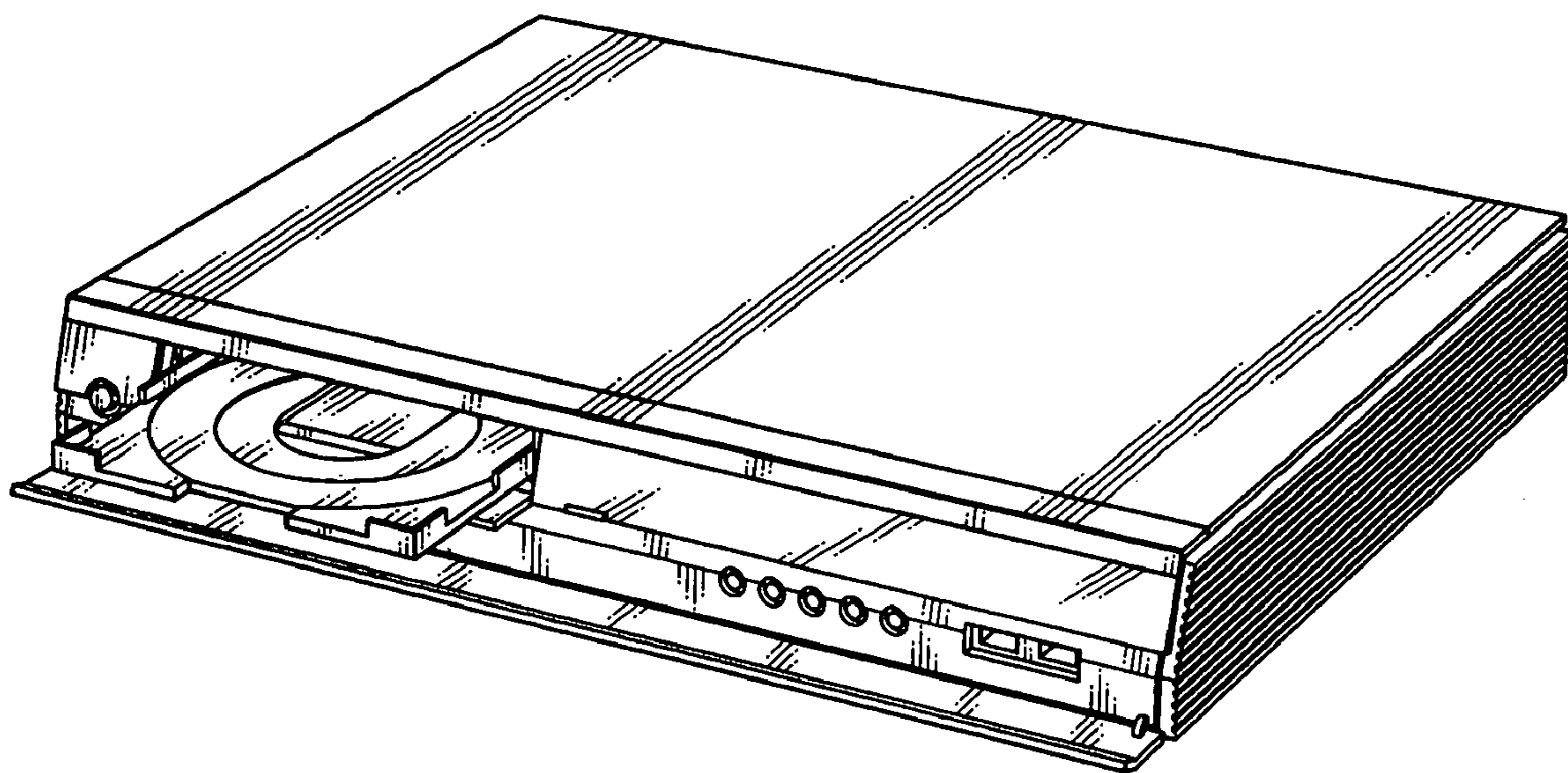


FIG. 2



FIG.3

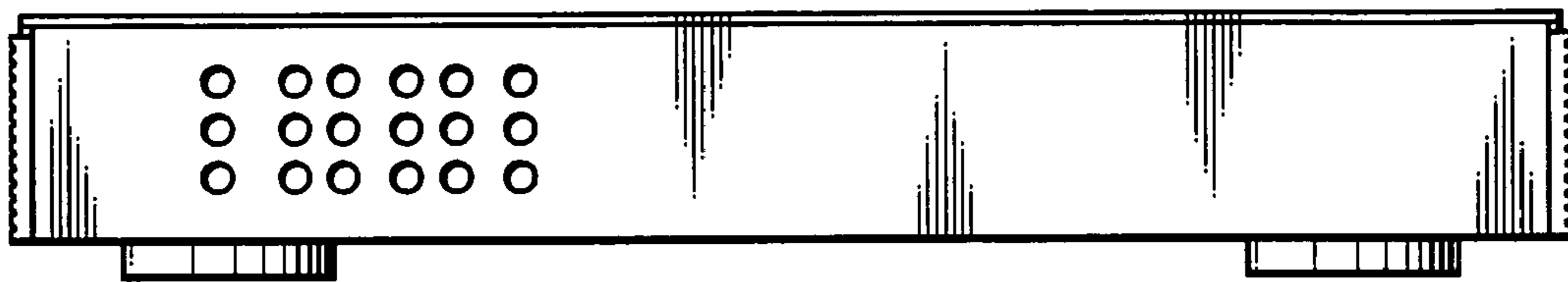


FIG.4

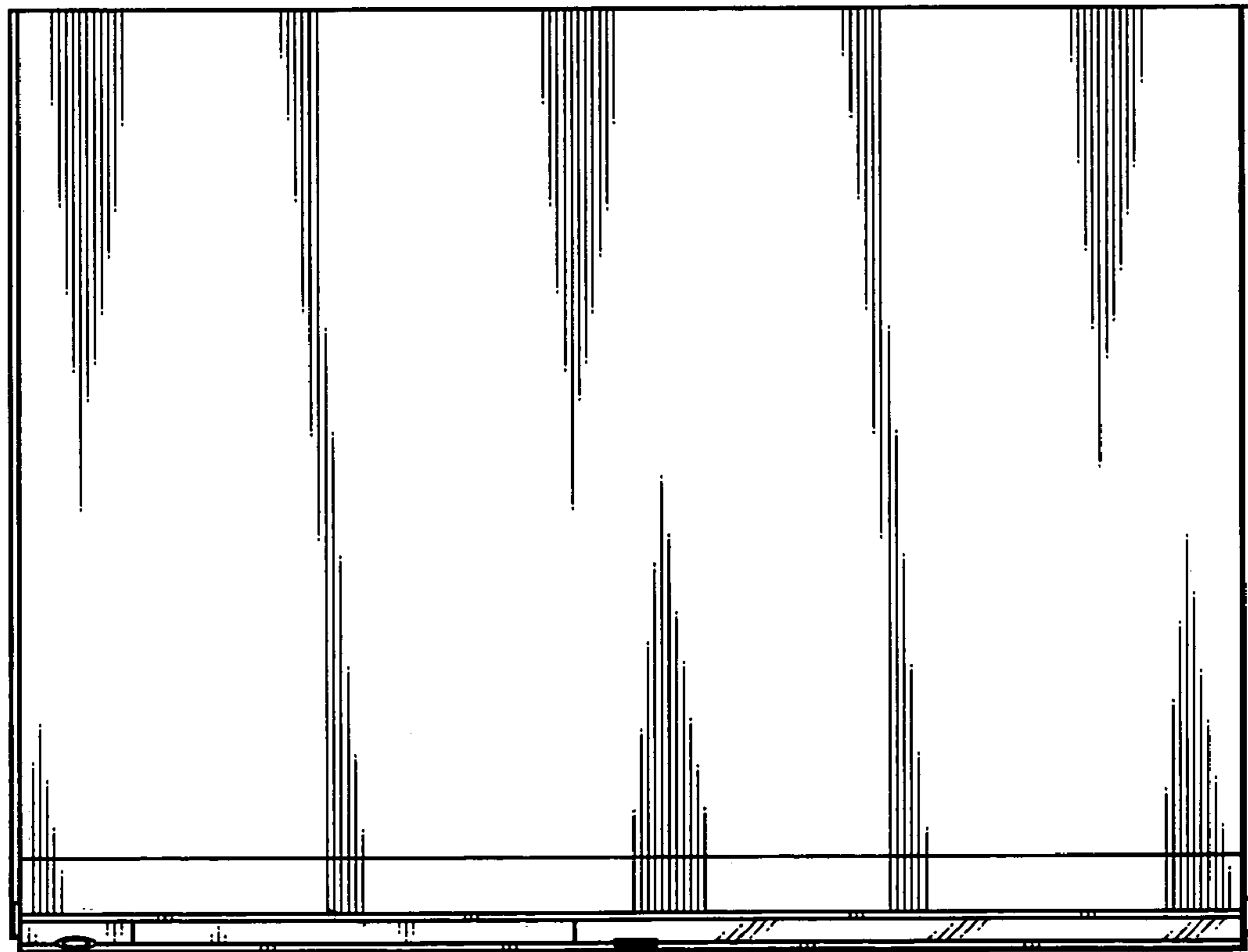


FIG.5

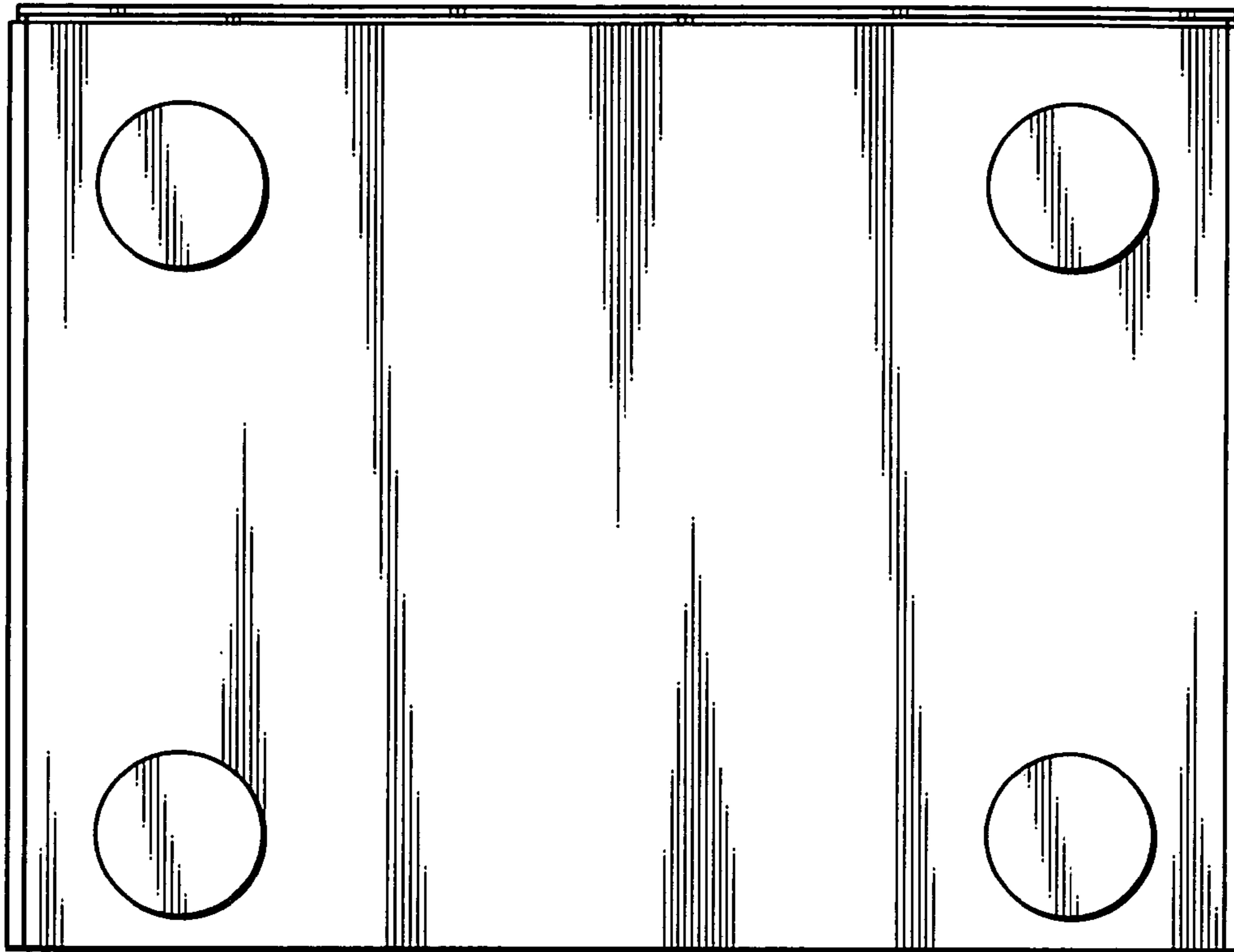


FIG. 6



FIG. 7



FIG. 8