

US00D563920S

(12) **United States Design Patent**  
**Vitito**

(10) **Patent No.:** **US D563,920 S**  
(45) **Date of Patent:** **\*\* Mar. 11, 2008**

(54) **PORTABLE ENTERTAINMENT SYSTEM**

(76) Inventor: **Christopher J. Vitito**, 514  
Longmeadow St., Celebration, FL (US)  
34747

(\*\*) Term: **14 Years**

(21) Appl. No.: **29/274,409**

(22) Filed: **Apr. 23, 2007**

(51) **LOC (8) Cl.** ..... **14-03**

(52) **U.S. Cl.** ..... **D14/132**

(58) **Field of Classification Search** ..... D14/125-134,  
D14/239, 371, 136, 374-377; 312/7.2; 348/836,  
348/838, 180, 184, 325, 739; 341/12; 248/917-924,  
248/465; 345/104, 133, 156, 168, 87, 173;  
720/605, 669, 600, 655; 369/99, 197; 455/344-347  
See application file for complete search history.

(56) **References Cited**

**U.S. PATENT DOCUMENTS**

4,646,158	A *	2/1987	Ohno et al.	.....	348/794
D297,536	S *	9/1988	Ohtsu	.....	D14/132
D377,648	S *	1/1997	Young	.....	D14/136
D412,900	S *	8/1999	Utsugi	.....	D14/156
6,049,450	A	4/2000	Cho et al.		
6,443,574	B1	9/2002	Howell et al.		
D469,747	S	2/2003	To et al.		
D470,828	S	2/2003	Solland		
D496,013	S	9/2004	Tanaka		
D502,690	S	3/2005	Uehara et al.		
D511,755	S *	11/2005	Peng	.....	D14/132
D511,756	S *	11/2005	Matsuoka	.....	D14/132
D516,529	S *	3/2006	Ko et al.	.....	D14/132

D528,524	S *	9/2006	Chen	.....	D14/132
2004/0017652	A1	1/2004	Billington et al.		
2004/0085485	A1	5/2004	Schedivy		
2004/0212957	A1	10/2004	Schedivy		
2004/0228622	A1	11/2004	Schedivy		
2005/0025466	A1	2/2005	Yen et al.		
2005/0249069	A1 *	11/2005	Aoki et al.	.....	369/47.1
2006/0070103	A1	3/2006	Vitito		

\* cited by examiner

*Primary Examiner*—Raphael Barkai

(74) *Attorney, Agent, or Firm*—Welsh & Flaxman LLC

(57) **CLAIM**

The ornamental design for a portable entertainment system, as shown and described.

**DESCRIPTION**

FIG. 1 is a front perspective view of a portable entertainment system showing my new design.

FIG. 2 is a front plan view of thereof.

FIG. 3 is a rear plan view of thereof.

FIG. 4 is a right side plan view of thereof.

FIG. 5 is a left side plan view of thereof.

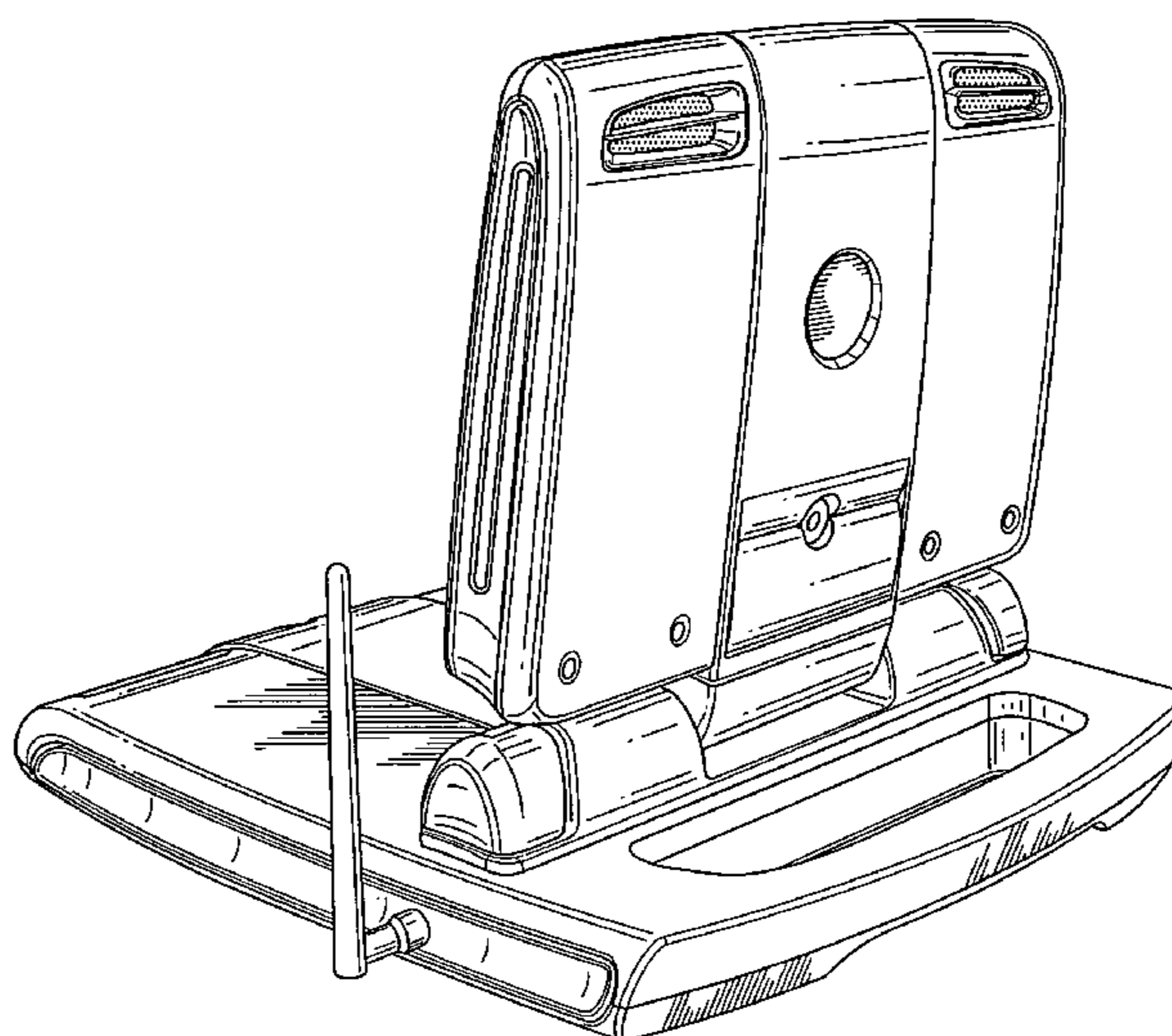
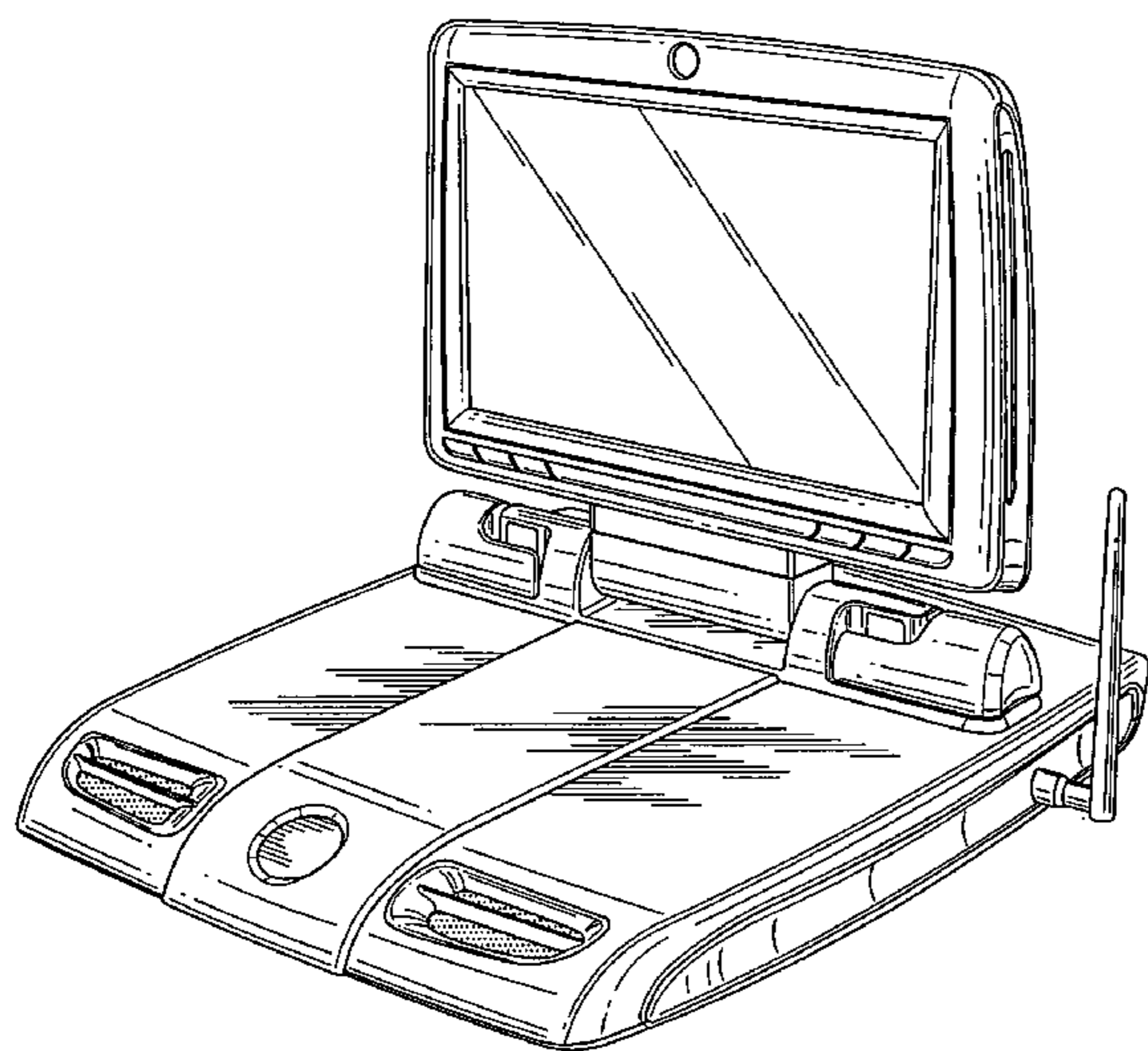
FIG. 6 is a top plan view of thereof;

FIG. 7 is a bottom plan view of thereof; and,

FIG. 8 is a rear perspective view of thereof.

The broken lines in the drawings are for the purpose of showing environmental structure and do not form part of the design to be patented.

**1 Claim, 5 Drawing Sheets**



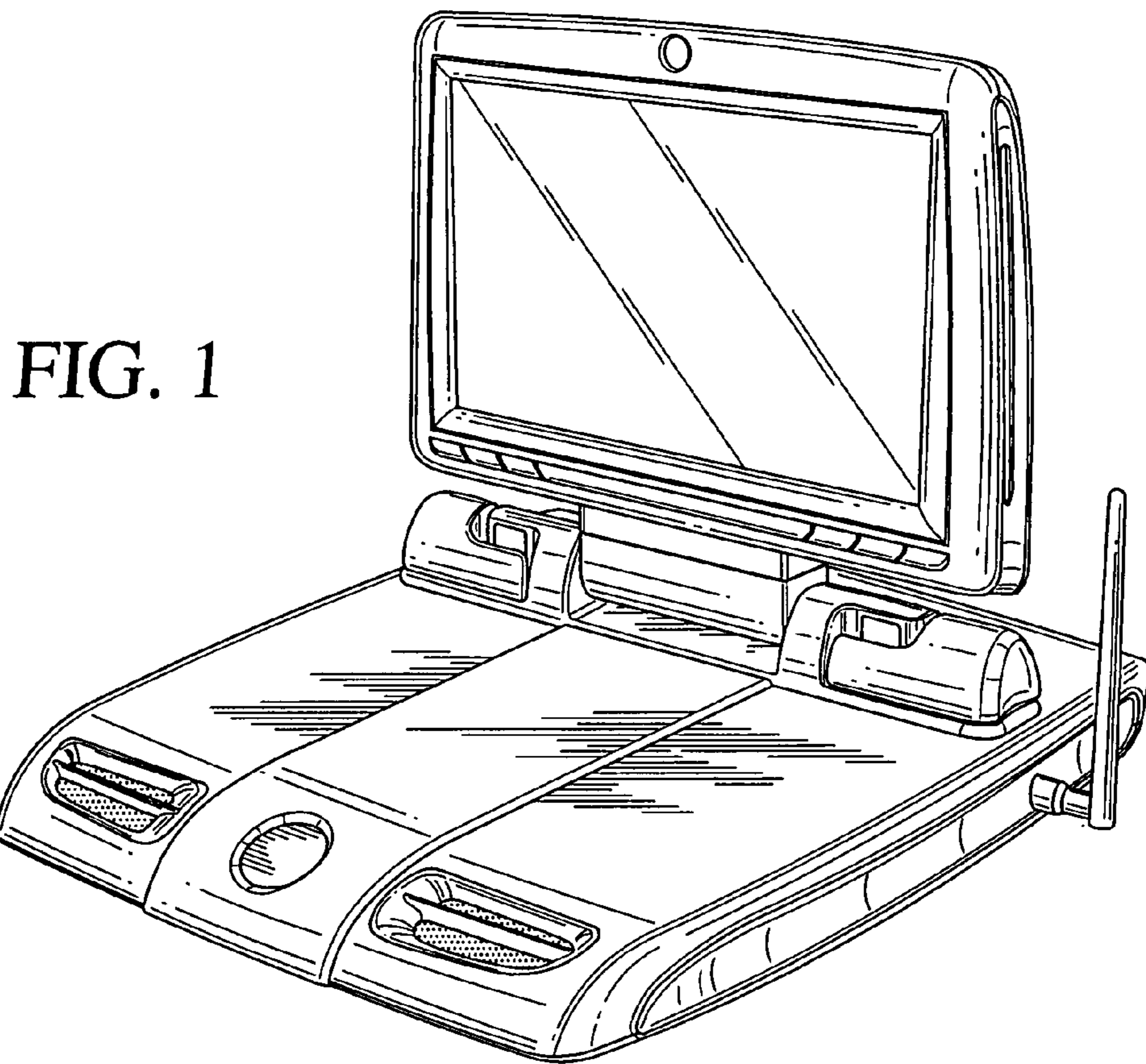


FIG. 1

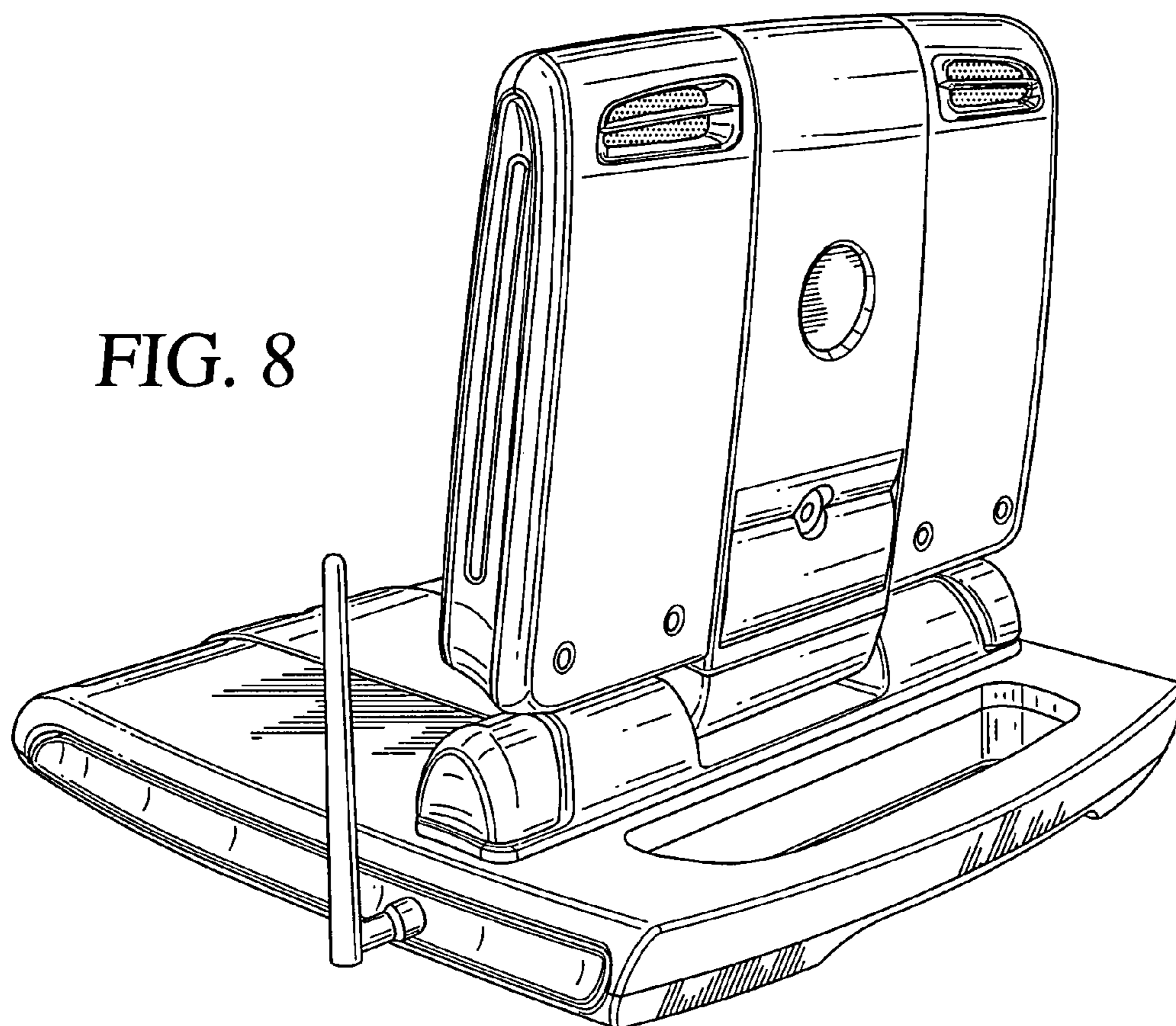


FIG. 8

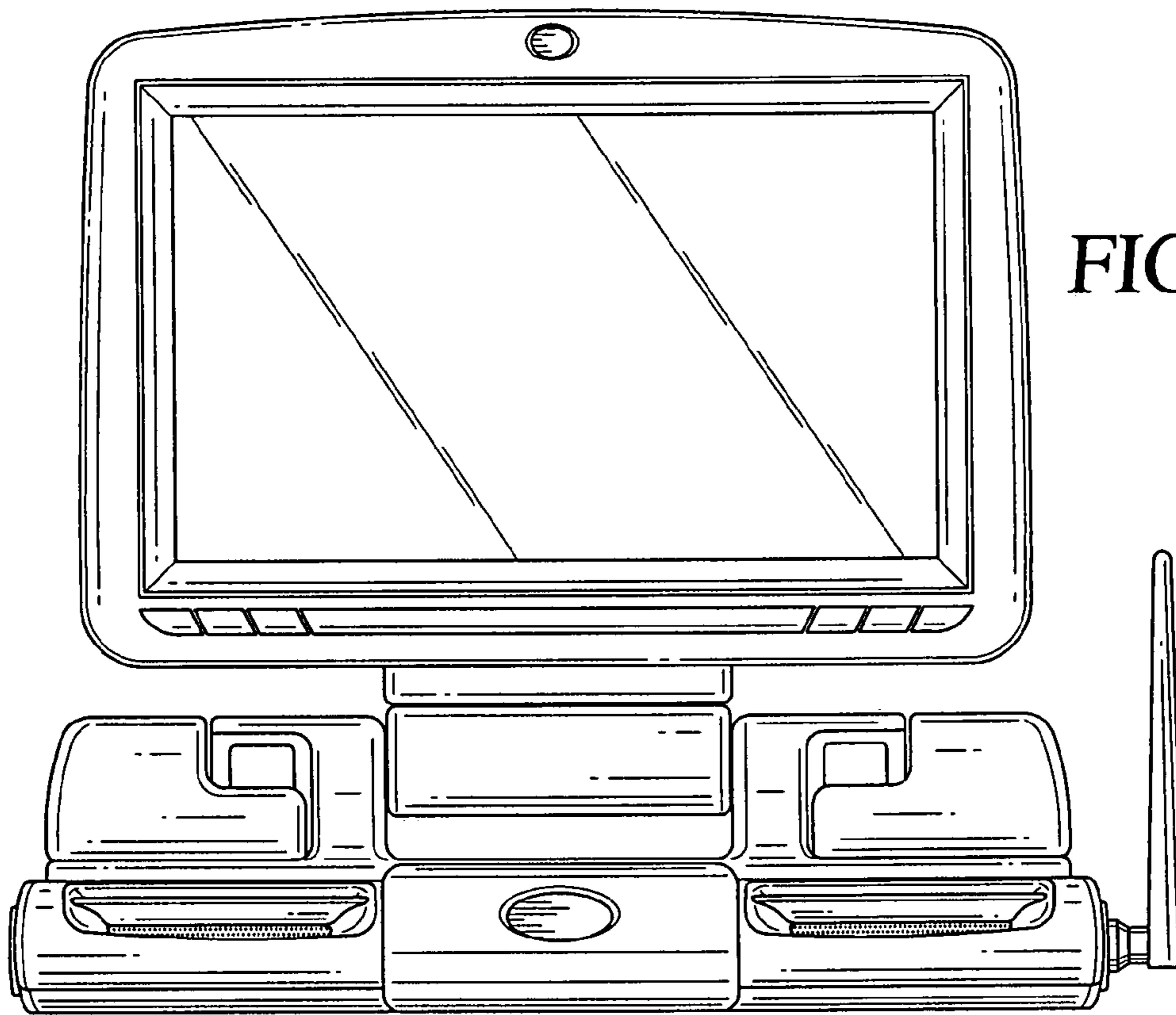


FIG. 2

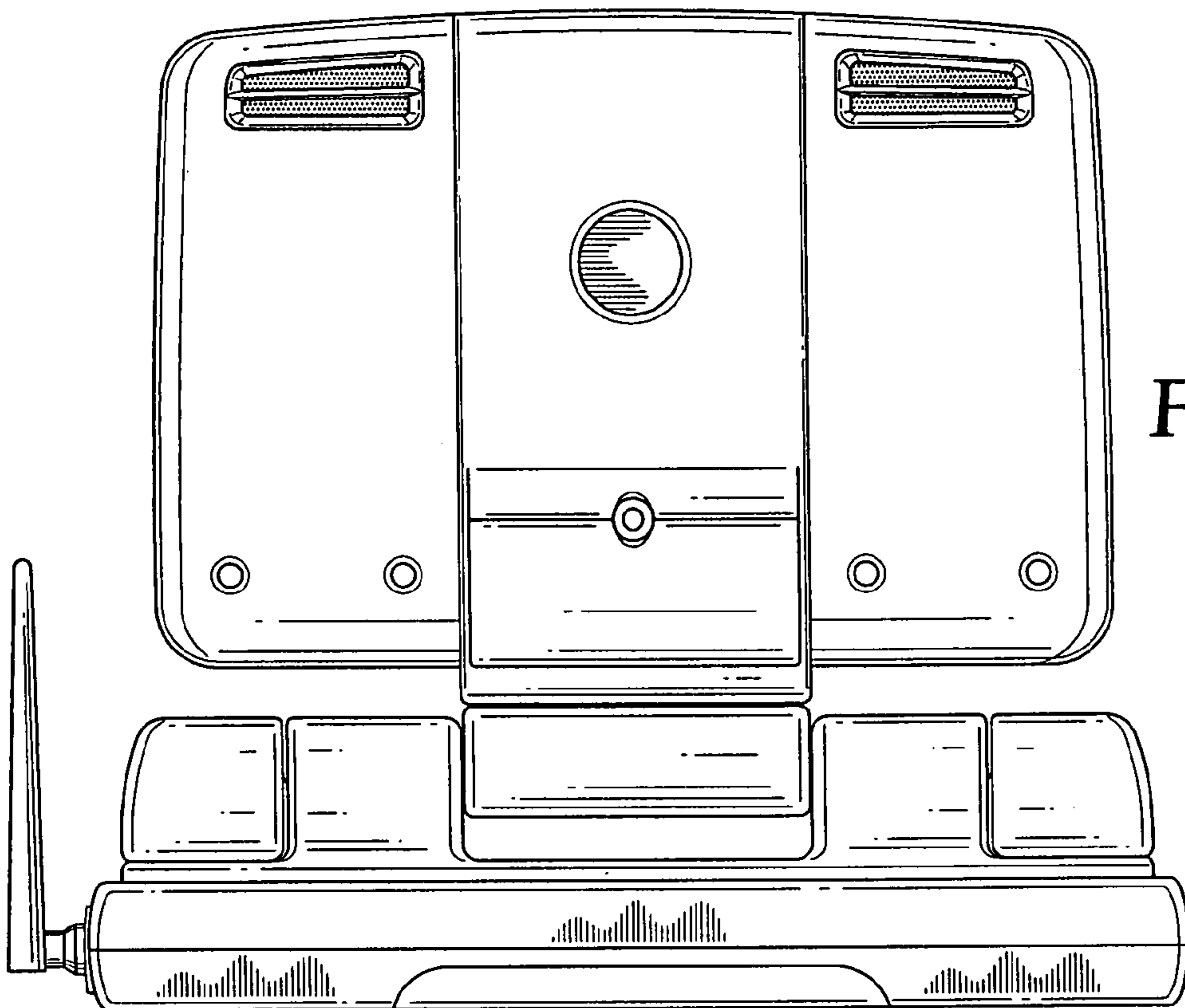


FIG. 3

FIG. 4

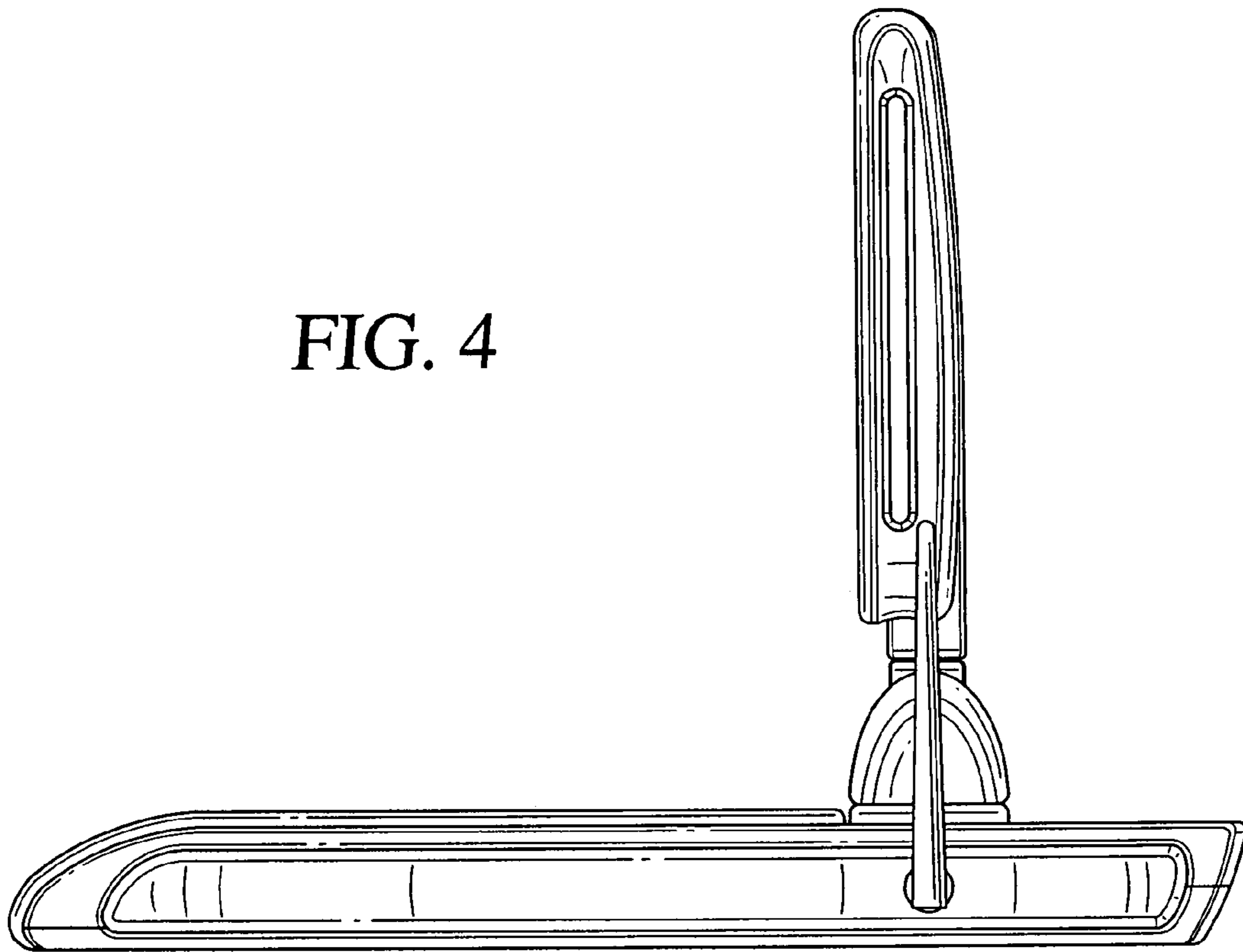
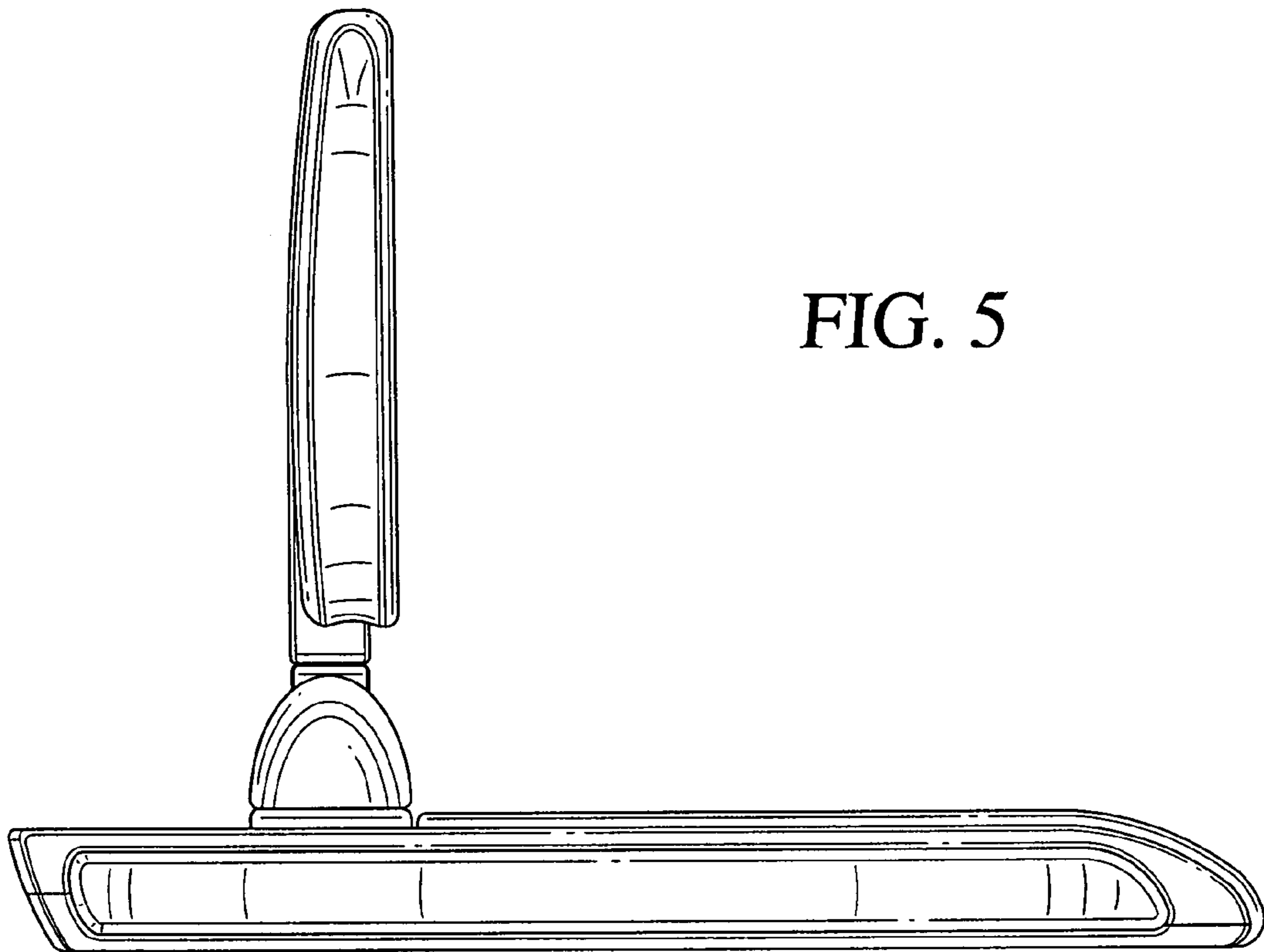


FIG. 5



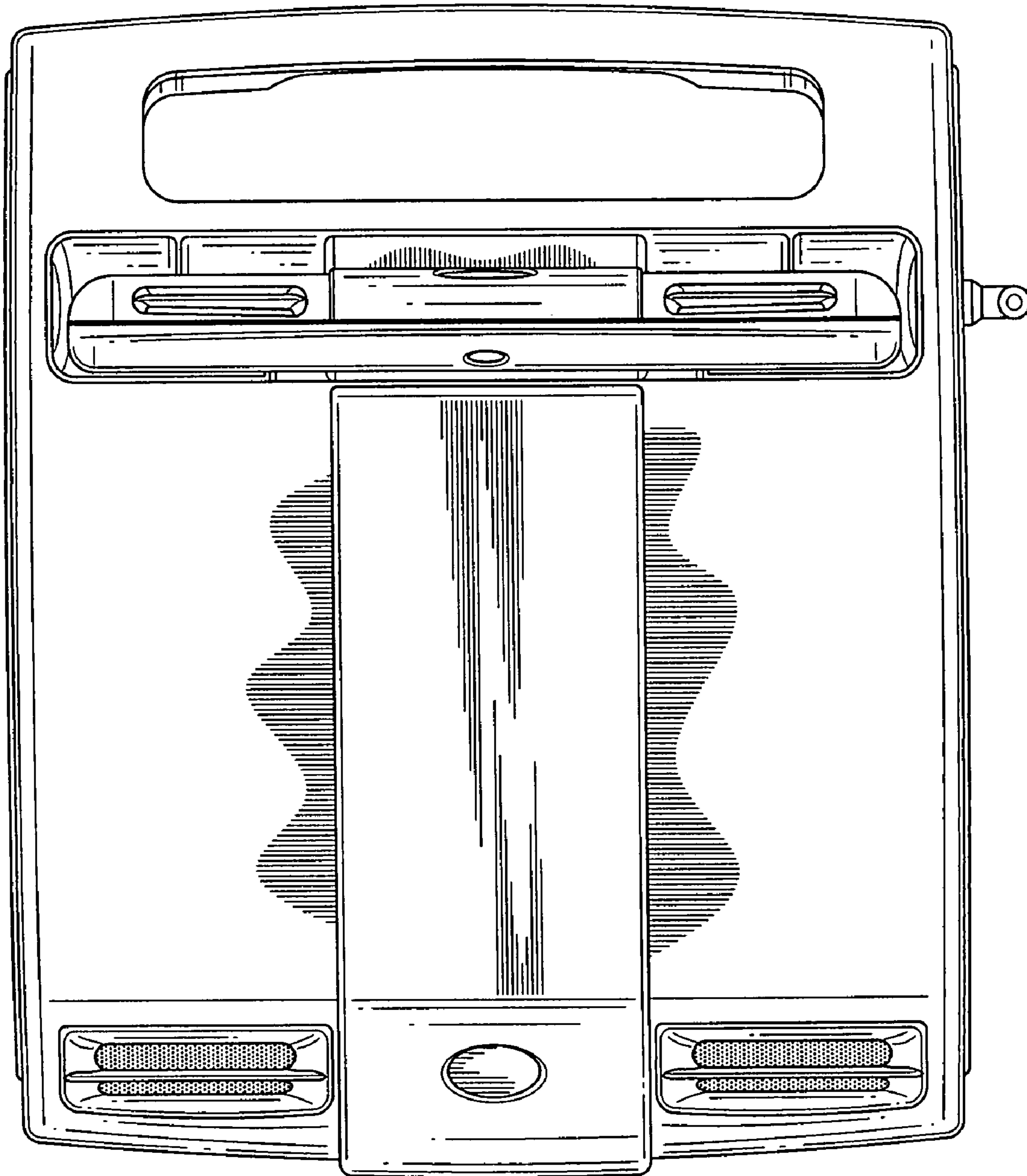


FIG. 6

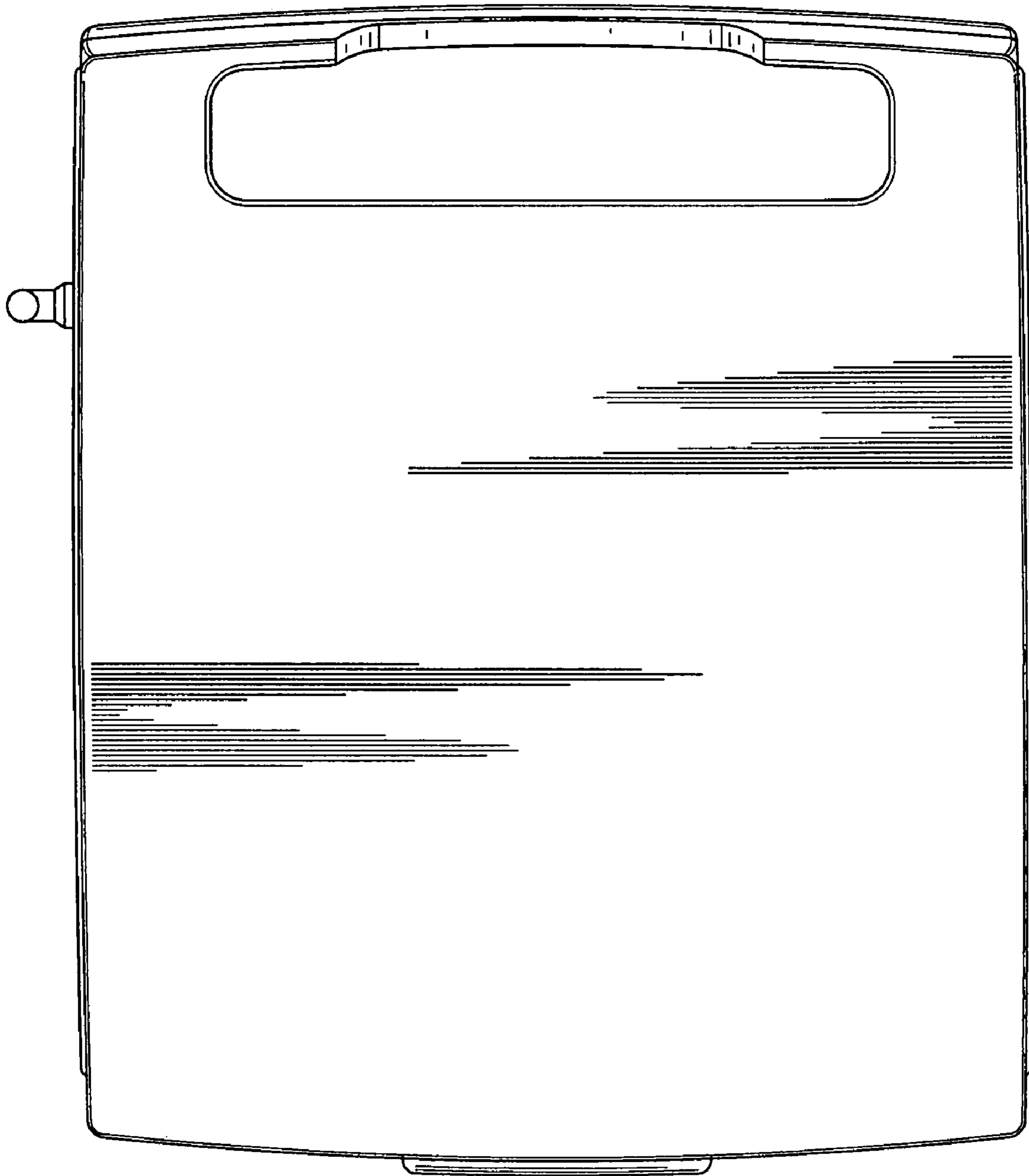


FIG. 7