



US00D563919S

(12) **United States Design Patent**
Ham et al.

(10) **Patent No.:** **US D563,919 S**
(45) **Date of Patent:** **** Mar. 11, 2008**

(54) **VOICE CONTROLLED TELEVISION**

(76) Inventors: **Wesley P. Ham**, P.O. Box 1323,
Millington, TN (US) 38083; **Donna J. Ham**, P.O. Box 1323, Millington, TN
(US) 38083

(**) Term: **14 Years**

(21) Appl. No.: **29/248,758**

(22) Filed: **Aug. 31, 2006**

(51) **LOC (8) Cl.** **14-03**

(52) **U.S. Cl.** **D14/129**

(58) **Field of Classification Search** D14/125-134,
D14/239, 371, 136, 374-377; 312/7.2; 348/836,
348/838, 180, 184, 325, 739; 341/12; 248/917-924,
248/465; 345/104, 133, 156, 168, 87, 173;
720/605, 669, 600, 655; 369/99, 197; 455/344-347
See application file for complete search history.

(56) **References Cited**

U.S. PATENT DOCUMENTS

- D308,674 S * 6/1990 Lee D14/126
- D342,513 S 12/1993 Tsubaki et al.
- D380,747 S * 7/1997 Carley D14/126
- D391,564 S * 3/1998 Takami et al. D14/129
- D392,634 S * 3/1998 Mori et al. D14/129
- D416,552 S * 11/1999 Takemoto et al. D14/129

- 6,119,088 A 9/2000 Ciluffo
- D496,012 S * 9/2004 Goto D14/129
- 6,788,337 B1 9/2004 Fujii
- D510,569 S * 10/2005 Nakanishi D14/129
- D544,848 S * 6/2007 Marz et al. D14/126
- 2002/0176566 A1 11/2002 Song et al.
- 2003/0167171 A1 9/2003 Calderone et al.
- 2005/0033581 A1 2/2005 Foster

* cited by examiner

Primary Examiner—Raphael Barkai

(57) **CLAIM**

The ornamental design for a voice controlled television, as shown and described.

DESCRIPTION

FIG. 1 is a front elevation view of a voice controlled television showing our new design;

FIG. 2 is a rear elevation view;

FIG. 3 is a right elevation view;

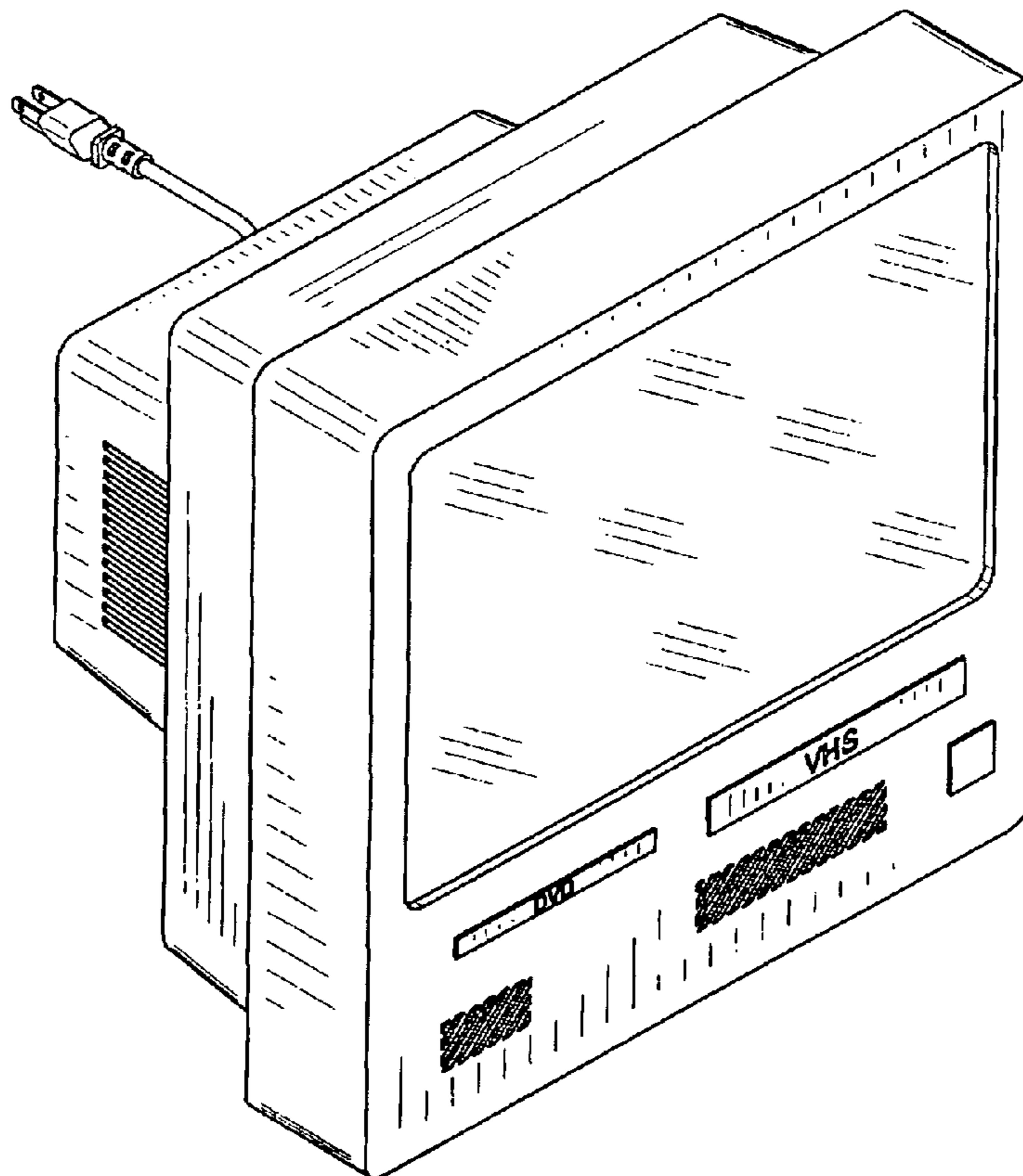
FIG. 4 is a left elevation view;

FIG. 5 is a top plan view;

FIG. 6 is a bottom plan view; and,

FIG. 7 is an isometric view of a voice controlled television showing our new design.

1 Claim, 4 Drawing Sheets



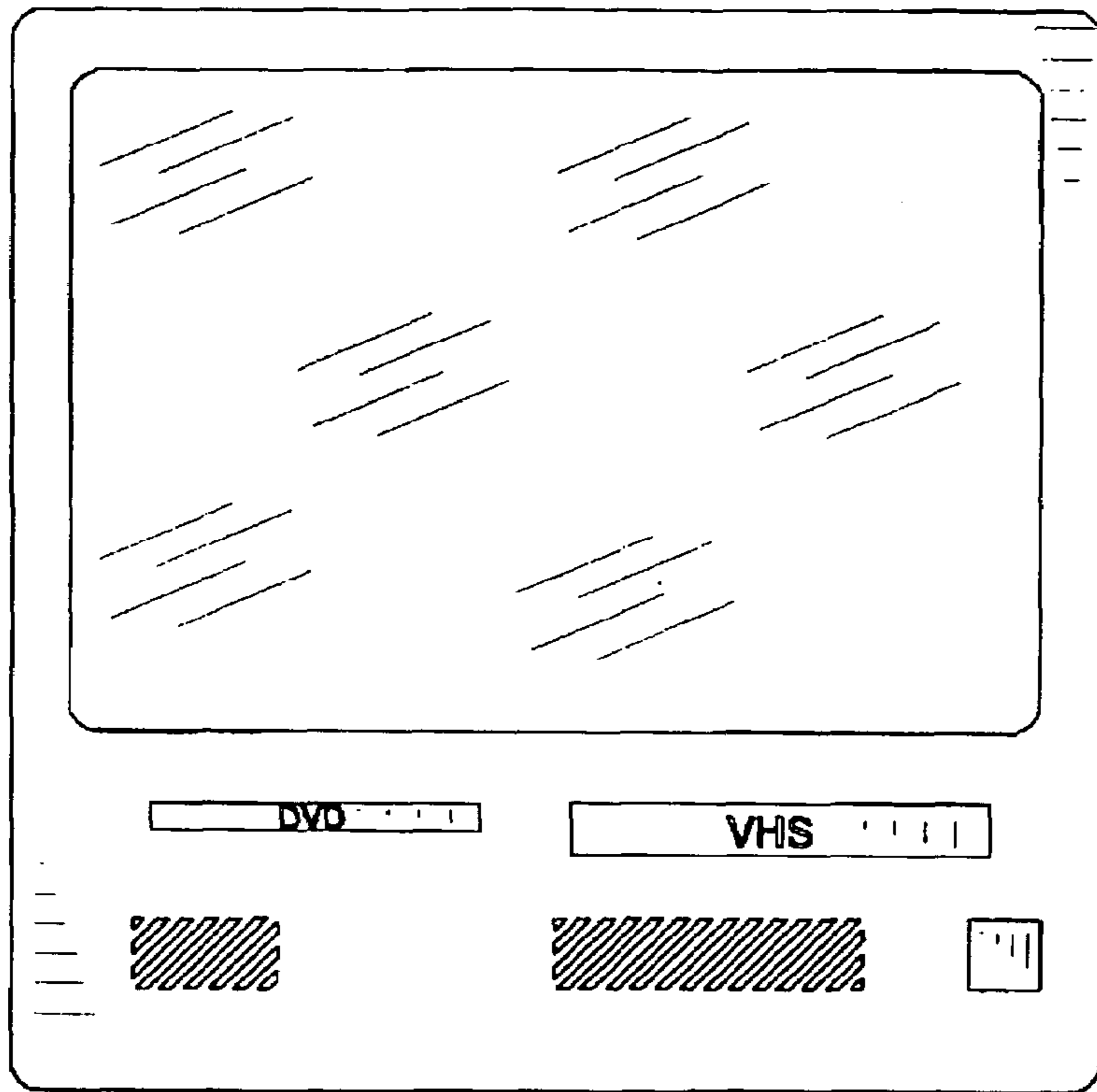


FIG. 1

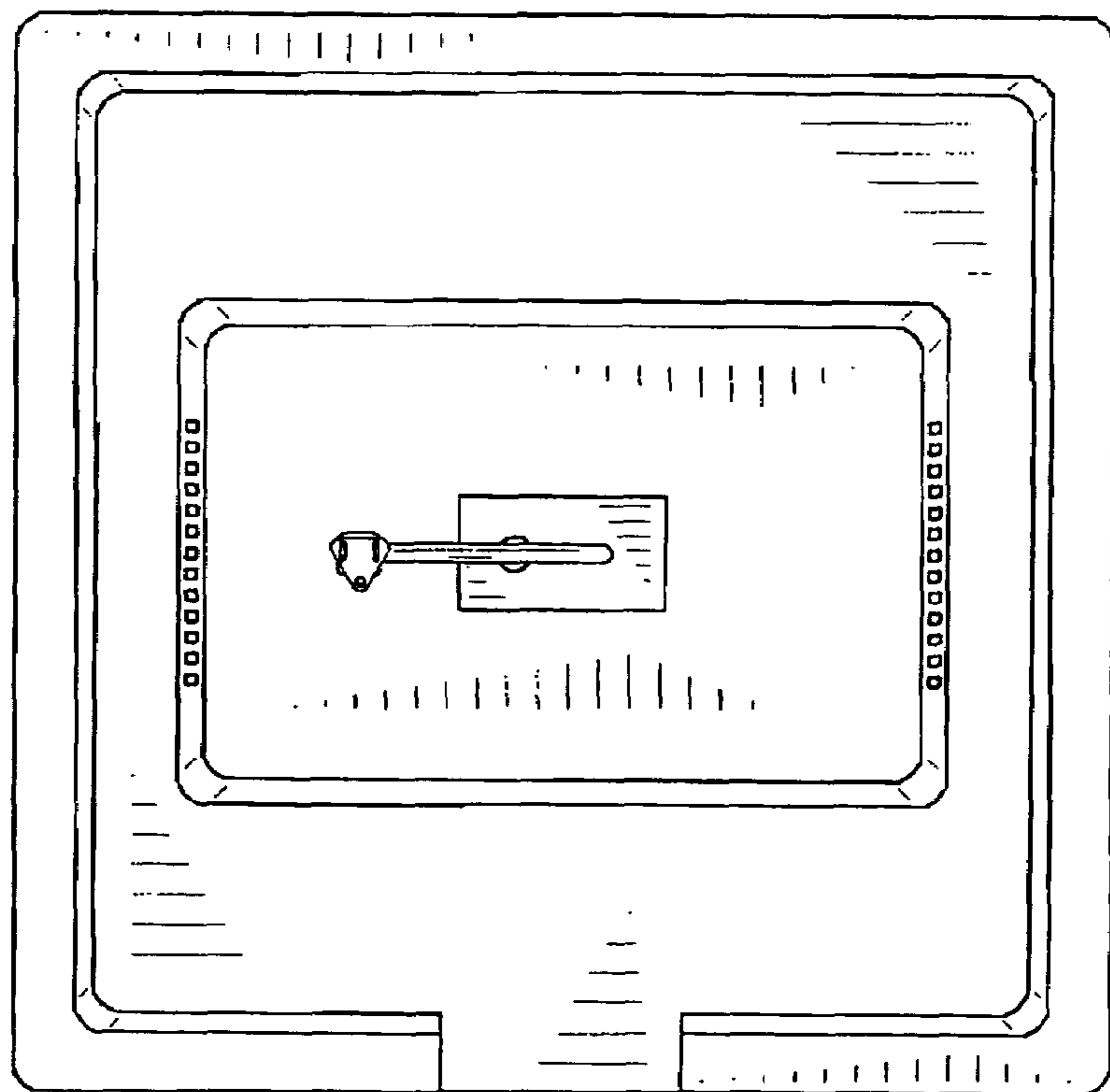


FIG. 2

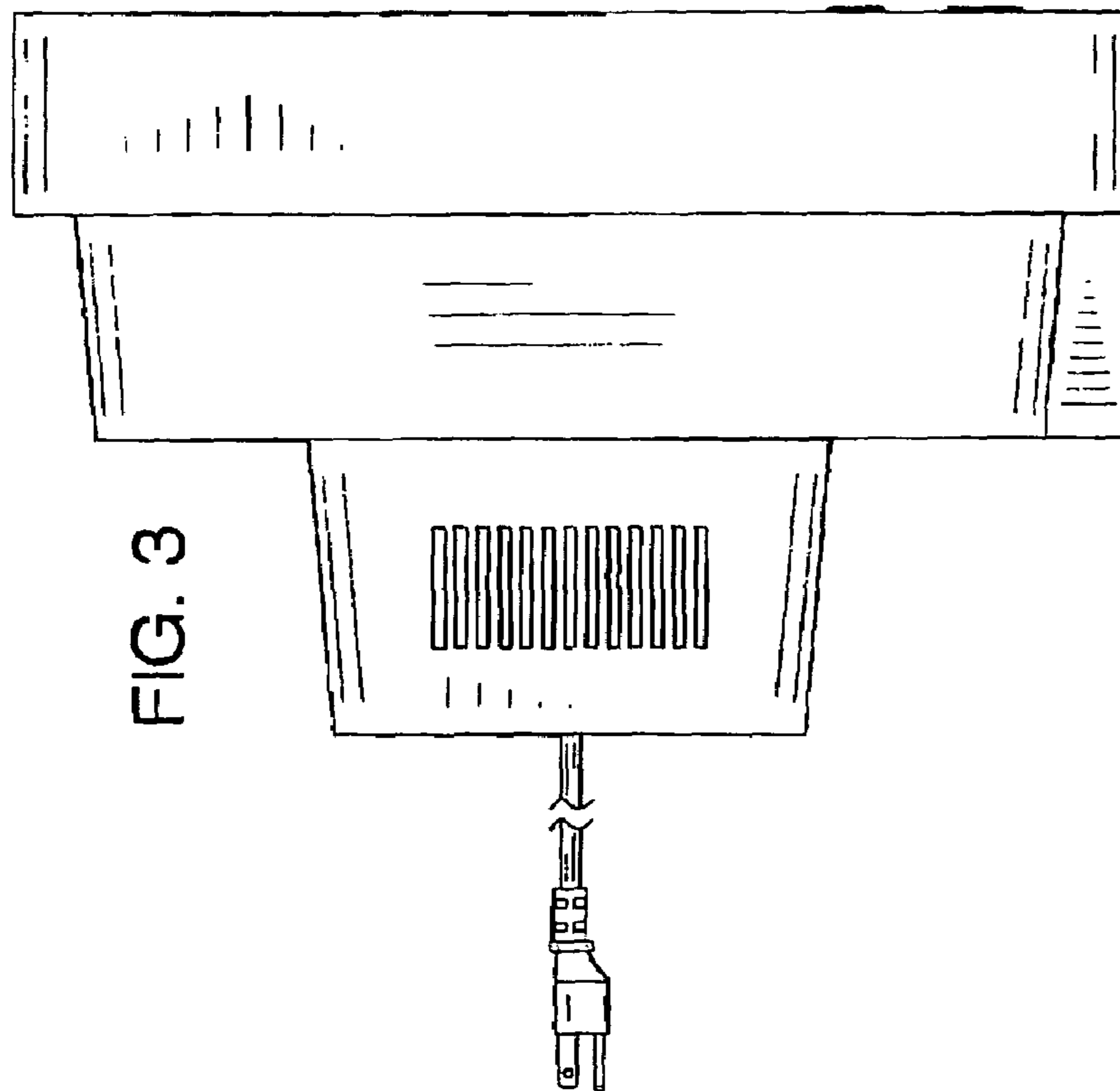


FIG. 3

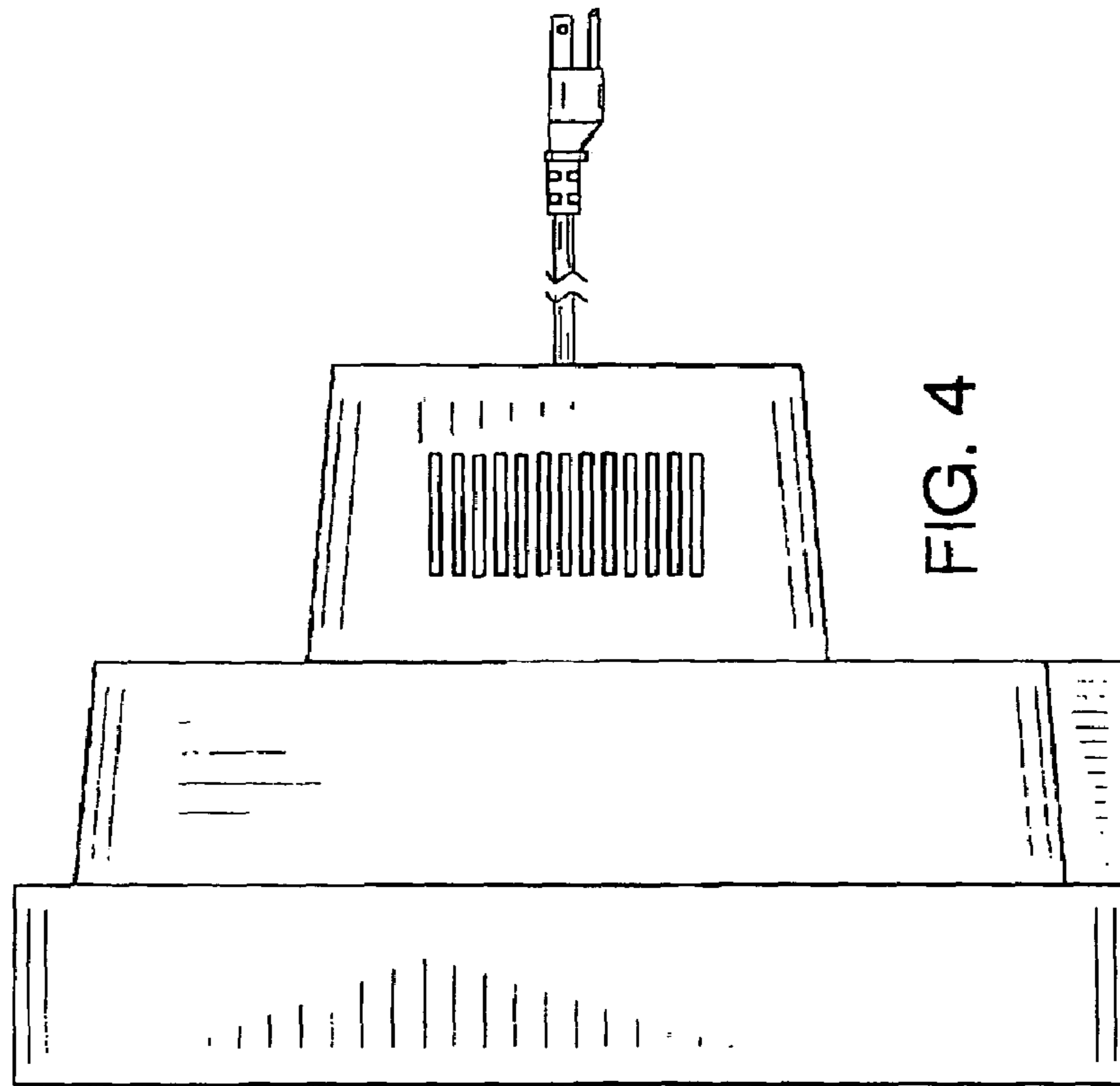


FIG. 4

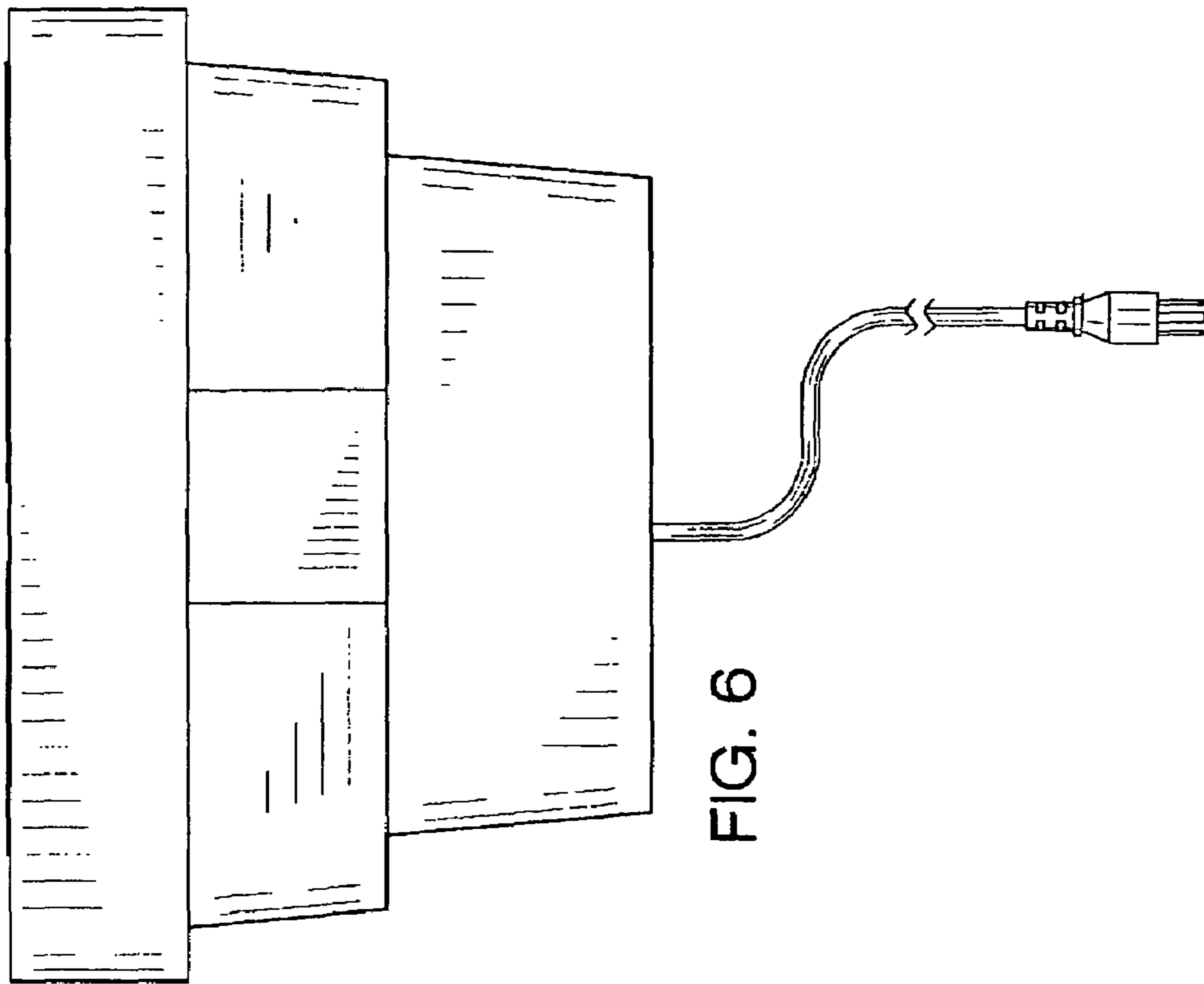


FIG. 6

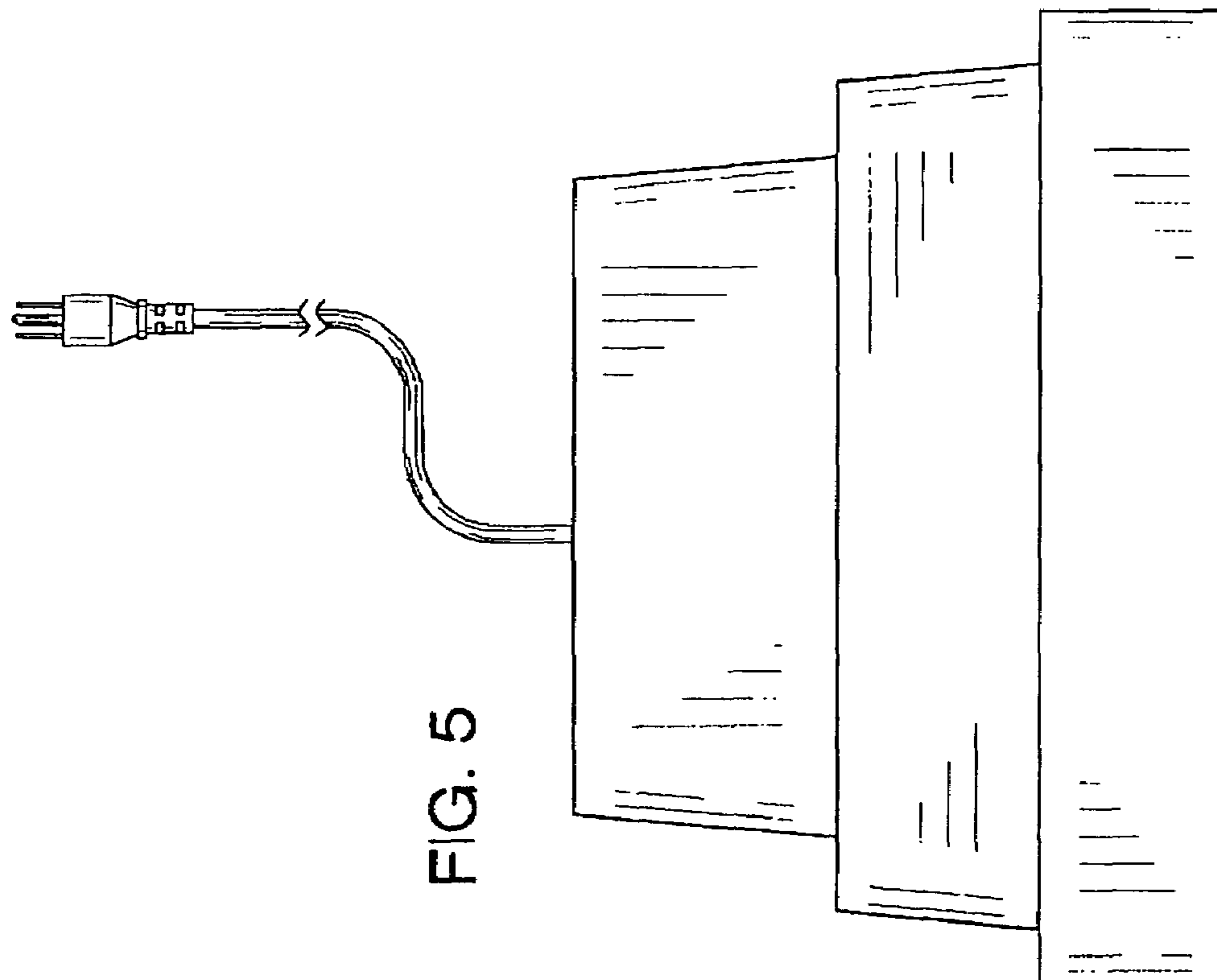


FIG. 5

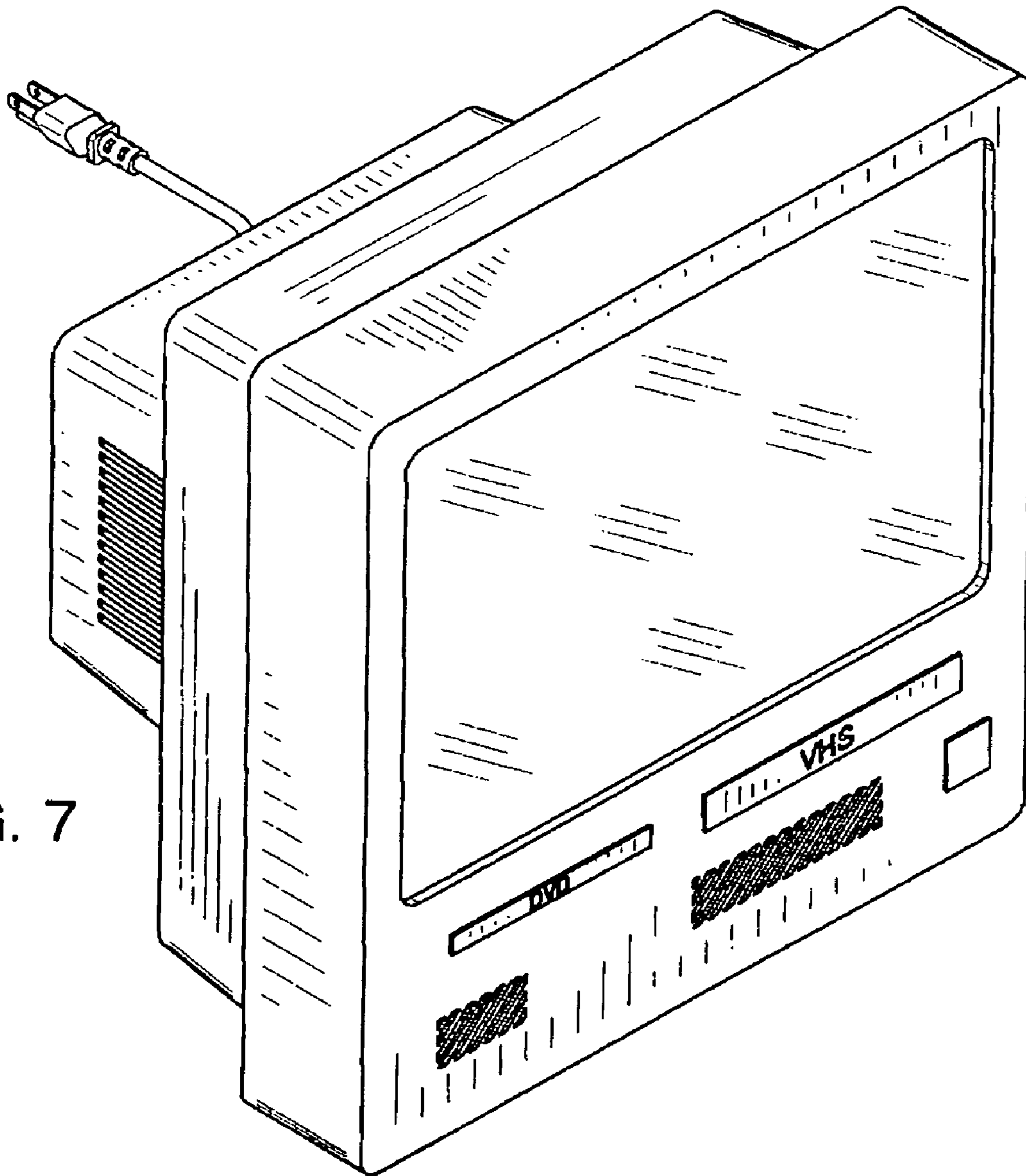


FIG. 7