

US00D563918S

(12) **United States Design Patent**
Ju et al.

(10) **Patent No.:** **US D563,918 S**
(45) **Date of Patent:** **** Mar. 11, 2008**

(54) **PDP TELEVISION RECEIVER**
(75) Inventors: **Keun Ho Ju**, Gyeonggi-do (KR); **Eun
Ie Ko**, Gyeonggi-do (KR); **Sung Soo
Jun**, Seoul (KR); **Sung Gu Joe**, Seoul
(KR)

(73) Assignee: **LG Electronics Inc.**, Seoul (KR)

(**) Term: **14 Years**

(21) Appl. No.: **29/274,180**

(22) Filed: **Apr. 3, 2007**

(30) **Foreign Application Priority Data**

Oct. 4, 2006 (KR) 30-2006-0040464

(51) **LOC (8) Cl.** **14-03**

(52) **U.S. Cl.** **D14/128**

(58) **Field of Classification Search** D14/125-134,
D14/239, 371, 136, 374-377; 312/7.2; 348/836,
348/838, 180, 184, 325, 739; 341/12; 248/917-924,
248/465; 345/104, 133, 156, 168, 87, 173;
720/605, 669, 600, 655; 369/99, 197; 455/344-347
See application file for complete search history.

(56) **References Cited**

U.S. PATENT DOCUMENTS

D498,216 S * 11/2004 Takami et al. D14/239

D501,186 S * 1/2005 Kita D14/126
D533,848 S * 12/2006 Lee et al. D14/126
D544,849 S * 6/2007 Yang et al. D14/126
D545,778 S * 7/2007 Isshiki D14/126
D546,303 S * 7/2007 Fujii et al. D14/126

* cited by examiner

Primary Examiner—Raphael Barkai

(74) *Attorney, Agent, or Firm*—Birch, Stewart, Kolasch &
Birch, LLP

(57) **CLAIM**

We claim the ornamental design for PDP television receiver,
as shown and described.

DESCRIPTION

FIG. 1 is a perspective view of PDP television receiver
showing the new design:

FIG. 2 is a front elevation view thereof;

FIG. 3 is a rear elevation view thereof;

FIG. 4 is a left-side elevation view thereof;

FIG. 5 is a right-side elevation view thereof;

FIG. 6 is a top plan view thereof; and,

FIG. 7 is a bottom plan view thereof.

1 Claim, 4 Drawing Sheets

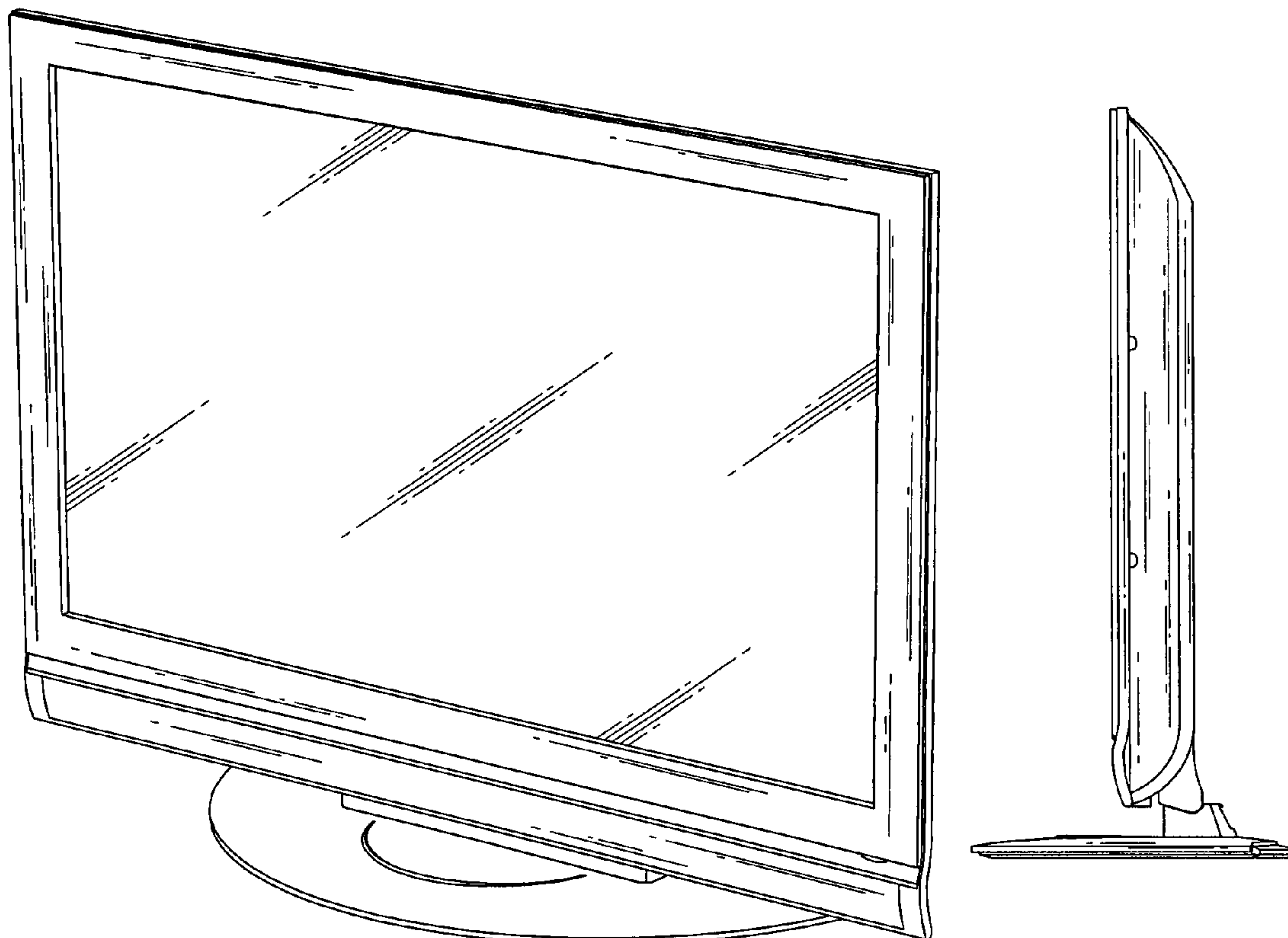


FIG. 1

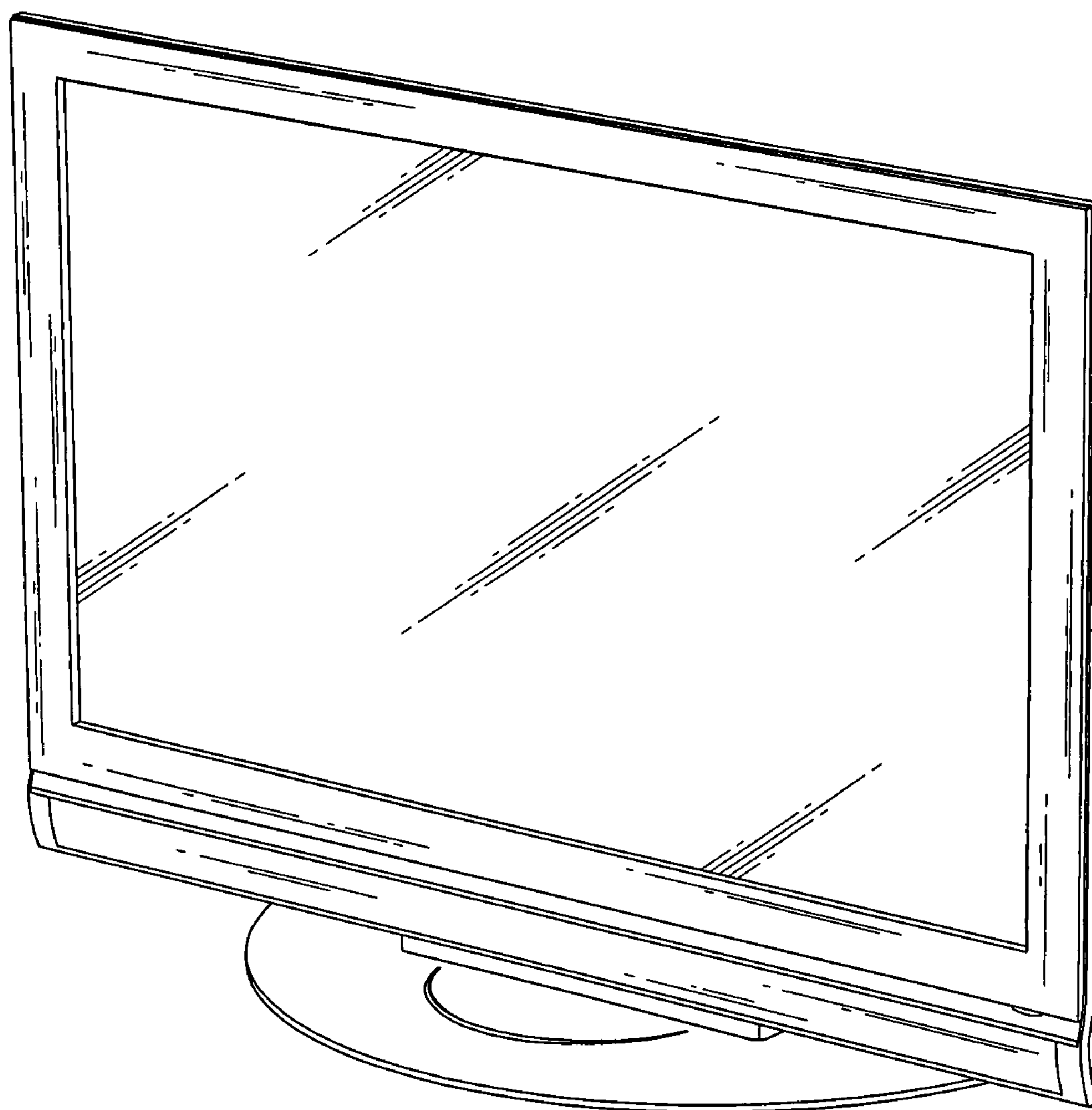


FIG. 2

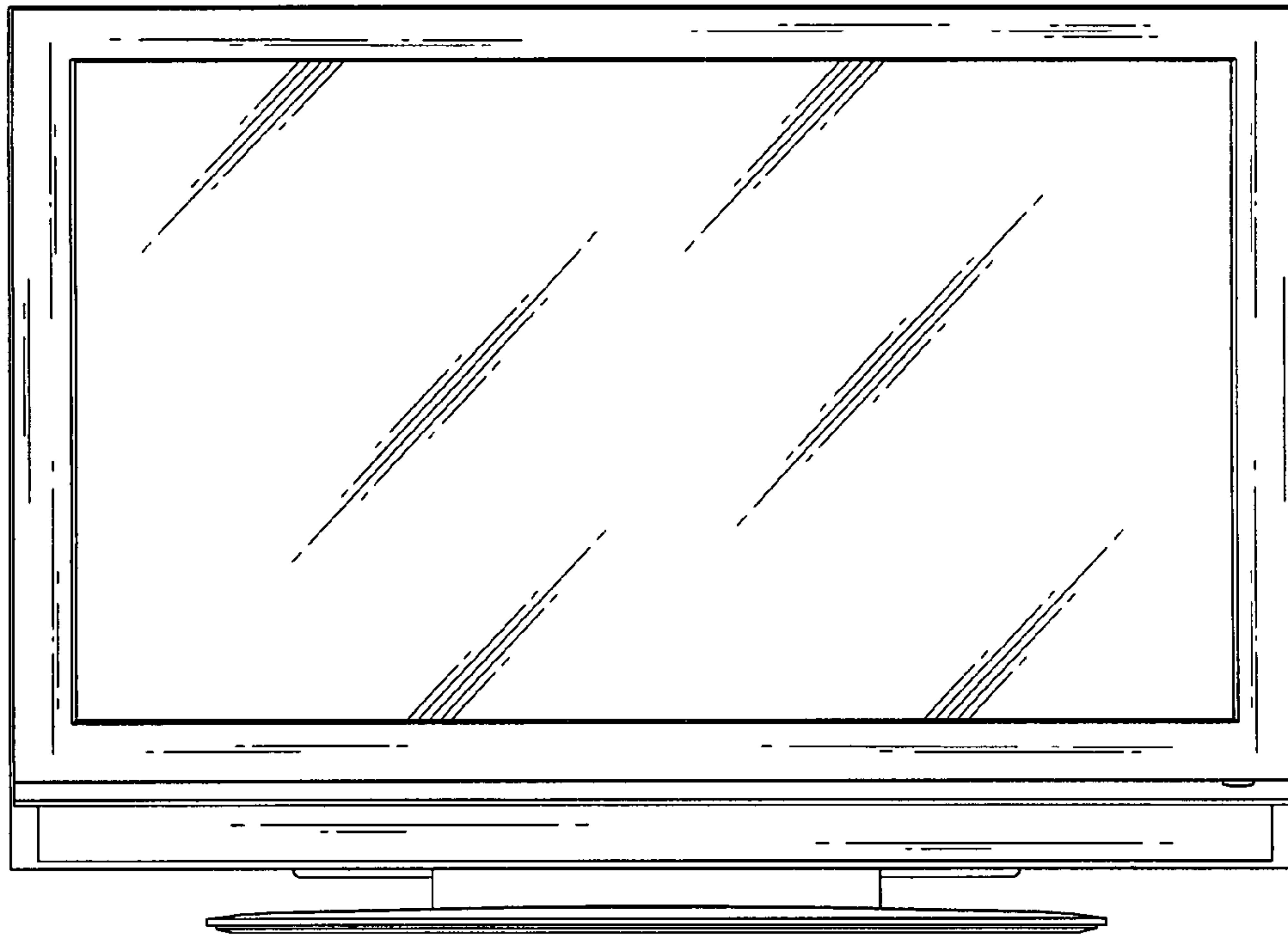


FIG. 3

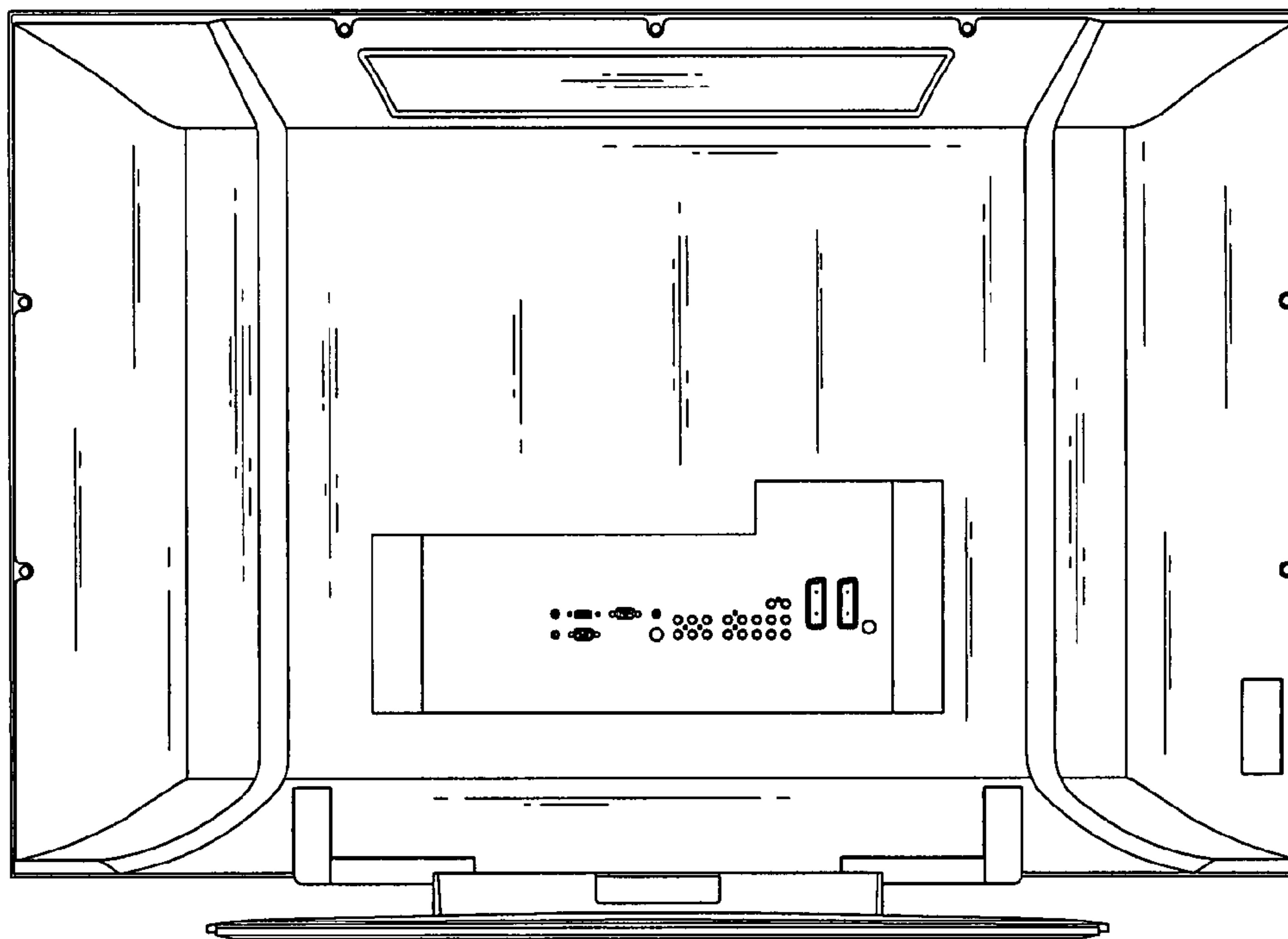


FIG. 4

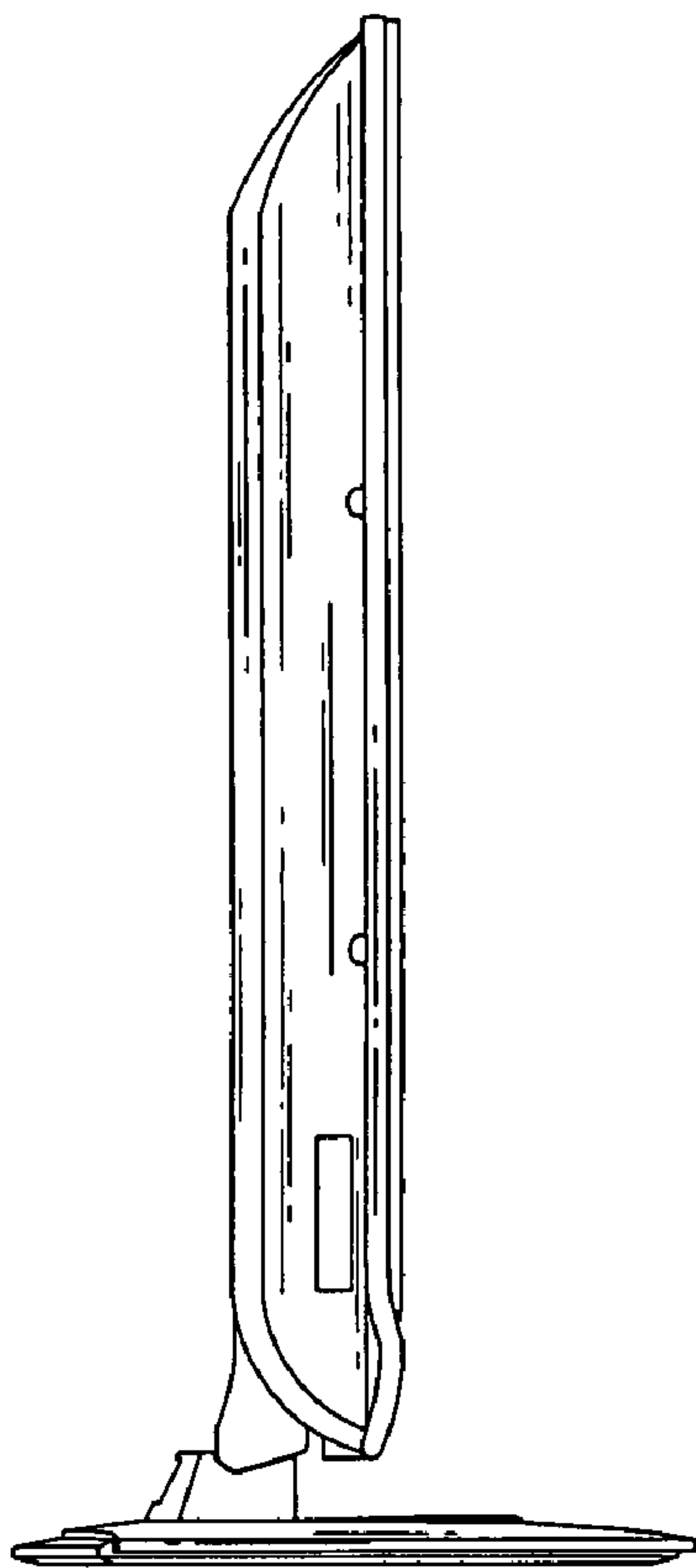


FIG. 5

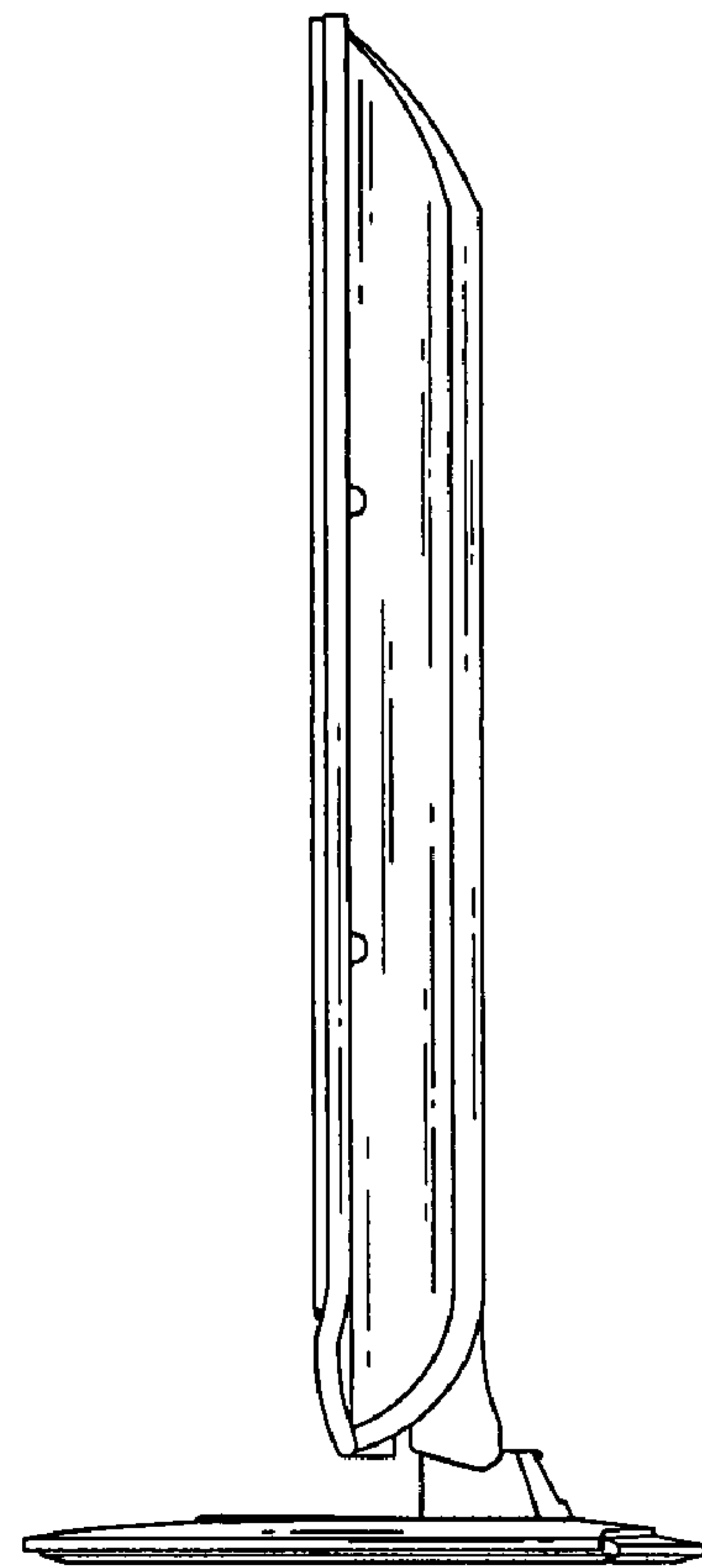


FIG. 6

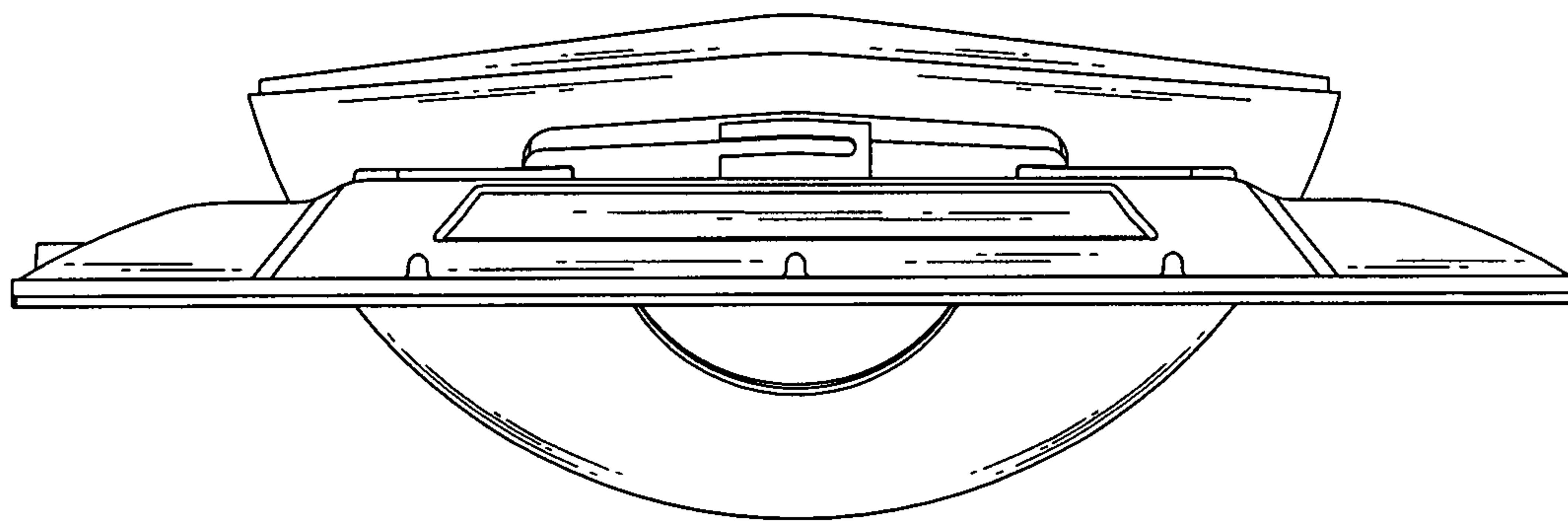


FIG. 7

