



US00D563917S

(12) **United States Design Patent**  
**Kobayashi et al.**

(10) **Patent No.:** **US D563,917 S**  
(45) **Date of Patent:** **\*\* Mar. 11, 2008**

(54) **TELEVISION CONFERENCE SYSTEM WITH DISPLAYS**

D499,704 S \* 12/2004 Song ..... D14/127  
D510,920 S \* 10/2005 Tandberg et al. .... D14/127  
D553,107 S \* 10/2007 Harper et al. .... D14/126

(75) Inventors: **Osamu Kobayashi**, Tokyo (JP);  
**Norikazu Hagiya**, Tokyo (JP);  
**Terumasa Takahashi**, Tokyo (JP)

\* cited by examiner

*Primary Examiner*—Raphael Barkai

(73) Assignee: **NEC Engineering, Ltd.**, Tokyo (JP)

(74) *Attorney, Agent, or Firm*—Seyfarth Shaw LLP

(\*\*) Term: **14 Years**

(57) **CLAIM**

(21) Appl. No.: **29/273,352**

The ornamental design for the television conference system with displays, as shown and described.

(22) Filed: **Mar. 2, 2007**

**DESCRIPTION**

(30) **Foreign Application Priority Data**

Sep. 27, 2006 (JP) ..... 2006-025959

FIG. 1 is a front elevational view of the television conference system with displays showing our new design;

FIG. 2 is a rear elevational view thereof;

(51) **LOC (8) Cl.** ..... **14-03**

(52) **U.S. Cl.** ..... **D14/127; D14/129**

FIG. 3 is a side elevational view of one side thereof;

FIG. 4 is a side elevational view of the other side thereof;

(58) **Field of Classification Search** ..... D14/125-134,

D14/239, 371, 136, 374-377; 312/7.2; 348/836,

348/838, 180, 184, 325, 739; 341/12; 248/917-924,

248/465; 345/104, 133, 156, 168, 87, 173;

720/605, 669, 600, 655; 369/99, 197; 455/344-347

See application file for complete search history.

FIG. 5 is a top plan view thereof;

FIG. 6 is a bottom plan view thereof;

FIG. 7 is a perspective view thereof;

FIG. 8 is a perspective view like FIG. 7 but with panels inclined with respect to the vertical;

FIG. 9 is a view like FIG. 4 but with all panels aligned;

FIG. 10 is a scaled-down perspective view with all panels aligned; and,

FIG. 11 is a scaled-down perspective view with all panels aligned and inclined with respect to the vertical.

(56) **References Cited**

**U.S. PATENT DOCUMENTS**

D294,354 S \* 2/1988 West et al. .... D14/133

D297,236 S \* 8/1988 Tiffin ..... D14/306

4,836,486 A \* 6/1989 Vossoughi et al. .... 248/281.11

D340,235 S \* 10/1993 Robak et al. .... D14/373

5,547,248 A \* 8/1996 Marechal ..... 297/188.17

**1 Claim, 6 Drawing Sheets**

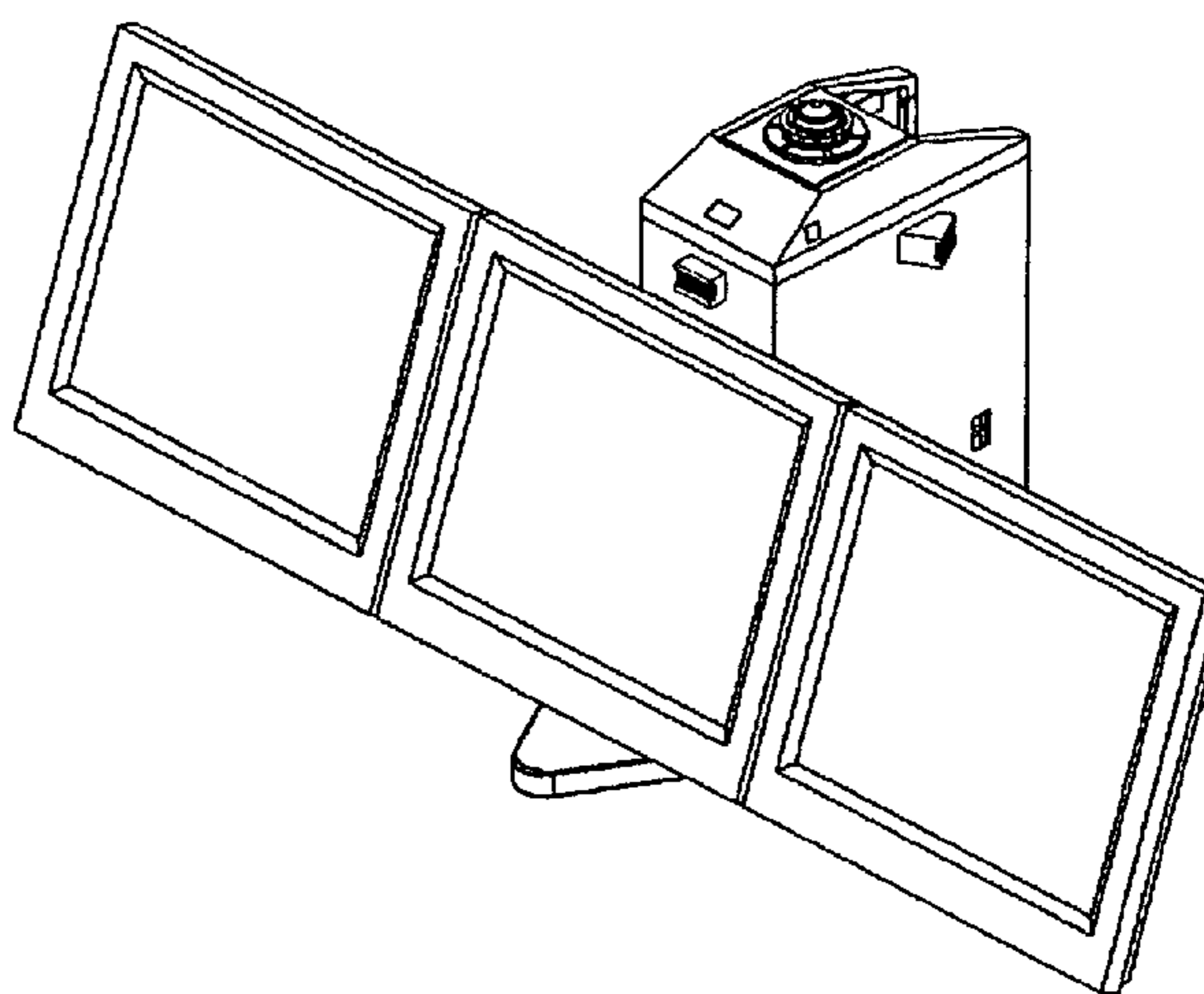
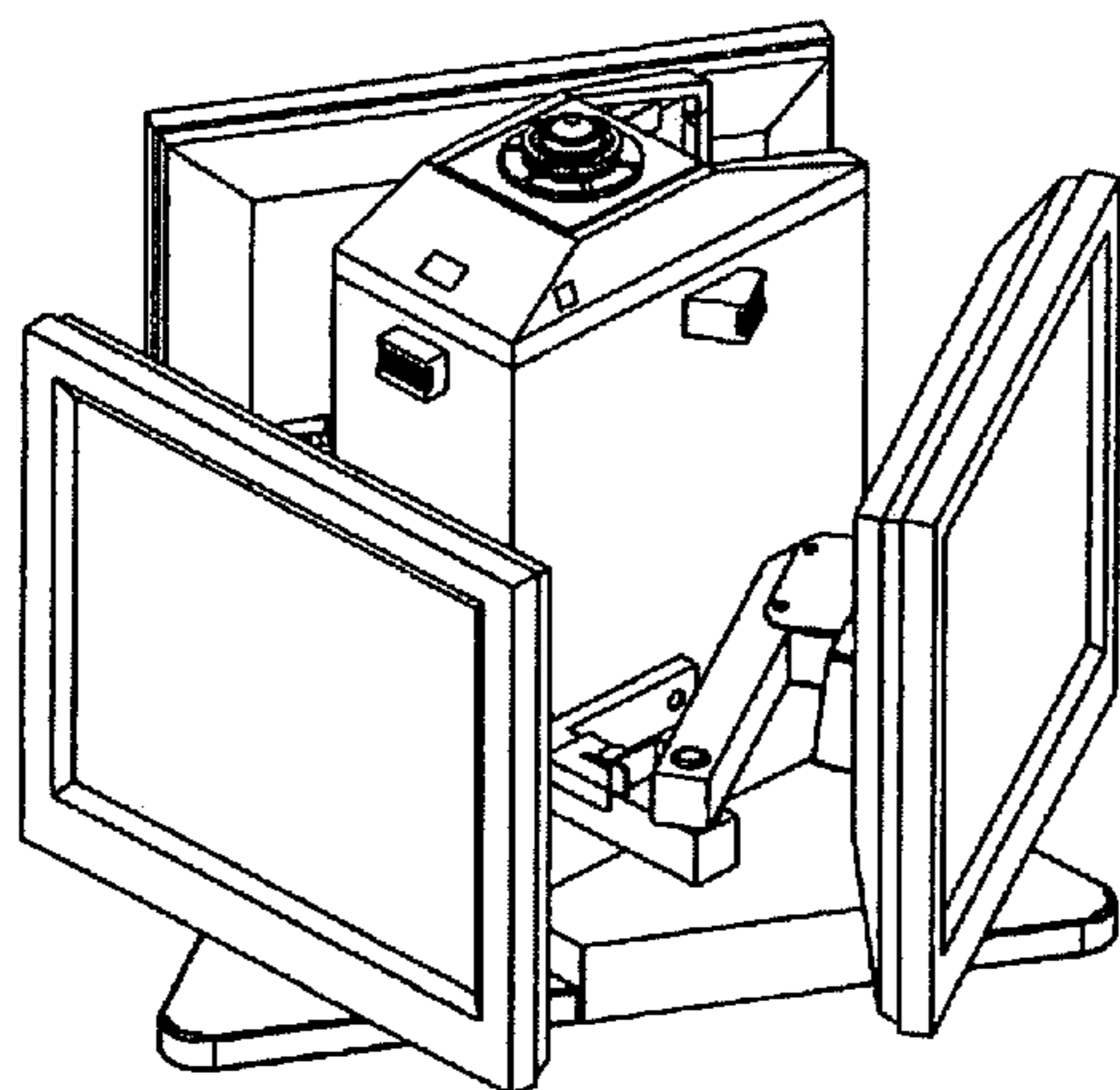


FIG. 1

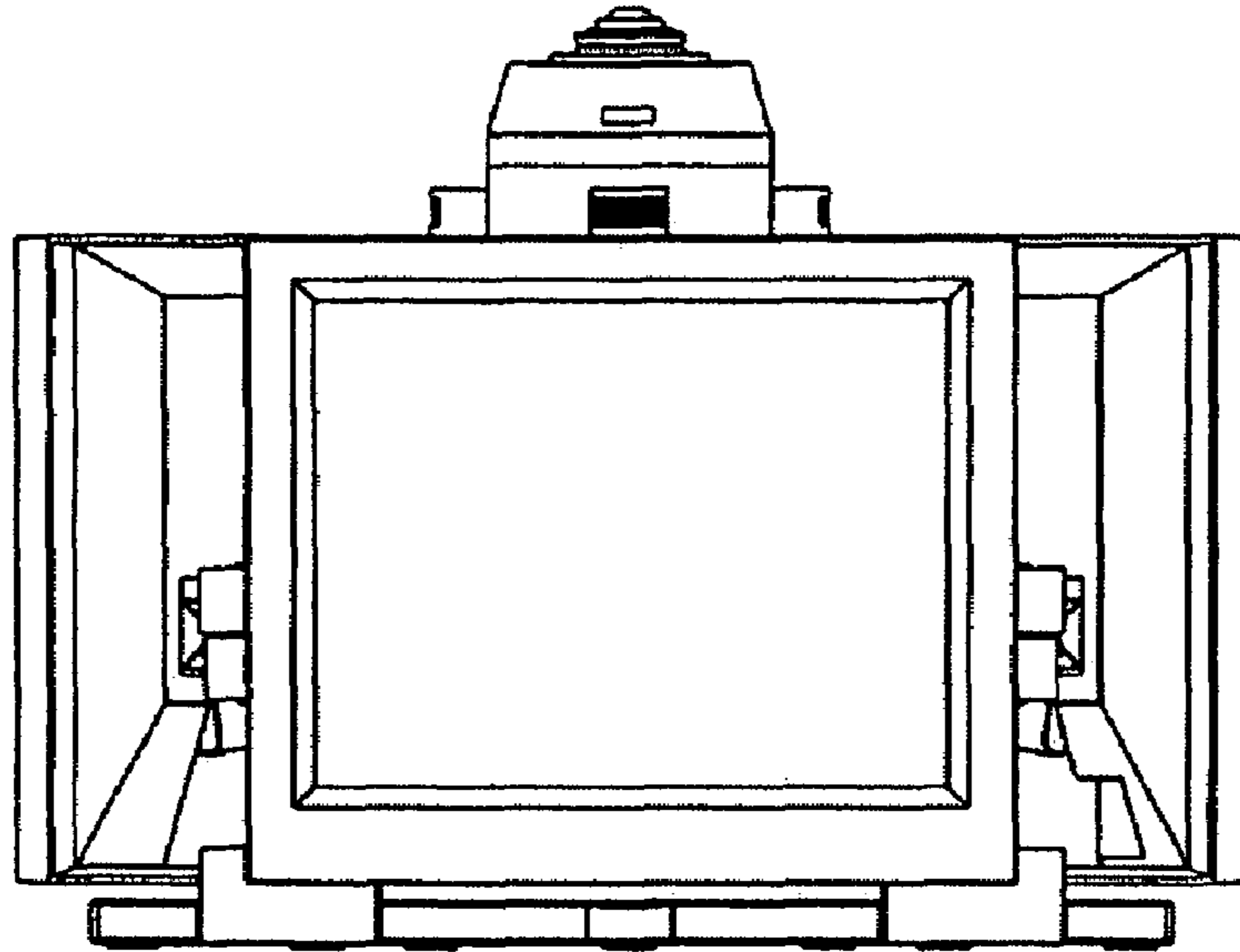


FIG. 2

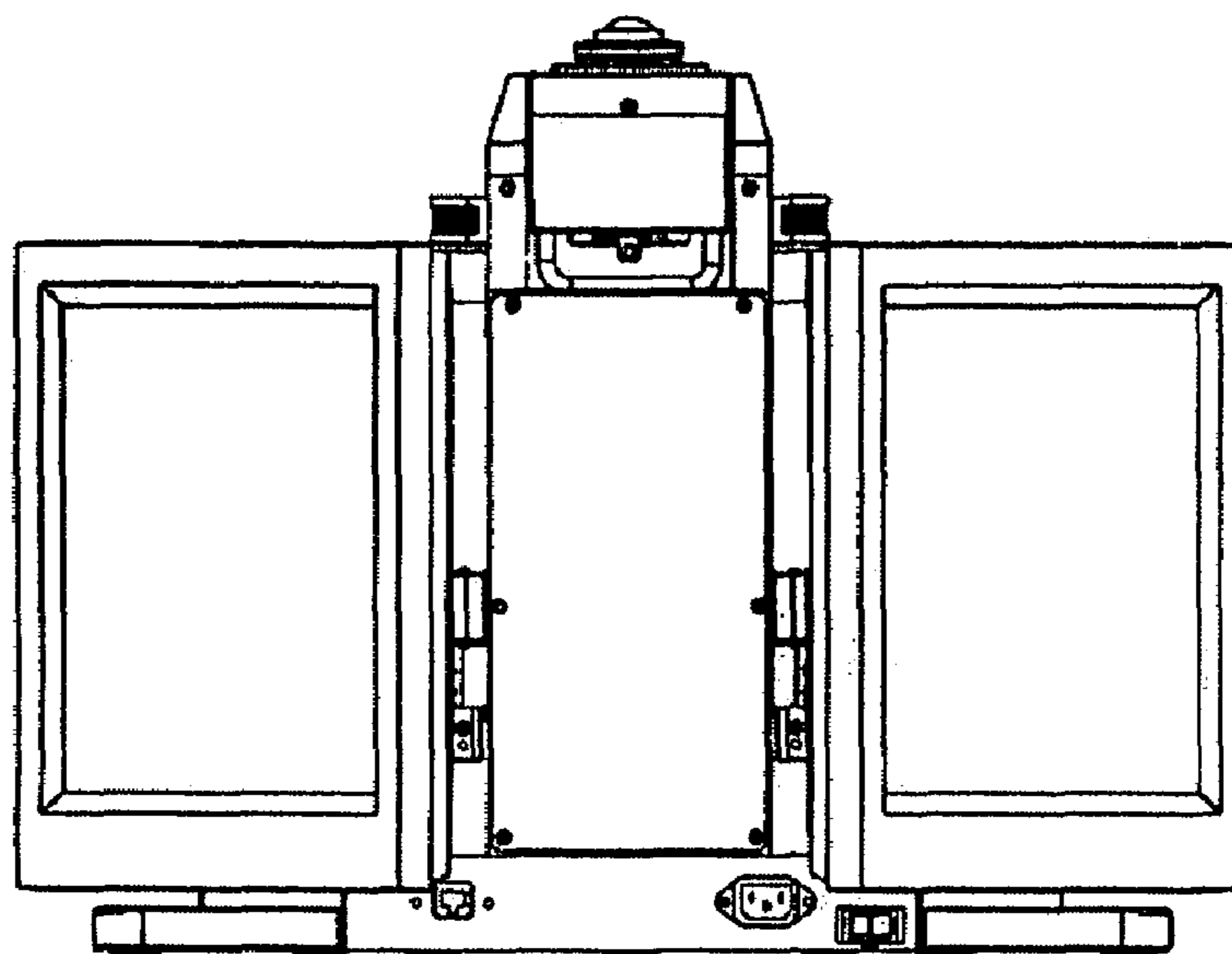


FIG. 3

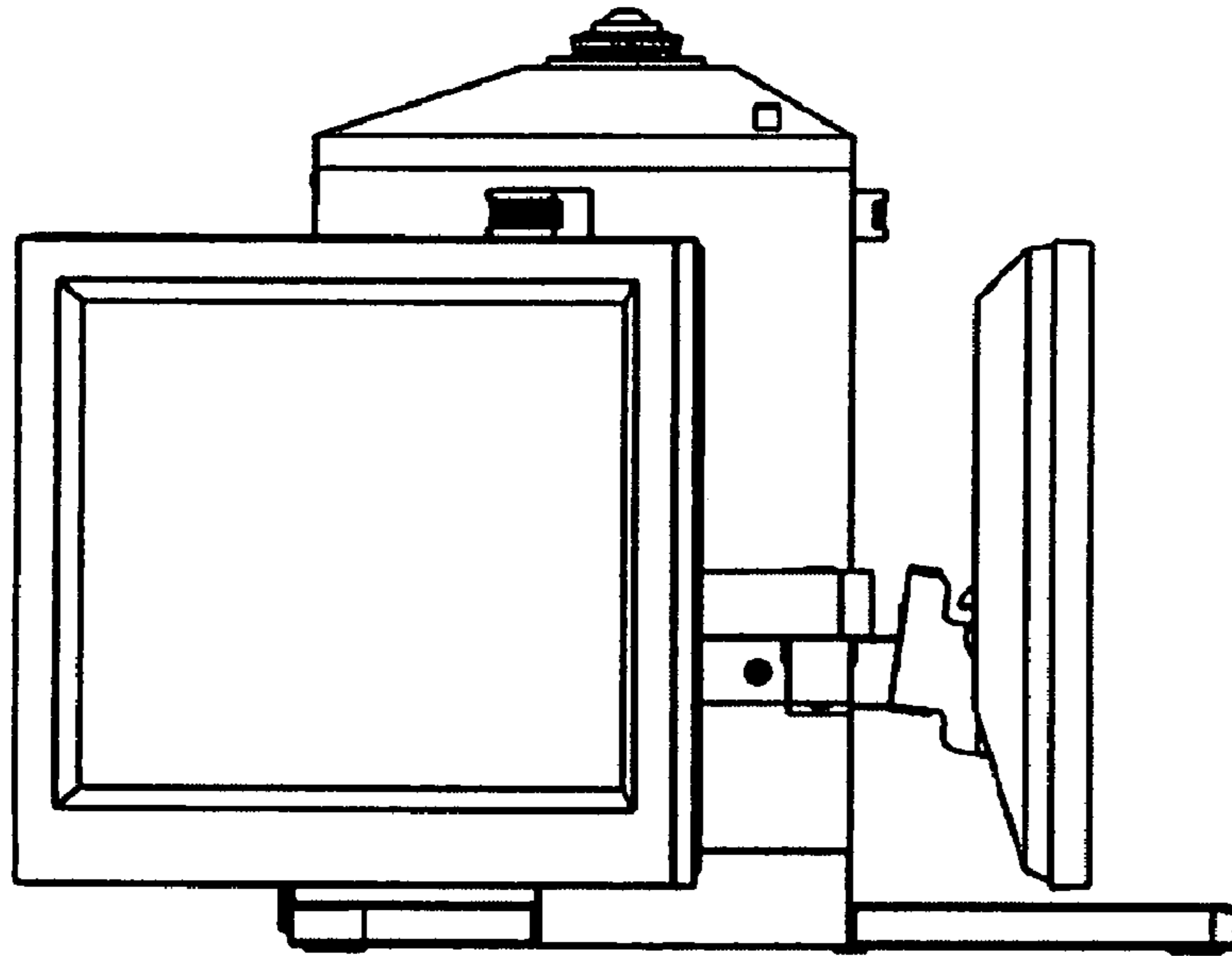


FIG. 4

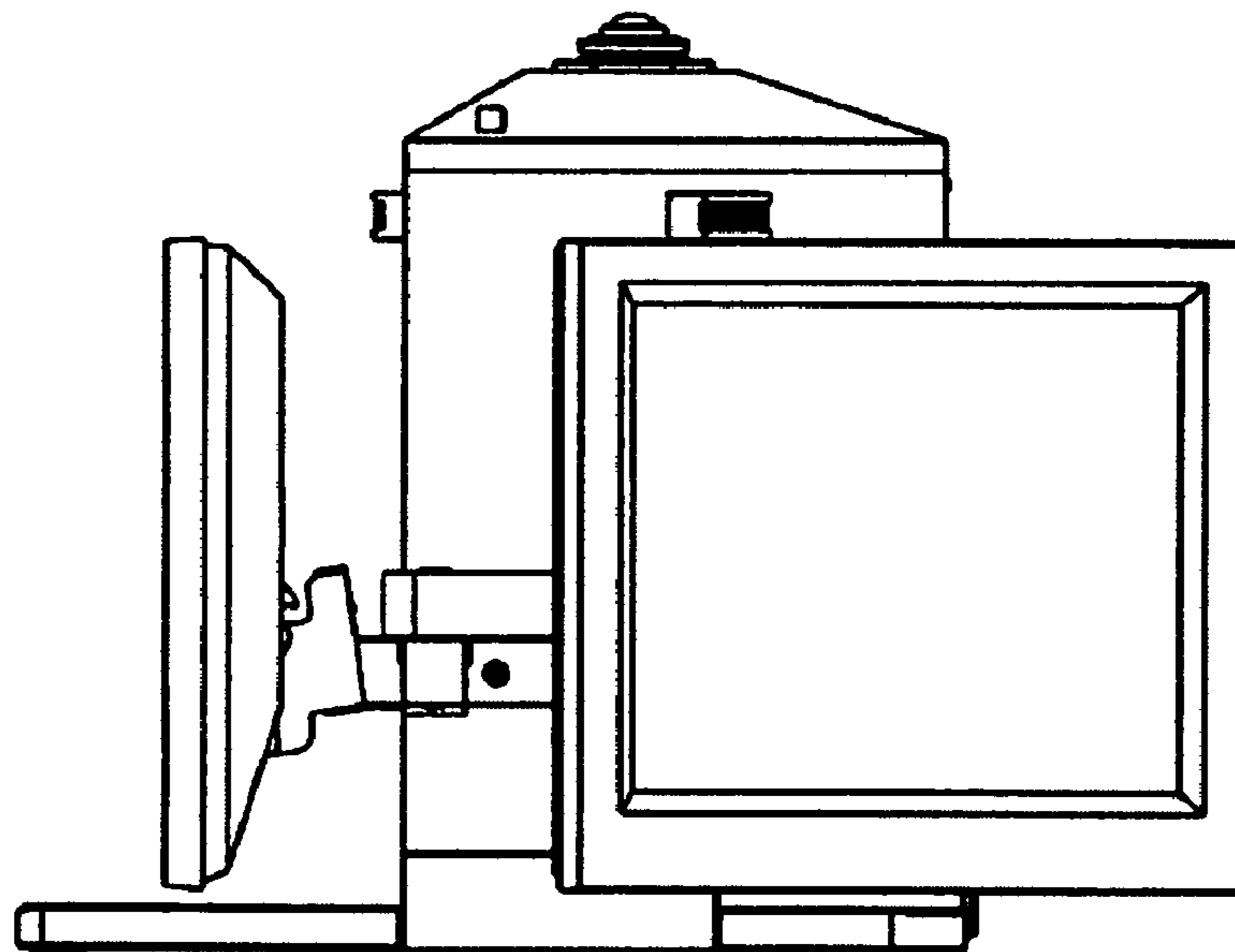


FIG. 5

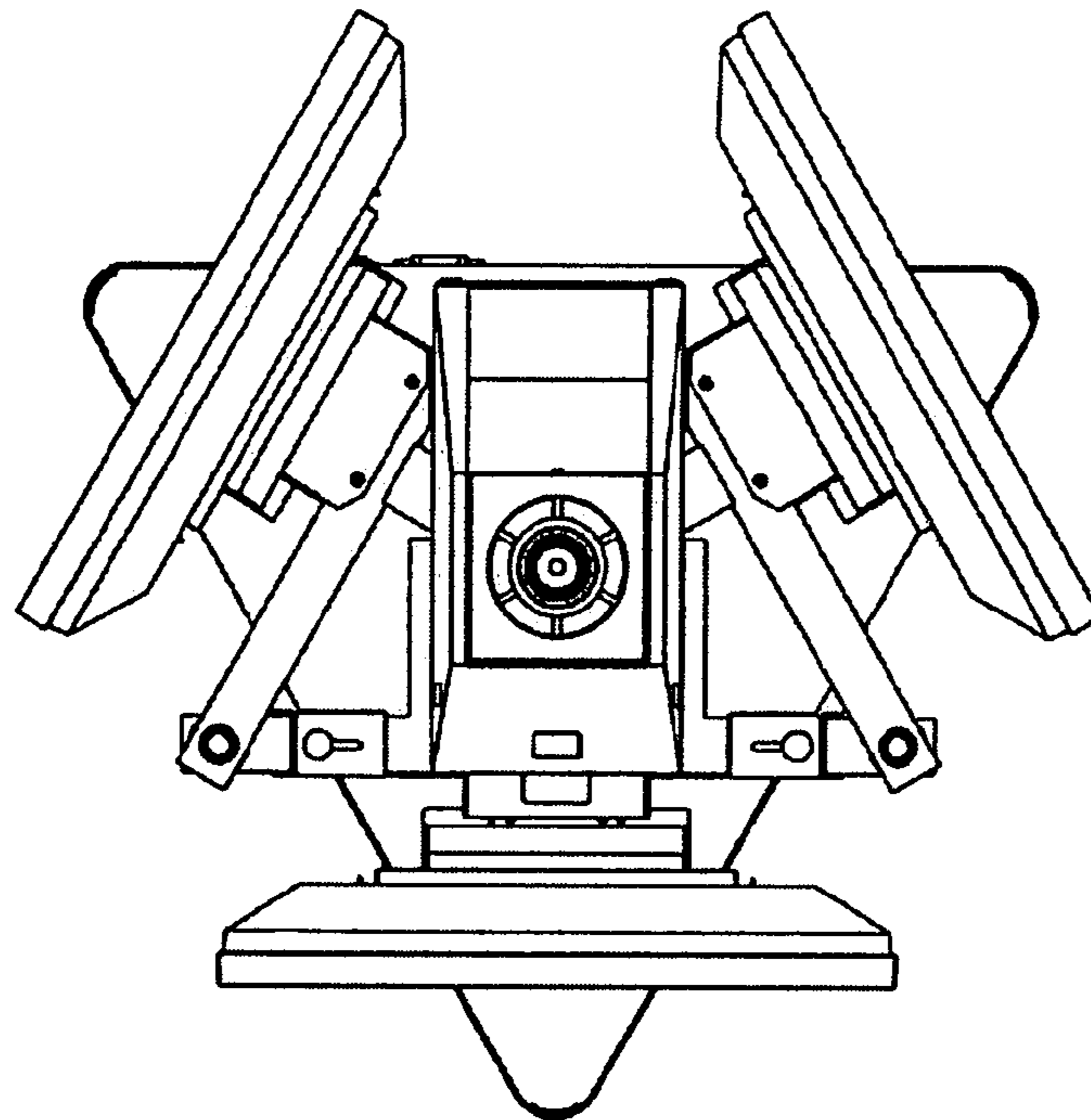


FIG. 6

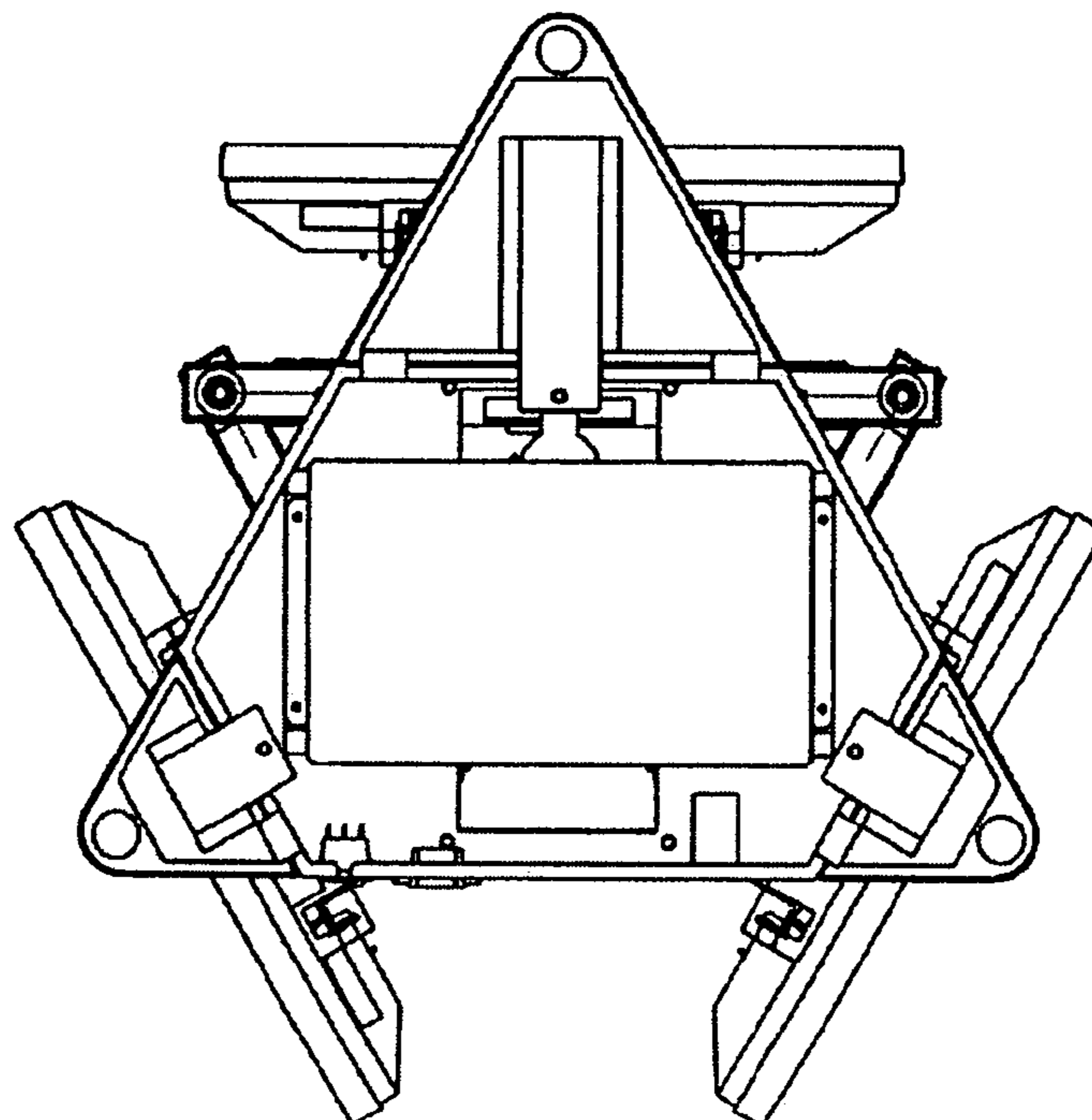




FIG. 7

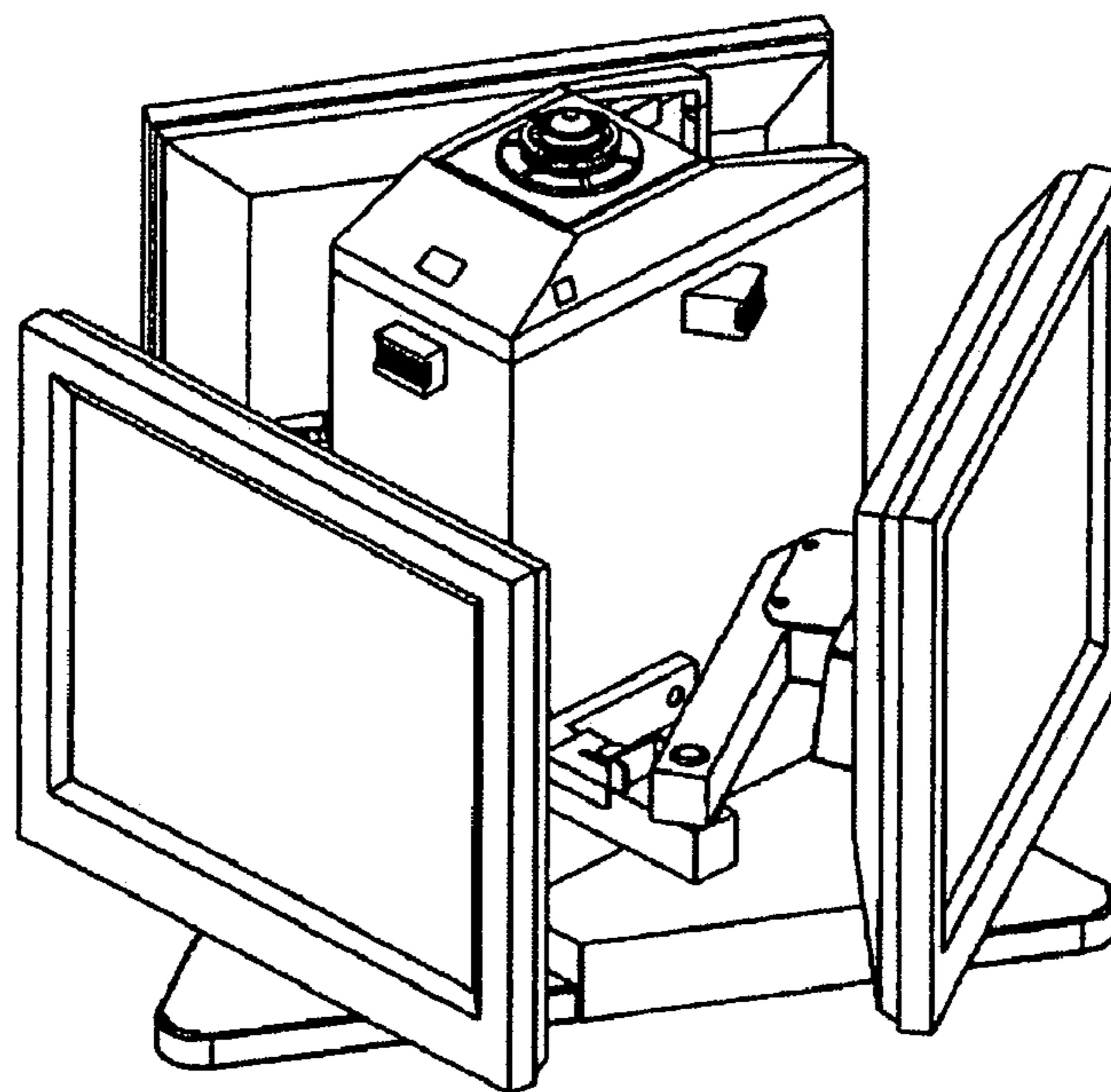


FIG. 8

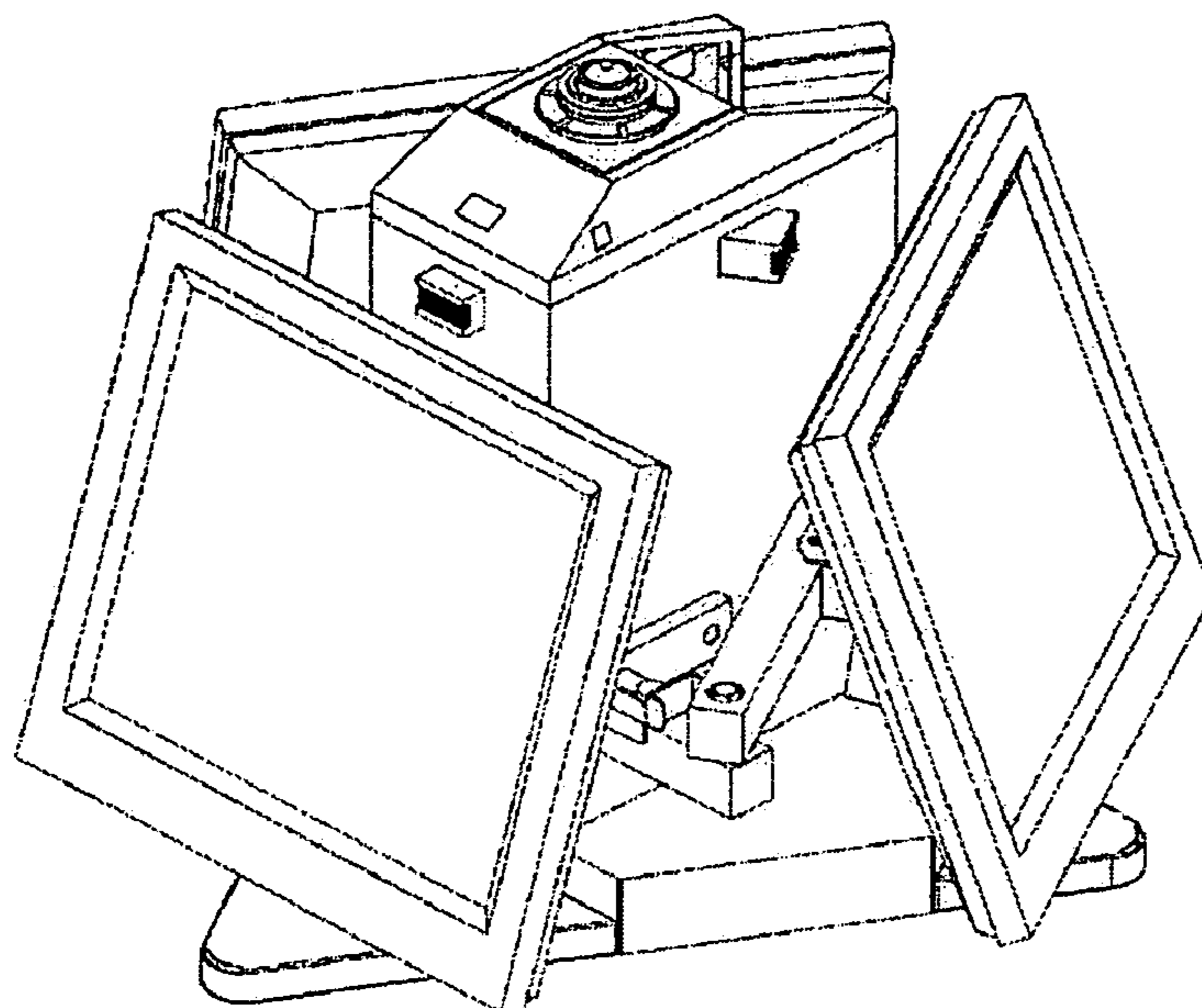


FIG. 9

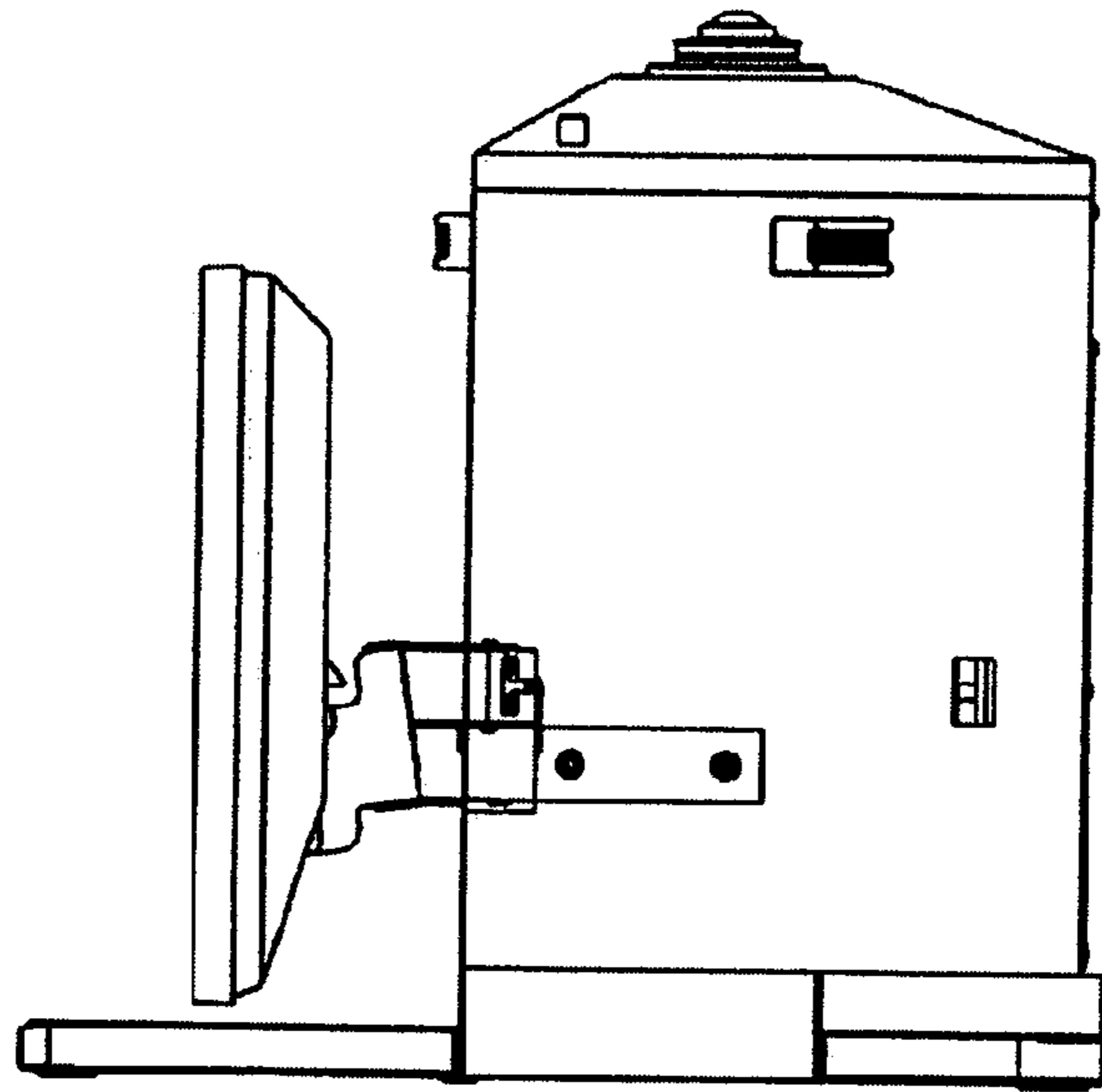


FIG. 10

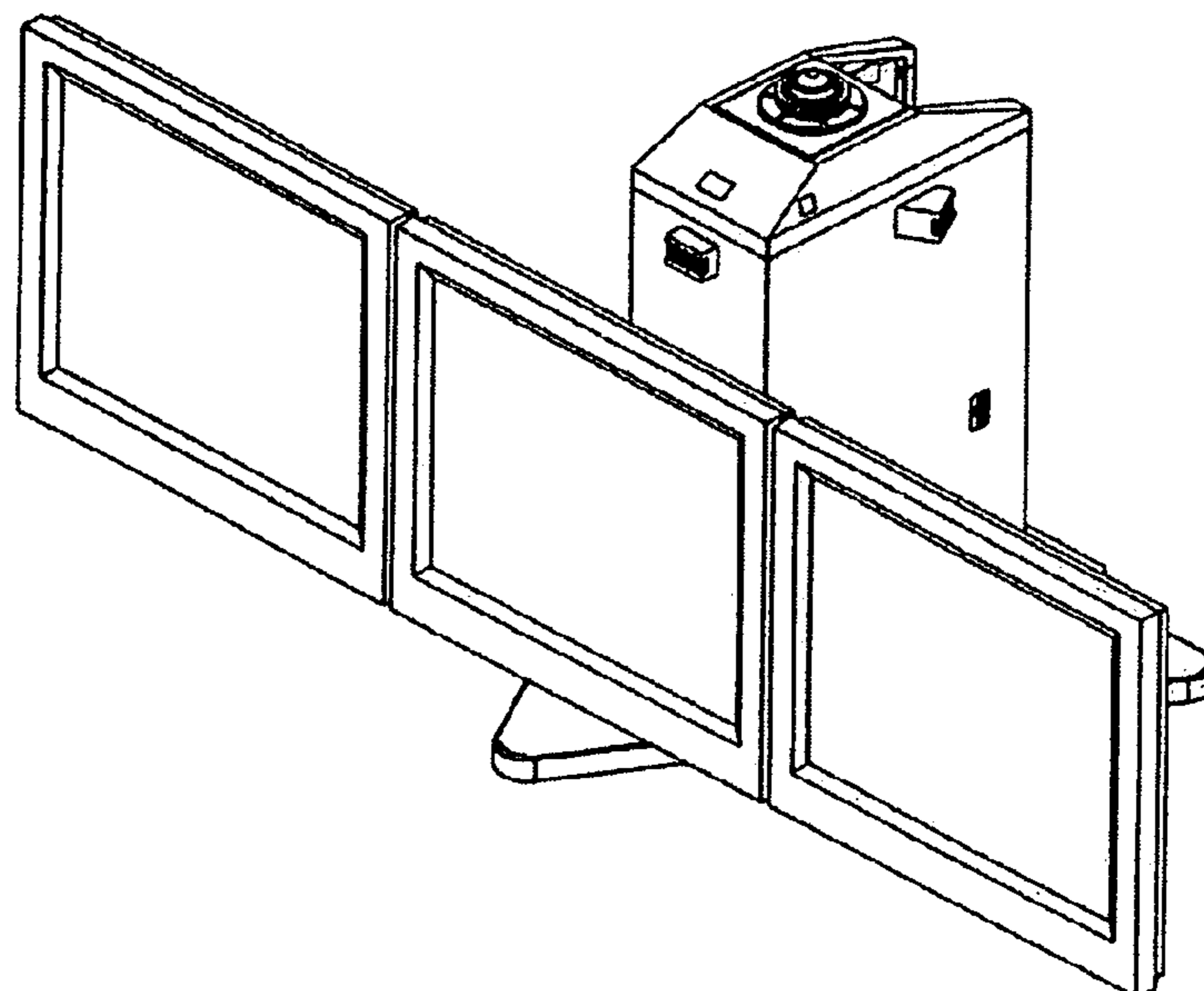


FIG. 11

