



US00D563916S

(12) **United States Design Patent**  
**Shimizu et al.**

(10) **Patent No.:** **US D563,916 S**  
(45) **Date of Patent:** **\*\* Mar. 11, 2008**

(54) **TELEVISION RECEIVER**

(75) Inventors: **Machiko Shimizu**, Mitaka (JP);  
**Shigetaka Kimura**, Kokubunji (JP);  
**Takumi Matsuda**, Musashino (JP);  
**Takashi Yamamoto**, Kodaira (JP);  
**Minoru Ikeda**, Inagi (JP); **Masahiro Yamamoto**, Yokohama (JP)

(73) Assignee: **Hitachi, Ltd.**, Tokyo (JP)

(\*\*) Term: **14 Years**

(21) Appl. No.: **29/277,508**

(22) Filed: **Feb. 28, 2007**

(30) **Foreign Application Priority Data**

Dec. 28, 2006 (JP) ..... 2006-036076

(51) **LOC (8) Cl.** ..... **14-03**

(52) **U.S. Cl.** ..... **D14/126**

(58) **Field of Classification Search** ..... D14/125-134,  
D14/239, 371, 136, 374-377; 312/7.2; 348/836,  
348/838, 180, 184, 325, 739; 341/12; 248/917-924,  
248/465; 345/104, 133, 156, 168, 87, 173;  
720/605, 669, 600, 655; 369/99, 197; 455/344-347  
See application file for complete search history.

(56) **References Cited**

**U.S. PATENT DOCUMENTS**

D494,941 S \* 8/2004 Kim ..... D14/126  
D499,386 S \* 12/2004 Yang ..... D14/126

D503,158 S \* 3/2005 Asanuma et al. .... D14/126  
D531,591 S \* 11/2006 Takatsuki et al. .... D14/126  
D540,277 S \* 4/2007 Kim et al. .... D14/126  
D542,747 S \* 5/2007 Kim et al. .... D14/126  
D543,164 S \* 5/2007 Yang et al. .... D14/126  
D545,778 S \* 7/2007 Isshiki ..... D14/126  
D546,788 S \* 7/2007 Isshiki ..... D14/126

\* cited by examiner

*Primary Examiner*—Raphael Barkai

(74) *Attorney, Agent, or Firm*—Antonelli, Terry, Stout & Kraus, LLP.

(57) **CLAIM**

We claim the ornamental design for television receiver, as shown.

**DESCRIPTION**

FIG. 1 is a front, top and right side perspective view of television receiver showing our new design;

FIG. 2 is a front elevational view thereof;

FIG. 3 is a rear elevational view thereof;

FIG. 4 is a left side elevational view thereof;

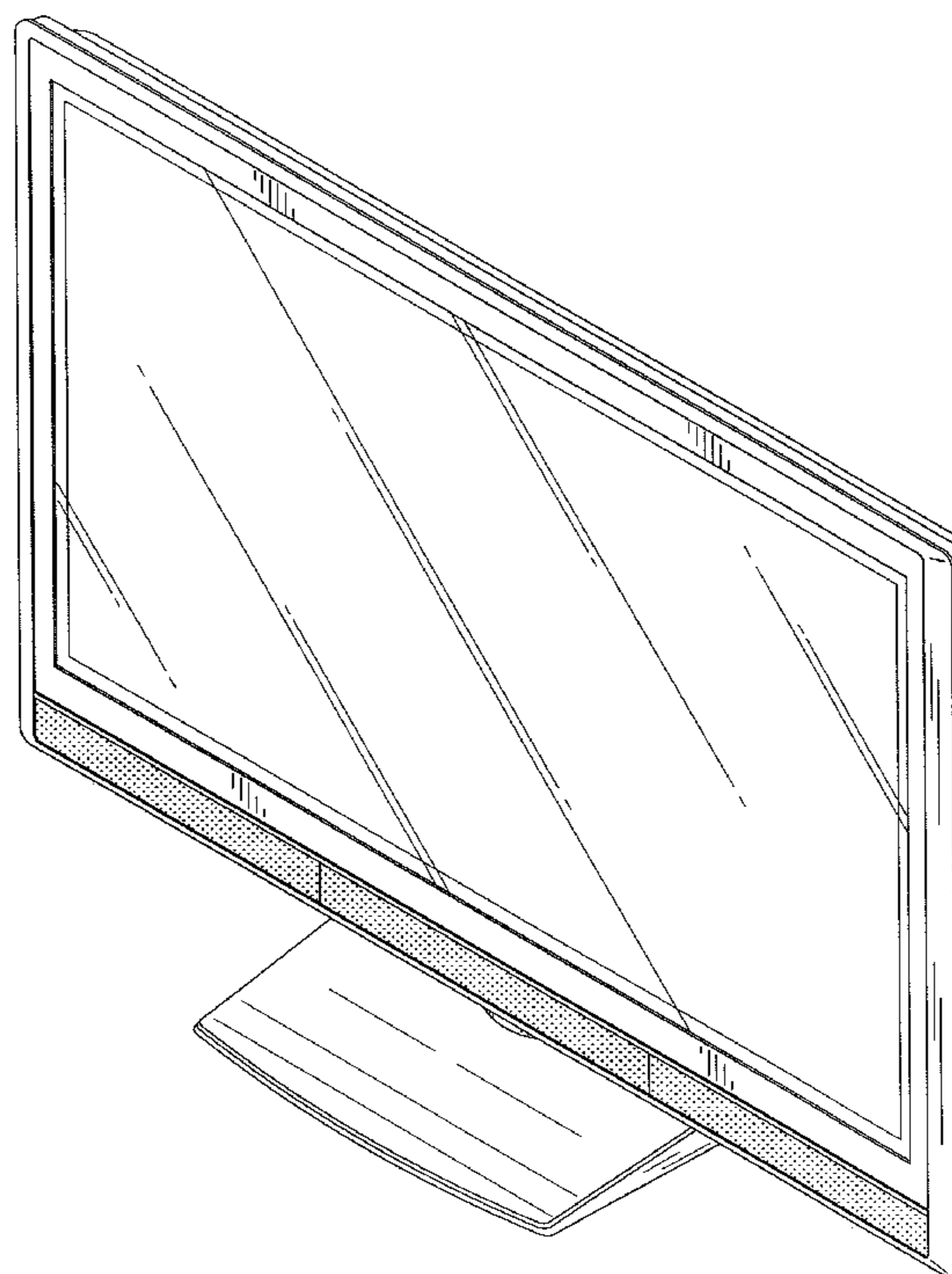
FIG. 5 is a right side elevational view thereof;

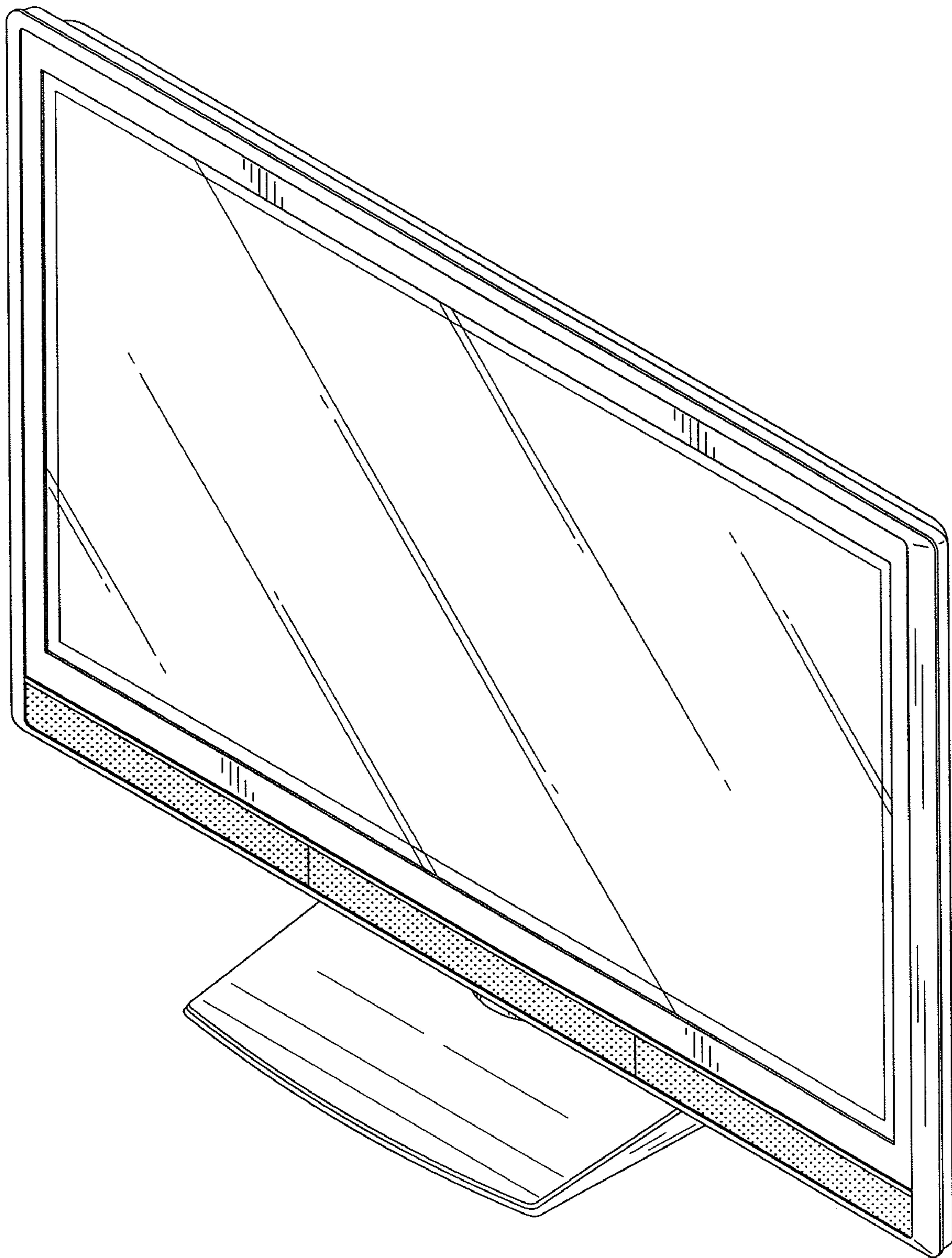
FIG. 6 is a top plan view thereof;

FIG. 7 is a bottom plan view thereof; and,

FIG. 8 is a front elevational view showing the condition with an open cover thereof.

**1 Claim, 6 Drawing Sheets**





*FIG. 1*

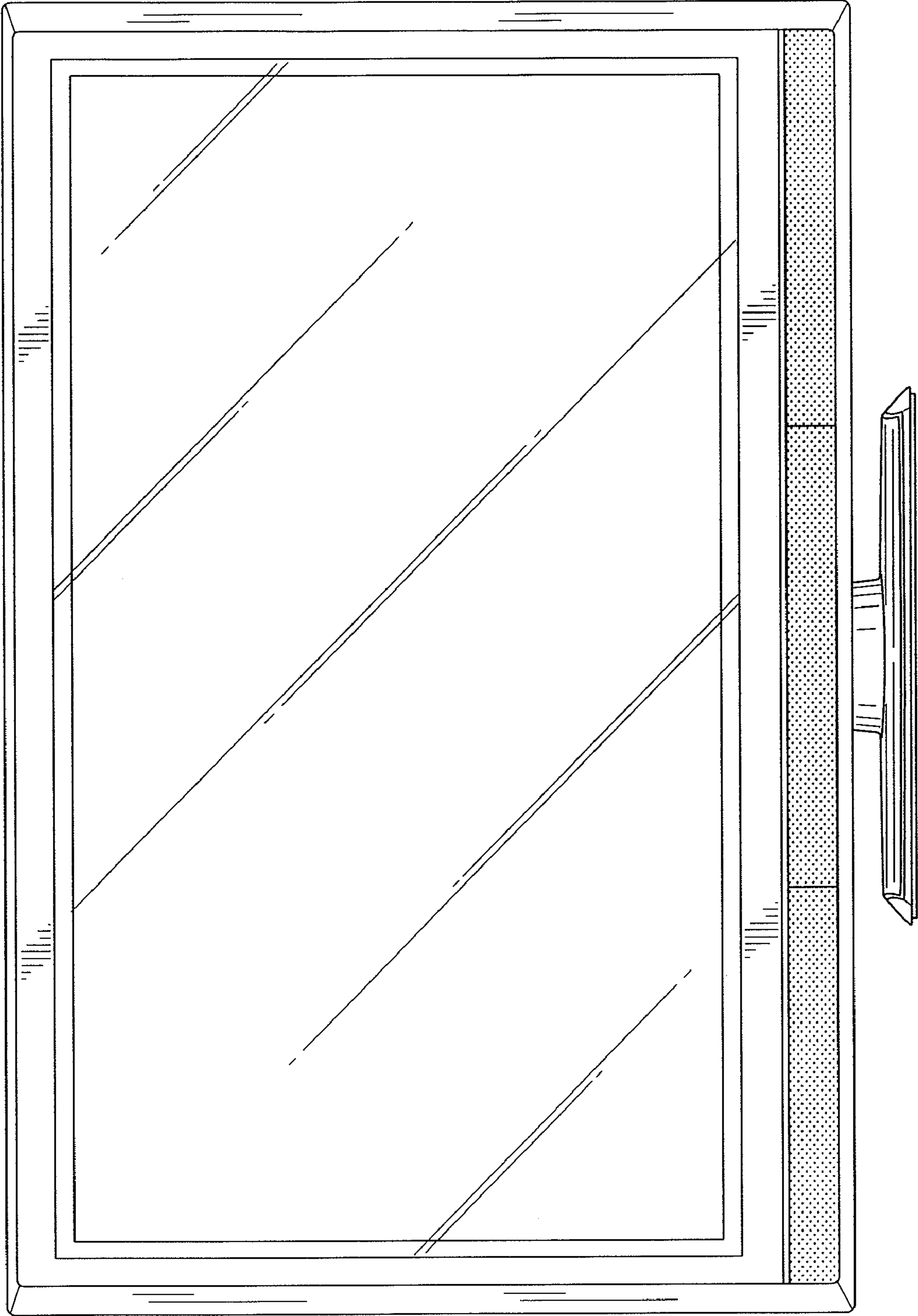


FIG. 2

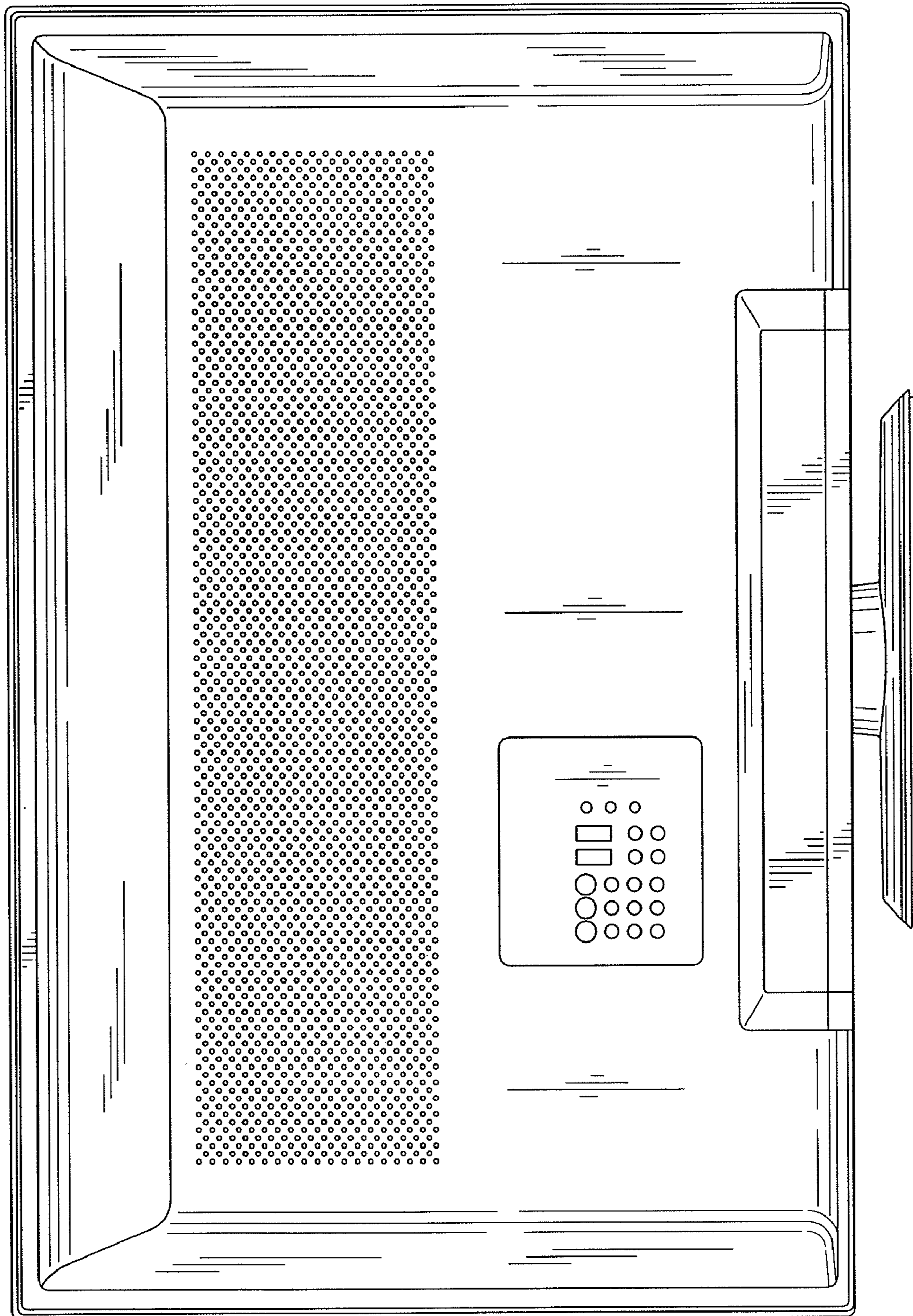
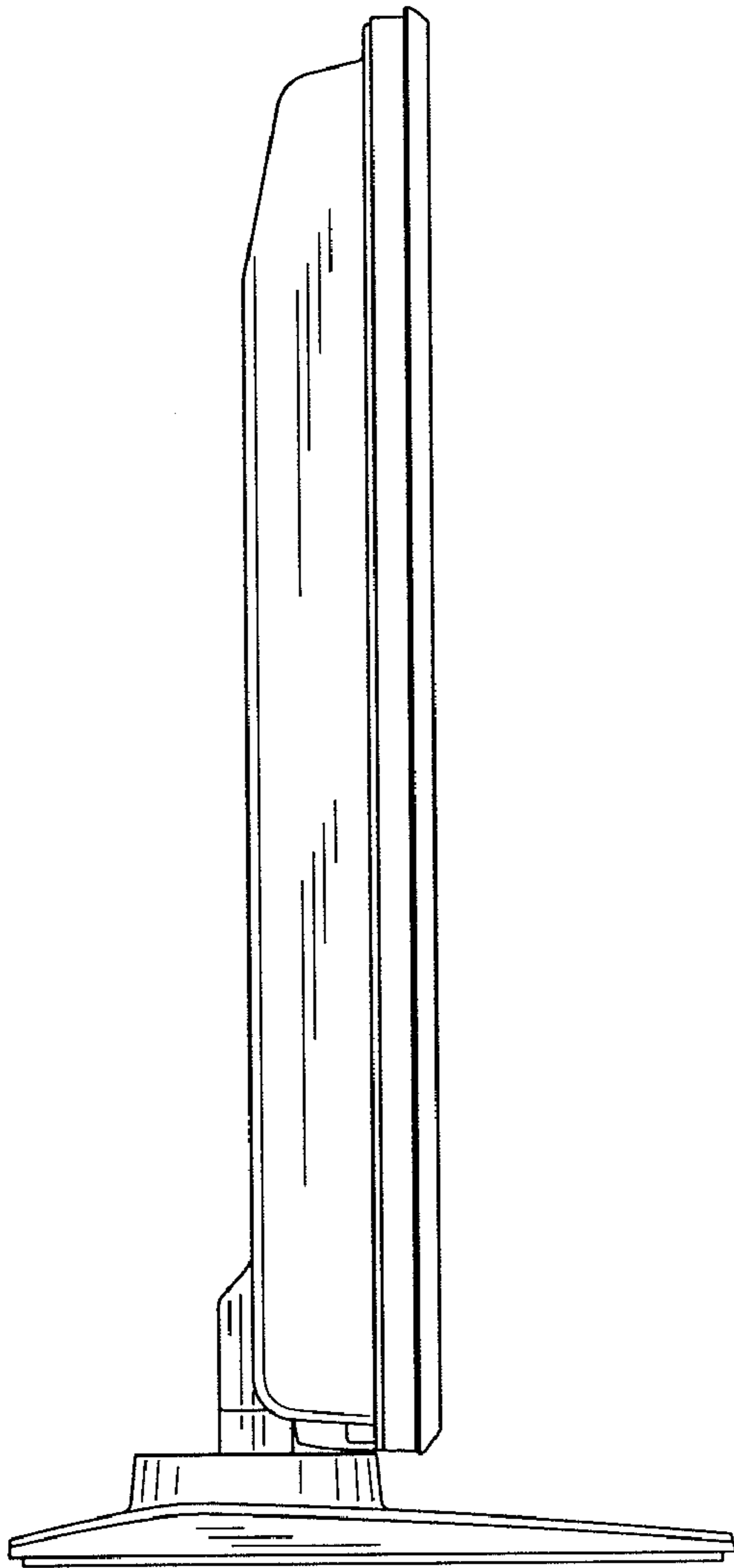
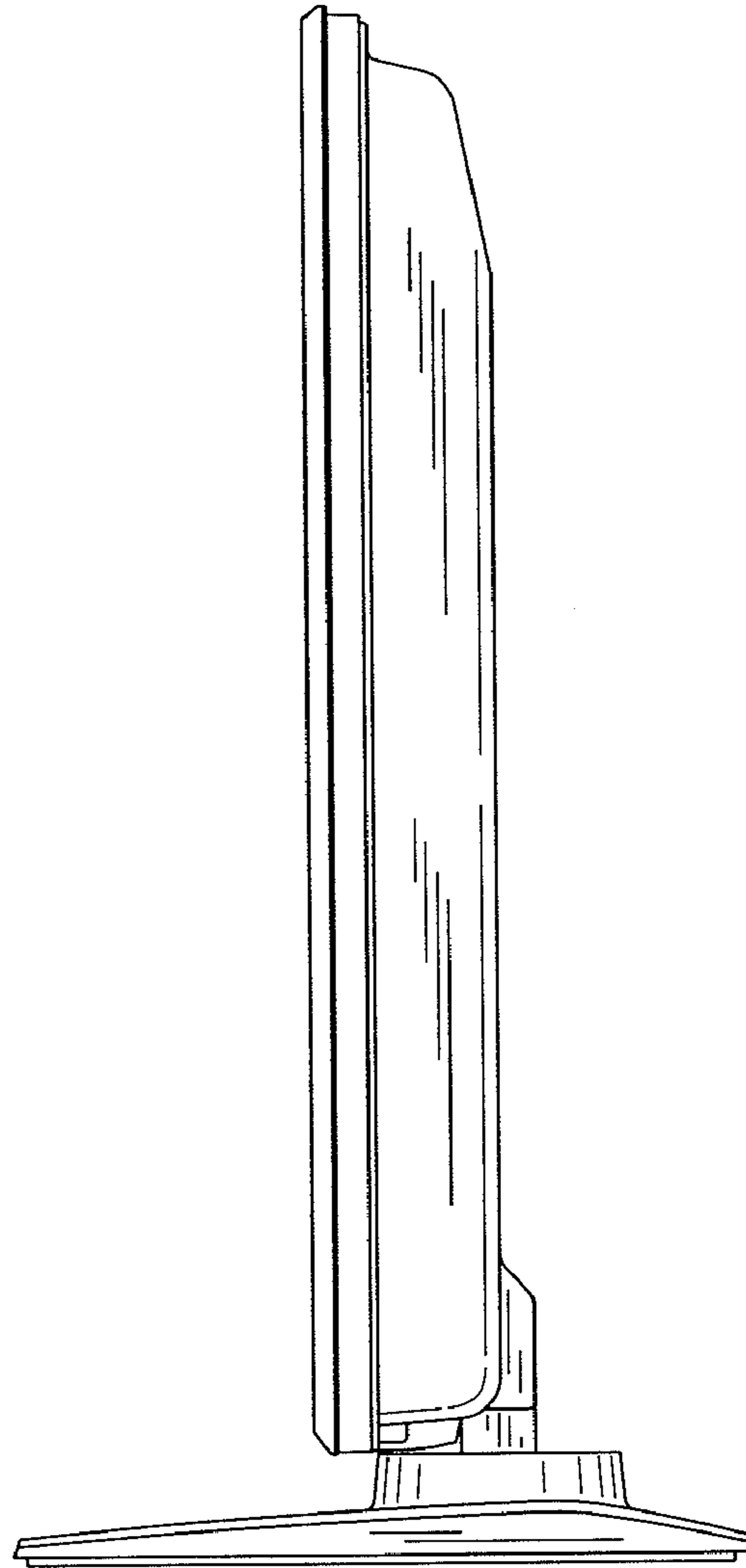


FIG. 3



*FIG. 4*



*FIG. 5*

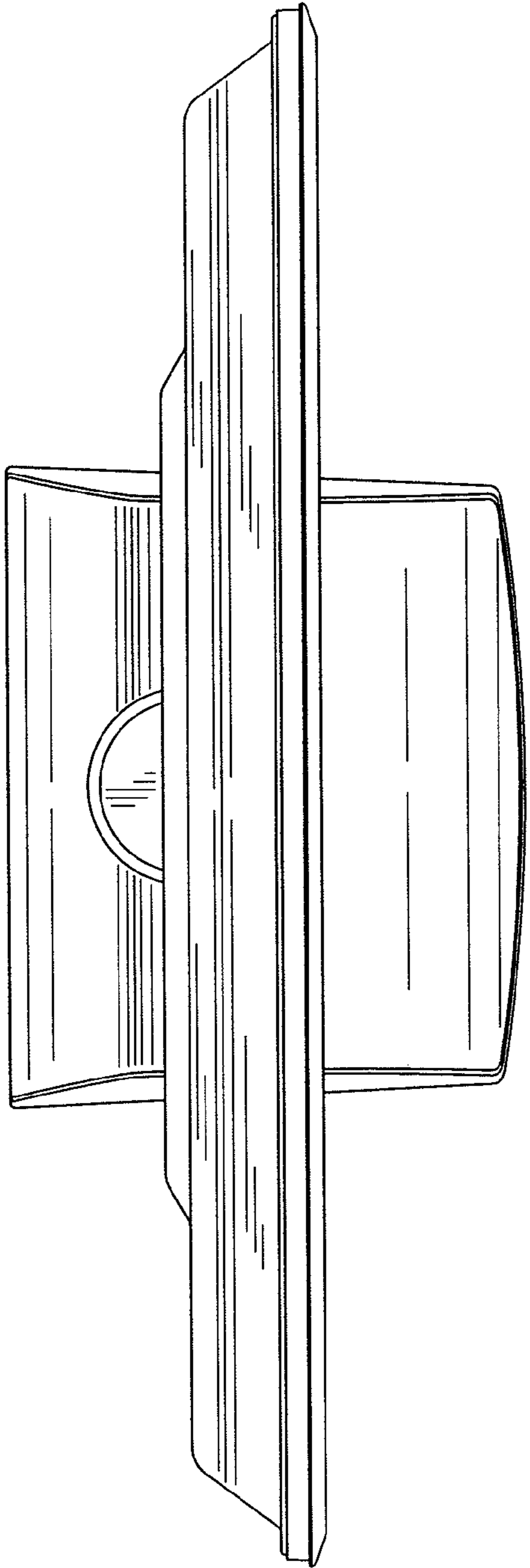


FIG. 6

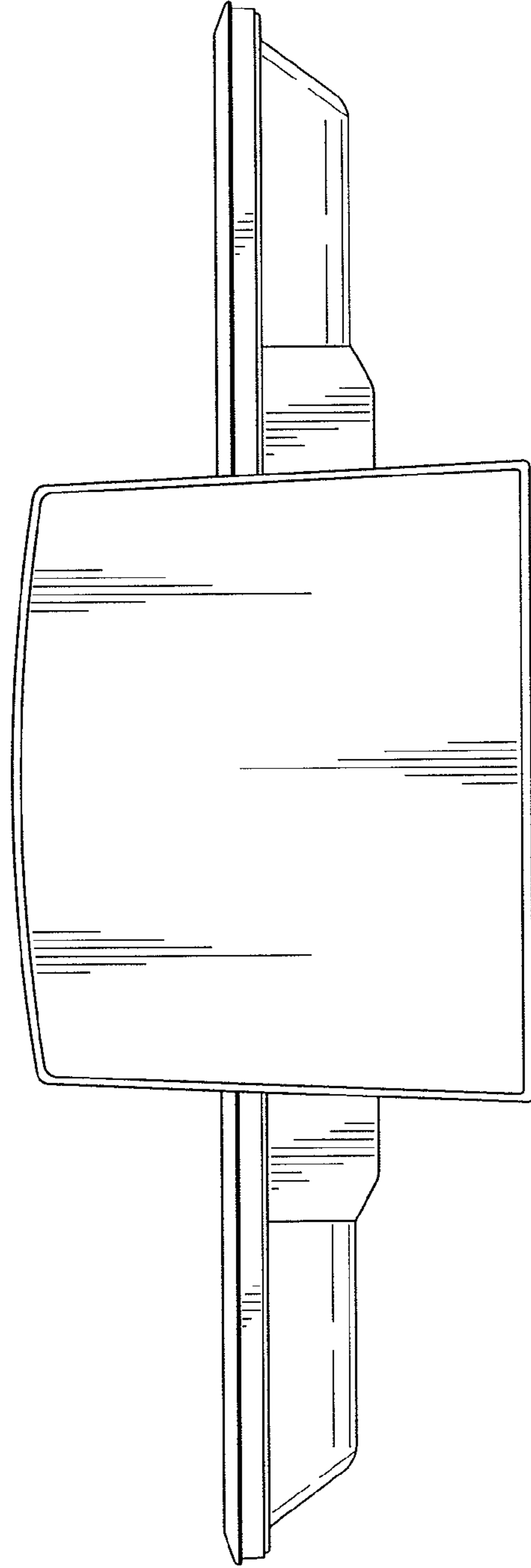


FIG. 7

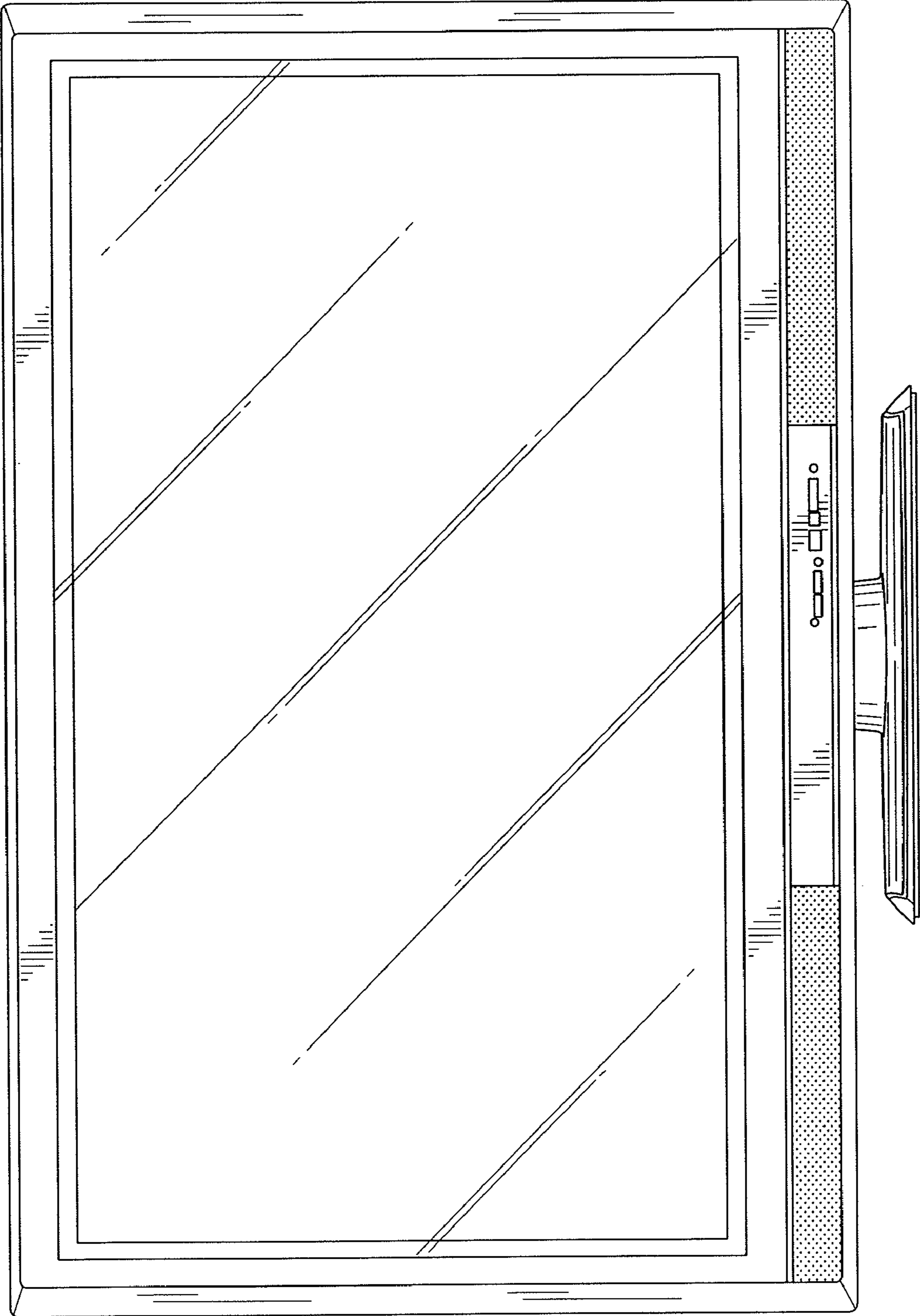


FIG. 8