



US00D563913S

(12) **United States Design Patent**
Sonoda et al.

(10) **Patent No.:** **US D563,913 S**
(45) **Date of Patent:** **** Mar. 11, 2008**

(54) **TELEVISION RECEIVER**

(75) Inventors: **Toshiyuki Sonoda**, Tokyo (JP);
Tatsufumi Funayama, Tokyo (JP)

(73) Assignee: **Pioneer Corporation**, Tokyo (JP)

(**) Term: **14 Years**

(21) Appl. No.: **29/262,096**

(22) Filed: **Jun. 27, 2006**

(30) **Foreign Application Priority Data**

Dec. 27, 2005 (JP) 2005-038391

(51) **LOC (8) Cl.** **14-03**

(52) **U.S. Cl.** **D14/126**

(58) **Field of Classification Search** D14/125-134,
D14/239, 371, 136, 374-377; 312/7.2; 348/836,
348/838, 180, 184, 325, 739; 341/12; 248/917-924,
248/465, 123.11; 345/104, 133, 156, 168,
345/87, 173, 169; 349/1, 2, 11, 62; 720/605,
720/669, 600, 655, 99, 197; 455/344-347;
369/99, 197

See application file for complete search history.

(56) **References Cited**

U.S. PATENT DOCUMENTS

D438,848 S * 3/2001 Kita D14/126
6,215,477 B1 * 4/2001 Morrison et al. 345/173
D496,361 S * 9/2004 Hotta D14/374
D534,883 S * 1/2007 Kang et al. D14/128
D540,277 S * 4/2007 Kim et al. D14/126

D548,205 S * 8/2007 Kim et al. D14/126
D551,186 S * 9/2007 Yang et al. D14/126
D553,108 S * 10/2007 Won et al. D14/128

OTHER PUBLICATIONS

U.S. Appl. No. 29/262,114, Pioneer Corporation, filed Jun. 27, 2006.

* cited by examiner

Primary Examiner—Raphael Barkai

Assistant Examiner—Randall H Gholson

(74) *Attorney, Agent, or Firm*—Sughrue Mion, PLLC

(57) **CLAIM**

The ornamental design for a television receiver, as shown.

DESCRIPTION

FIG. 1 is a front elevational view of a television receiver showing our new design;

FIG. 2 is a rear elevational view thereof;

FIG. 3 is a left side elevational view thereof;

FIG. 4 is a right side elevational view thereof;

FIG. 5 is a top plan view thereof;

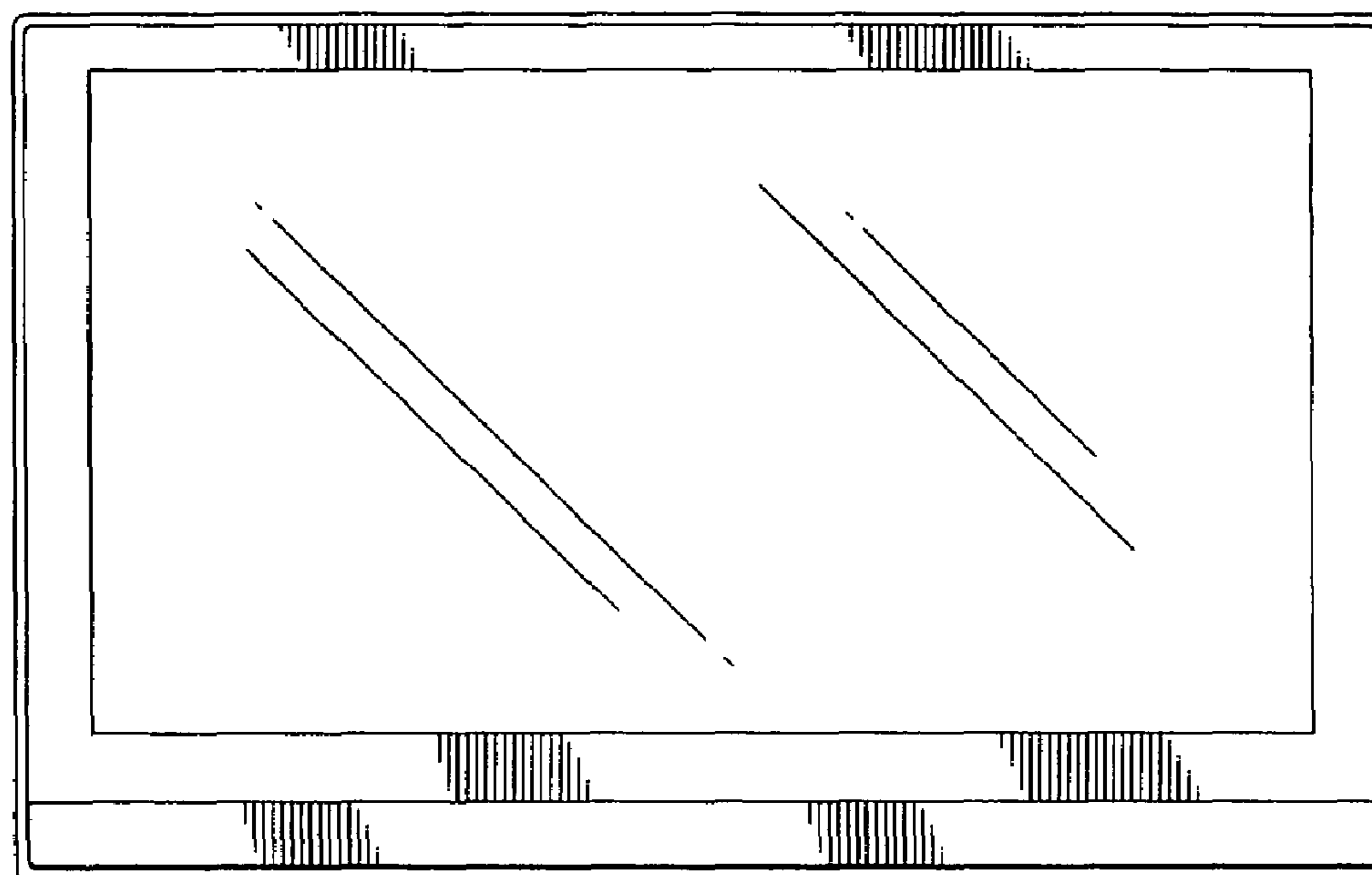
FIG. 6 is a bottom plan view thereof;

FIG. 7 is a perspective view of the top, front, and right side thereof;

FIG. 8 is an enlarged view at A-A' shown in FIG. 4; and,

FIG. 9 is an enlarged view at B-B' shown in FIG. 7.

1 Claim, 5 Drawing Sheets



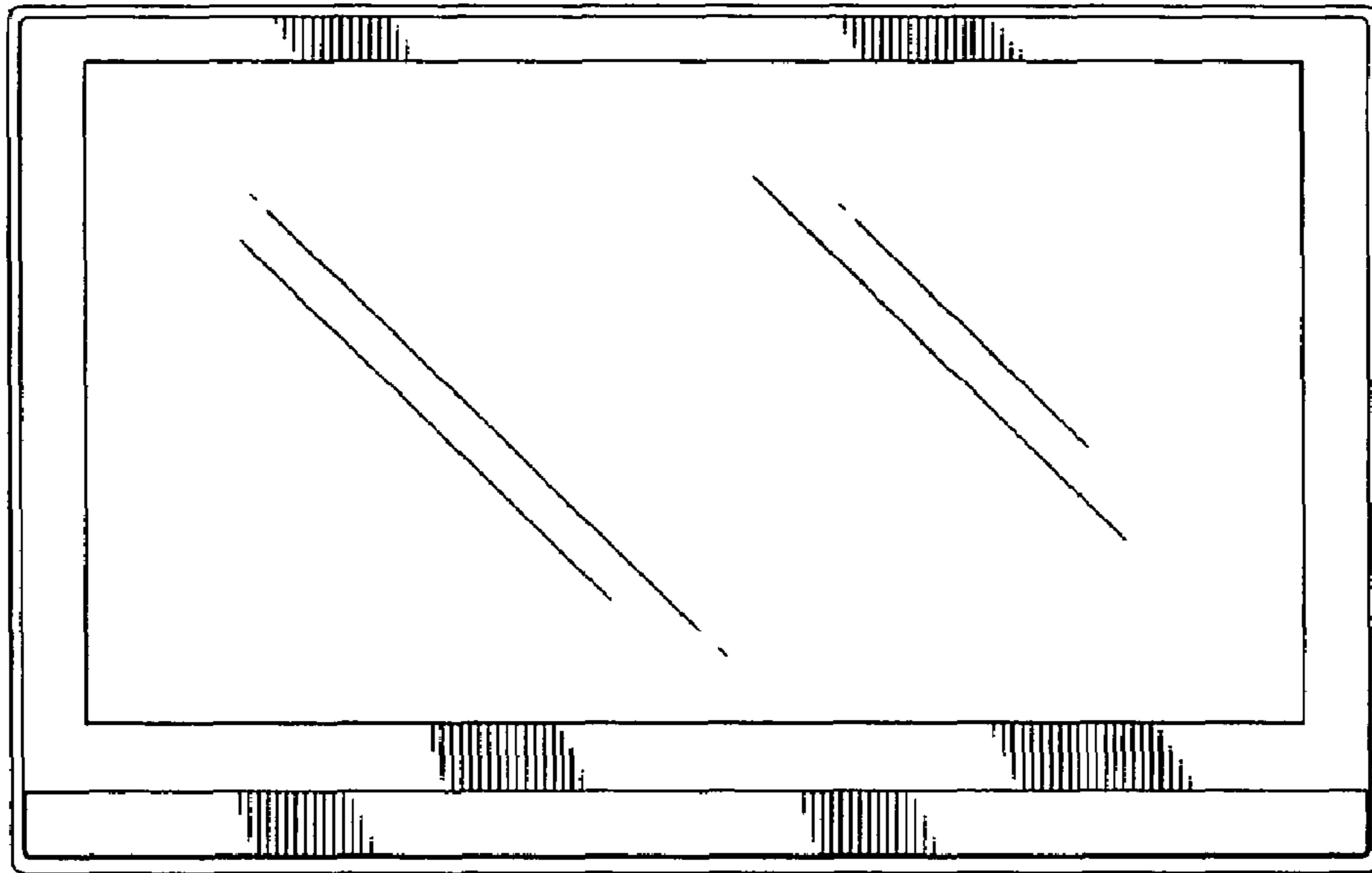


FIG. 1

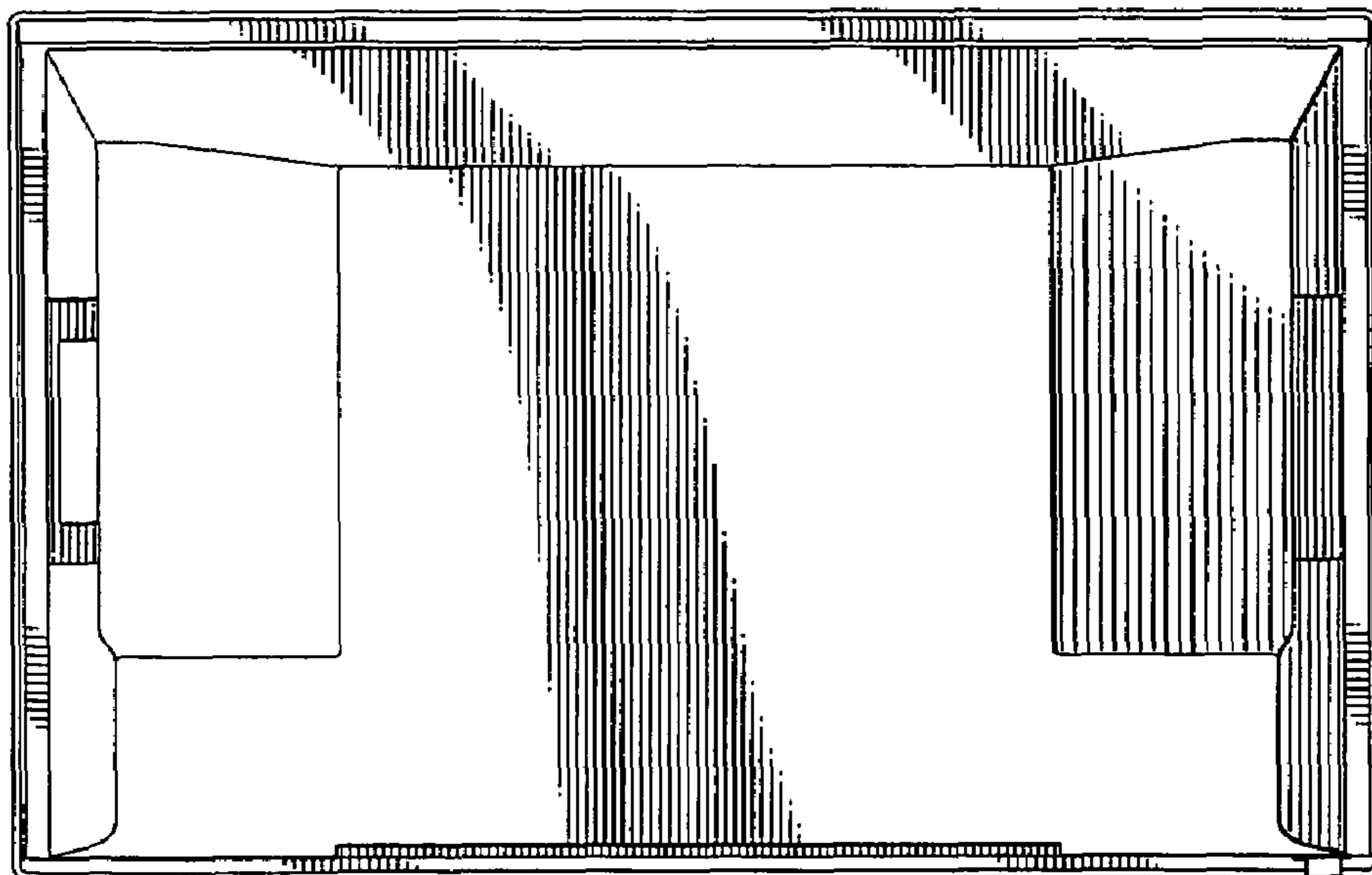


FIG. 2

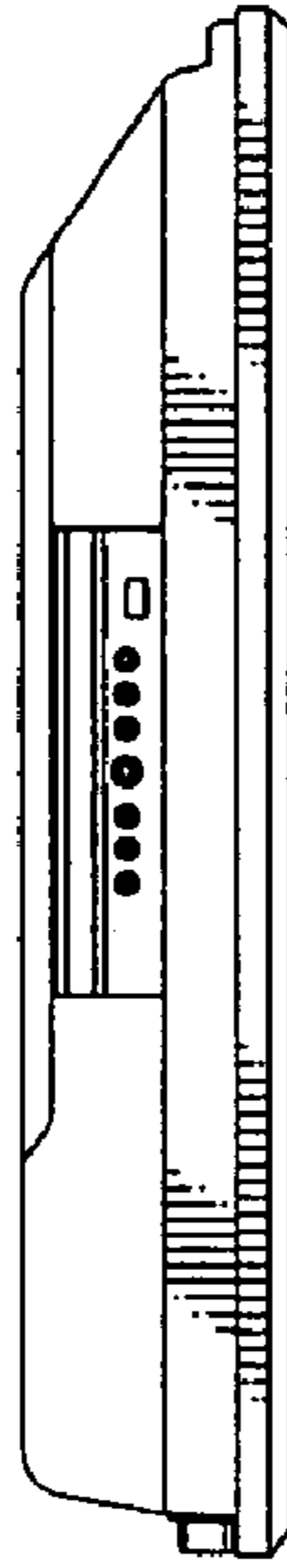


FIG. 3

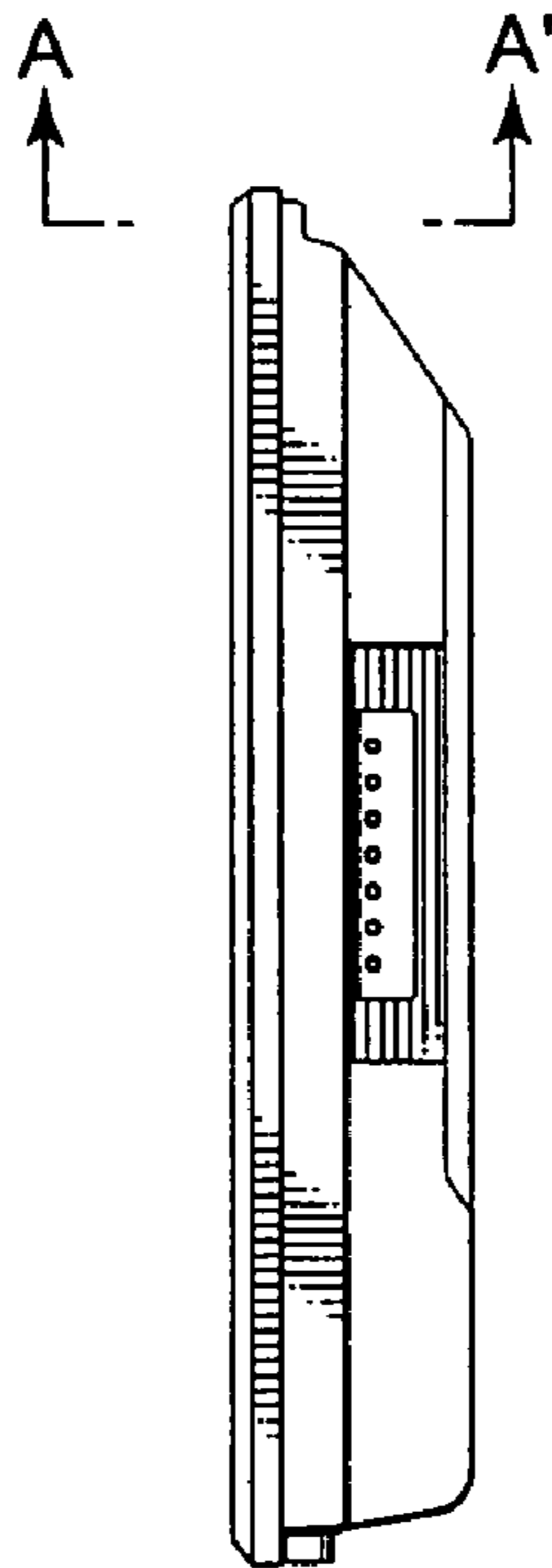


FIG. 4

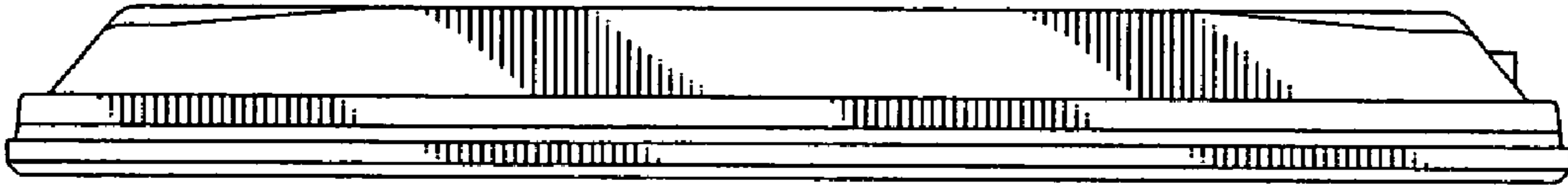


FIG. 5



FIG. 6

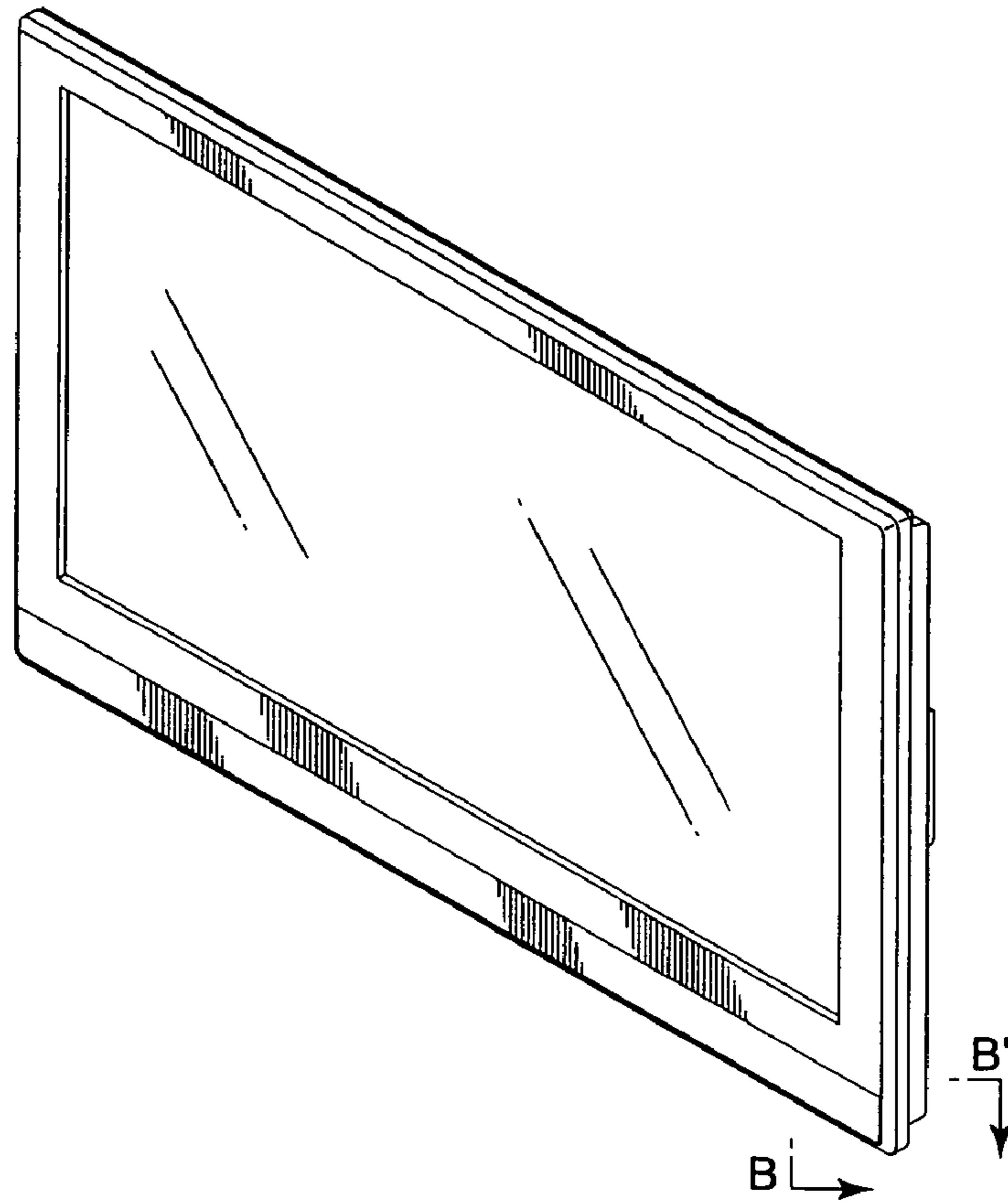


FIG. 7

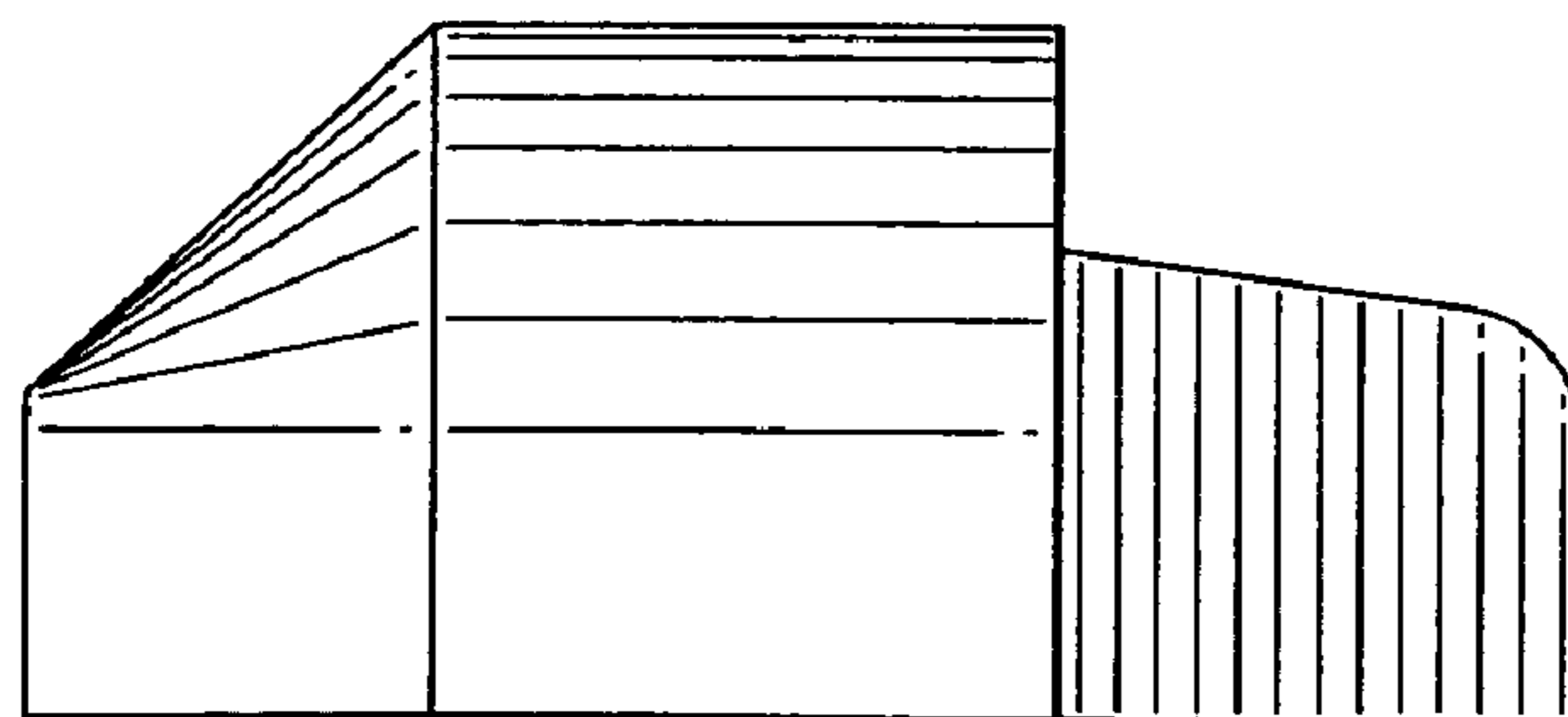


FIG. 8

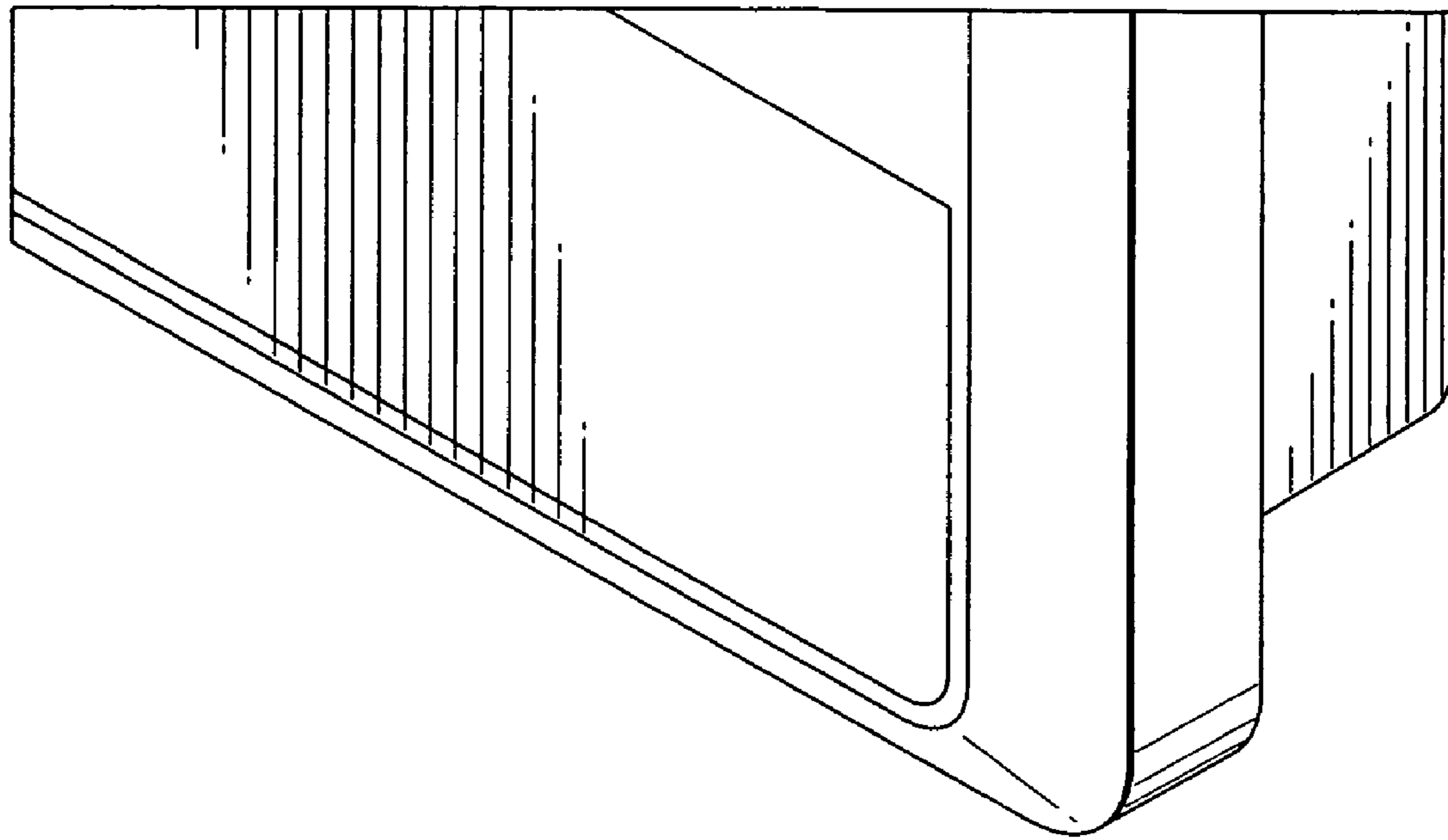


FIG. 9