

US00D563904S

(12) **United States Design Patent**
Patel et al.

(10) **Patent No.:** **US D563,904 S**
(45) **Date of Patent:** **** Mar. 11, 2008**

(54) **ROCKER BUTTON CONTROLLER**

(75) Inventors: **Parimal Patel**, Holbrook, NY (US);
Edward Uftring, Syssoet, NY (US);
Danilo F. Estanislao, Old Bridge, NJ (US)

(73) Assignee: **Leviton Manufacturing Company, Inc.**, Little Neck, NY (US)

(**) Term: **14 Years**

(21) Appl. No.: **29/278,505**

(22) Filed: **Mar. 30, 2007**

(51) **LOC (8) Cl.** **13-03**

(52) **U.S. Cl.** **D13/164**

(58) **Field of Classification Search** D13/110,
D13/123, 147, 151, 158-177, 184; 174/53,
174/66; 200/5 R, 295, 308, 310, 313, 314,
200/329, 340, 1 R, 6 R, 5 A, 296, 302.3,
200/315, 330, 334, 339, 341, 520, 525, 553;
439/491, 535; D8/350, 353; 296/70; 180/315,
180/326

See application file for complete search history.

(56) **References Cited**

U.S. PATENT DOCUMENTS

D183,395 S * 8/1958 Koch D8/350
3,706,869 A * 12/1972 Sorenson 200/295
D323,613 S * 2/1992 Cummins et al. D8/353

D331,741 S * 12/1992 Fujiyoshi D13/169
D394,042 S * 5/1998 Hwang D13/171
D416,871 S * 11/1999 Todd D13/169
D447,123 S * 8/2001 Winkler D13/158
D508,680 S * 8/2005 Savicki et al. D13/169
D518,793 S * 4/2006 Hedderich et al. D13/162
D518,795 S * 4/2006 Sorenson D13/174
2002/0139655 A1 * 10/2002 Balabon et al. 200/525

* cited by examiner

Primary Examiner—Selina Sikder

Assistant Examiner—Thomas J Johannes

(74) *Attorney, Agent, or Firm*—Collard & Roe, P.C.

(57) **CLAIM**

The ornamental design for a rocker button controller, as shown and described.

DESCRIPTION

FIG. 1 shows a perspective view of our design for a rocker button controller;

FIG. 2 shows a front view thereof;

FIG. 3 shows a back view thereof;

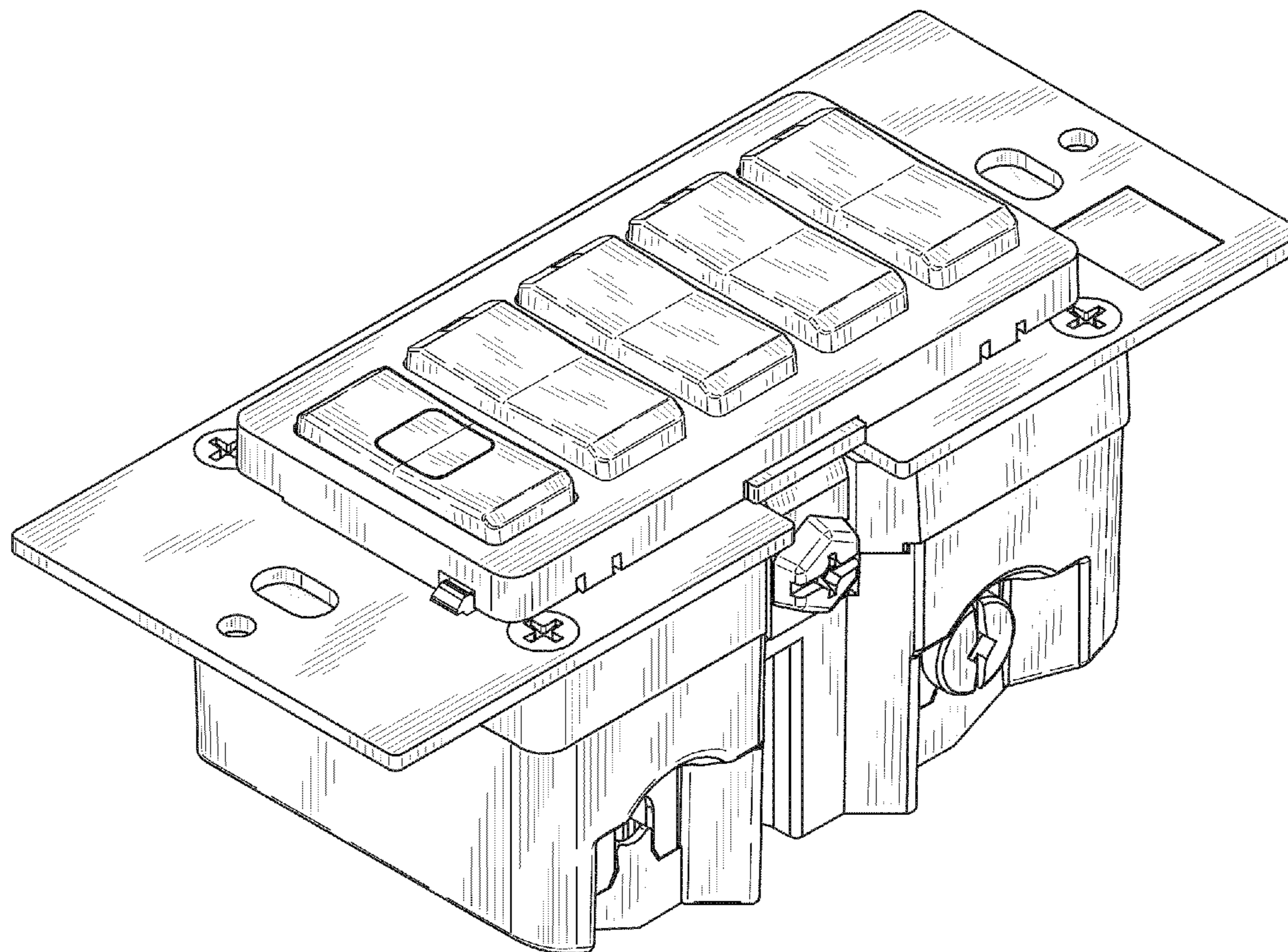
FIG. 4 shows a right side view thereof according to FIG. 2;

FIG. 5 shows a left side view thereof according to FIG. 2;

FIG. 6 shows a top view thereof; and,

FIG. 7 shows a bottom view thereof.

1 Claim, 4 Drawing Sheets



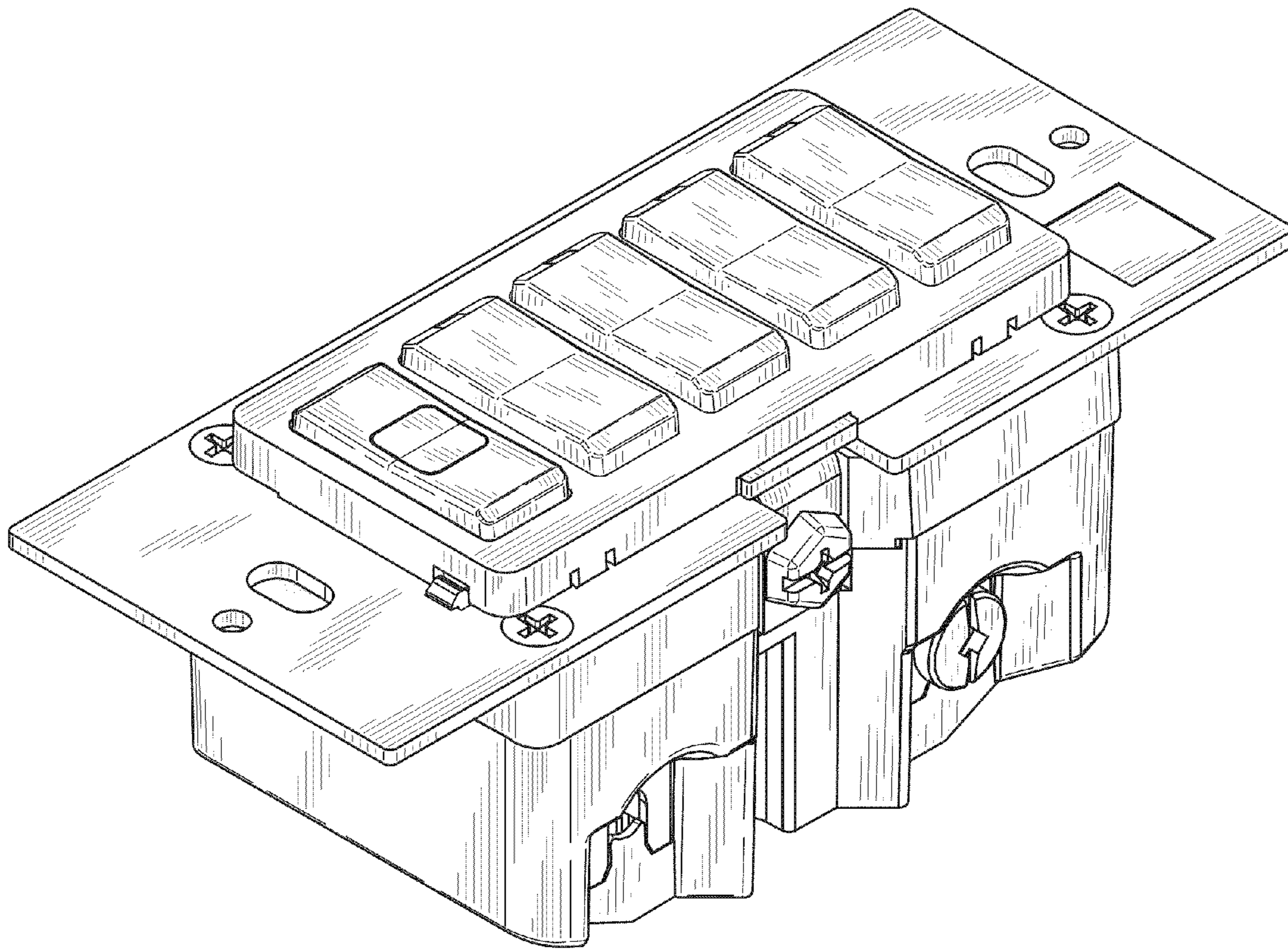


FIG. 1

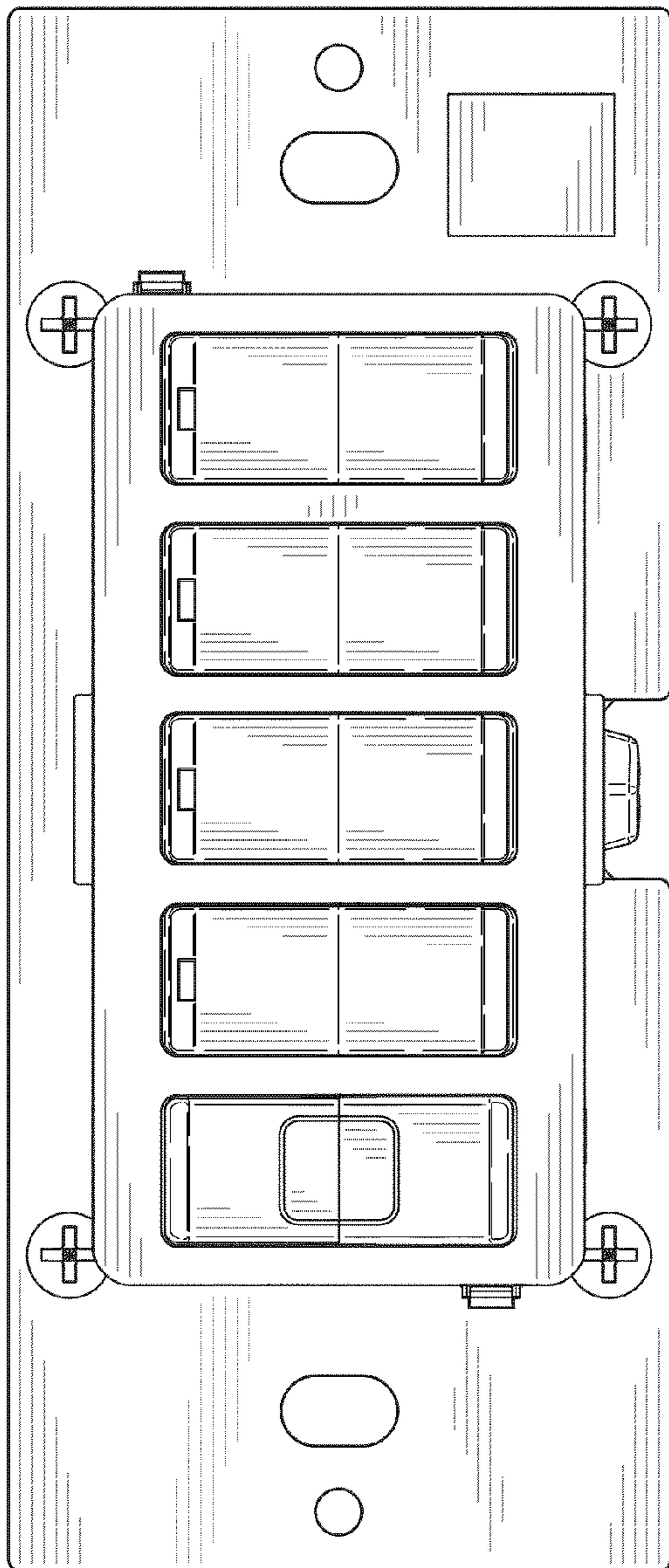


FIG. 2

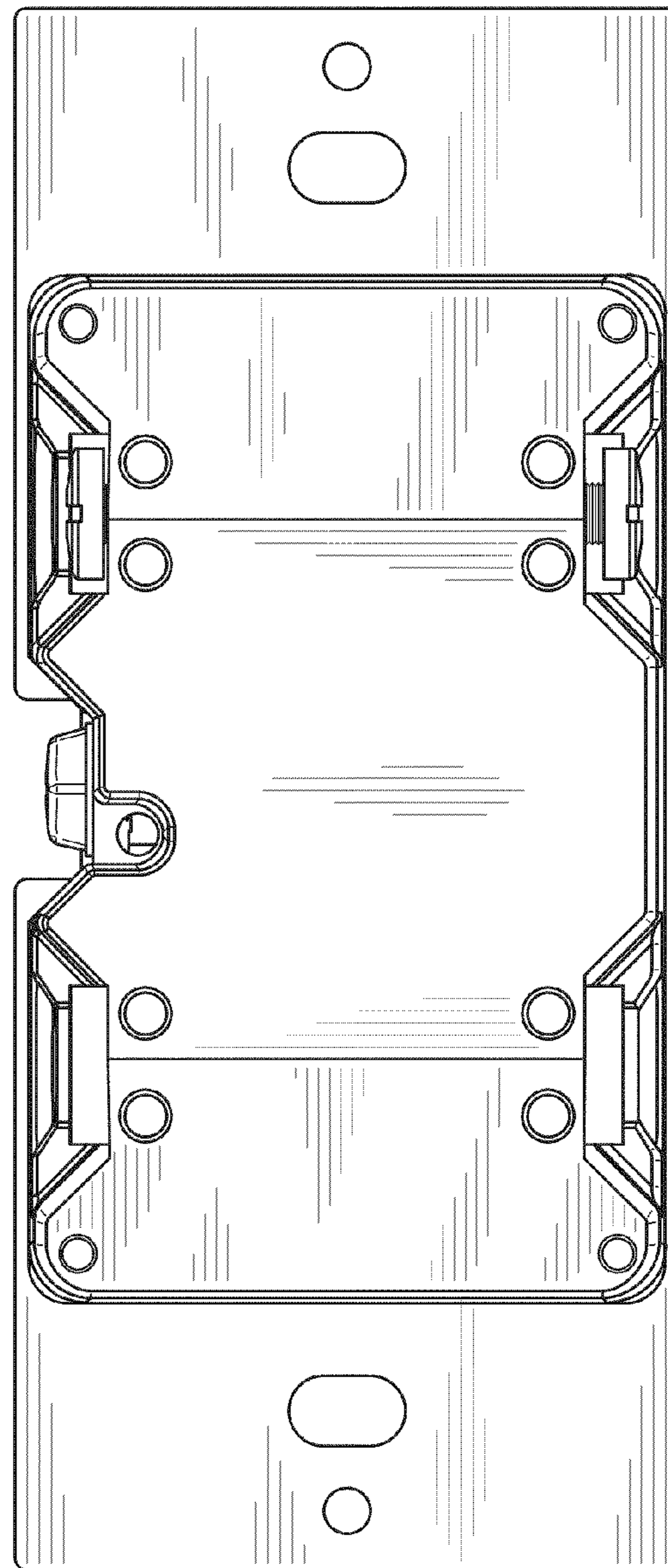


FIG. 3

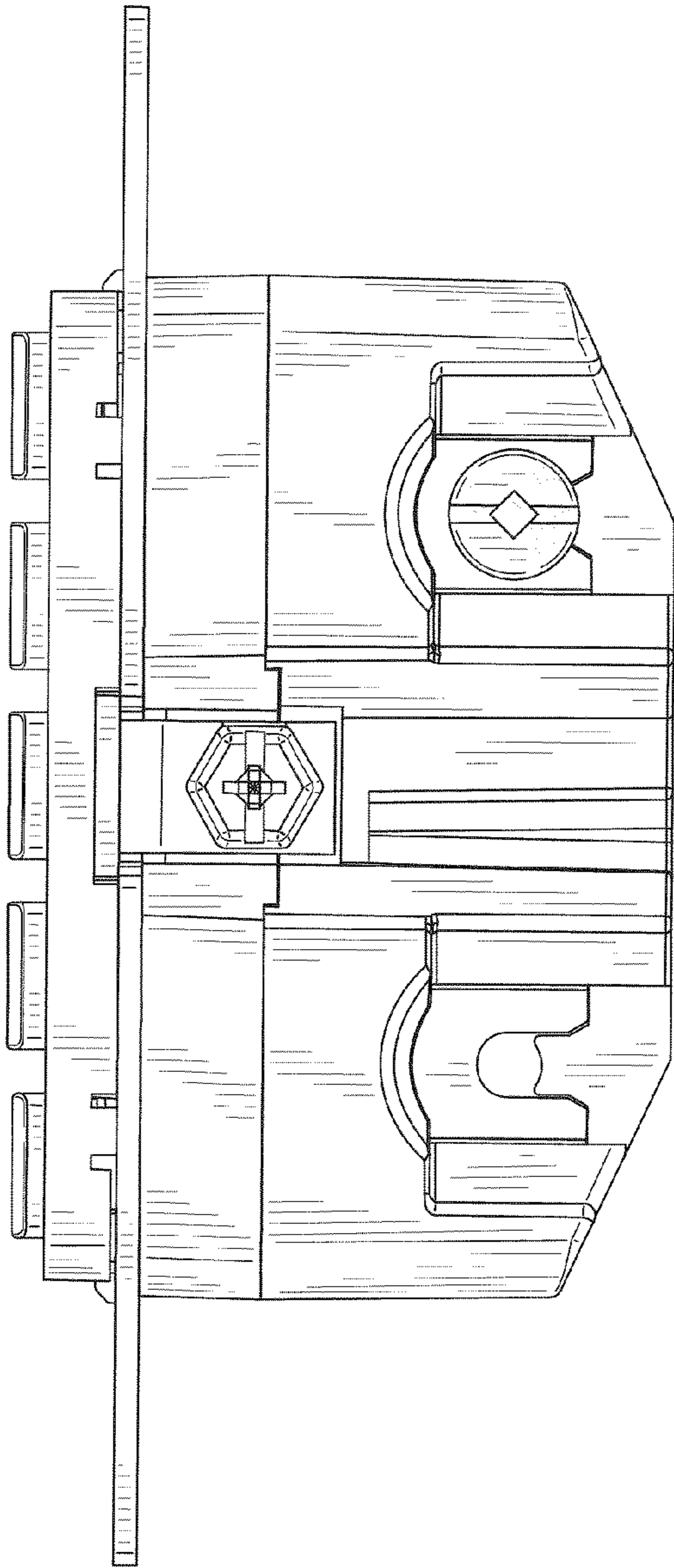


FIG. 4

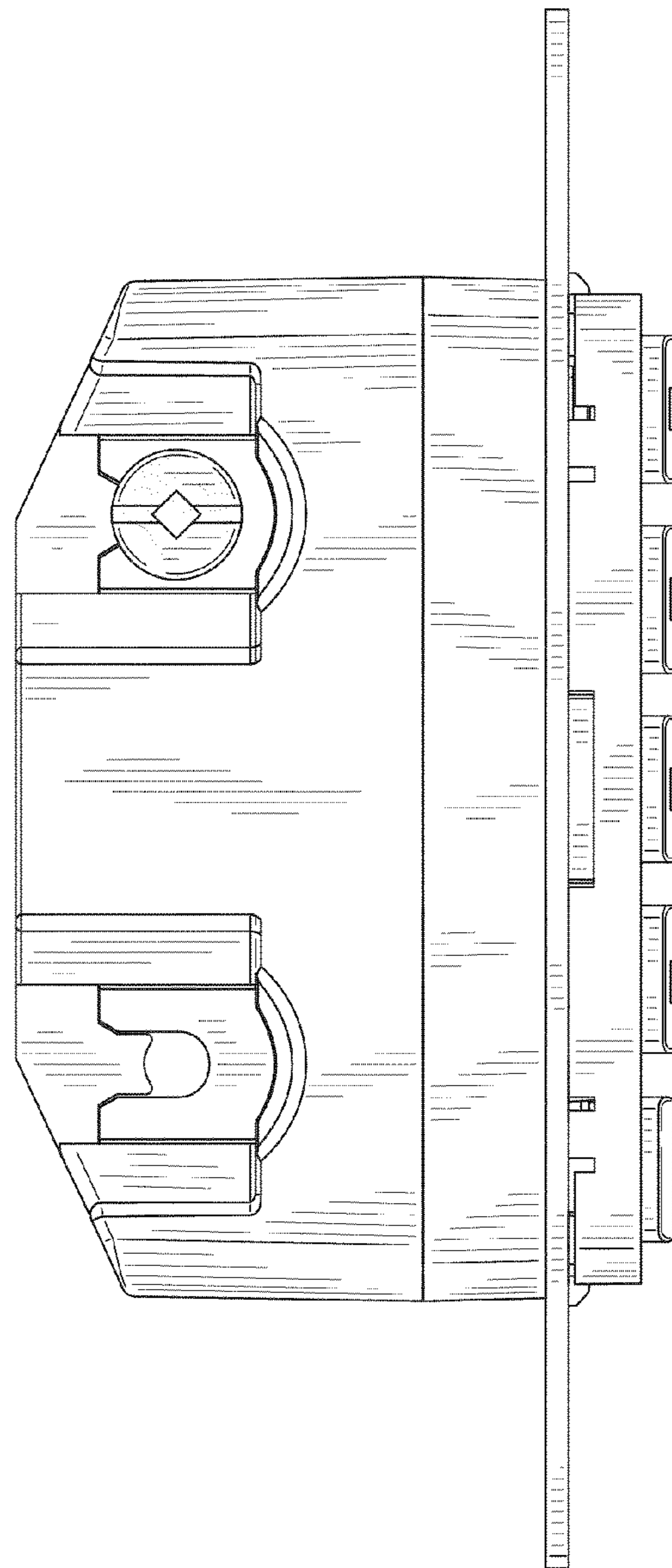


FIG. 5

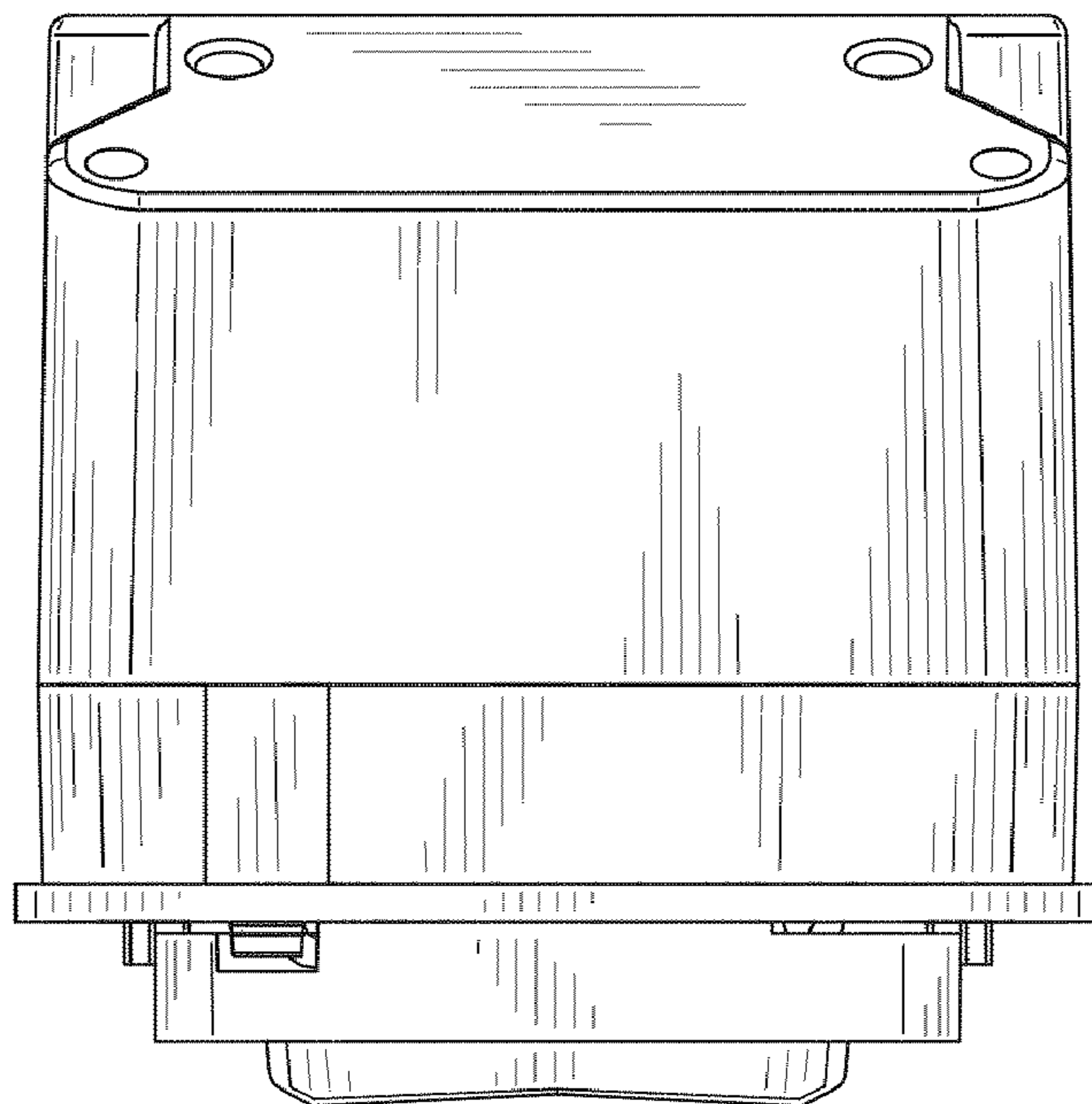


FIG. 6

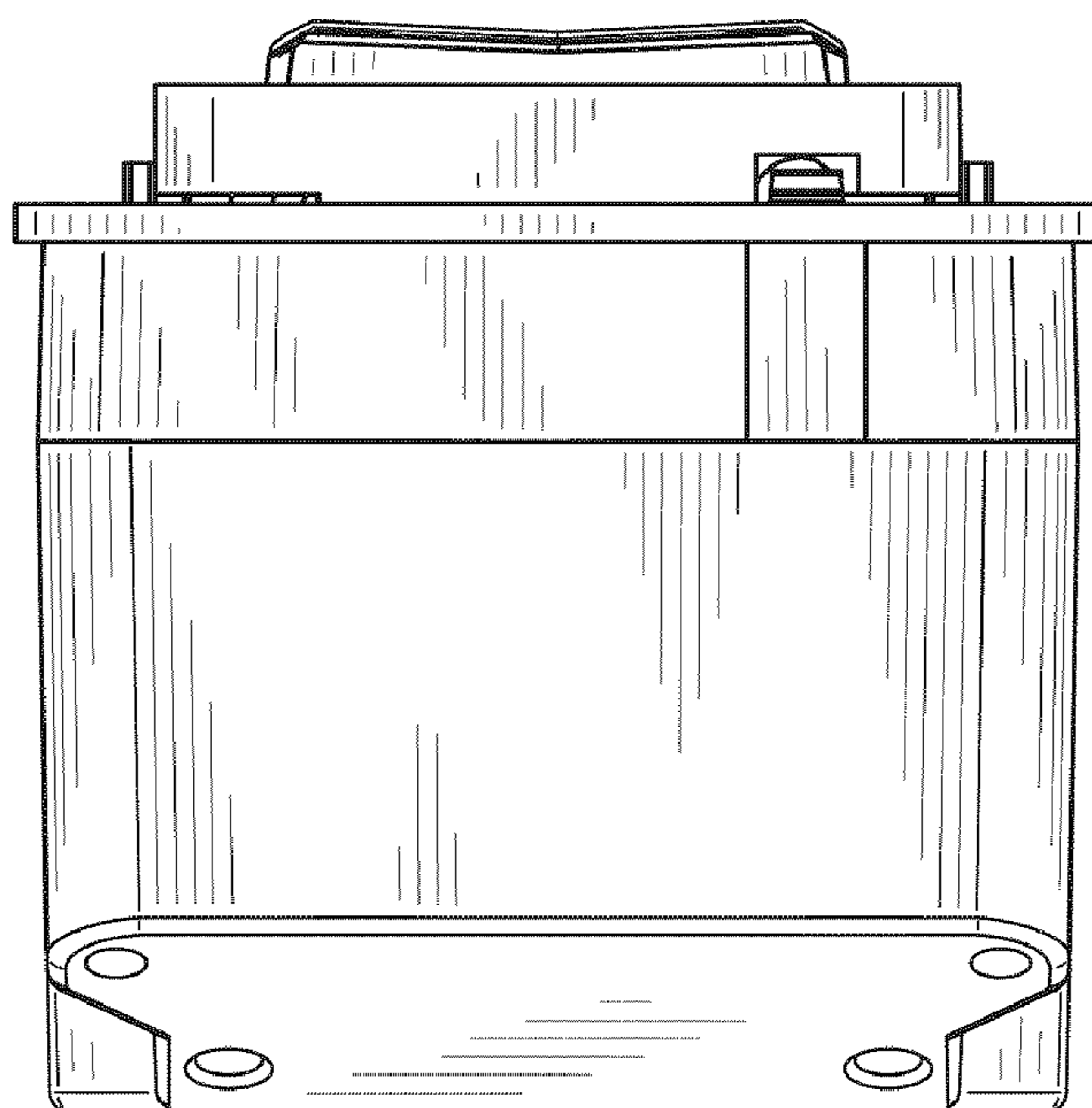


FIG. 7