

US00D563903S

(12) **United States Design Patent**  
**Radau et al.**

(10) **Patent No.:** **US D563,903 S**  
(45) **Date of Patent:** **\*\* Mar. 11, 2008**

(54) **DEVICE FOR CONTROLLING**

(75) Inventors: **Nils Radau**, Salzburg (AT); **Joerg Schaefer**, Rheinbach (DE); **Wilfried Kuepper**, Bad Neuenahr-Ahrweiler (DE); **Artur Wiese**, Bornheim (DE)

(73) Assignee: **Moeller GmbH**, Bonn (DE)

(\*\*) Term: **14 Years**

(21) Appl. No.: **29/280,335**

(22) Filed: **May 24, 2007**

(30) **Foreign Application Priority Data**

Nov. 24, 2006 (DE) ..... 4 06 05 979

(51) **LOC (8) Cl.** ..... **13-03**

(52) **U.S. Cl.** ..... **D13/162; D13/164**

(58) **Field of Classification Search** ..... D13/110,  
D13/123, 147, 151, 158-177, 184; D14/240,  
D14/433, 434, 356-358; 361/686; 439/639,  
439/271, 535, 652, 715-716, 736  
See application file for complete search history.

(56) **References Cited**

**U.S. PATENT DOCUMENTS**

D211,952 S \* 8/1968 Ettinger ..... D13/110  
D281,493 S \* 11/1985 Prager et al. .... D13/162.1  
4,558,914 A \* 12/1985 Prager et al. .... 439/259  
D338,448 S \* 8/1993 Onyszko ..... D13/162  
5,984,734 A \* 11/1999 Piper et al. .... 439/717

6,172,875 B1 \* 1/2001 Suzuki et al. .... 361/729  
D464,326 S \* 10/2002 Clark et al. .... D13/162  
D537,044 S \* 2/2007 Weitz et al. .... D13/151  
D537,794 S \* 3/2007 Sasaki et al. .... D13/159  
D541,754 S \* 5/2007 Sasaki et al. .... D13/159  
D548,193 S \* 8/2007 Sandgren et al. .... D13/162  
2006/0256541 A1 \* 11/2006 Sandgren et al. .... 361/796

\* cited by examiner

*Primary Examiner*—Selina Sikder

*Assistant Examiner*—Thomas J Johannes

(74) *Attorney, Agent, or Firm*—Darby & Darby

(57) **CLAIM**

The ornamental design for a device for controlling, as shown and described.

**DESCRIPTION**

FIG. 1 is a front, top and right side perspective view of the device for controlling showing my new design;

FIG. 2 is a bottom, right side and rear perspective view thereof;

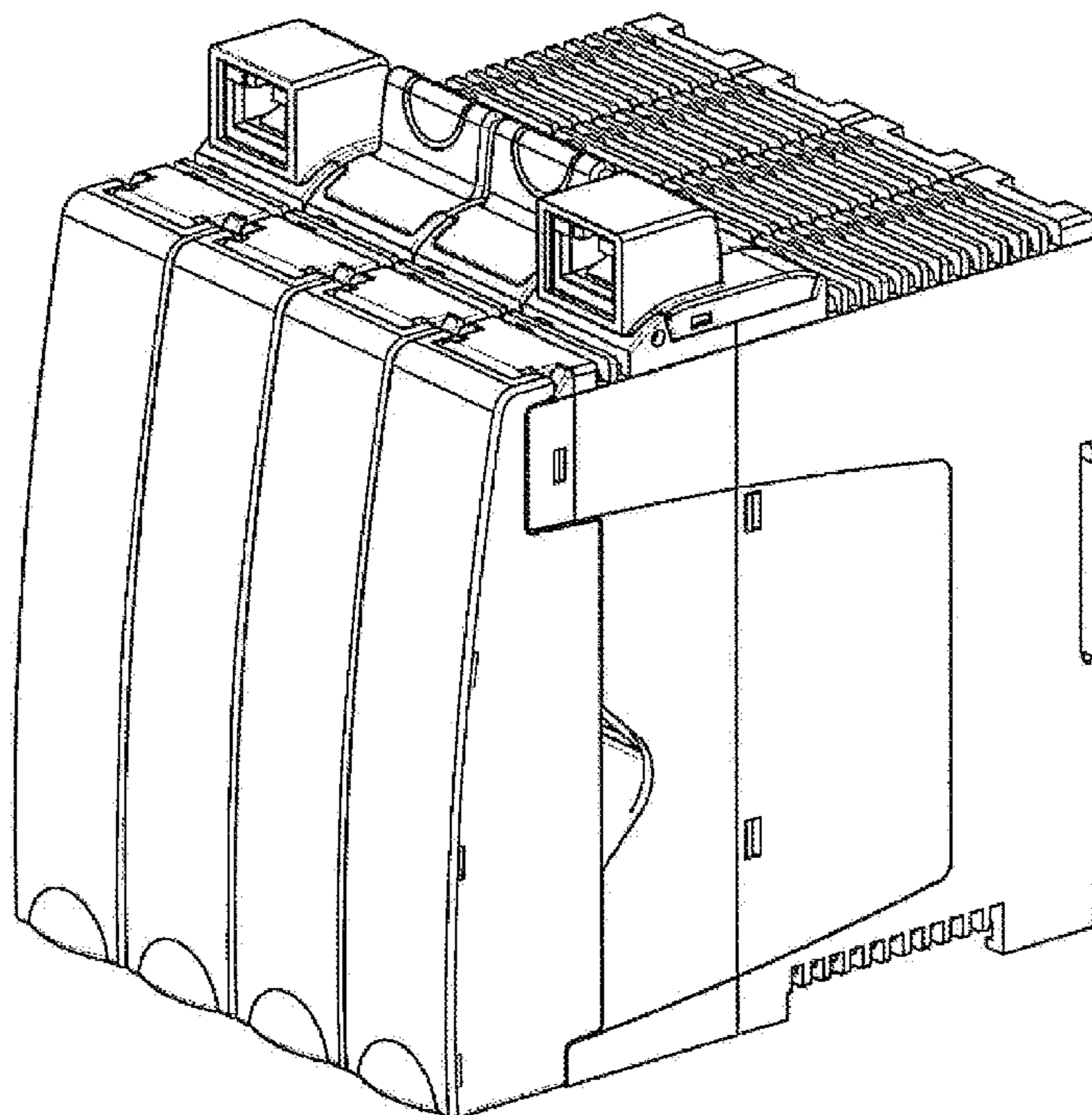
FIG. 3 is a left side view thereof;

FIG. 4 is a front view thereof; and,

FIG. 5 is a top view thereof.

The broken line showing in the figure drawings is included for illustrative purposes only and forms no part of the claimed design.

**1 Claim, 5 Drawing Sheets**



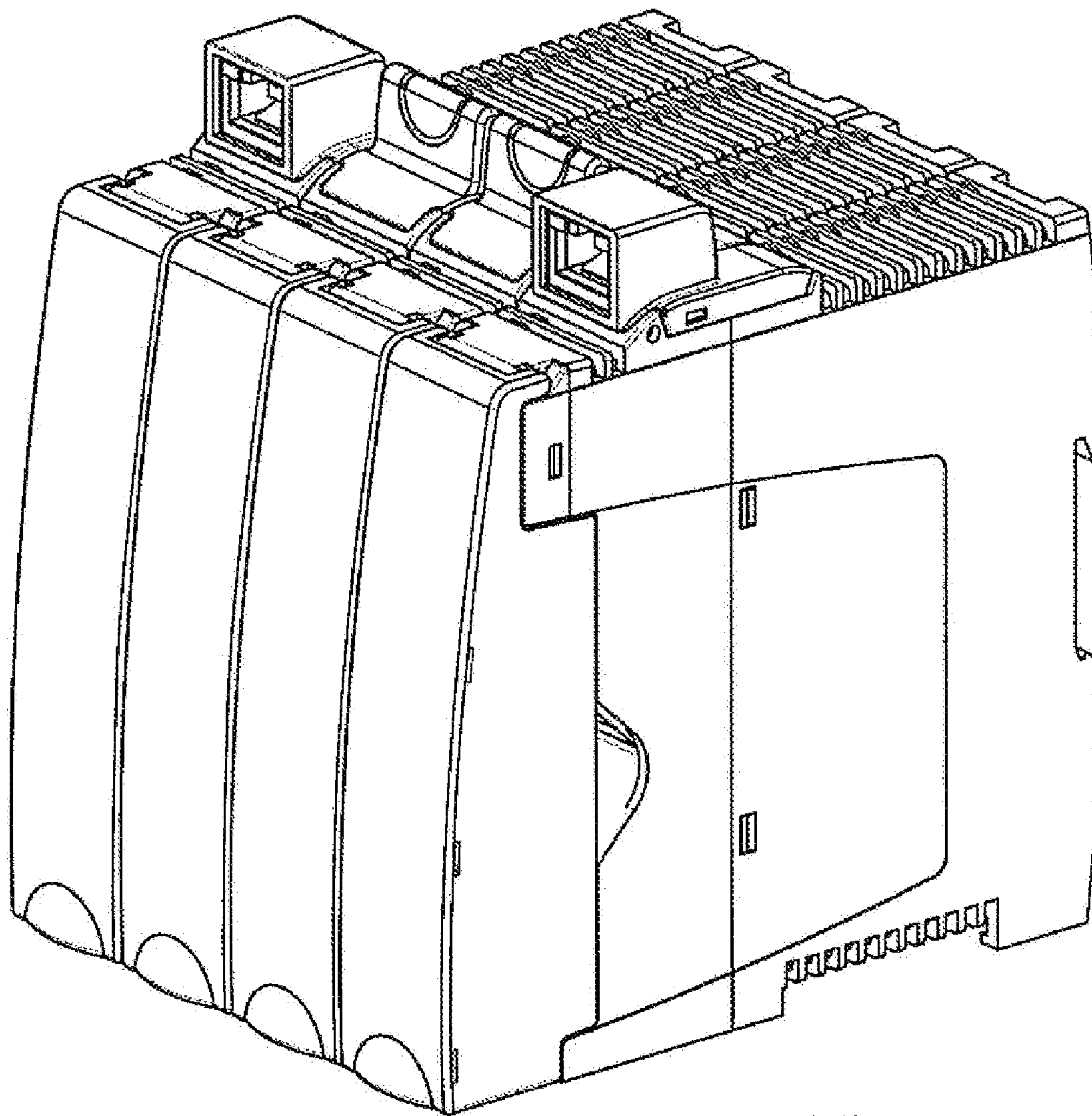


Fig. 1



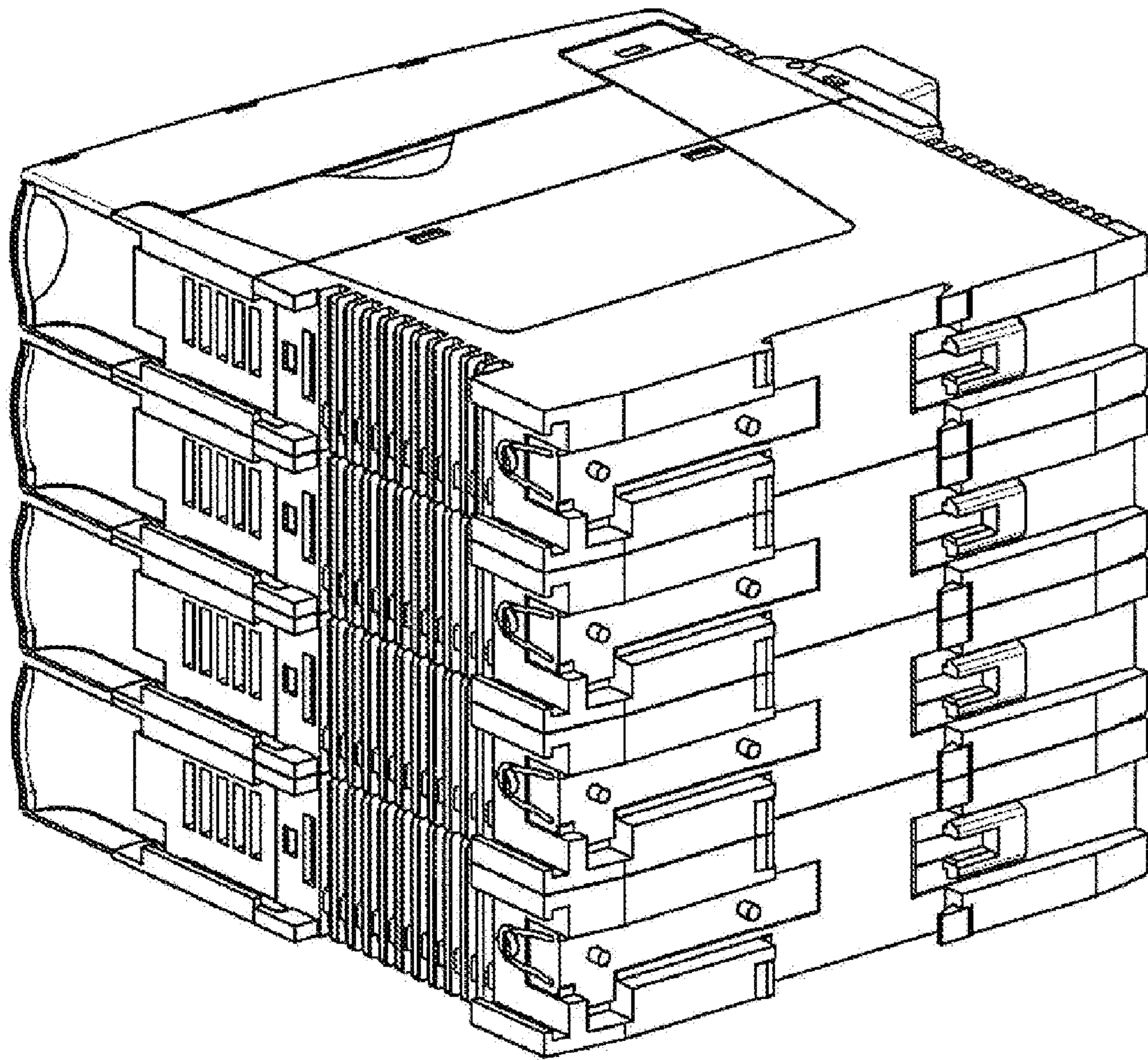


Fig. 2

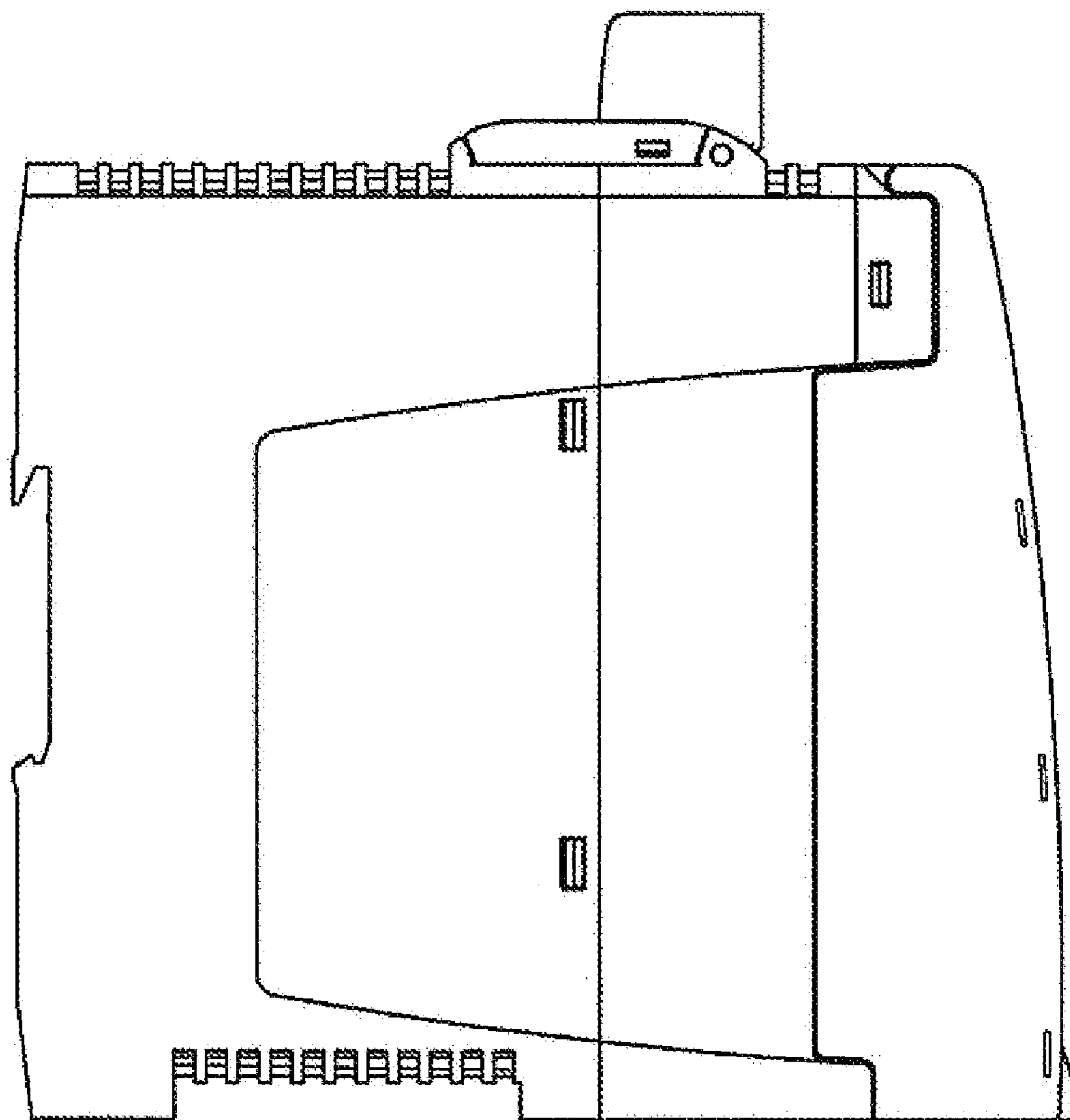


Fig. 3

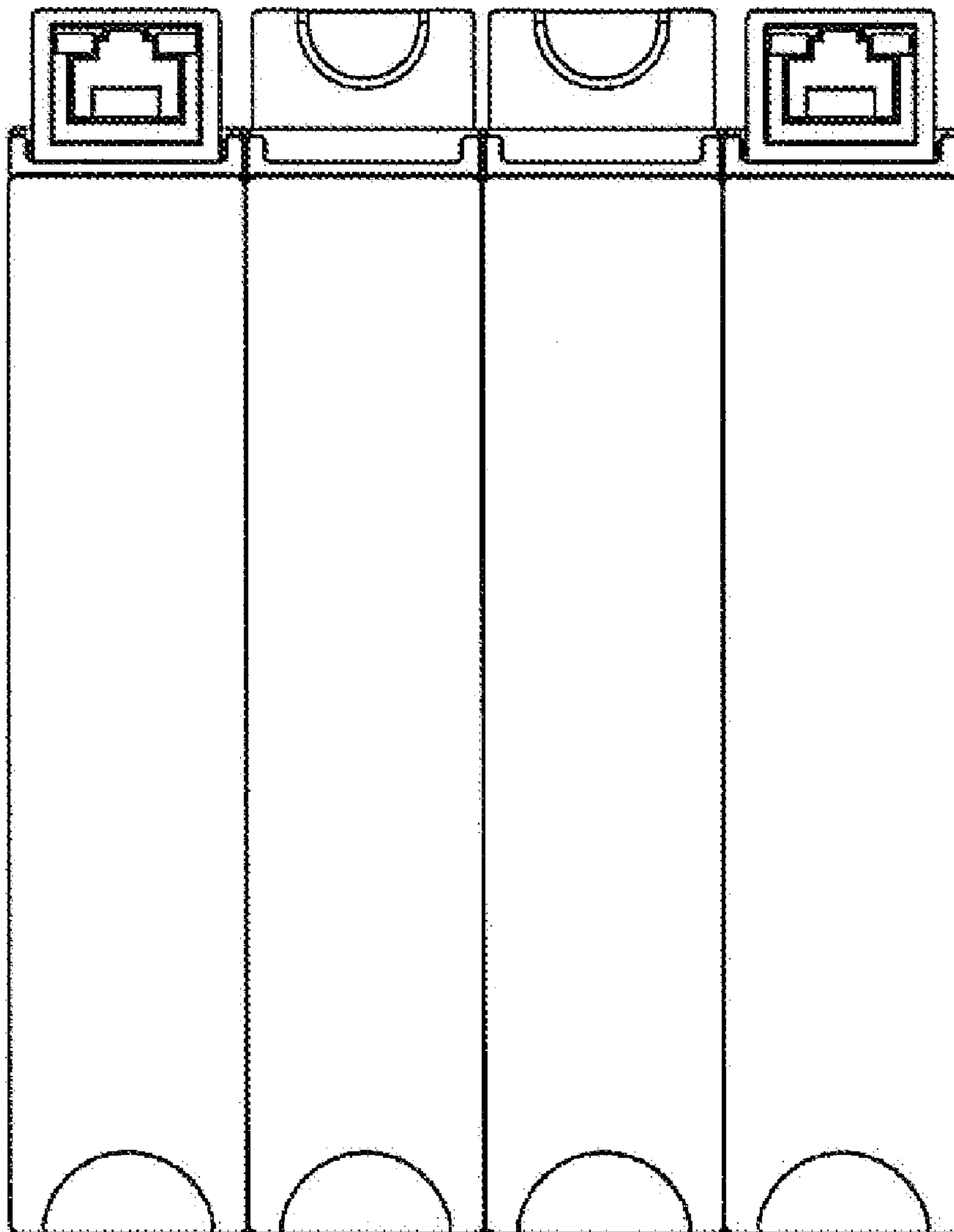


Fig. 4

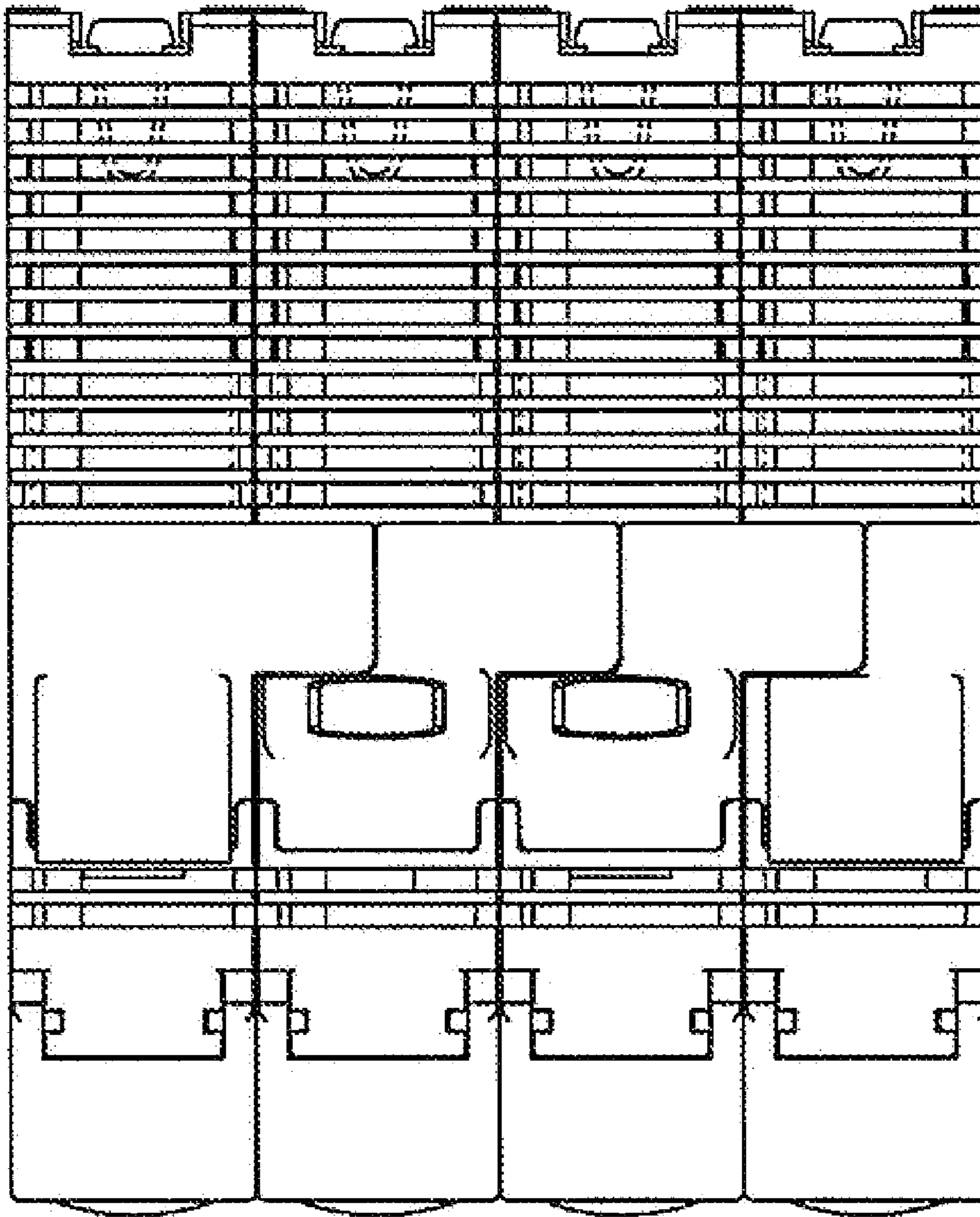


Fig. 5