

US00D563897S

(12) **United States Design Patent**
Lee et al.

(10) **Patent No.:** **US D563,897 S**
(45) **Date of Patent:** **** Mar. 11, 2008**

(54) **AV CONNECTOR**

D481,682 S * 11/2003 Wu D13/147
D519,925 S * 5/2006 Milan D13/133

(75) Inventors: **Noel Lee**, Las Vegas, NV (US);
Kendrew Lee, Fremont, CA (US)

* cited by examiner

(73) Assignee: **Monster Cable Products, Inc.**,
Brisbane, CA (US)

Primary Examiner—Daniel Bui
(74) *Attorney, Agent, or Firm*—LaRiviere, Grubman &
Payne, LLP

(**) Term: **14 Years**

(57) **CLAIM**

(21) Appl. No.: **29/243,241**

The ornamental design for an AV connector, as shown and described.

(22) Filed: **Nov. 21, 2005**

(51) **LOC (8) Cl.** **13-03**

(52) **U.S. Cl.** **D13/154; D13/133; D13/147**

(58) **Field of Classification Search** D13/133,
D13/146–147, 153, 154, 184, 199; D14/125,
D14/239, 256, 299; 439/607–610, 680, 686
See application file for complete search history.

DESCRIPTION

FIG. 1 is a perspective view of an AV connector, showing our new design.

FIG. 2 is a top plan view thereof.

FIG. 3 is a bottom plan view thereof.

FIG. 4 is a side elevation view thereof.

FIG. 5 is an opposite of side view shown in FIG. 4.

FIG. 6 is a front end elevation view thereof; and,

FIG. 7 is a rear end elevation view thereof.

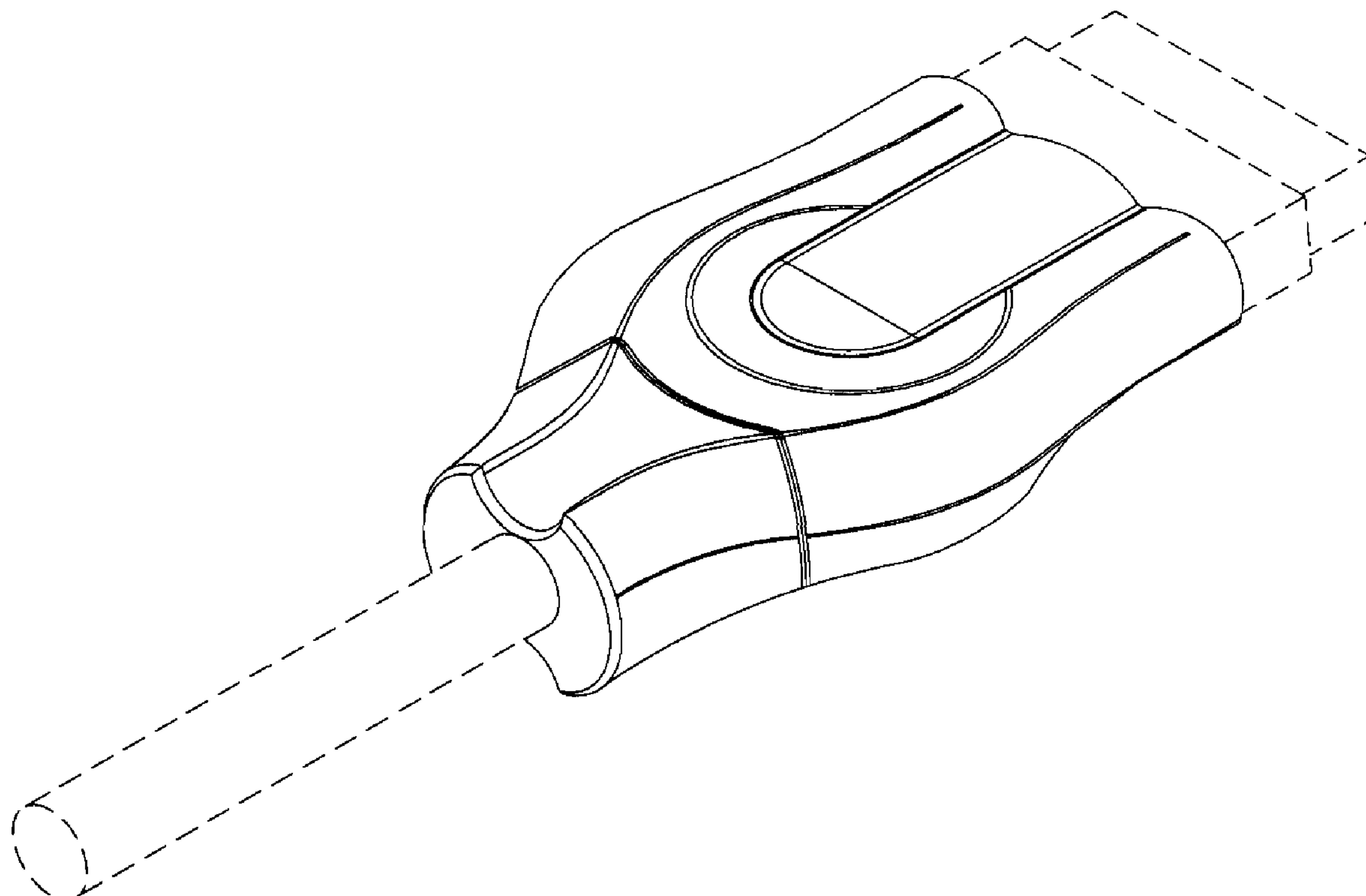
The broken line showing of the environment is for illustrative purposes only and forms no part of the claimed design.

(56) **References Cited**

U.S. PATENT DOCUMENTS

- D379,968 S * 6/1997 Tan et al. D13/147
- D442,556 S * 5/2001 Milan D13/154
- D448,006 S * 9/2001 Lee D13/133
- D470,819 S * 2/2003 Sass et al. D13/133
- D476,951 S * 7/2003 Hussaini et al. D13/147

1 Claim, 3 Drawing Sheets



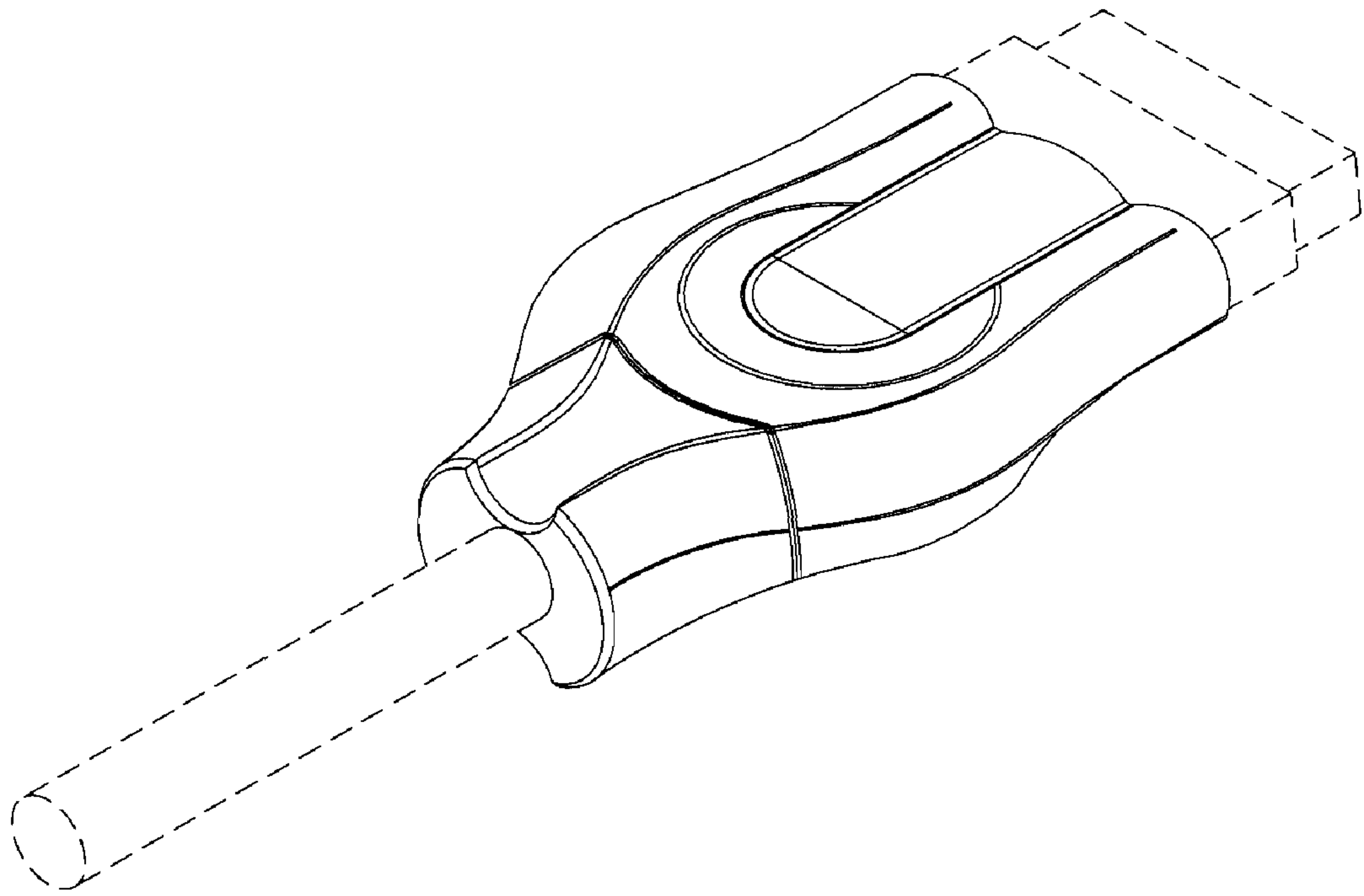


Figure 1

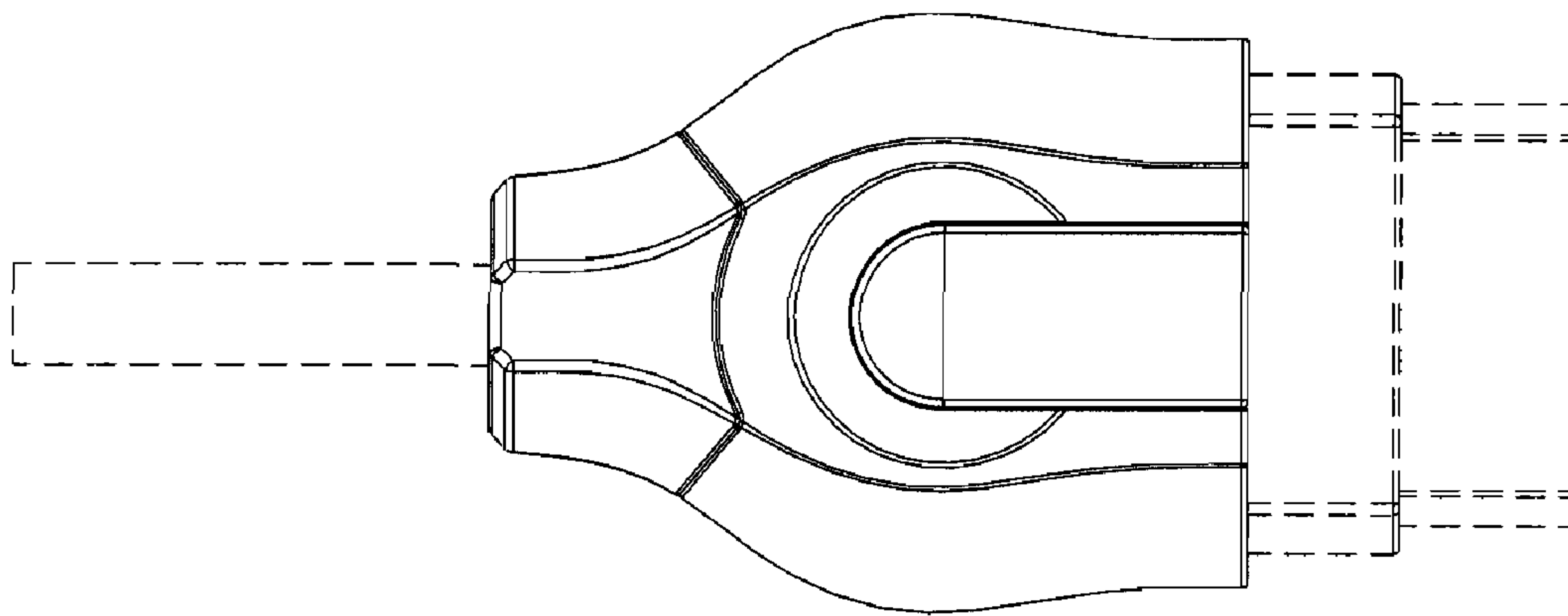


Figure 2

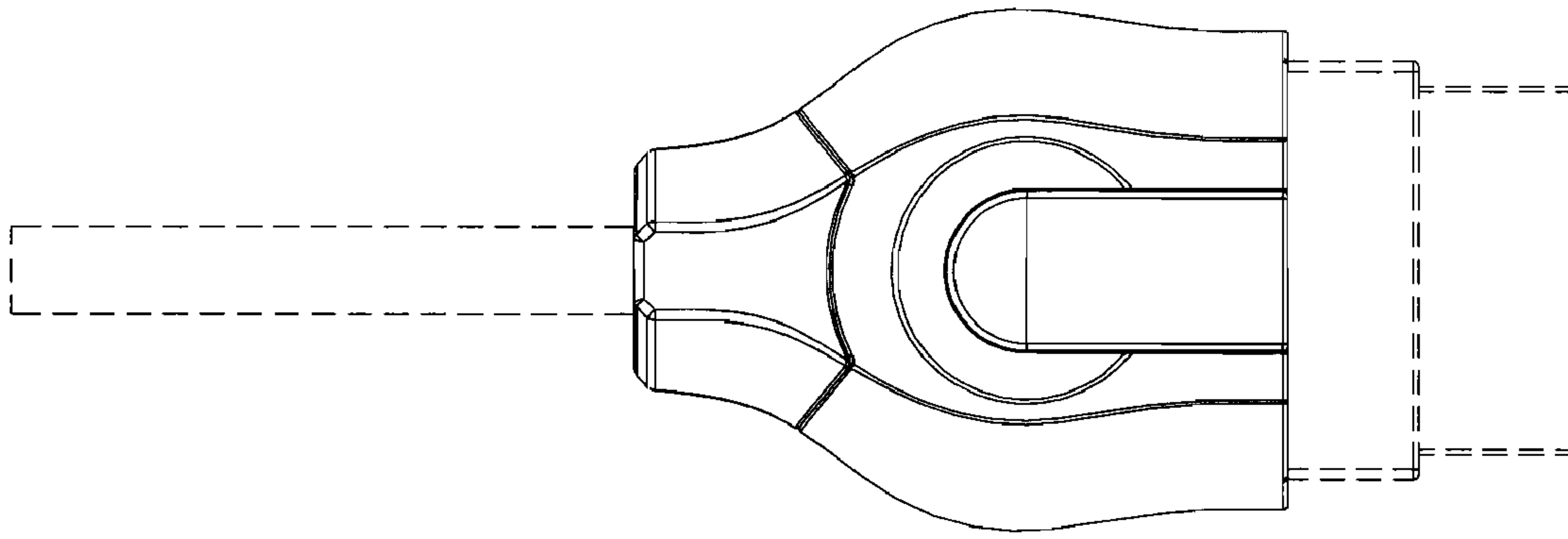


Figure 3

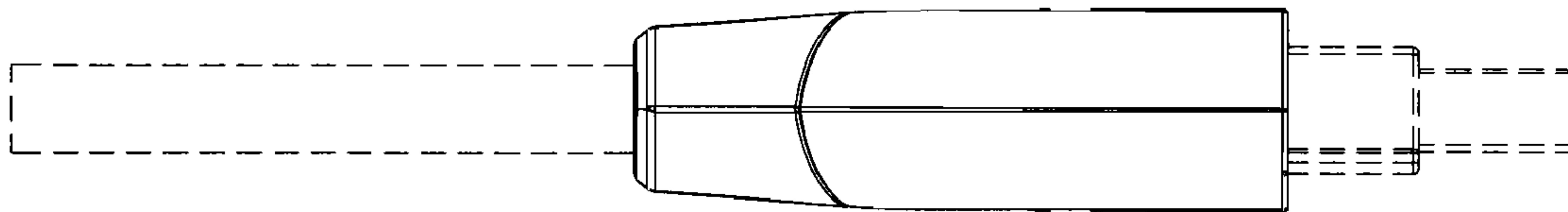


Figure 4

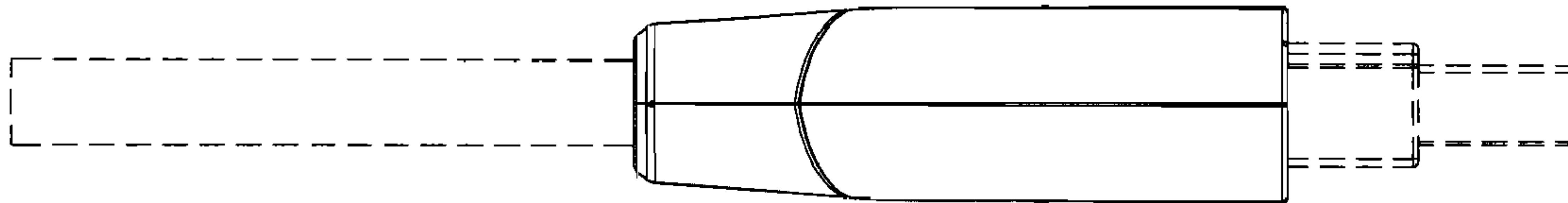


Figure 5

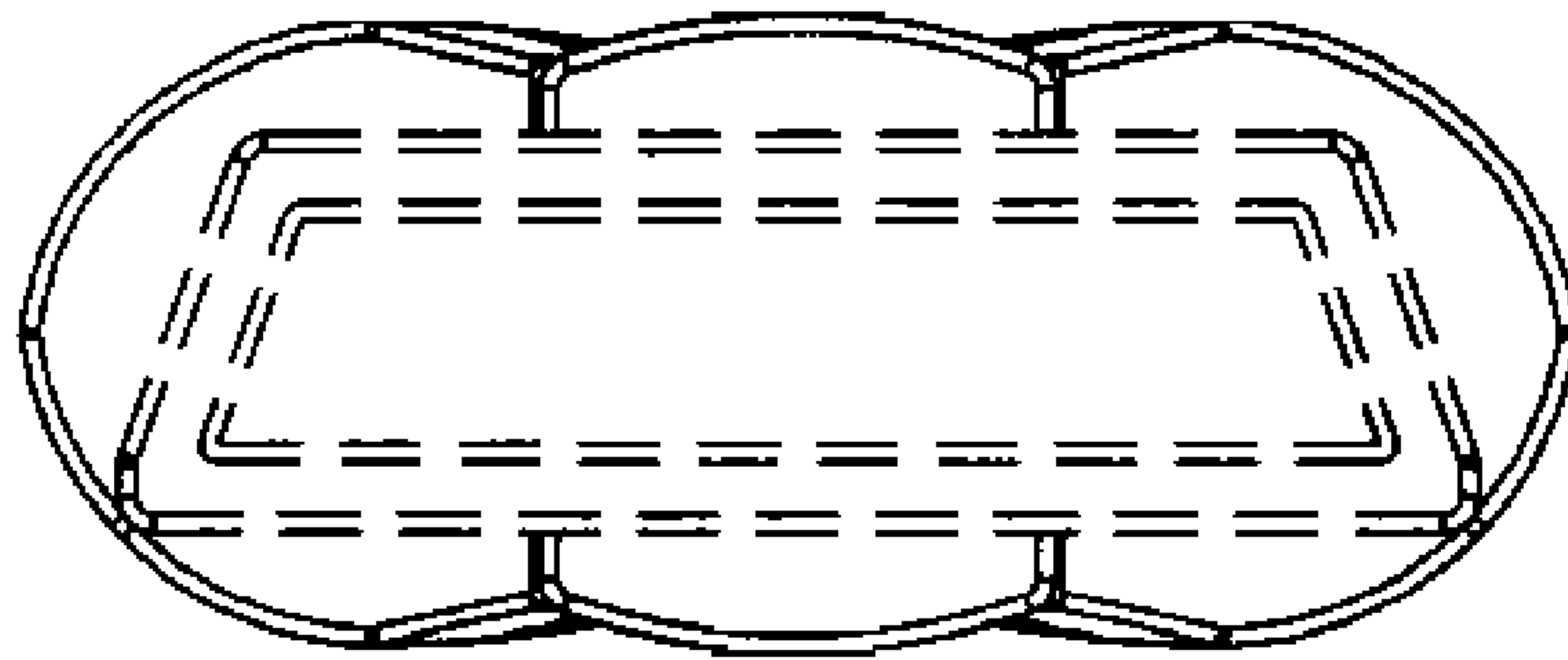


Figure 6

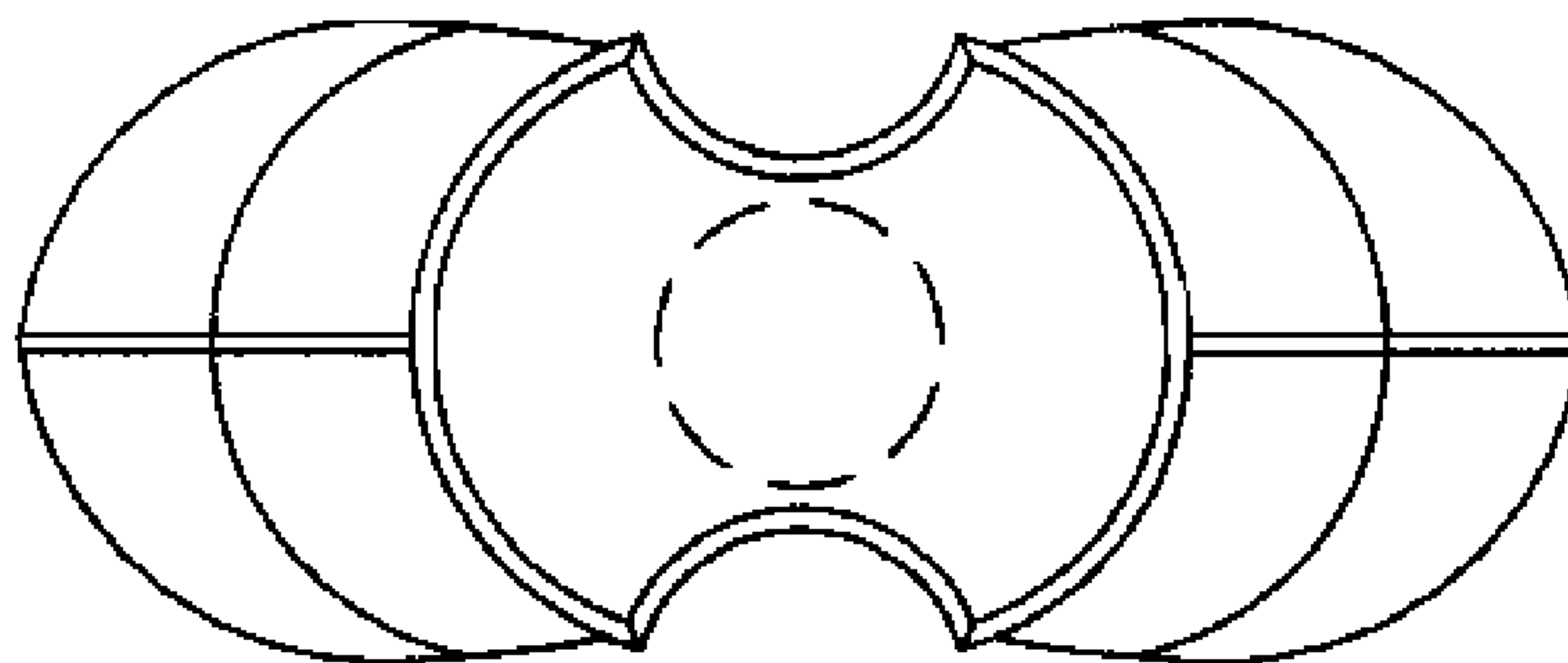


Figure 7