



US00D563896S

(12) **United States Design Patent**  
**Greenslate**

(10) **Patent No.:** **US D563,896 S**

(45) **Date of Patent:** **\*\* Mar. 11, 2008**

(54) **ALARM BOX**

(76) **Inventor:** **Randal S. Greenslate**, 6241 Yarrow  
Dr., Suite A, Carlsbad, CA (US) 92011

(\*\*) **Term:** **14 Years**

(21) **Appl. No.:** **29/275,226**

(22) **Filed:** **Dec. 18, 2006**

(51) **LOC (8) Cl.** ..... **13-02**

(52) **U.S. Cl.** ..... **D13/152; D10/104**

(58) **Field of Classification Search** ..... D13/139.4,  
D13/152, 156, 184; D10/104, 106, 121;  
220/3.2, 3.3, 3.7-3.9, 241, 242, 244, 315;  
439/135, 136, 138, 142, 367, 373, 535, 536,  
439/537, 541, 892, 938; 174/50, 53-55,  
174/58, 60, 66, 67

See application file for complete search history.

(56) **References Cited**

**U.S. PATENT DOCUMENTS**

- 969,805 A \* 9/1910 Pratt ..... 220/315
- D52,944 S \* 2/1919 Boyton ..... D13/152
- 1,402,769 A \* 1/1922 Hirshfeld ..... 220/3.94
- 2,553,244 A \* 5/1951 Ellmann ..... 340/303
- 2,946,867 A \* 7/1960 Wehrig ..... 200/61.45 R
- 3,215,769 A \* 11/1965 Slater ..... 174/53
- 3,288,910 A \* 11/1966 Zerwes ..... 174/53
- 3,340,349 A \* 9/1967 Zerwes ..... 174/53

- D264,450 S \* 5/1982 Smith, Jr. .... D10/106
- D286,768 S \* 11/1986 Borsh et al. .... D13/152
- D310,824 S \* 9/1990 Layton ..... D13/152
- D507,241 S \* 7/2005 Koessler ..... D13/152
- 2007/0187402 A1 \* 8/2007 Dinh ..... 220/3.9

\* cited by examiner

*Primary Examiner*—Cathron Brooks

*Assistant Examiner*—Rosemary K Tarcza

(74) *Attorney, Agent, or Firm*—Michael H. Jester

(57) **CLAIM**

The ornamental design for an alarm box, as shown and described.

**DESCRIPTION**

FIG. 1 is an isometric view of the alarm box.

FIG. 2 is a top plan view of the alarm box.

FIG. 3 is a bottom plan view of the alarm box.

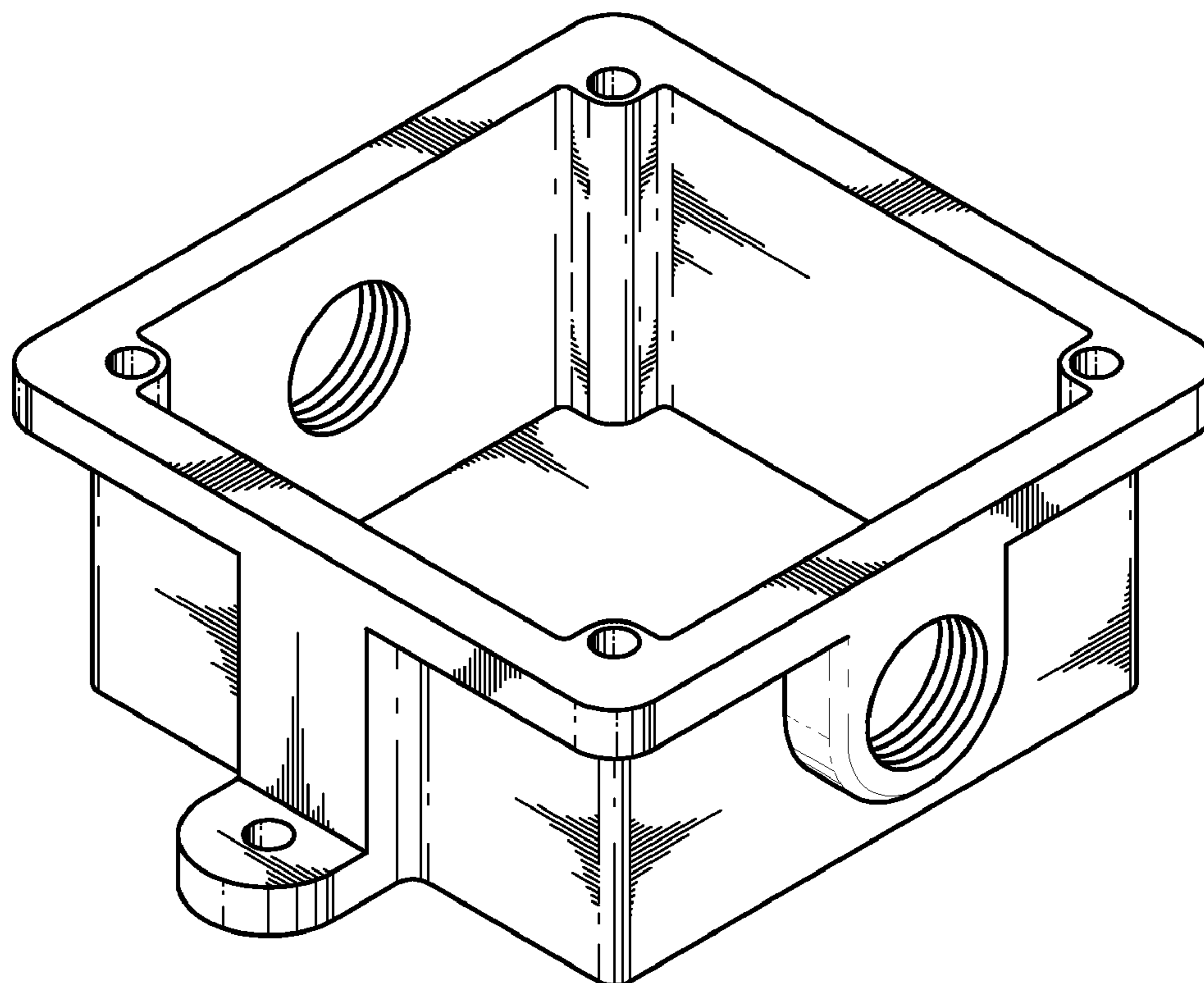
FIG. 4 is a side elevation view of the alarm box taken from the left side of FIG. 1.

FIG. 5 is a side elevation view of the alarm box opposite of the side illustrated in FIG. 4.

FIG. 6 is a right hand side elevation view of the alarm box; and,

FIG. 7 is a left hand side elevation view of the alarm box.

**1 Claim, 3 Drawing Sheets**



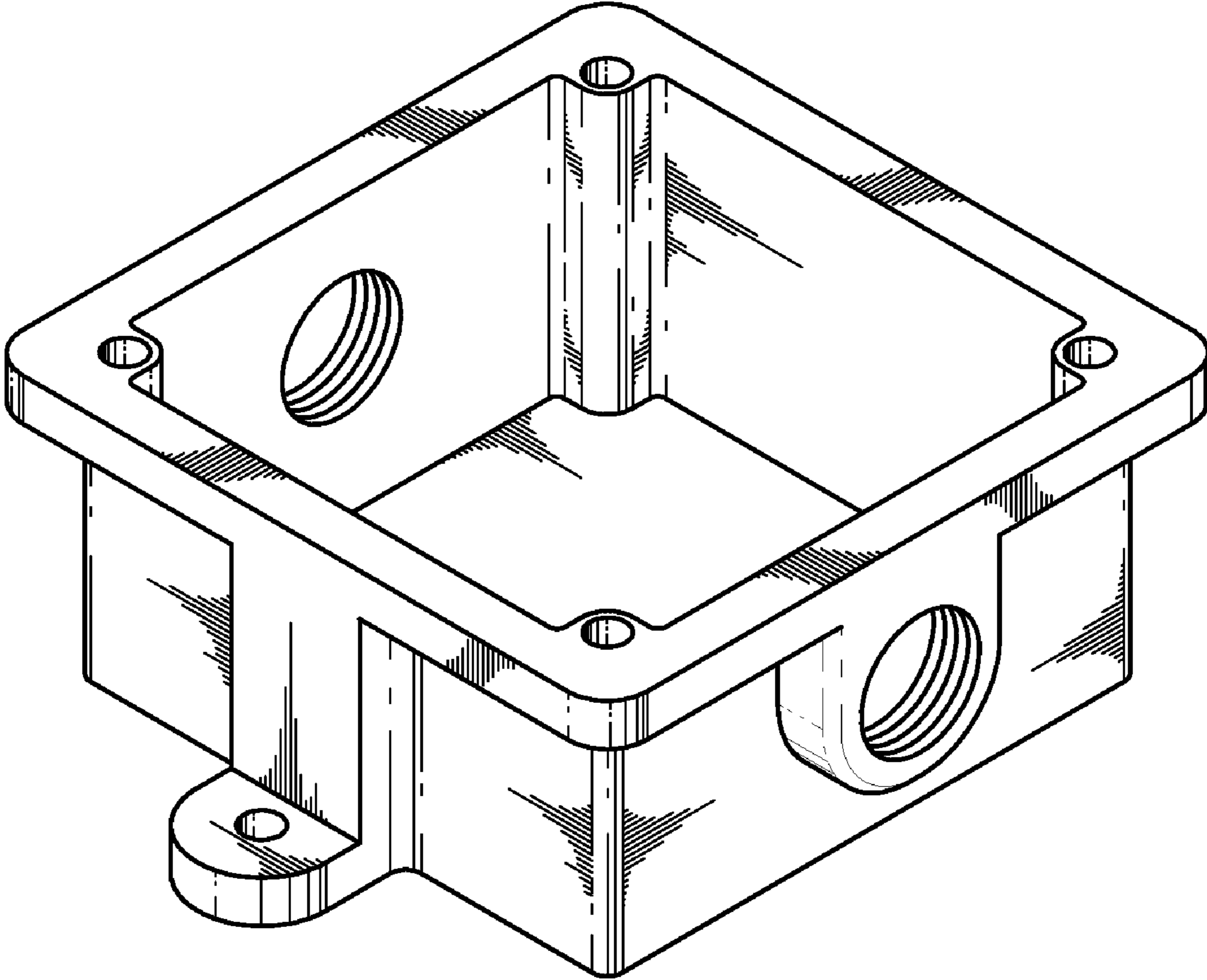


FIG. 1

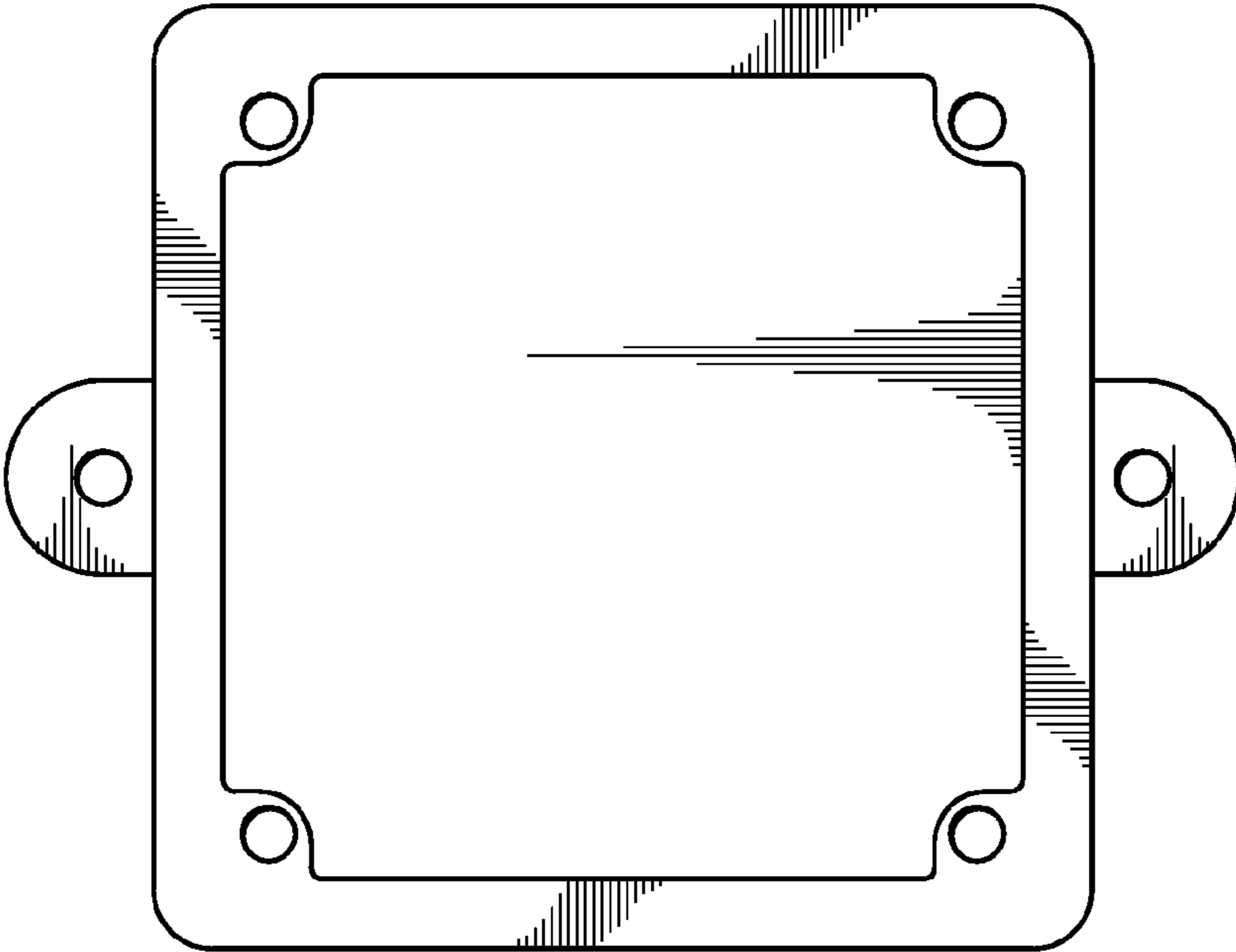


FIG. 2

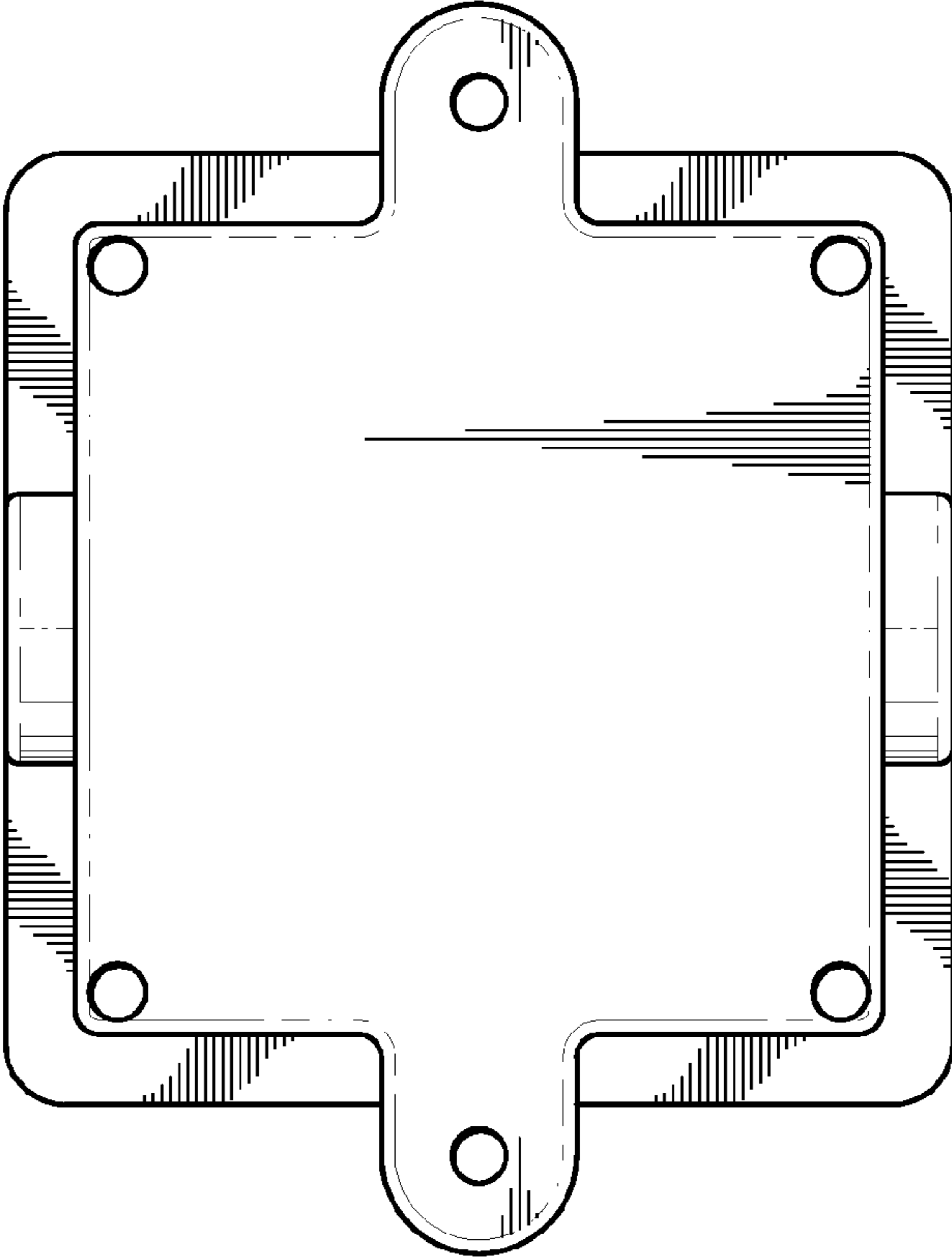


FIG. 3

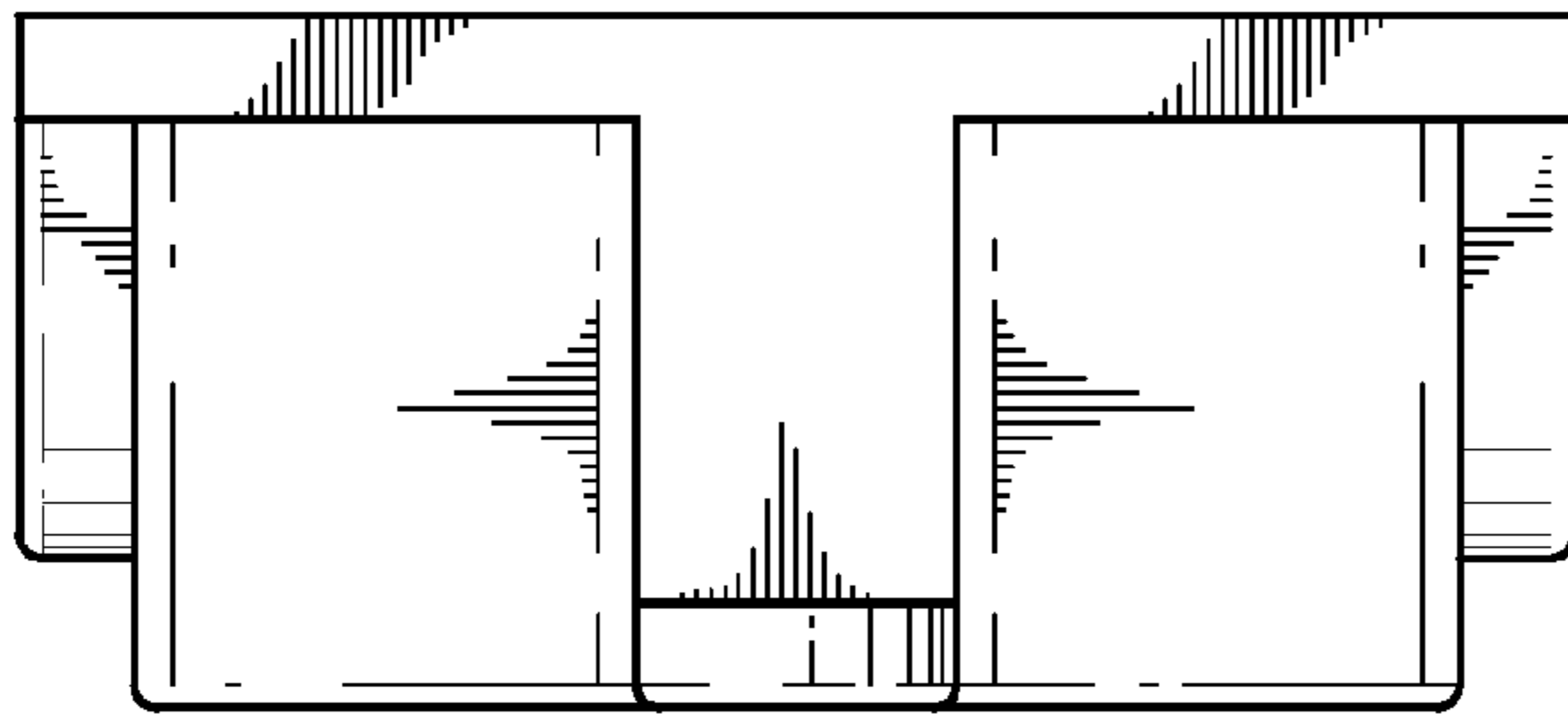


FIG. 4

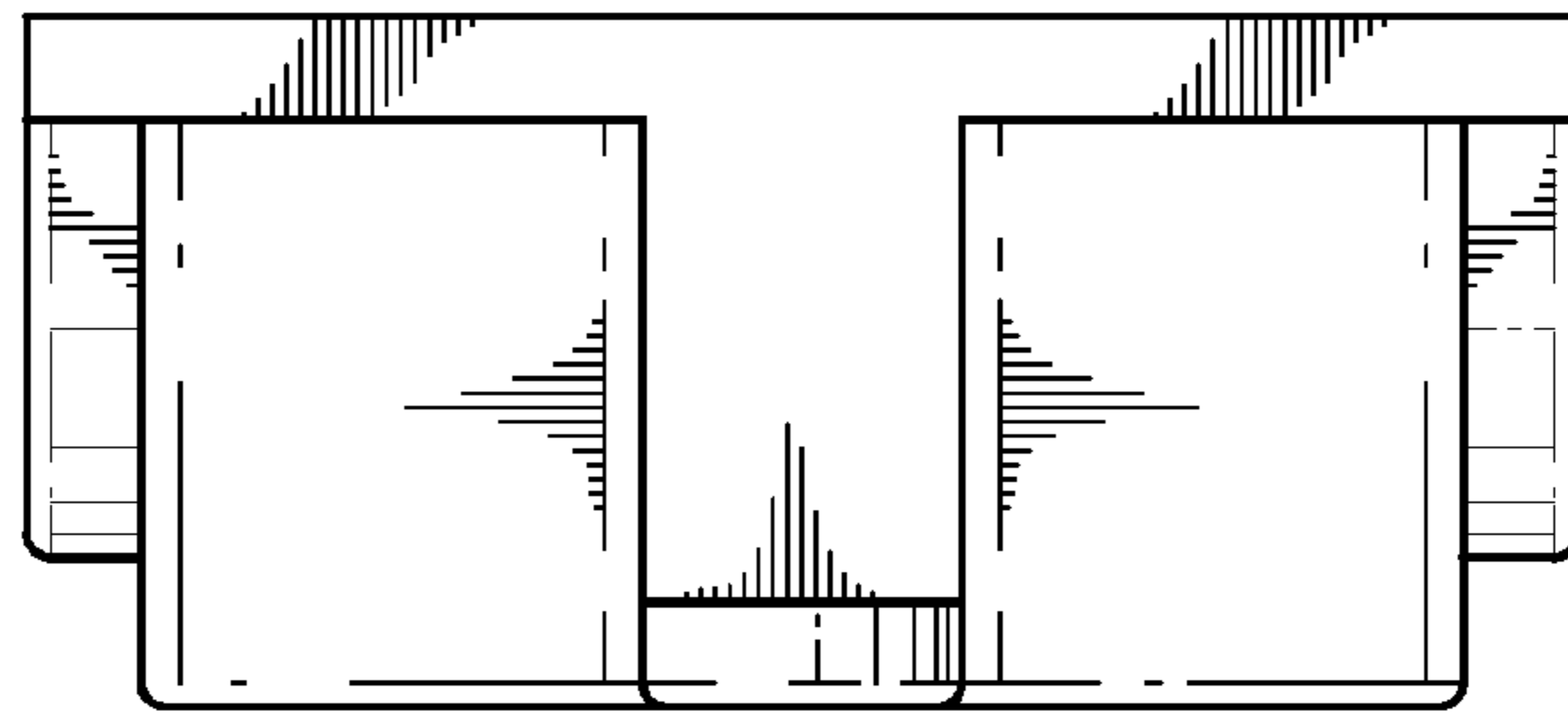


FIG. 5

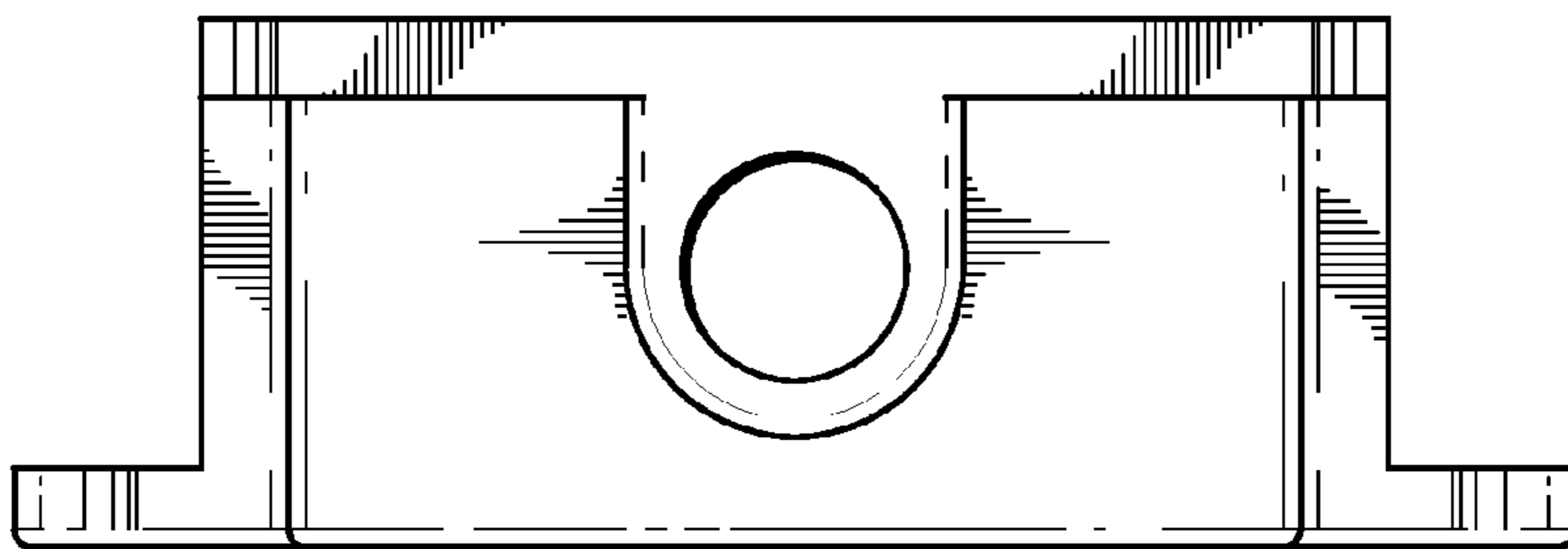


FIG. 6

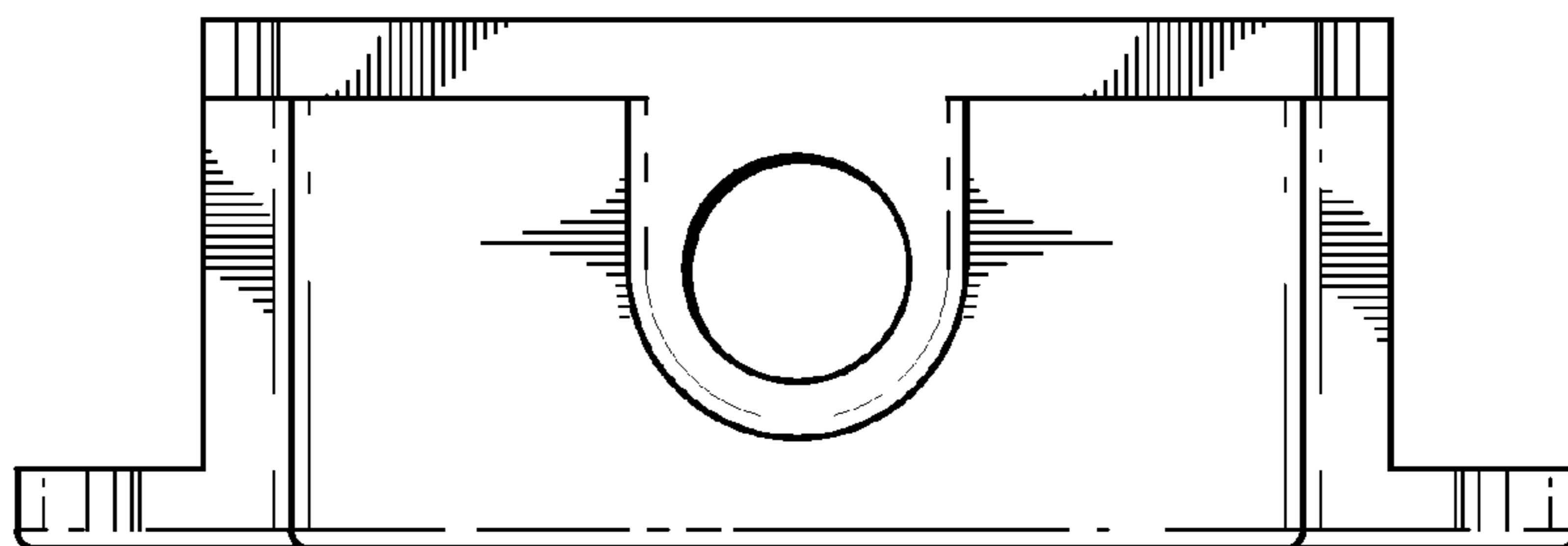


FIG. 7