



US00D563894S

(12) **United States Design Patent**
Tomasa Pujol

(10) **Patent No.:** **US D563,894 S**
(45) **Date of Patent:** **** Mar. 11, 2008**

(54) **FRAME FOR A CONTROL TERMINAL**

(75) Inventor: **Antoni Tomasa Pujol**, De Castellet
(ES)

(73) Assignee: **SPEC, S.A.**, Barcelona (ES)

(**) Term: **14 Years**

(21) Appl. No.: **29/262,260**

(22) Filed: **Jun. 28, 2006**

(30) **Foreign Application Priority Data**

Dec. 28, 2005 (EM) 000456090-0001

(51) **LOC (8) Cl.** **13-03**

(52) **U.S. Cl.** **D13/152**

(58) **Field of Classification Search** D13/139.4,
D13/152, 156, 184; D8/350, 353; 174/50,
174/53-55, 58, 60, 66, 67; 220/3.2, 3.3,
220/3.7-3.9, 241, 242, 244, 315; 439/135,
439/136, 138, 142, 367, 373, 535, 536, 537,
439/541, 892, 893

See application file for complete search history.

(56) **References Cited**

U.S. PATENT DOCUMENTS

D106,369 S * 10/1937 Lantz D13/177

D152,936 S * 3/1949 Bloom D8/400
D194,977 S * 4/1963 Carter et al. D13/171
D401,566 S * 11/1998 Gesmondi et al. D13/177
D414,745 S * 10/1999 Schmitt D13/152
D424,408 S * 5/2000 Garibay et al. D8/353
D424,409 S * 5/2000 Garibay et al. D8/353
D451,479 S * 12/2001 Bateson et al. D13/152
D469,339 S * 1/2003 Luu D8/353
6,858,802 B2 * 2/2005 Hagarty et al. 174/58

* cited by examiner

Primary Examiner—Cathron Brooks

Assistant Examiner—Rosemary K Tarcza

(74) *Attorney, Agent, or Firm*—Klauber & Jackson LLC

(57) **CLAIM**

The ornamental design for frame for a control terminal, as shown.

DESCRIPTION

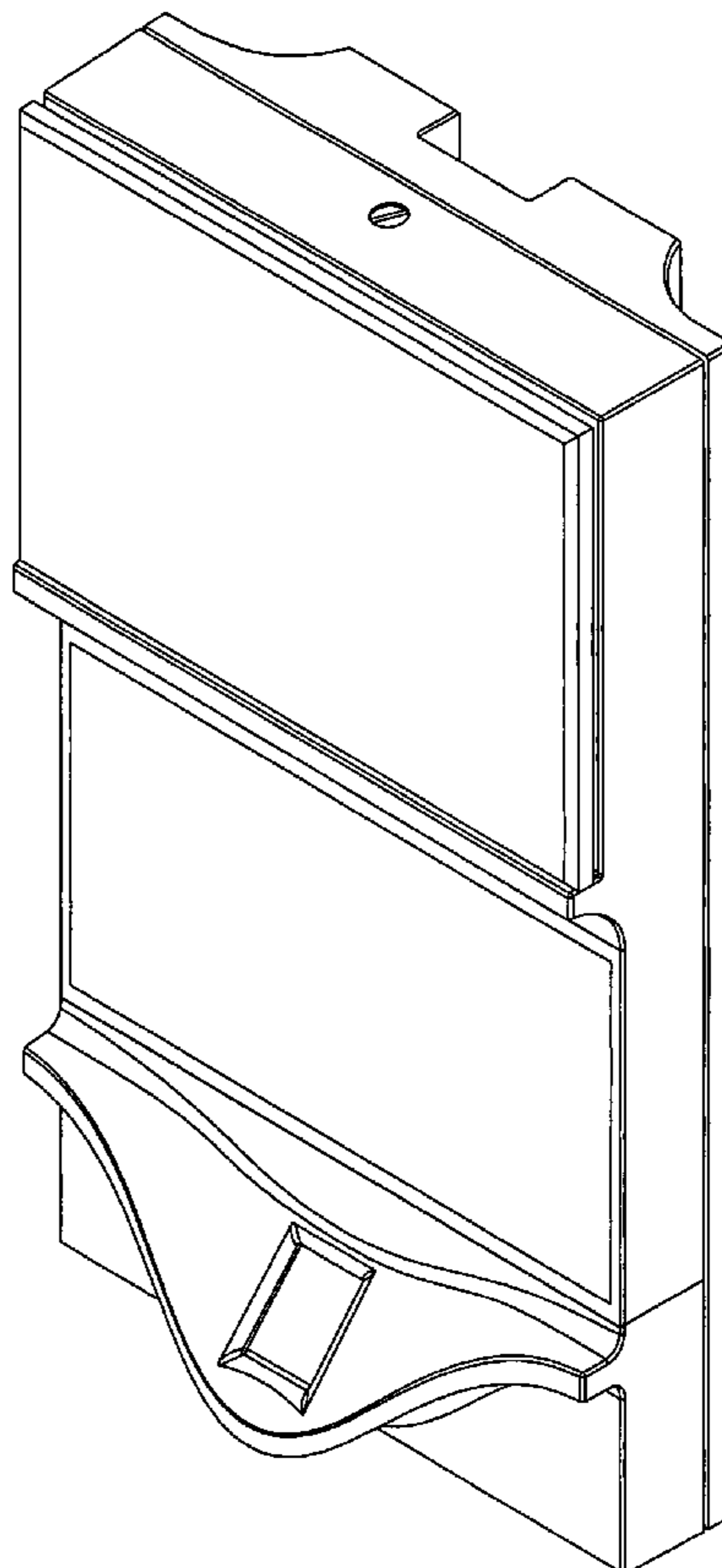
FIG. 1 is a front view of the frame for a control terminal of my new design;

FIG. 2 is a upper left perspective view thereof;

FIG. 3 is a left side view thereof, the right view being the mirror image thereof; and,

FIG. 4 is a rear view thereof.

1 Claim, 4 Drawing Sheets



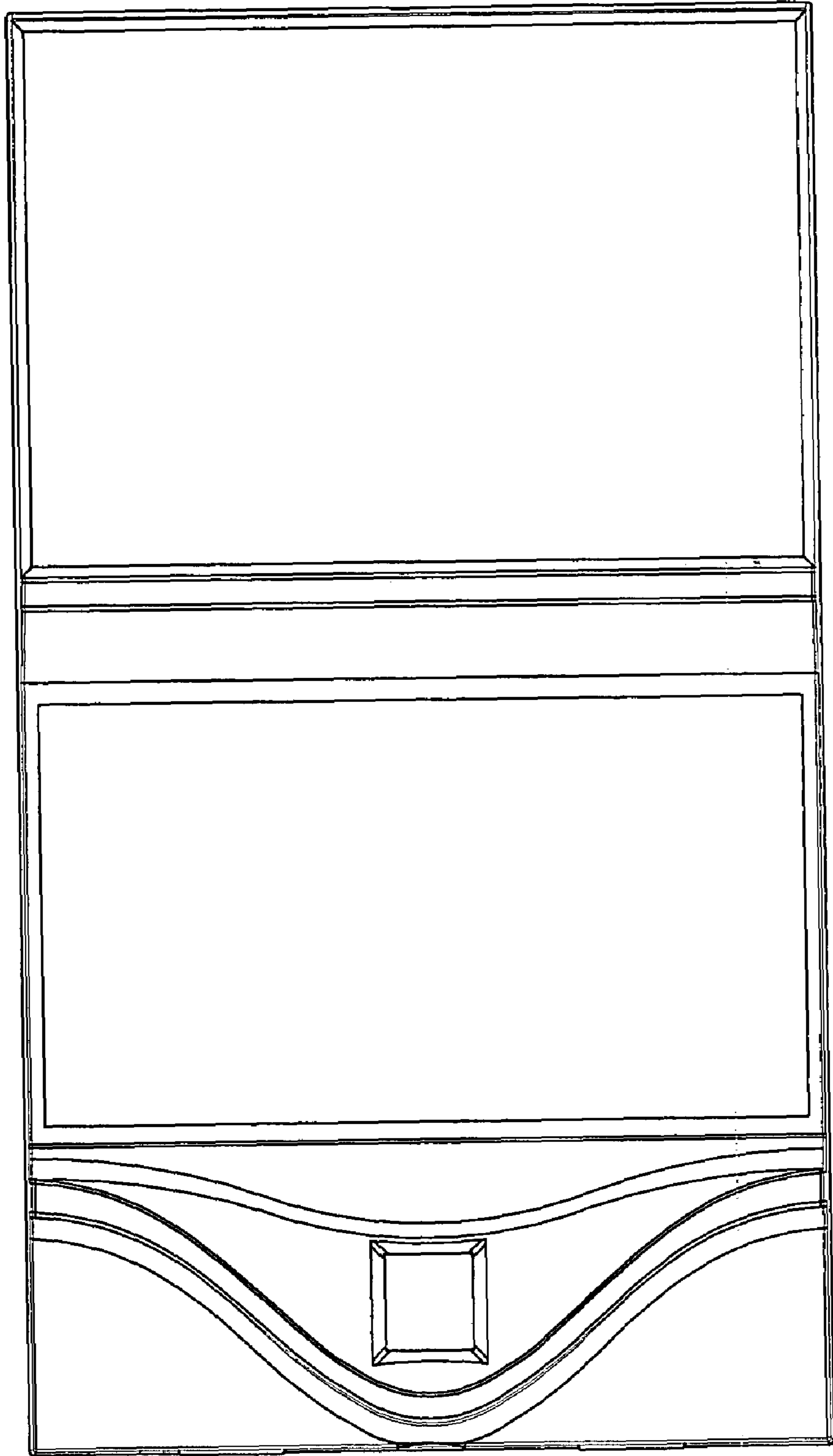


FIG. 1

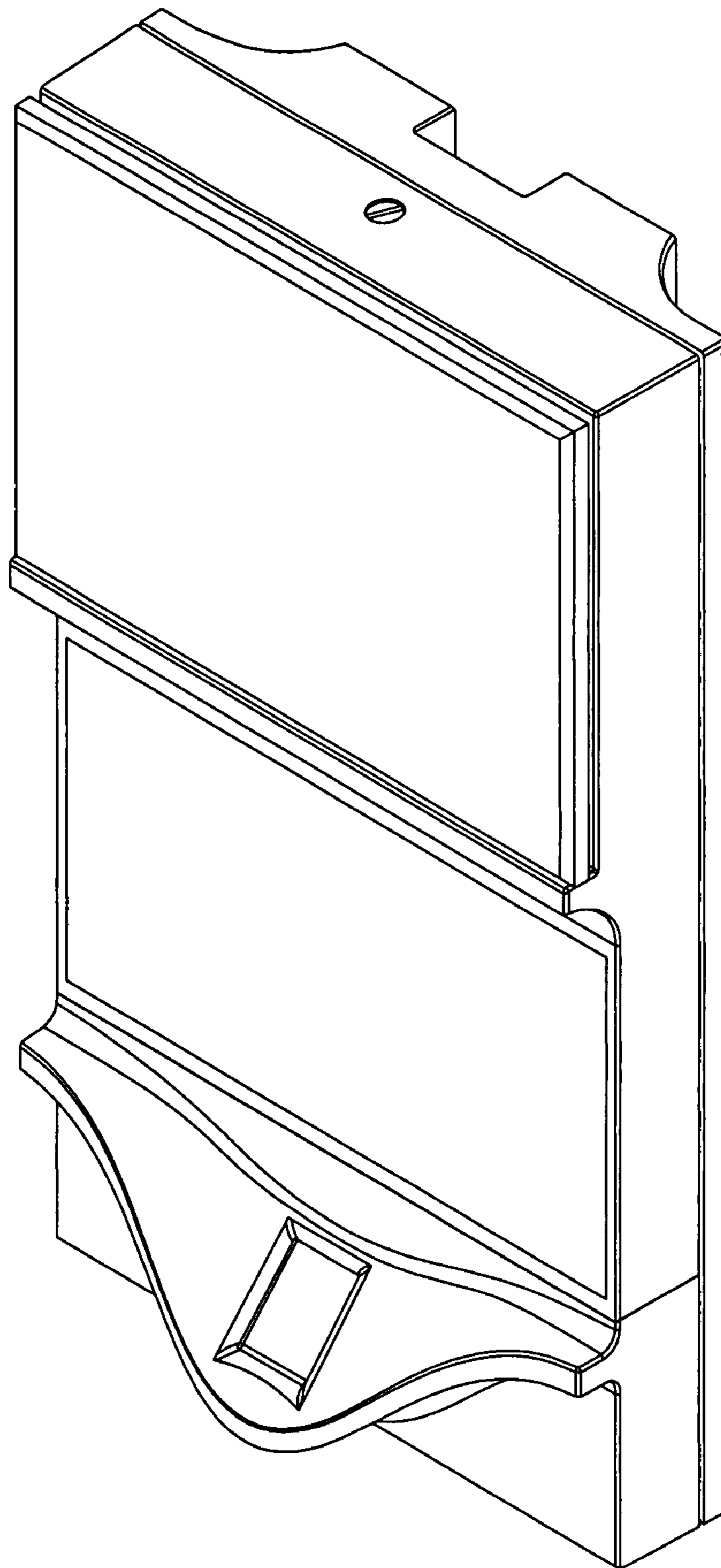


FIG. 2

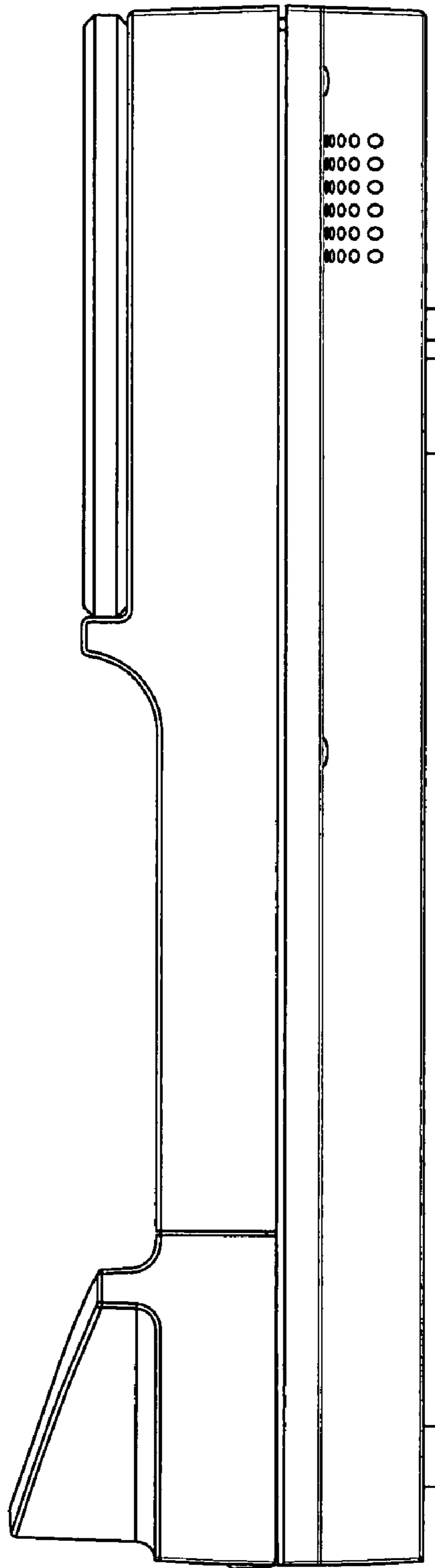


FIG. 3

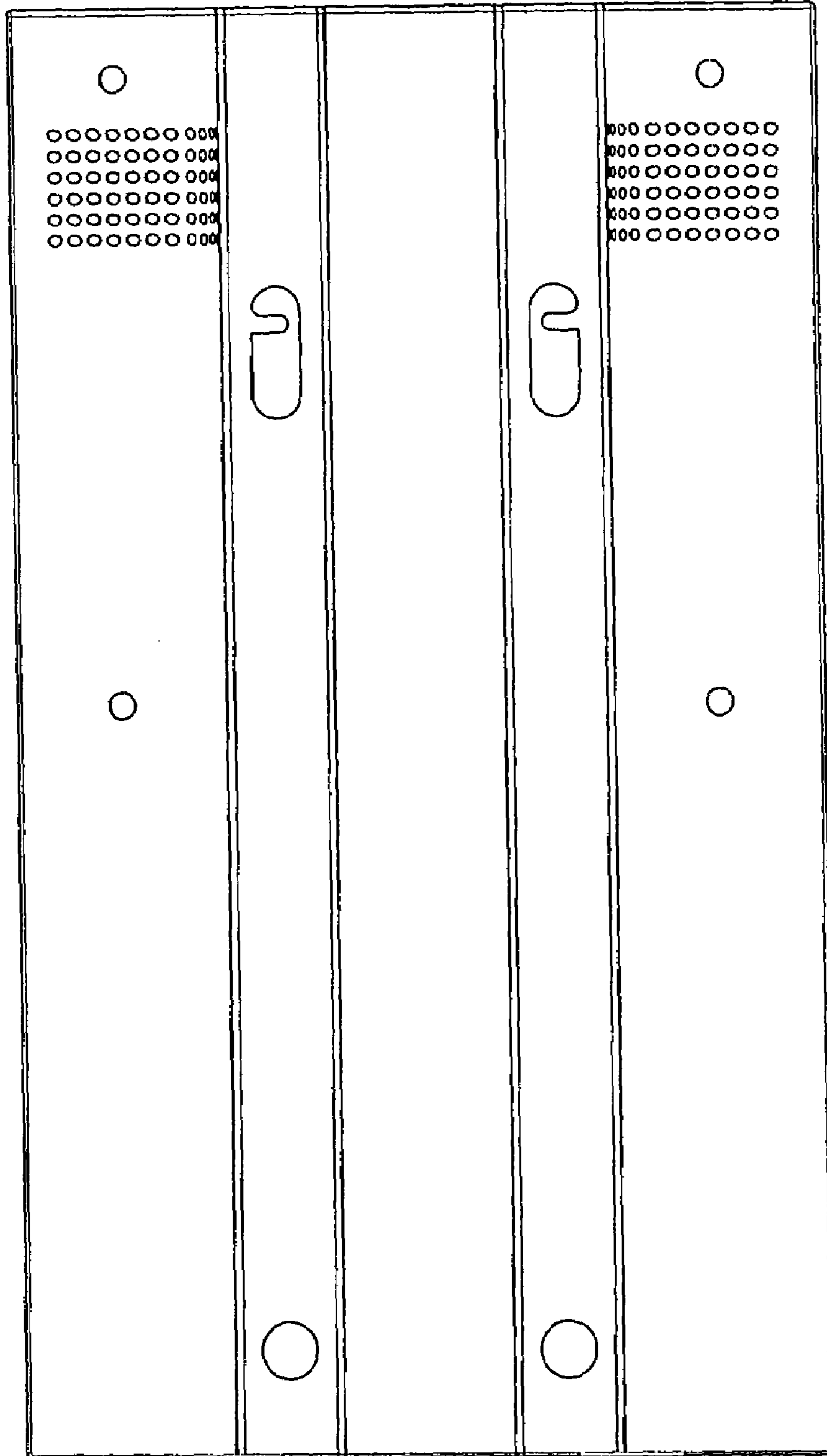


FIG. 4