



US00D563893S

(12) **United States Design Patent**  
**Pujol**

(10) **Patent No.:** **US D563,893 S**  
(45) **Date of Patent:** **\*\* Mar. 11, 2008**

(54) **FRAME FOR A CONTROL TERMINAL**

(75) Inventor: **Antoni Tomasa Pujol**, De Castellet  
(ES)

(73) Assignee: **SPEC, S.A.**, Barcelona (ES)

(\*\*) Term: **14 Years**

(21) Appl. No.: **29/262,259**

(22) Filed: **Jun. 28, 2006**

(30) **Foreign Application Priority Data**

Dec. 28, 2005 (EM) ..... 00456090-0002

(51) **LOC (8) Cl.** ..... **13-03**

(52) **U.S. Cl.** ..... **D13/152**

(58) **Field of Classification Search** ..... D13/139.4,  
D13/152, 156, 184; D8/350, 353; 174/50,  
174/53-55, 58, 60, 66, 67; 220/3.2, 3.3,  
220/3.7-3.9, 241, 242, 244, 315; 439/135,  
439/136, 138, 142, 367, 373, 535, 536, 537,  
439/541, 892, 893

See application file for complete search history.

(56) **References Cited**

**U.S. PATENT DOCUMENTS**

D106,369 S \* 10/1937 Lantz ..... D13/177

D152,936 S \* 3/1949 Bloom ..... D8/400  
D194,977 S \* 4/1963 Carter et al. .... D13/171  
D401,566 S \* 11/1998 Gesmondi et al. .... D13/177  
D414,745 S \* 10/1999 Schmitt ..... D13/152  
D424,408 S \* 5/2000 Garibay et al. .... D8/353  
D424,409 S \* 5/2000 Garibay et al. .... D8/353  
D451,479 S \* 12/2001 Bateson et al. .... D13/152  
D469,339 S \* 1/2003 Luu ..... D8/353  
6,858,802 B2 \* 2/2005 Hagarty et al. .... 174/58

\* cited by examiner

*Primary Examiner*—Cathron Brooks

*Assistant Examiner*—Rosemary K Tarcza

(74) *Attorney, Agent, or Firm*—Klauber & Jackson LLC

(57) **CLAIM**

The ornamental design for frame for a control terminal, as shown.

**DESCRIPTION**

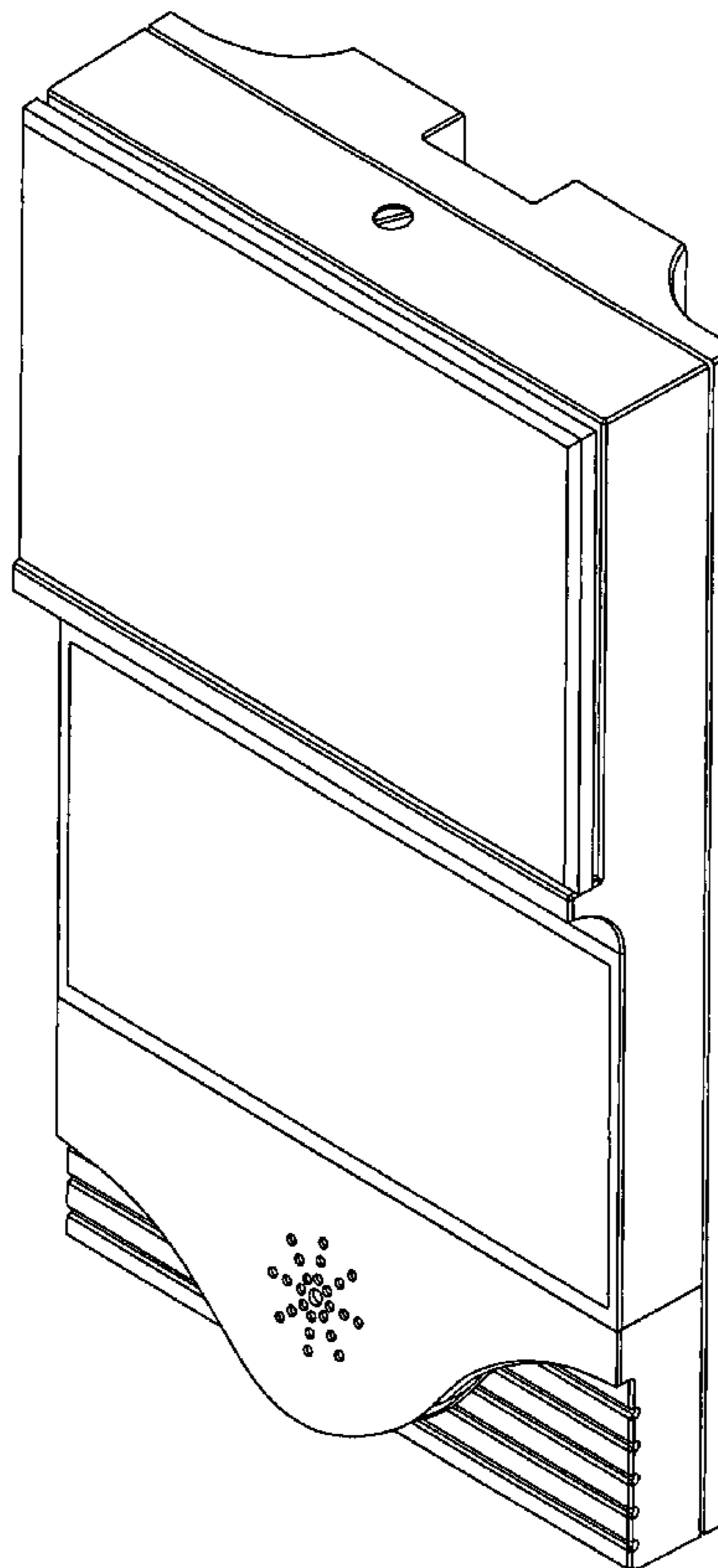
FIG. 1 is a front view of the frame for a control terminal of my new design;

FIG. 2 is a upper left perspective view thereof;

FIG. 3 is a left side view thereof, the right view being the mirror image thereof; and,

FIG. 4 is a rear view thereof.

**1 Claim, 4 Drawing Sheets**



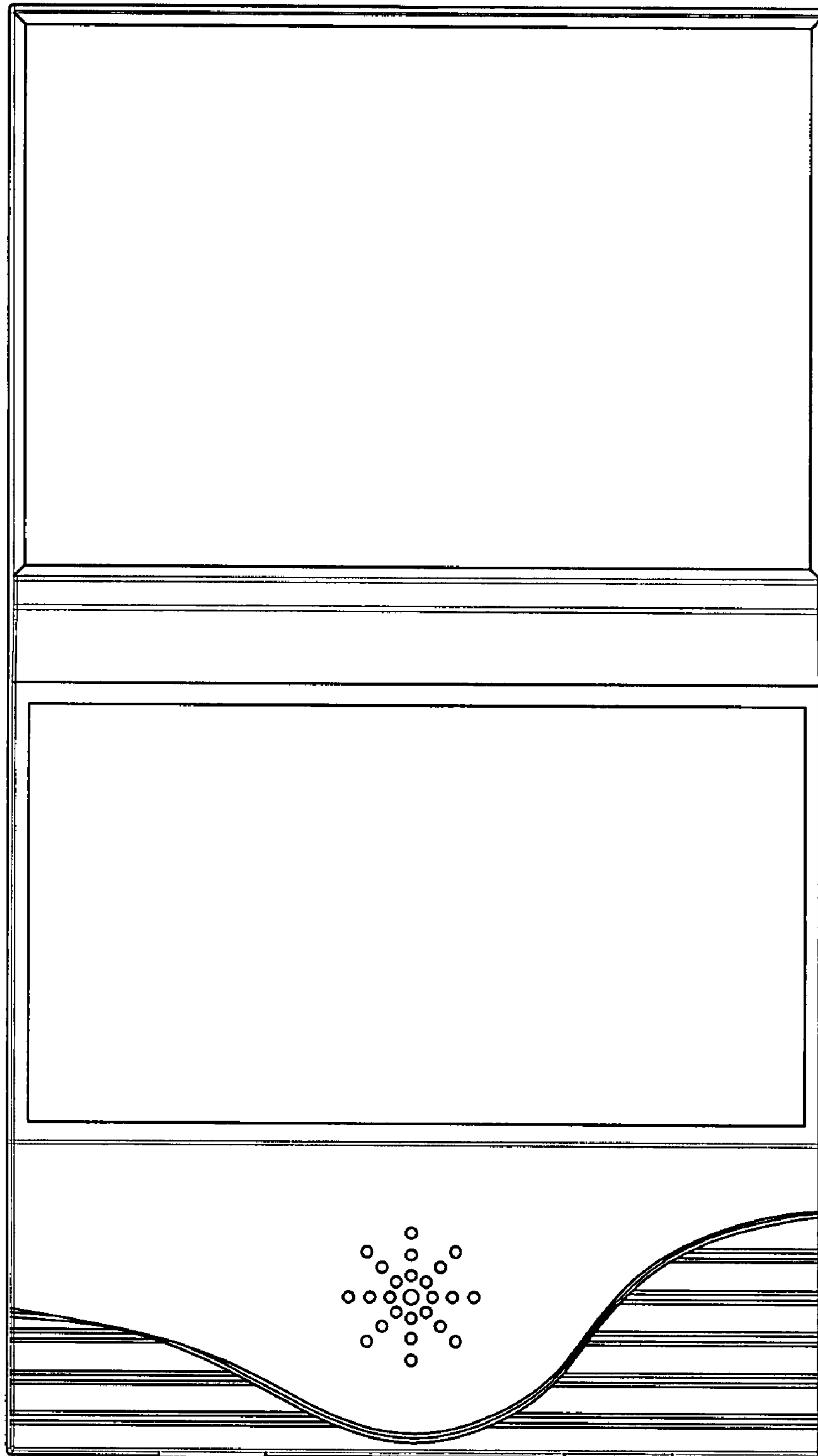


FIG. 1

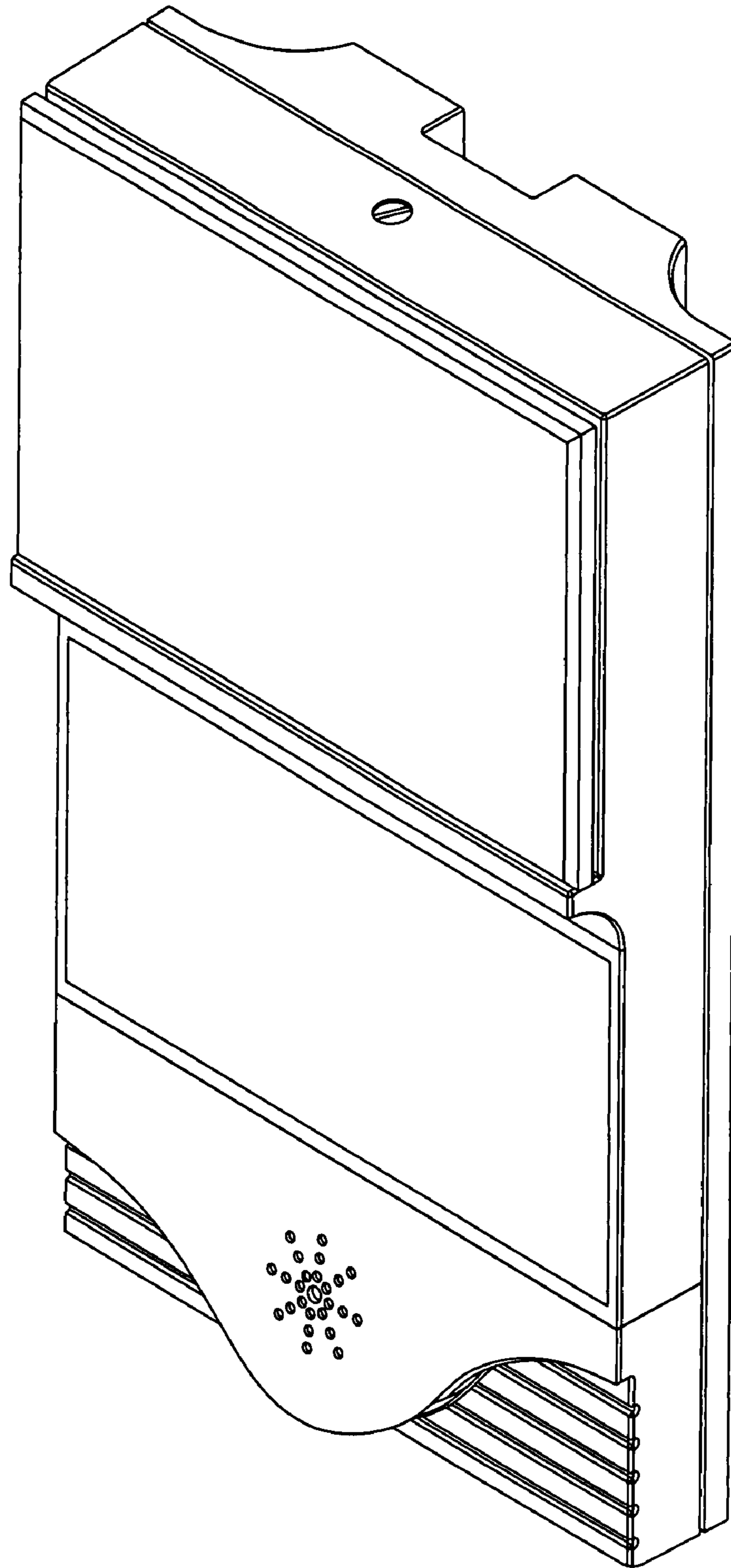


FIG. 2

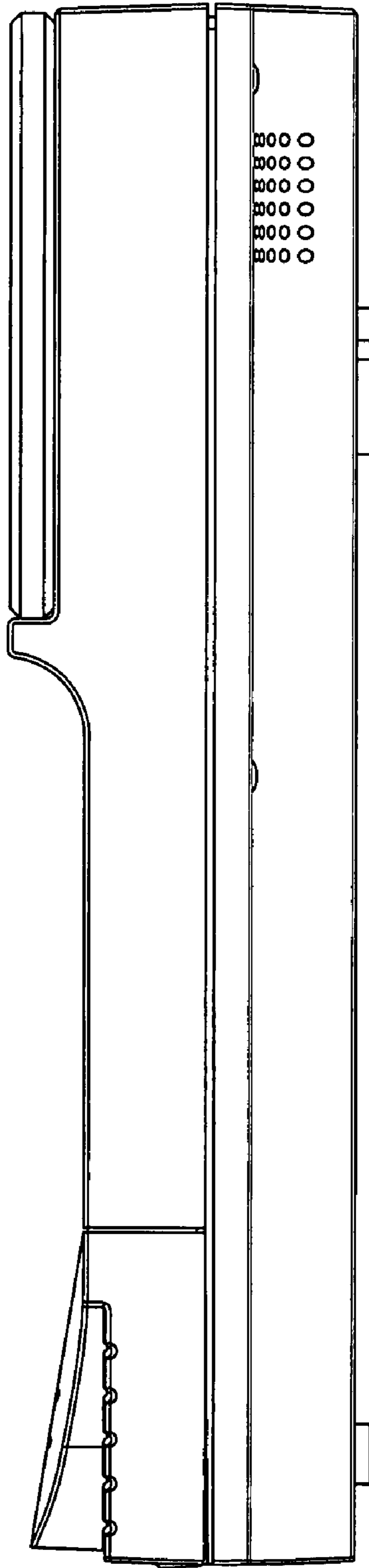


FIG. 3

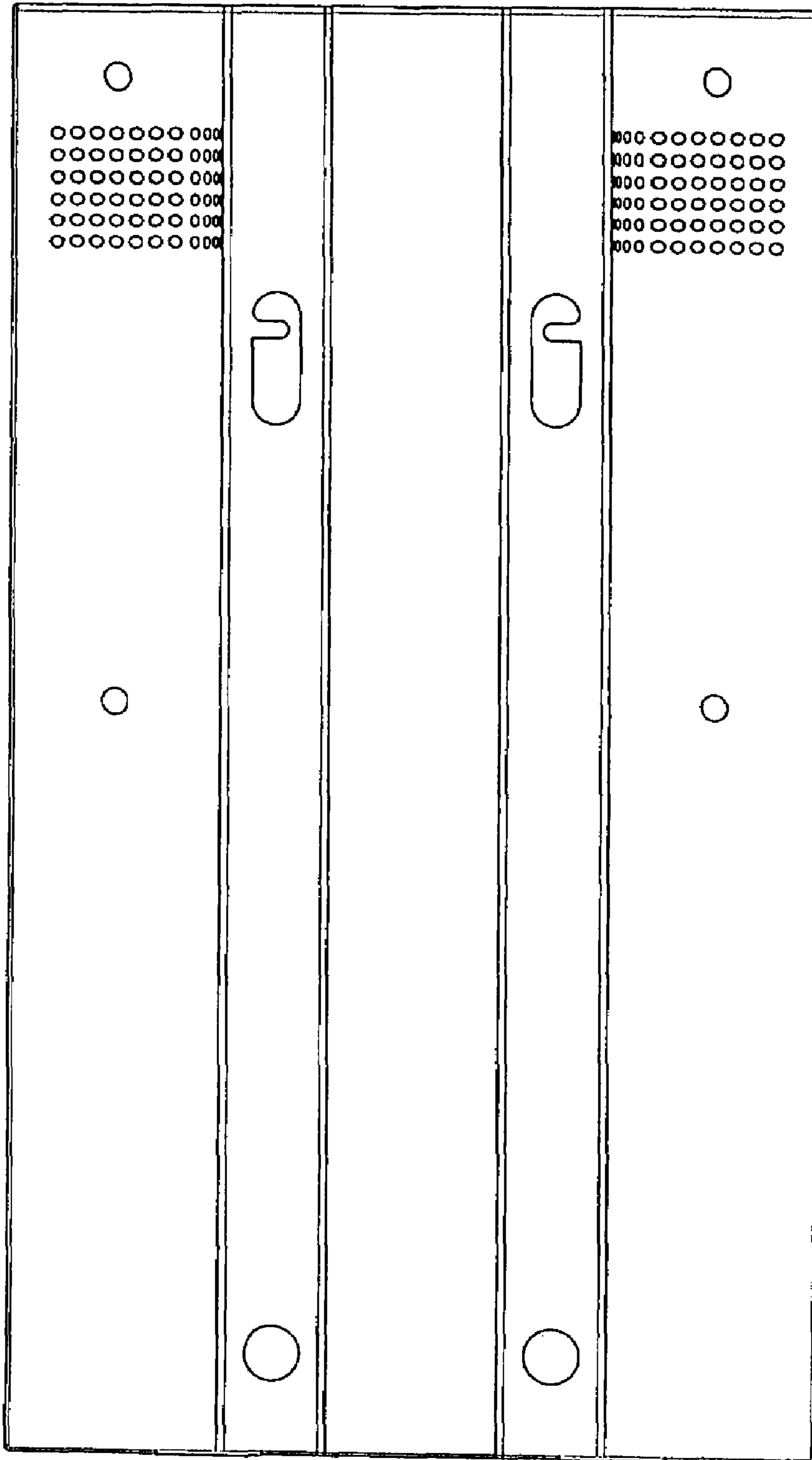


FIG. 4