



US00D563889S

(12) **United States Design Patent**
Higeta et al.

(10) **Patent No.:** **US D563,889 S**
(45) **Date of Patent:** **** Mar. 11, 2008**

(54) **ELECTRIC CONNECTOR**

(75) Inventors: **Takuya Higeta**, Moka (JP); **Tadashi Masubuchi**, Haga-gun (JP); **Yasuyuki Koguchi**, Moka (JP)

(73) Assignee: **DDK Ltd.**, Tokyo (JP)

(**) Term: **14 Years**

(21) Appl. No.: **29/288,014**

(22) Filed: **May 24, 2007**

(30) **Foreign Application Priority Data**

Nov. 28, 2006 (JP) 2006-032449

(51) **LOC (8) Cl.** **13-03**

(52) **U.S. Cl.** **D13/147**

(58) **Field of Classification Search** D13/146-147,
D13/154, 184; D14/432-433, 435-436,
D14/438; 439/64, 79, 159-160, 260, 325,
439/329, 395, 422, 492, 495, 630, 607-610,
439/862

See application file for complete search history.

(56) **References Cited**

U.S. PATENT DOCUMENTS

D434,386 S * 11/2000 Wu D13/147
D455,403 S * 4/2002 Yoneyama et al. D13/147
D501,183 S * 1/2005 Yamane et al. D13/147
D507,533 S * 7/2005 Yoneyama et al. D13/147

D507,534 S * 7/2005 Takahiro D13/147
D517,995 S * 3/2006 Nakamura et al. D13/147
D524,752 S * 7/2006 Nakamura et al. D13/147
D541,750 S * 5/2007 Yoshikai D13/147

* cited by examiner

Primary Examiner—Daniel Bui

(74) *Attorney, Agent, or Firm*—Sughrue Mion, PLLC; Pavel I. Pogodin

(57) **CLAIM**

The ornamental design for an electric connector, as shown and described.

DESCRIPTION

FIG. 1 is a first perspective view of an electric connector showing our new design;

FIG. 2 is a second perspective view thereof;

FIG. 3 is a third perspective view thereof;

FIG. 4 is a fourth perspective view thereof;

FIG. 5 is a front view thereof;

FIG. 6 is a rear view thereof;

FIG. 7 is a left side view thereof;

FIG. 8 is a right side view thereof;

FIG. 9 is a top plan view thereof; and,

FIG. 10 is a bottom plan view thereof.

1 Claim, 4 Drawing Sheets

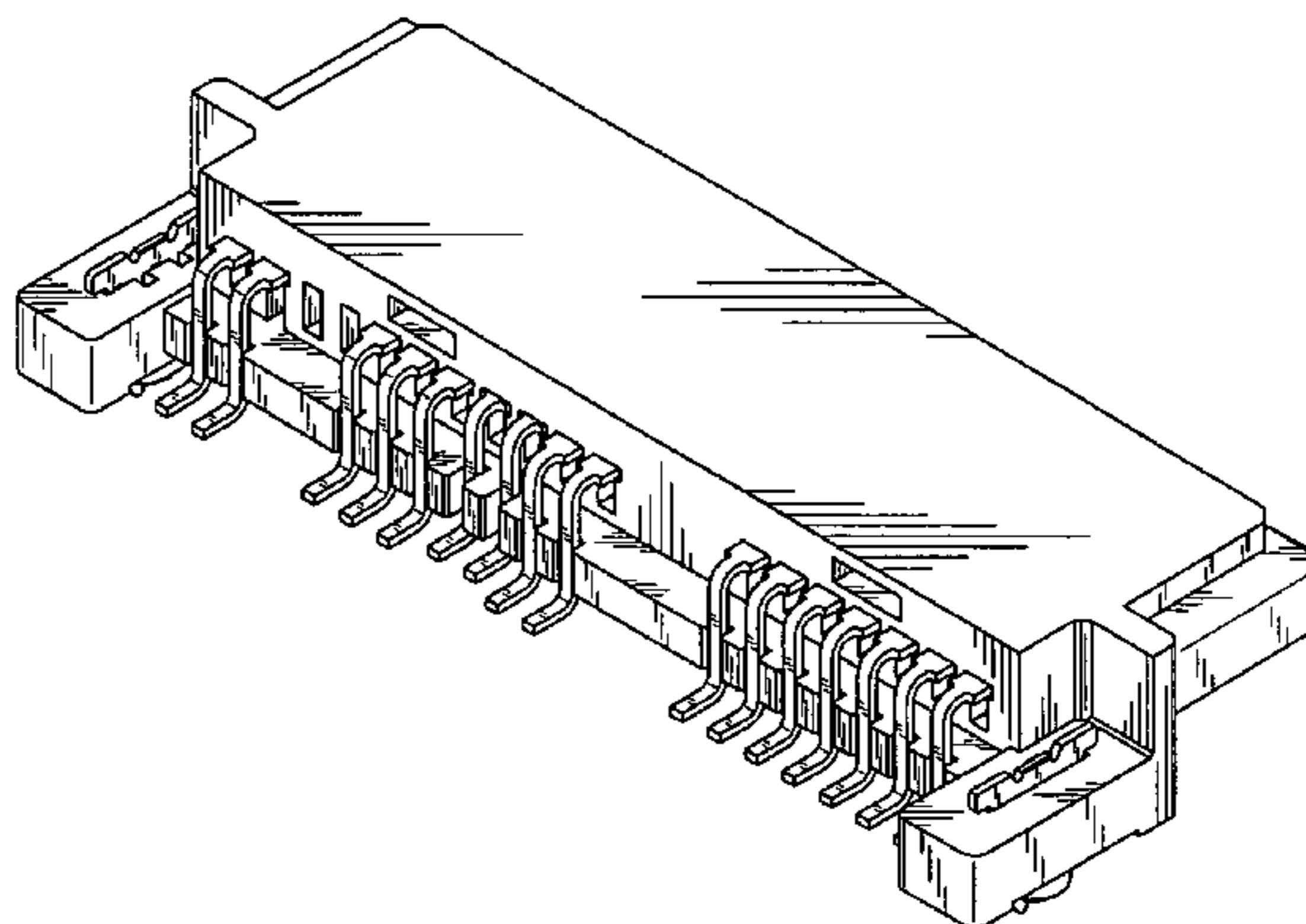
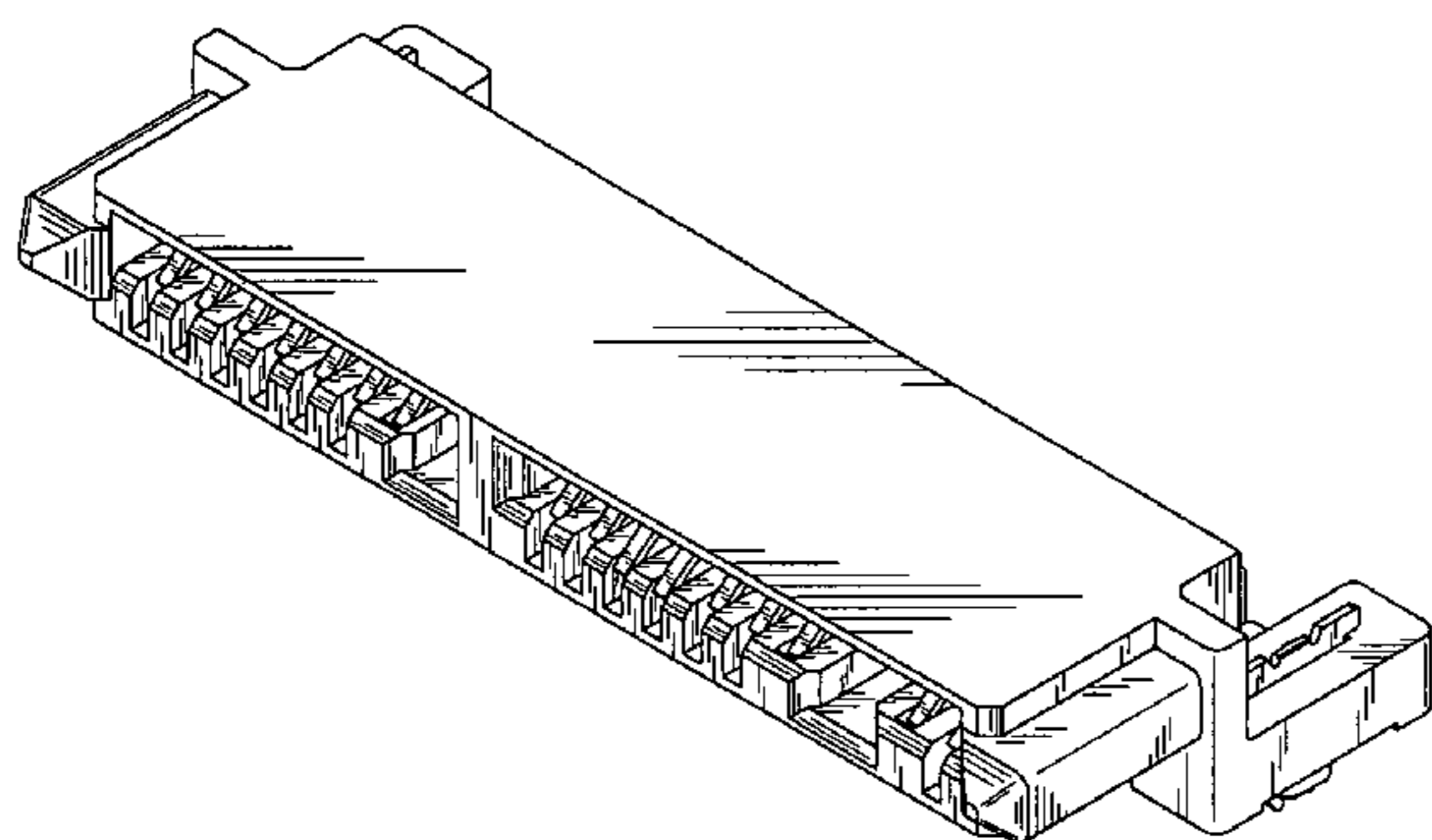


Fig.1

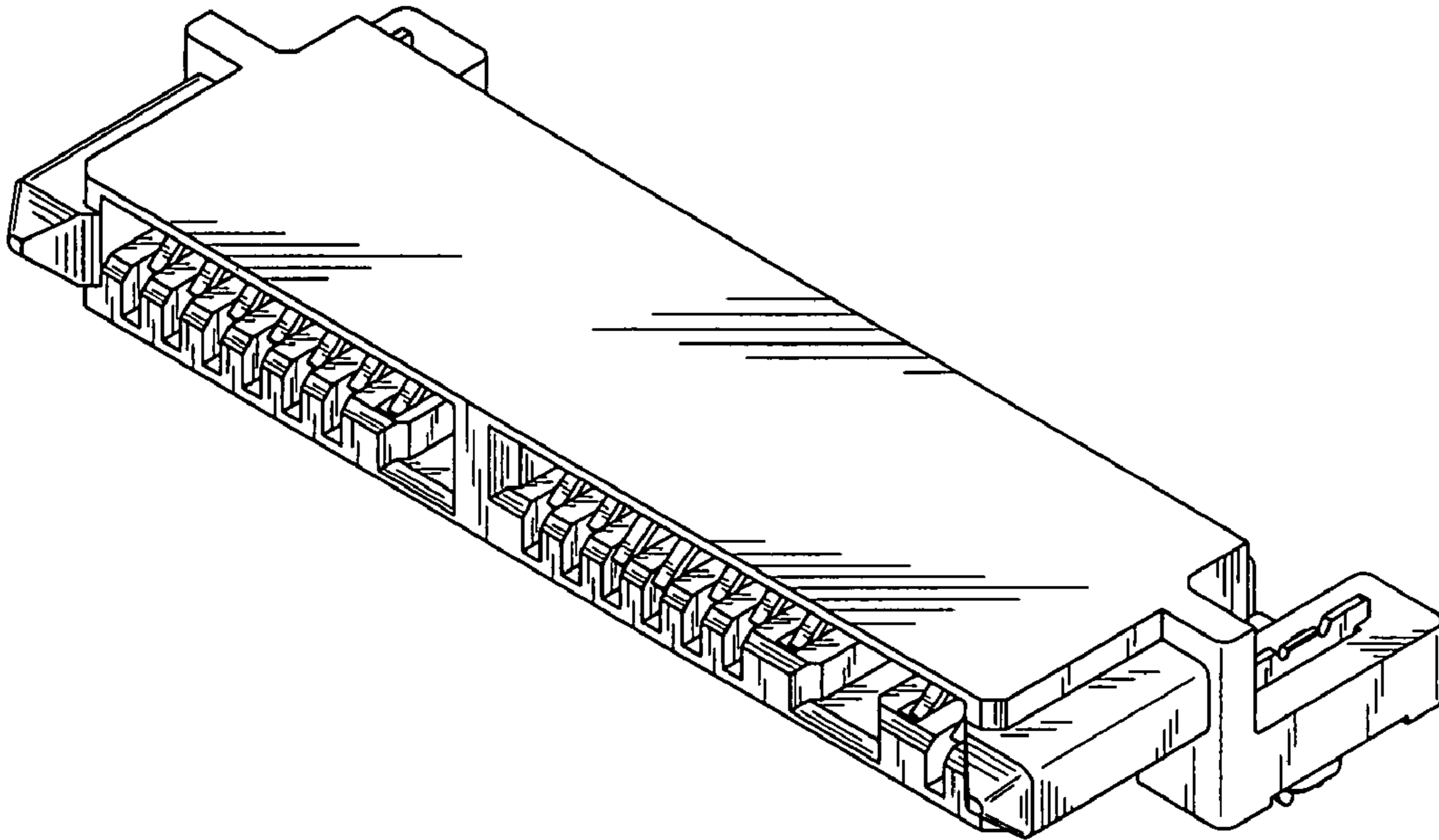


Fig.2

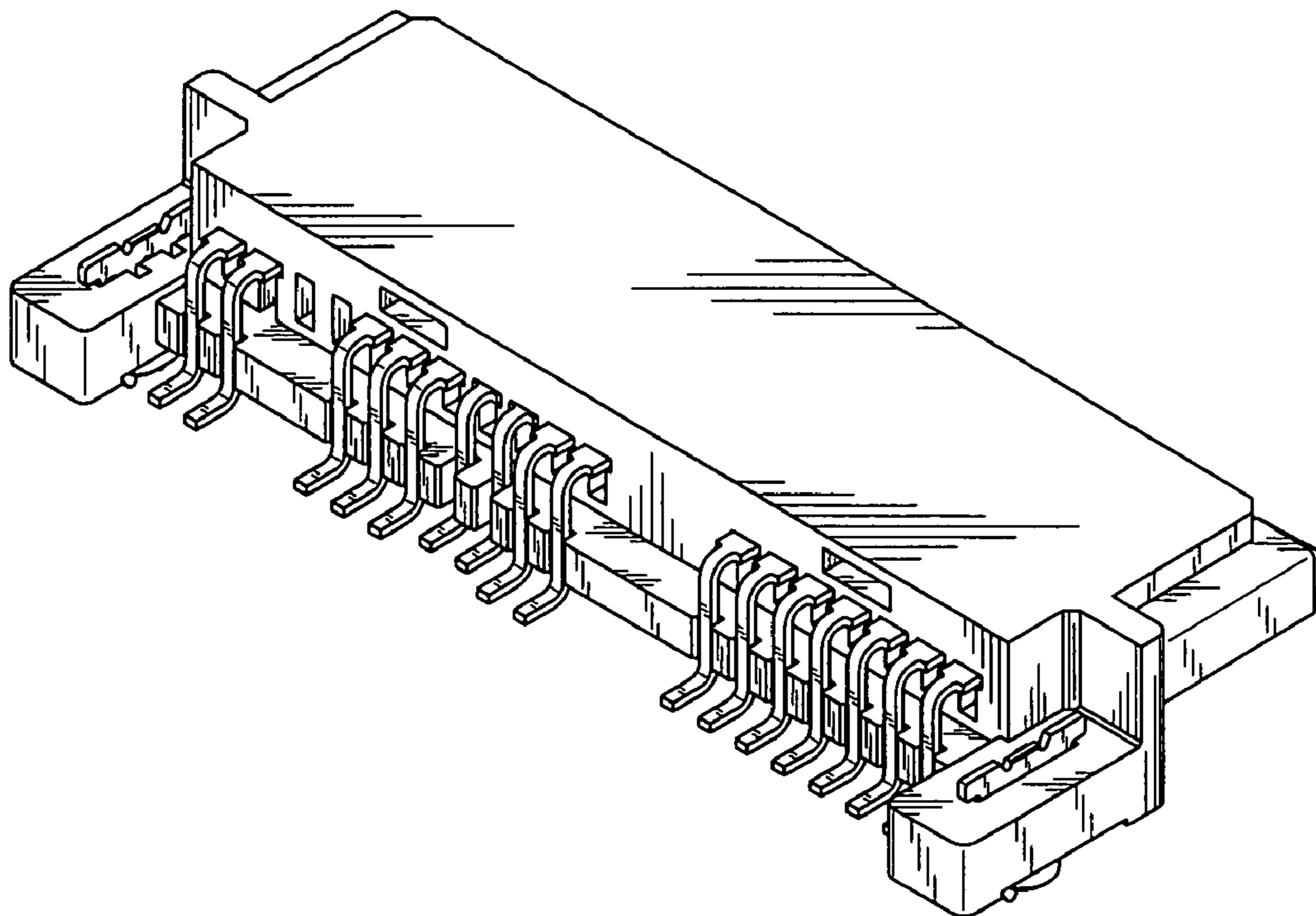


Fig.3

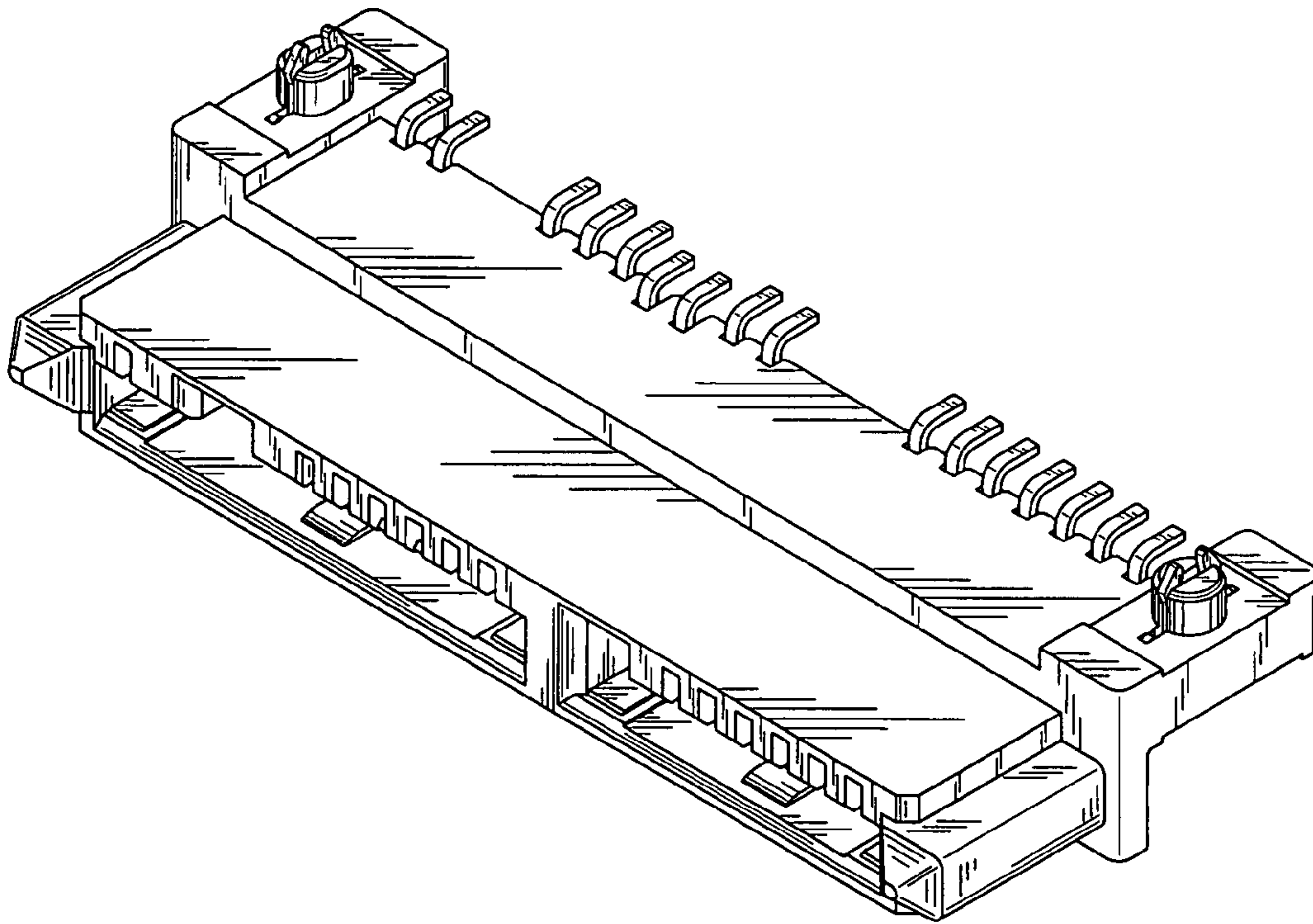


Fig.4

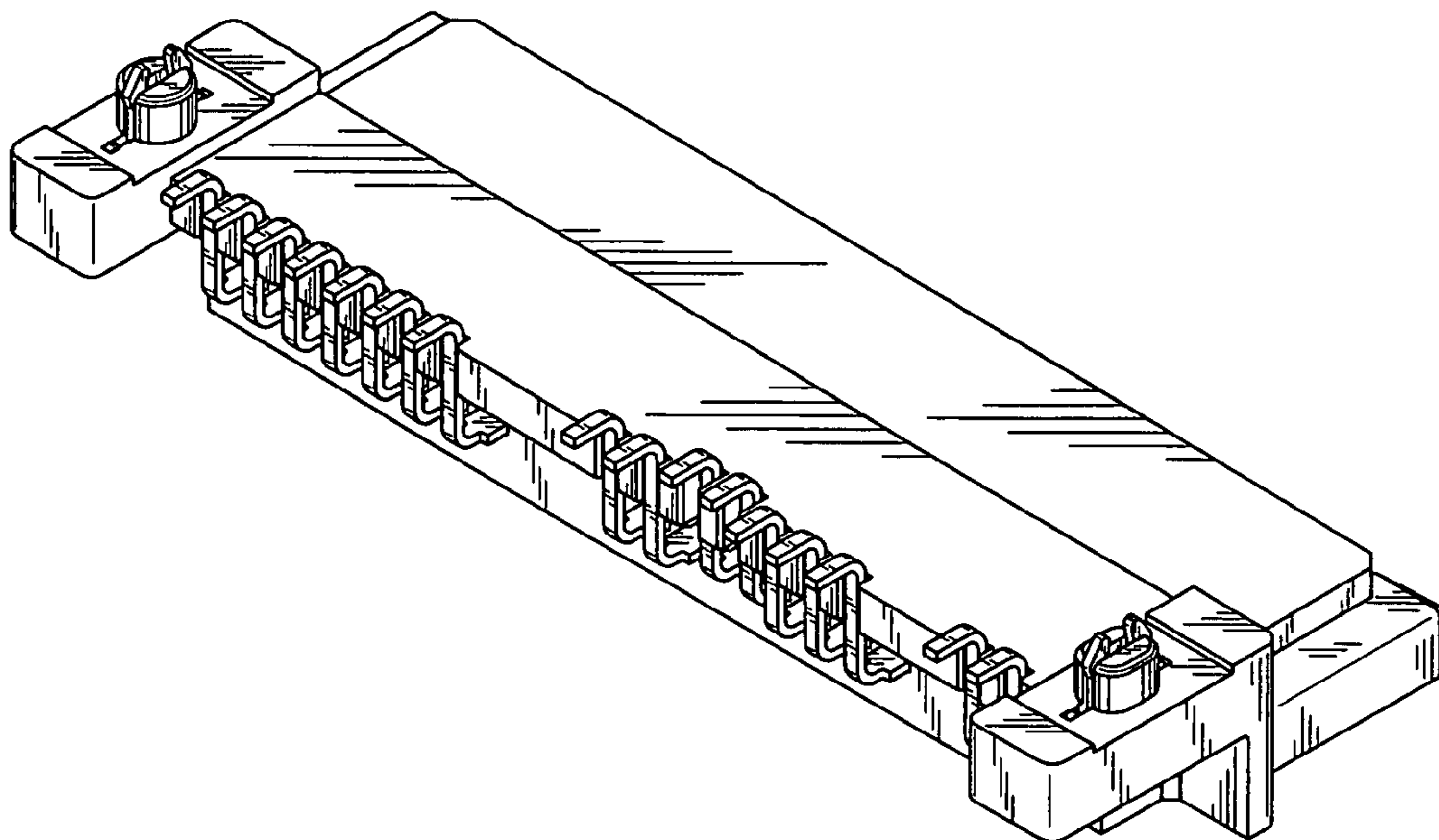


Fig.5

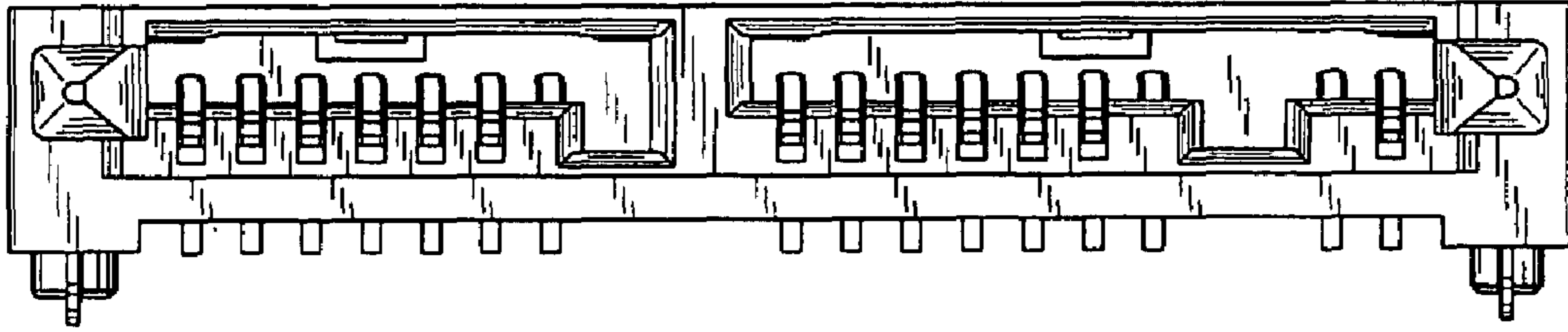


Fig.6

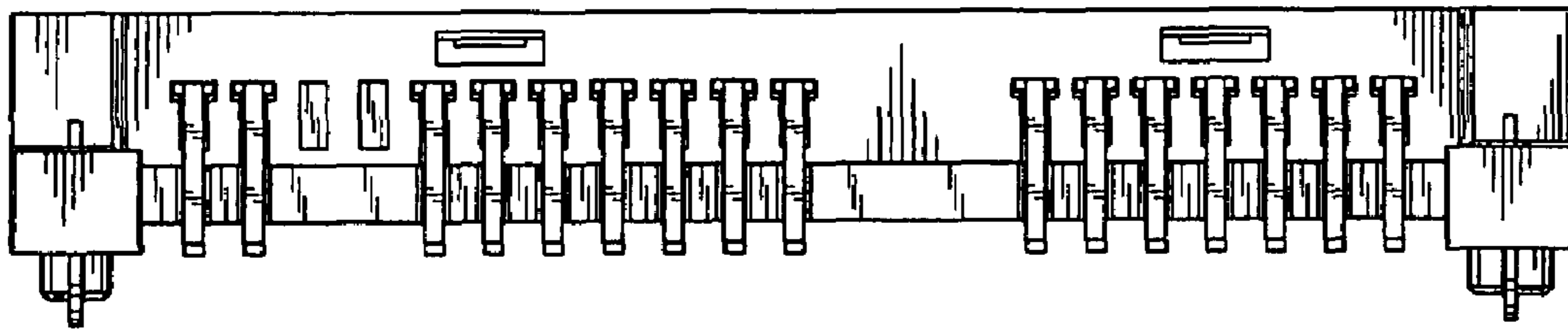


Fig.7

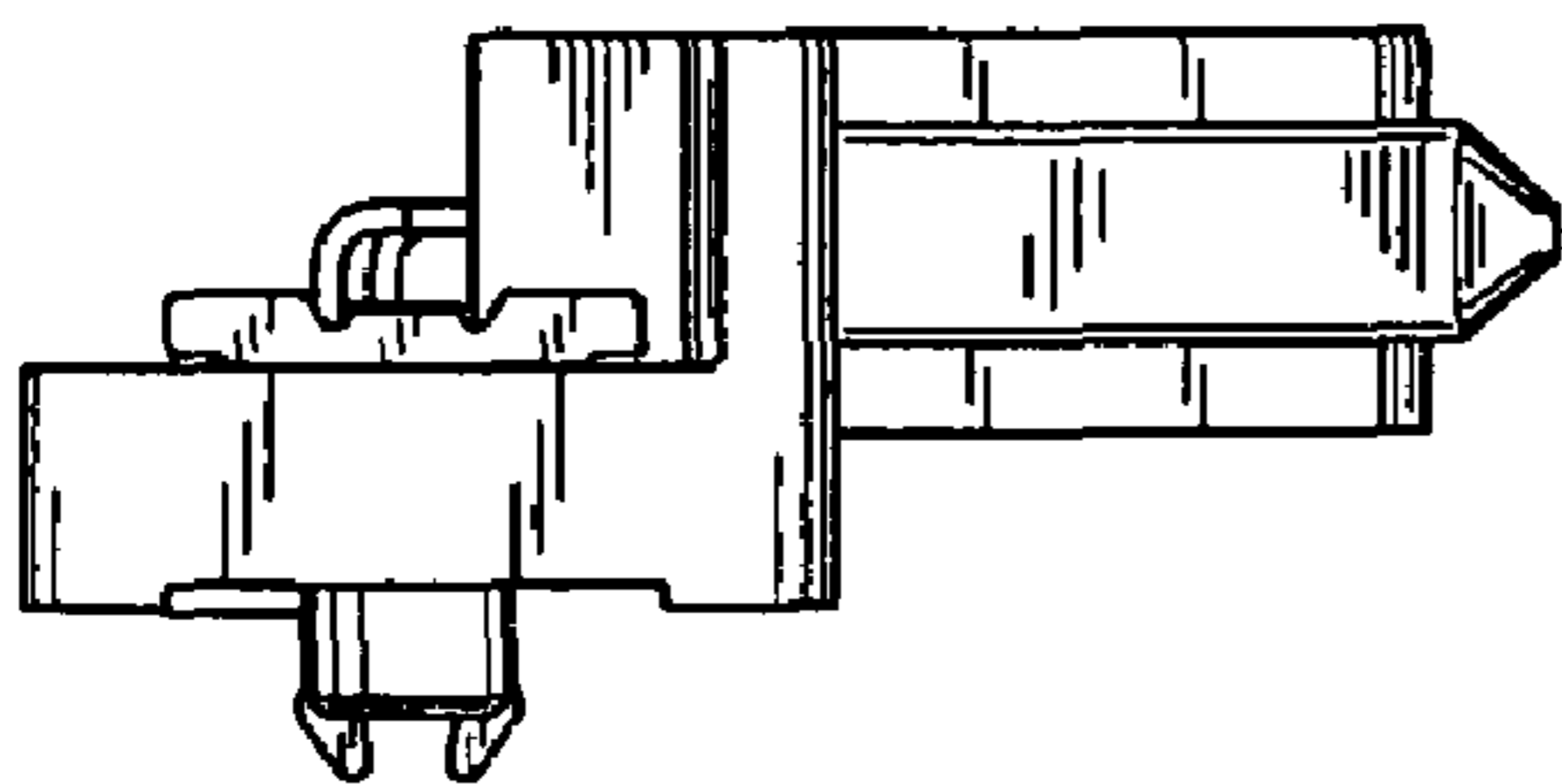


Fig.8

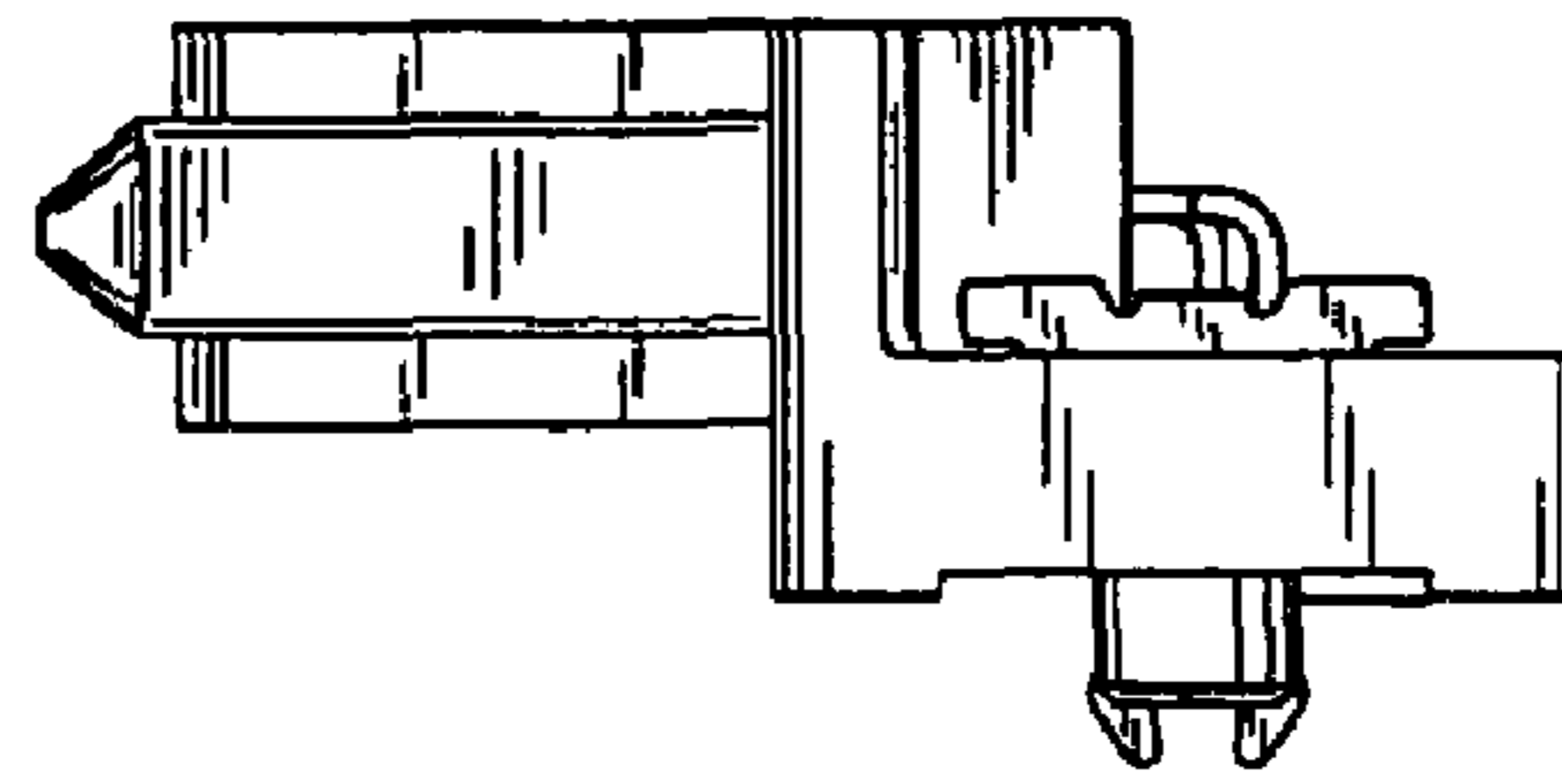


Fig.9

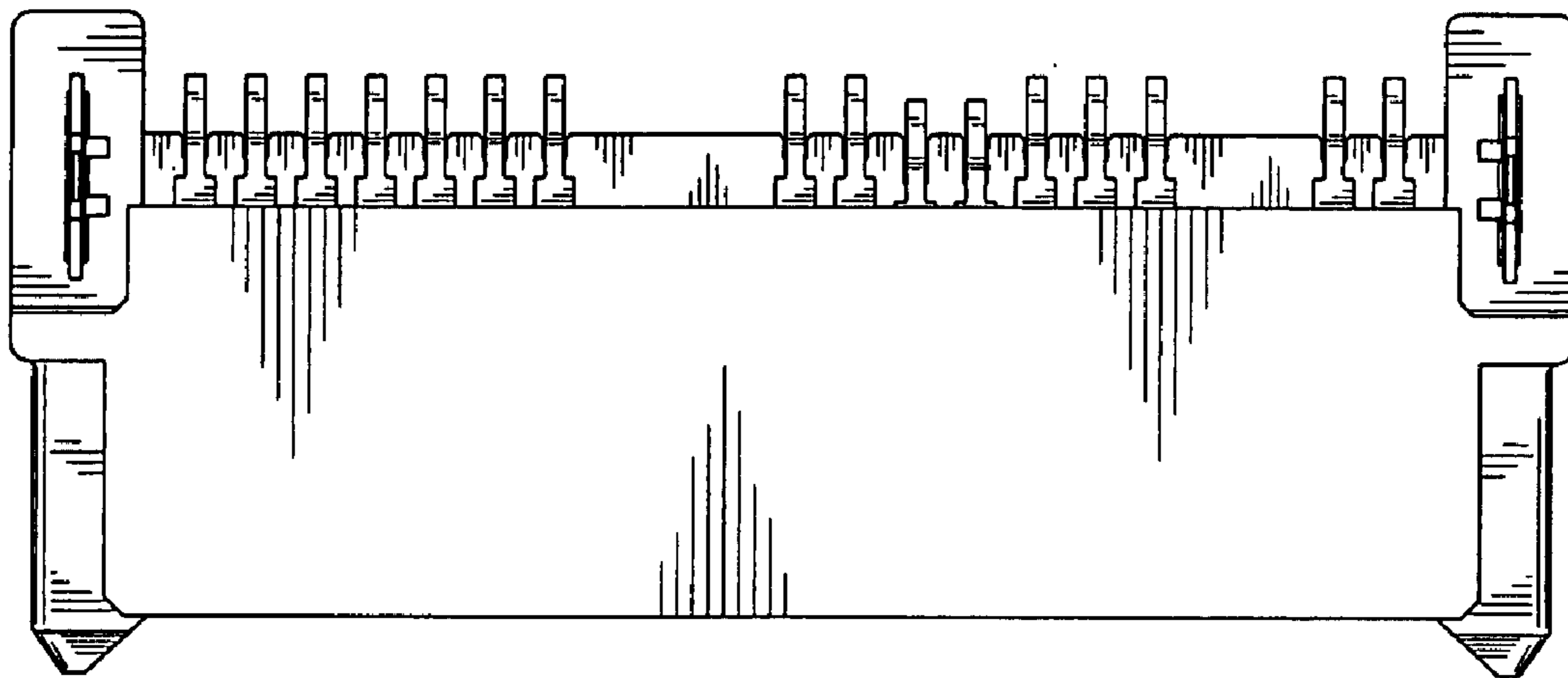


Fig.10

