



US00D563887S

(12) **United States Design Patent**  
**Dever**

(10) **Patent No.:** **US D563,887 S**

(45) **Date of Patent:** **\*\* Mar. 11, 2008**

(54) **ELECTRICAL CONNECTOR**

5,163,851 A \* 11/1992 Hart et al. .... 439/567  
5,190,481 A \* 3/1993 Ju ..... 439/654

(75) Inventor: **Neil Patrick Dever**, Phoenix, AZ (US)

(Continued)

(73) Assignee: **AirBorn, Inc.**, Addison, TX (US)

**OTHER PUBLICATIONS**

(\*\*) Term: **14 Years**

“Detail Specification Sheet” MIL-DTL-32139/1, Dec. 16, 2003, pp. 1-5.

(21) Appl. No.: **29/284,990**

(Continued)

(22) Filed: **Sep. 19, 2007**

*Primary Examiner*—Daniel Bui

(51) **LOC (8) Cl.** ..... **13-03**

(52) **U.S. Cl.** ..... **D13/147**

(58) **Field of Classification Search** ..... D13/133,  
D13/146–147, 154, 184, 199; 439/344, 378,  
439/395, 409, 607–610, 676

(74) *Attorney, Agent, or Firm*—Locke Lord Bissell & Liddell, LLP

See application file for complete search history.

(57) **CLAIM**

The ornamental design for an electrical connector, as shown and described.

(56) **References Cited**

**DESCRIPTION**

**U.S. PATENT DOCUMENTS**

D269,673 S *	7/1983	Johansson et al. ....	D13/147
D274,719 S *	7/1984	Casciotti et al. ....	D13/147
D275,850 S *	10/1984	Wilson .....	D13/147
D299,715 S *	2/1989	Stowers et al. ....	D13/147
4,824,398 A *	4/1989	Taylor .....	439/557
D305,224 S *	12/1989	Iwashita .....	D13/147
4,889,502 A *	12/1989	Althouse et al. ....	439/607
4,906,201 A *	3/1990	Young et al. ....	439/108
4,998,892 A *	3/1991	Shiley .....	439/381
D319,431 S *	8/1991	Constien .....	D13/184
D328,595 S *	8/1992	Lou .....	D14/438
D330,704 S *	11/1992	Wagner .....	D14/242

FIG. 1 is a front perspective view of an electrical connector showing my new design;

FIG. 2 is a bottom plan view thereof;

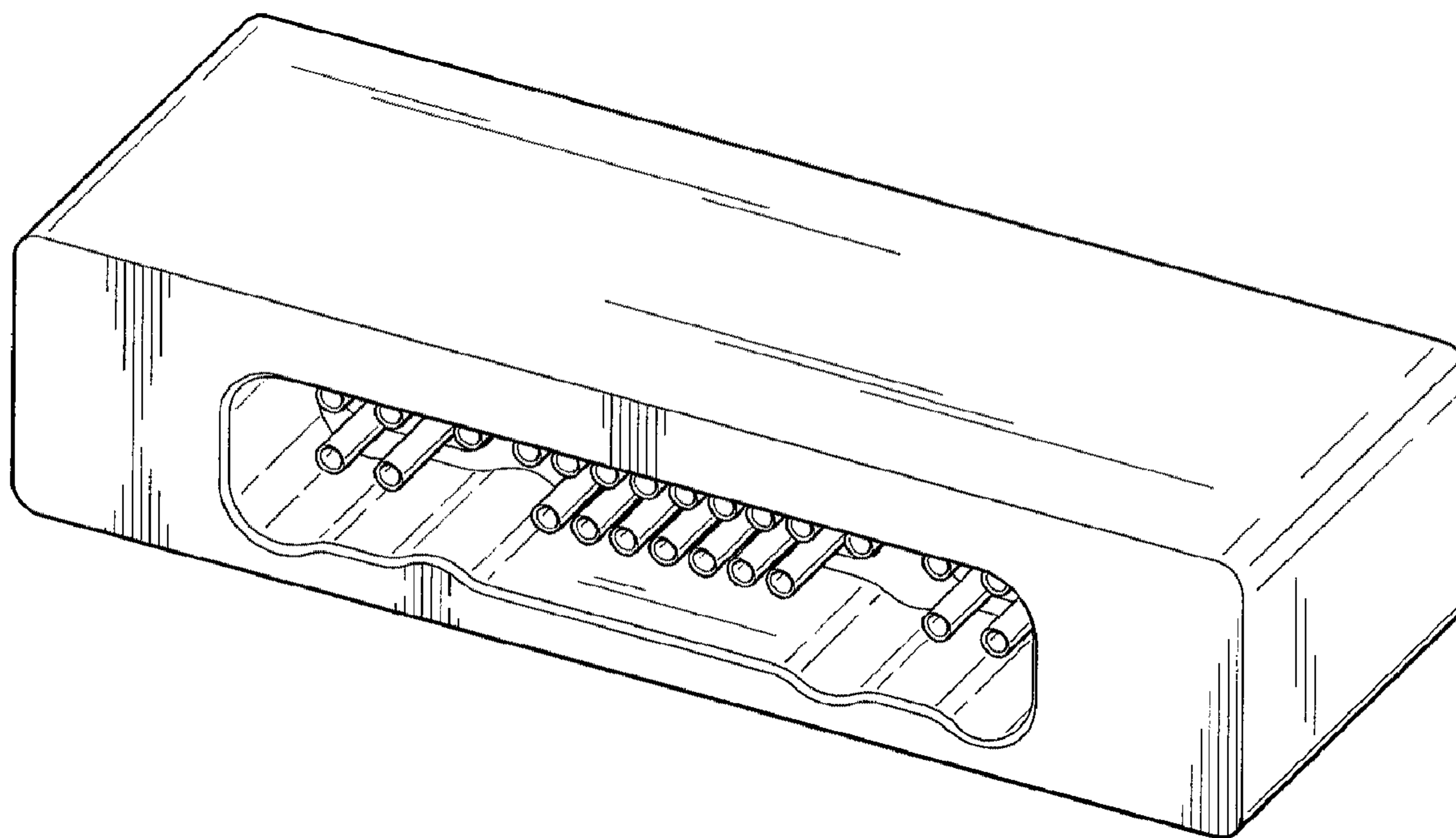
FIG. 3 is a front elevational view thereof;

FIG. 4 is a rear elevational view thereof; and,

FIG. 5 is a side elevational view thereof.

The broken line showing of the environment is for illustrative purposes only and forms no part of the claimed design.

**1 Claim, 2 Drawing Sheets**



# US D563,887 S

Page 2

## U.S. PATENT DOCUMENTS

D344,491 S \* 2/1994 Nakamura ..... D13/147  
D349,100 S \* 7/1994 Lo ..... D13/147  
D361,989 S \* 9/1995 Cox ..... D14/433  
D377,336 S \* 1/1997 Tan et al. .... D13/147  
D403,303 S 12/1998 Lai et al.  
D407,376 S \* 3/1999 Copeland et al. .... D13/153  
D408,789 S 4/1999 Middlehurst et al.  
D409,572 S \* 5/1999 van Putten ..... D13/147  
D411,513 S \* 6/1999 Wu et al. .... D13/147  
D412,489 S \* 8/1999 Middlehurst et al. .... D13/147  
D414,162 S \* 9/1999 Huang ..... D13/147  
D414,465 S \* 9/1999 Hsu et al. .... D13/147  
D420,645 S 2/2000 Chang et al.  
D420,978 S \* 2/2000 Chang ..... D13/146  
D420,979 S \* 2/2000 Chang ..... D13/146  
D434,728 S 12/2000 Huang  
D435,245 S 12/2000 Hwang  
D435,519 S \* 12/2000 Lee ..... D13/147  
D440,205 S \* 4/2001 Lord ..... D13/147  
6,319,963 B1 11/2001 Coates et al.  
D451,476 S \* 12/2001 Wang et al. .... D13/147  
D452,961 S \* 1/2002 Zheng et al. .... D13/147

D453,500 S 2/2002 Nakatomi  
D458,901 S \* 6/2002 Larsen et al. .... D13/147  
D460,945 S \* 7/2002 Wang ..... D13/147  
D468,266 S \* 1/2003 Huang ..... D13/147  
D468,693 S 1/2003 Kuo  
D474,449 S \* 5/2003 Rosander ..... D13/147  
D488,132 S 4/2004 Tanaka  
D502,685 S 3/2005 Shimojo  
D505,116 S 5/2005 Tanaka  
D506,727 S 6/2005 Taguchi  
D508,464 S 8/2005 Tanaka  
6,932,646 B2 8/2005 Sloey  
D517,994 S 3/2006 Zhang et al.  
D543,508 S 5/2007 Dever  
D549,659 S 8/2007 Dever  
2001/0031579 A1\* 10/2001 Fujino et al. .... 439/610

## OTHER PUBLICATIONS

“Detail Specification Sheet” MIL-DTL-32139/3, Dec. 16, 2003, pp. 1-5.  
AirBorn, Inc., AirBorn Interconnect Solutions, Nano Miniature Series, May 2007.

\* cited by examiner

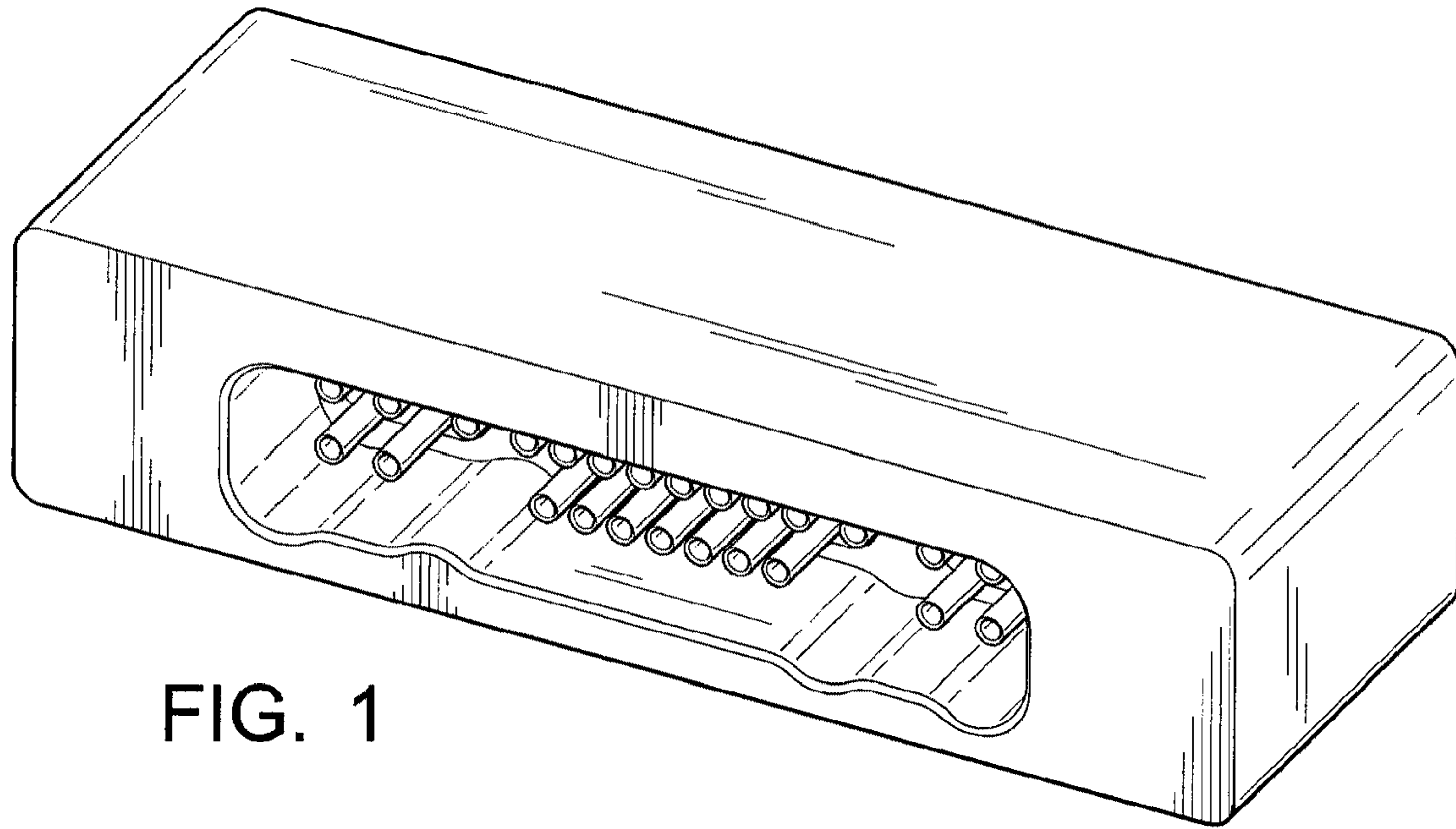


FIG. 1

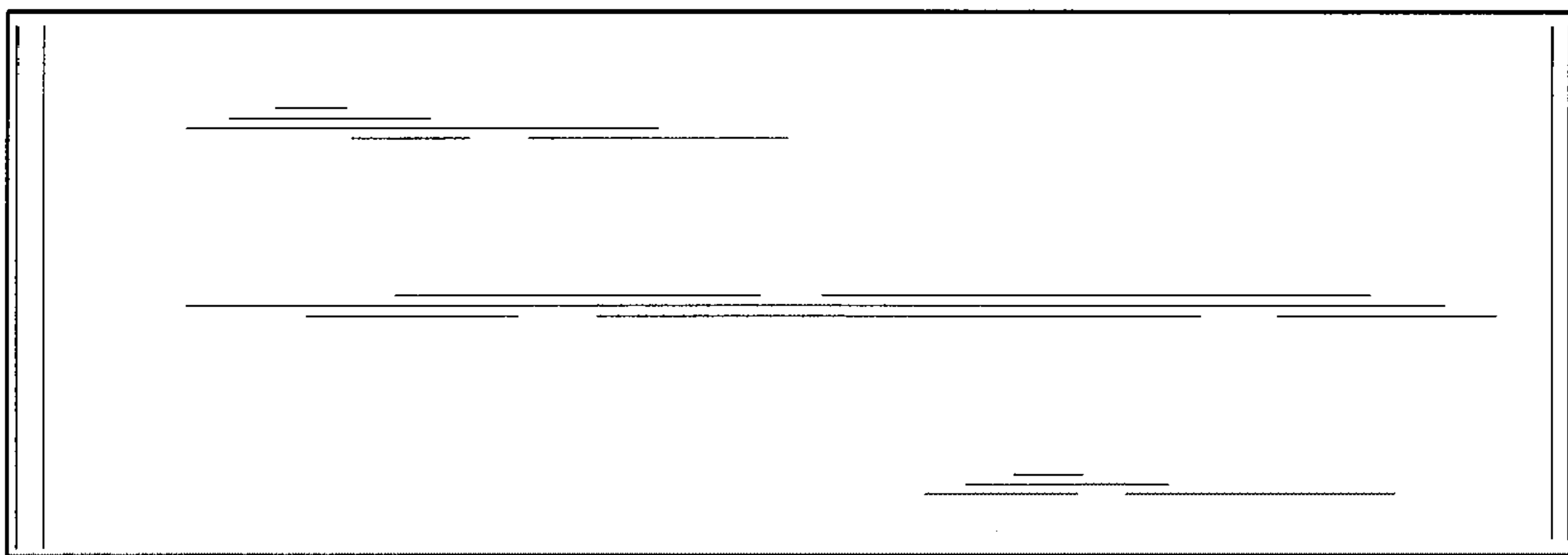


FIG. 2

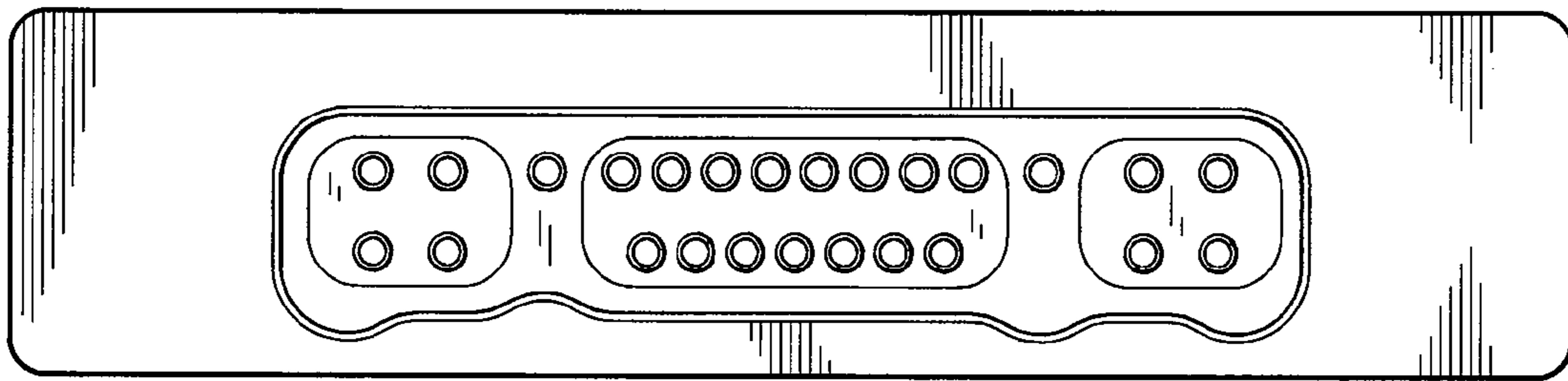


FIG. 3

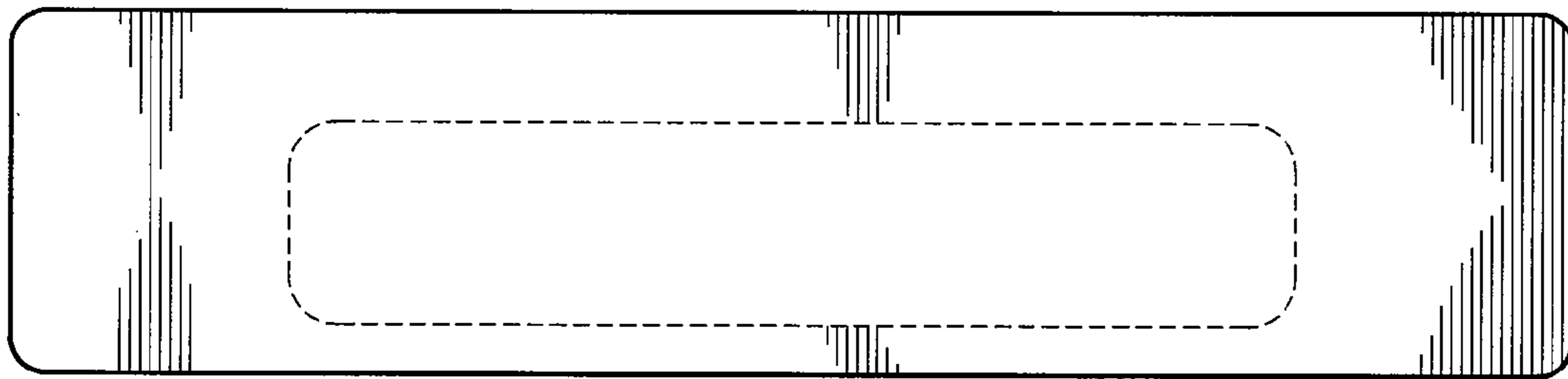


FIG. 4

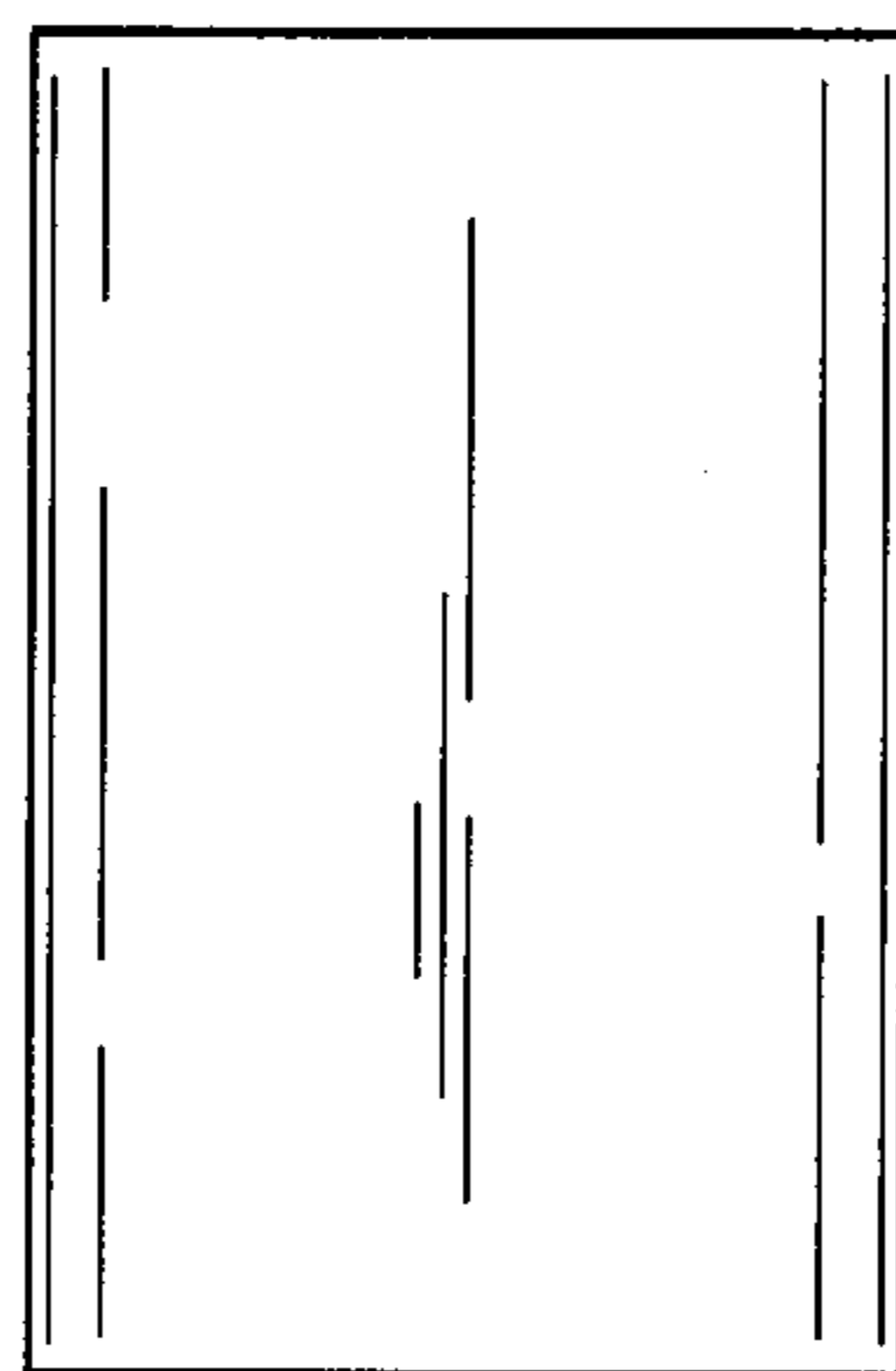


FIG. 5