

US00D563886S

(12) **United States Design Patent**
Dever

(10) **Patent No.:** **US D563,886 S**
(45) **Date of Patent:** **** Mar. 11, 2008**

(54) **ELECTRICAL CONNECTOR**

(75) Inventor: **Neil Patrick Dever**, Phoenix, AZ (US)

(73) Assignee: **AirBorn, Inc.**, Addison, TX (US)

(**) Term: **14 Years**

(21) Appl. No.: **29/284,988**

(22) Filed: **Sep. 19, 2007**

(51) **LOC (8) Cl.** **13-03**

(52) **U.S. Cl.** **D13/147**

(58) **Field of Classification Search** D13/133,
D13/146-147, 154, 184, 199; 439/344, 378,
439/395, 409, 607-610, 676

See application file for complete search history.

(56) **References Cited**

U.S. PATENT DOCUMENTS

D235,552 S	6/1975	Derr et al.	
D252,082 S	6/1979	Voelkert	
4,158,473 A	6/1979	Shearer	
4,179,179 A	12/1979	Lowden	
D269,673 S *	7/1983	Johansson et al.	D13/147
D270,246 S	8/1983	Freimuth	
D274,719 S *	7/1984	Casciotti et al.	D13/147
D275,850 S *	10/1984	Wilson	D13/147
D299,715 S *	2/1989	Stowers et al.	D13/147
4,824,398 A *	4/1989	Taylor	439/557
D305,224 S *	12/1989	Iwashita	D13/147
4,889,502 A *	12/1989	Althouse et al.	439/607
4,906,201 A *	3/1990	Young et al.	439/108
D308,511 S	6/1990	Makita et al.	
4,998,892 A *	3/1991	Shiley	439/381
D319,431 S *	8/1991	Constien	D13/184
D319,625 S	9/1991	Nagasaka et al.	
D328,595 S *	8/1992	Lou	D14/438
D330,704 S *	11/1992	Wagner	D14/242
5,163,851 A *	11/1992	Hart et al.	439/567
5,190,481 A *	3/1993	Ju	439/654
D344,491 S *	2/1994	Nakamura	D13/147
D349,100 S *	7/1994	Lo	D13/147
D361,989 S *	9/1995	Cox	D14/433
D377,336 S *	1/1997	Tan et al.	D13/147

D403,303 S	12/1998	Lai et al.	
D407,376 S *	3/1999	Copeland et al.	D13/153
D408,789 S	4/1999	Middlehurst et al.	
D409,572 S *	5/1999	van Putten	D13/147
D411,513 S *	6/1999	Wu et al.	D13/147
D412,489 S *	8/1999	Middlehurst et al.	D13/147
D414,162 S *	9/1999	Huang	D13/147
D414,465 S *	9/1999	Hsu et al.	D13/147
D420,645 S	2/2000	Chang et al.	

(Continued)

OTHER PUBLICATIONS

“Detail Specification Sheet” MIL-DTL-32139/1, Dec. 16, 2003, pp. 1-5.

(Continued)

Primary Examiner—Daniel Bui
(74) *Attorney, Agent, or Firm*—Locke Lord Bissell & Liddell, LLP

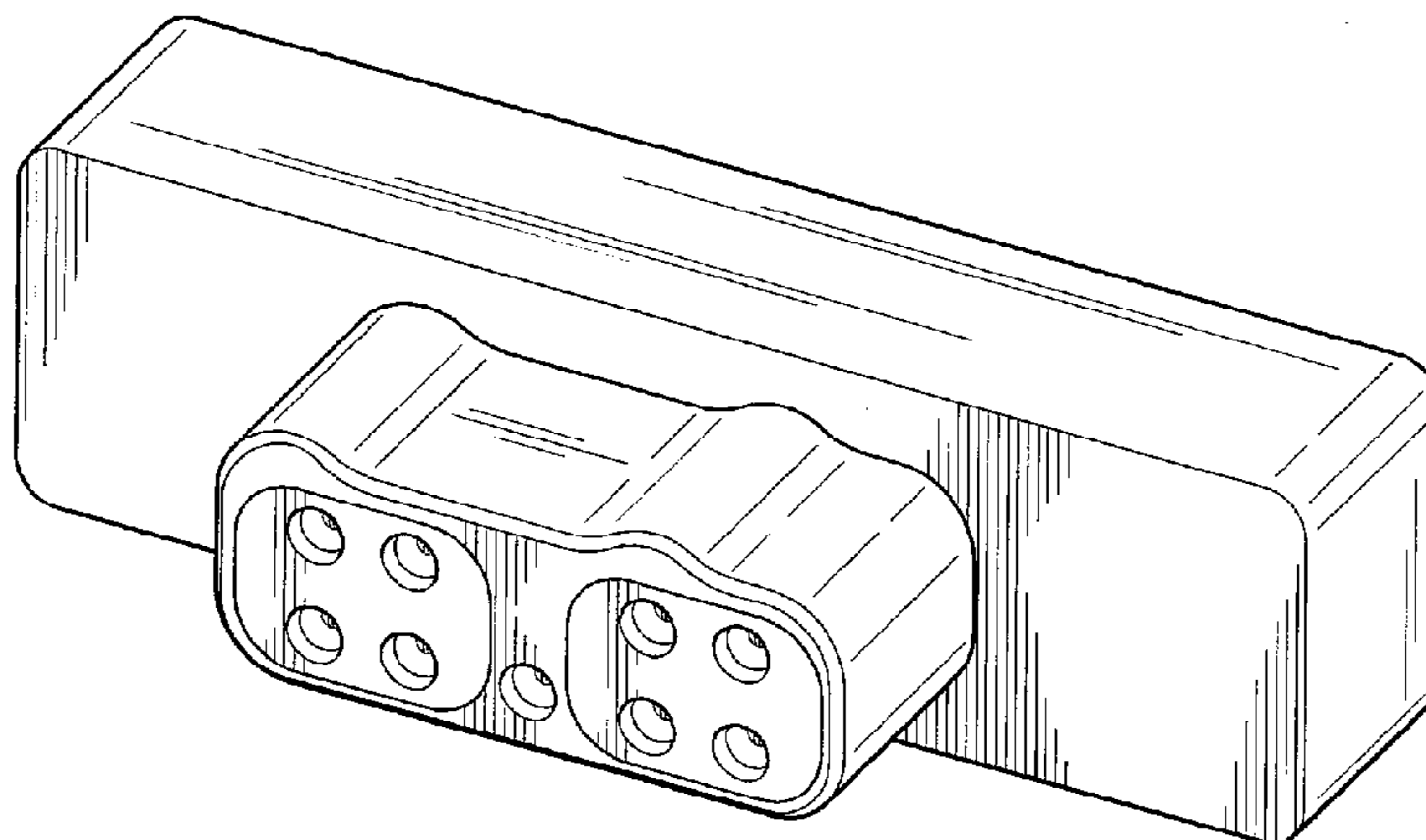
(57) **CLAIM**

The ornamental design for an electrical connector, as shown and described.

DESCRIPTION

FIG. 1 is a front perspective view of an electrical connector showing my new design;
FIG. 2 is a top plan view thereof;
FIG. 3 is a front elevational view thereof;
FIG. 4 is a bottom plan view thereof;
FIG. 5 is a rear elevational view thereof;
FIG. 6 is a right side elevational view thereof; and,
FIG. 7 is a left side elevational view thereof.
The broken line showing of the environment is for illustrative purposes only and forms no part of the claimed design.

1 Claim, 2 Drawing Sheets



US D563,886 S

Page 2

U.S. PATENT DOCUMENTS

D420,978 S *	2/2000	Chang	D13/146	D502,685 S	3/2005	Shimojo	
D420,979 S *	2/2000	Chang	D13/146	D505,116 S	5/2005	Tanaka	
D434,728 S	12/2000	Huang		D506,727 S	6/2005	Taguchi	
D435,245 S	12/2000	Hwang		D508,464 S	8/2005	Tanaka	
D435,519 S *	12/2000	Lee	D13/147	6,932,646 B2	8/2005	Sloey	
D440,205 S *	4/2001	Lord	D13/147	6,939,159 B1	9/2005	Klein et al.	
6,319,963 B1	11/2001	Coates et al.		D517,994 S	3/2006	Zhang et al.	
D451,476 S *	12/2001	Wang et al.	D13/147	D543,508 S	5/2007	Dever	
D452,961 S *	1/2002	Zheng et al.	D13/147	D549,659 S	8/2007	Dever	
D453,500 S	2/2002	Nakatomi		2001/0031579 A1*	10/2001	Fujino et al.	439/610
D458,901 S *	6/2002	Larsen et al.	D13/147				
D460,945 S *	7/2002	Wang	D13/147				
D468,266 S *	1/2003	Huang	D13/147				
D468,693 S	1/2003	Kuo					
D474,449 S *	5/2003	Rosander	D13/147				
6,702,617 B1	3/2004	Clement et al.					
D488,132 S	4/2004	Tanaka					

OTHER PUBLICATIONS

“Detail Specification Sheet” MIL-DTL-32139/3, Dec. 16, 2003, pp. 1-5.

AirBorn, Inc., AirBorn Interconnect Solutions, Nano Miniature Series, May 2007.

* cited by examiner

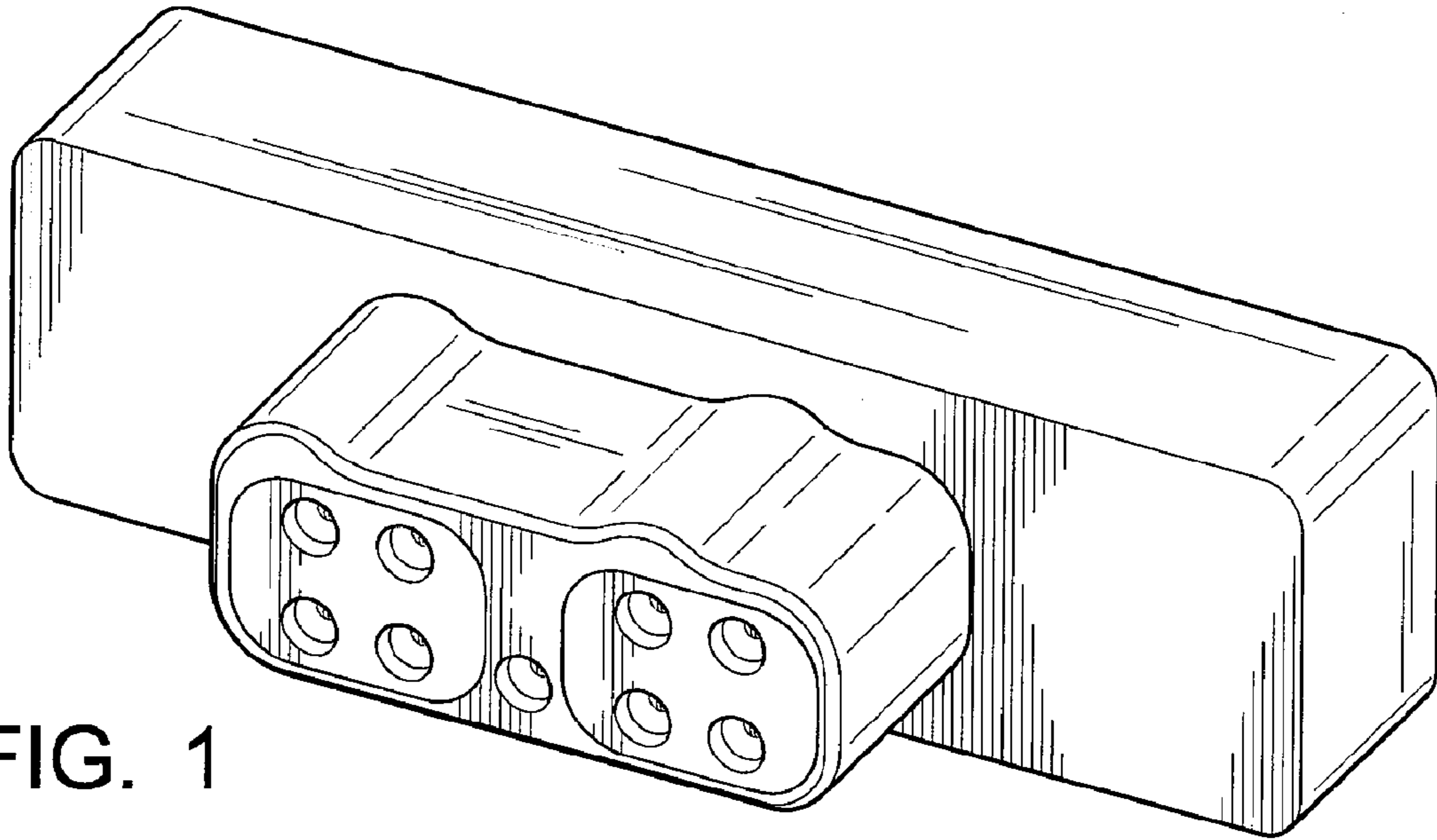


FIG. 1

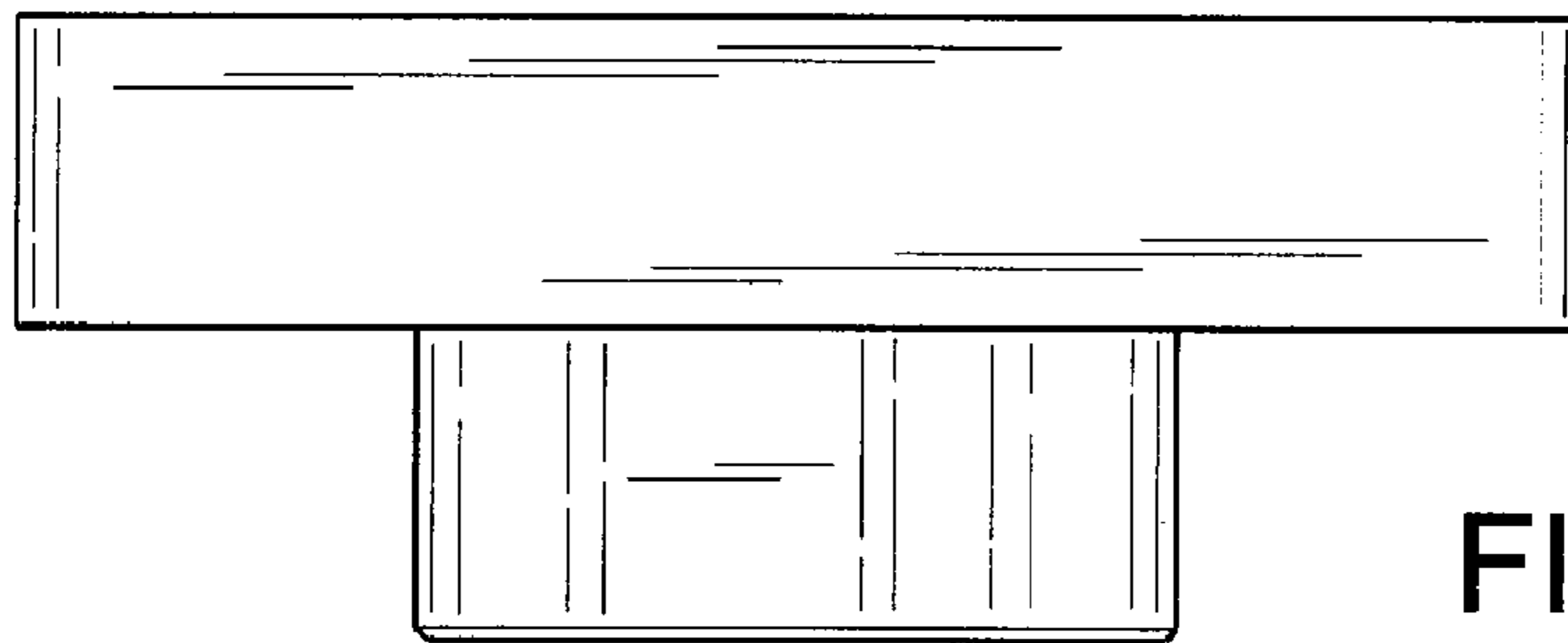


FIG. 2

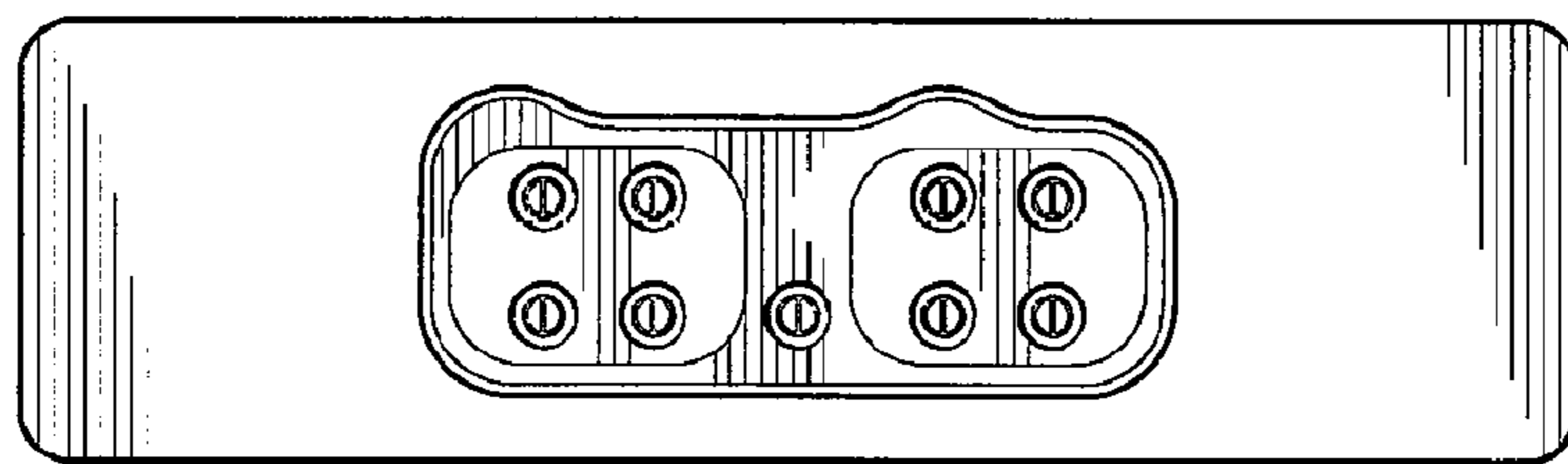


FIG. 3

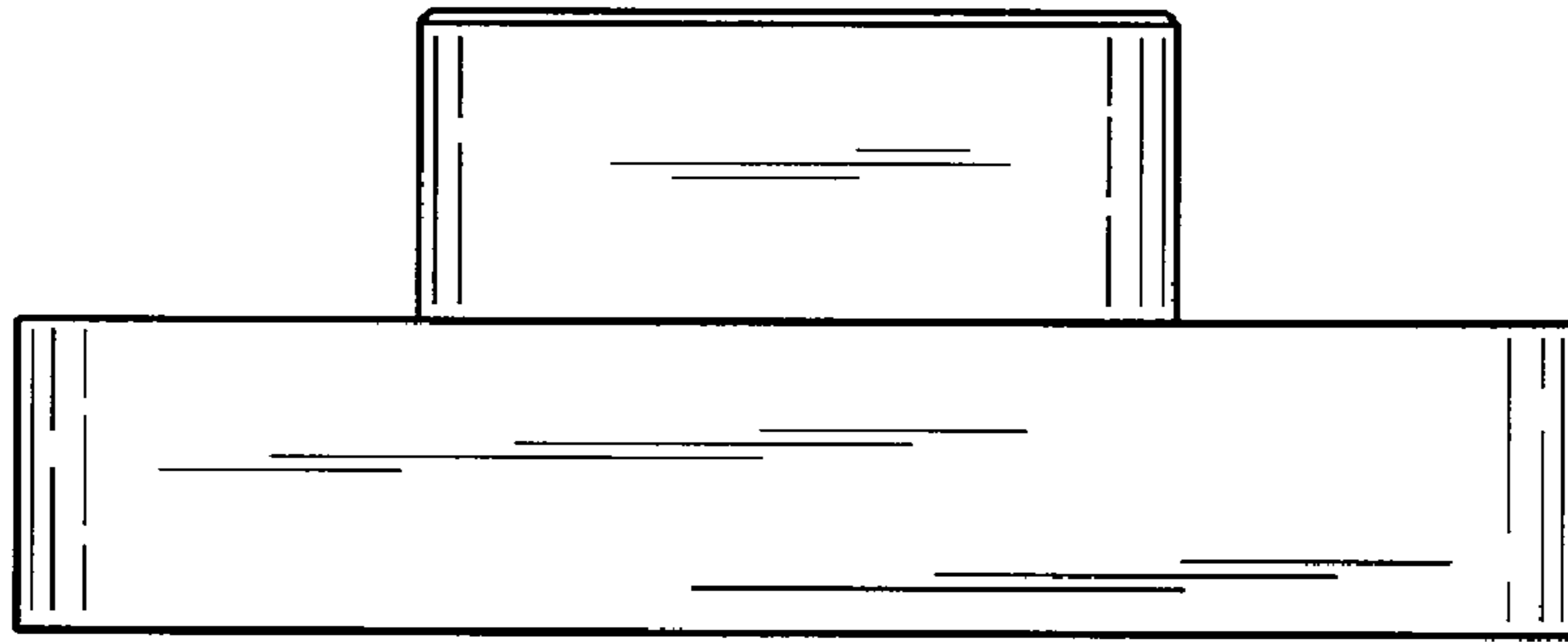


FIG. 4

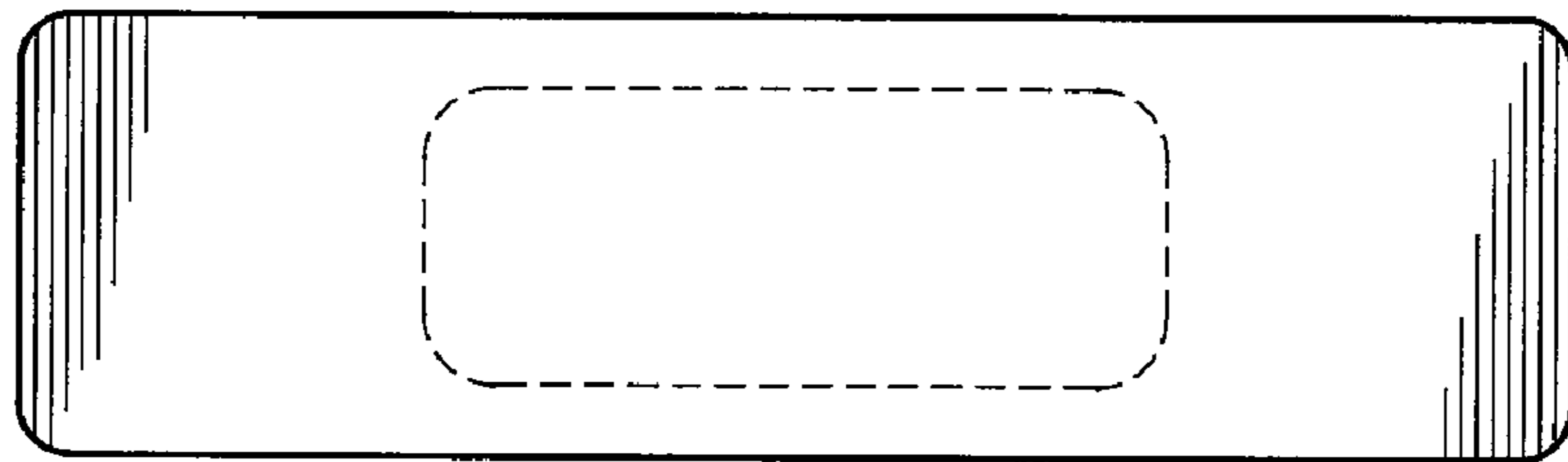


FIG. 5

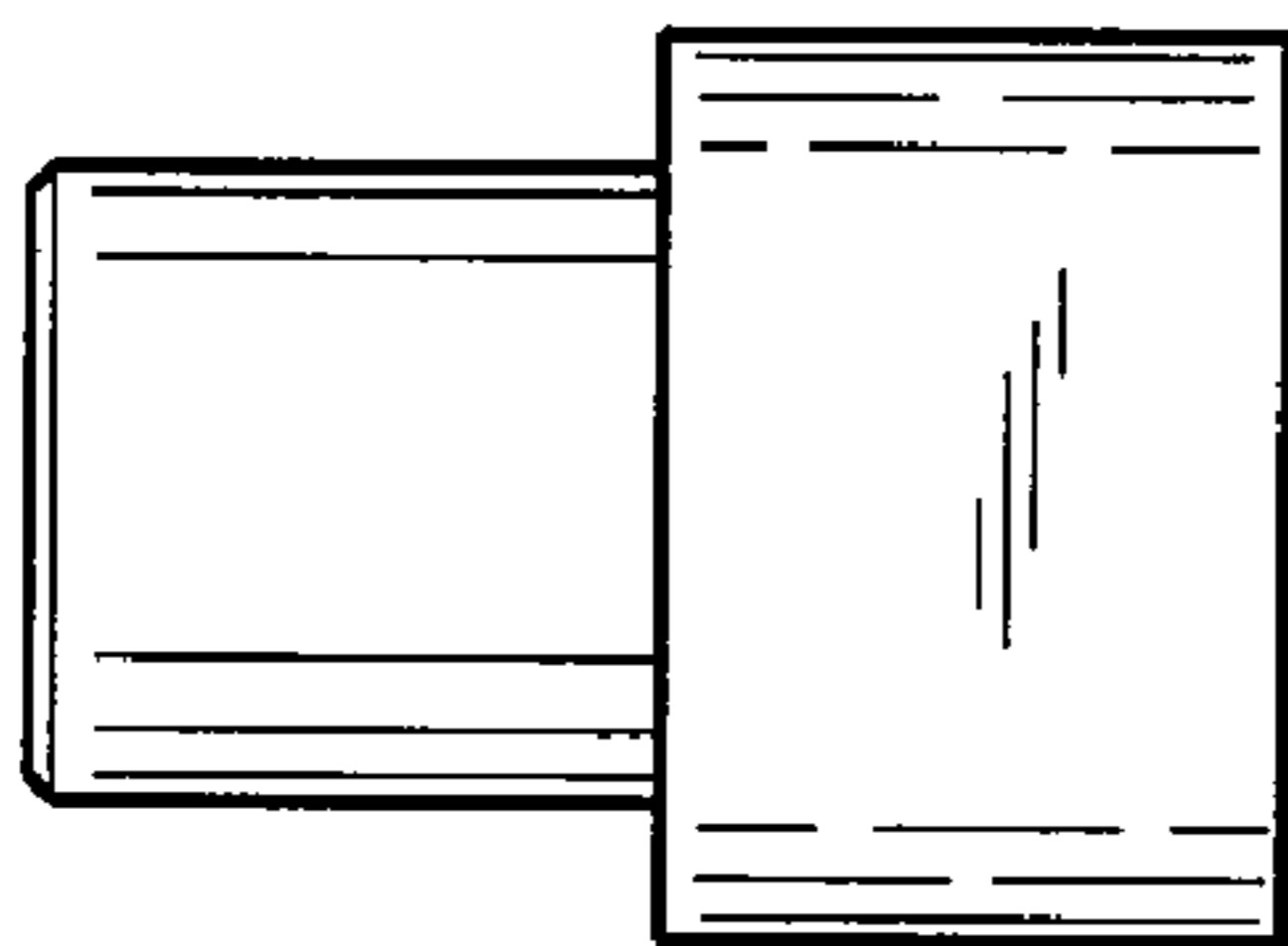


FIG. 6



FIG. 7