



US00D563884S

(12) **United States Design Patent**  
**Dever**

(10) **Patent No.:** **US D563,884 S**

(45) **Date of Patent:** **\*\* Mar. 11, 2008**

(54) **ELECTRICAL CONNECTOR**

4,998,892 A \* 3/1991 Shiley ..... 439/381  
D319,431 S \* 8/1991 Constien ..... D13/184

(75) Inventor: **Neil Patrick Dever**, Phoenix, AZ (US)

(Continued)

(73) Assignee: **AirBorn, Inc.**, Addison, TX (US)

**OTHER PUBLICATIONS**

(\*\*) Term: **14 Years**

“Detail Specification Sheet” MIL-DTL-32139/1, Dec. 16, 2003, pp. 1-5.

(21) Appl. No.: **29/284,935**

(Continued)

(22) Filed: **Sep. 18, 2007**

*Primary Examiner*—Daniel Bui

(51) **LOC (8) Cl.** ..... **13-03**

(52) **U.S. Cl.** ..... **D13/147**

(58) **Field of Classification Search** ..... D13/133,  
D13/146–147, 154, 184, 199; 439/344, 378,  
439/395, 409, 607–610, 676

(74) *Attorney, Agent, or Firm*—Locke Lord Bissell & Liddell, LLP

See application file for complete search history.

(57) **CLAIM**

The ornamental design for an electrical connector, as shown and described.

(56) **References Cited**

**DESCRIPTION**

**U.S. PATENT DOCUMENTS**

D235,552 S	6/1975	Derr et al.	
D252,082 S	6/1979	Voelkert	
4,158,473 A	6/1979	Shearer	
4,179,179 A	12/1979	Lowden	
D269,673 S *	7/1983	Johansson et al. ....	D13/147
D270,246 S	8/1983	Freimuth	
D274,719 S *	7/1984	Casciotti et al. ....	D13/147
D275,850 S *	10/1984	Wilson .....	D13/147
D299,715 S *	2/1989	Stowers et al. ....	D13/147
4,824,398 A *	4/1989	Taylor .....	439/557
D305,224 S *	12/1989	Iwashita .....	D13/147
4,889,502 A *	12/1989	Althouse et al. ....	439/607
4,906,201 A *	3/1990	Young et al. ....	439/108
D308,511 S	6/1990	Makita et al.	

FIG. 1 is a front perspective view of an electrical connector showing my new design;

FIG. 2 is a top plan view thereof;

FIG. 3 is a front elevational view thereof;

FIG. 4 is a bottom plan view thereof;

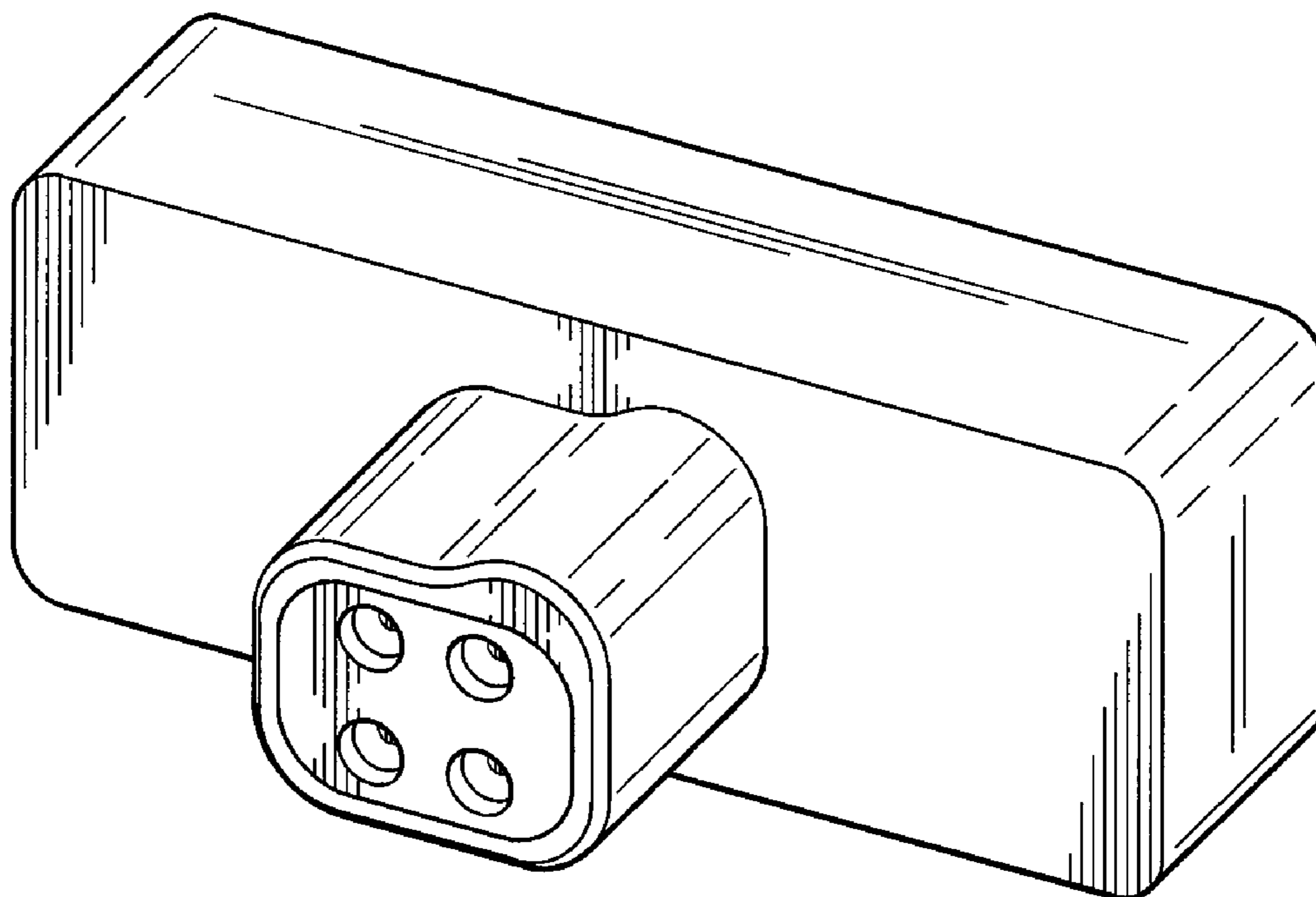
FIG. 5 is a rear elevational view thereof;

FIG. 6 is a right side elevational view thereof; and,

FIG. 7 is a left side elevational view thereof.

The broken line showing of the environment is for illustrative purposes only and forms no part of the claimed design.

**1 Claim, 1 Drawing Sheet**



U.S. PATENT DOCUMENTS

D319,625 S 9/1991 Nagasaka et al.  
 D328,595 S \* 8/1992 Lou ..... D14/438  
 D330,704 S \* 11/1992 Wagner ..... D14/242  
 5,163,851 A \* 11/1992 Hart et al. .... 439/567  
 5,190,481 A \* 3/1993 Ju ..... 439/654  
 D344,491 S \* 2/1994 Nakamura ..... D13/147  
 D349,100 S \* 7/1994 Lo ..... D13/147  
 D361,989 S \* 9/1995 Cox ..... D14/433  
 D377,336 S \* 1/1997 Tan et al. .... D13/147  
 D403,303 S 12/1998 Lai et al.  
 D407,376 S \* 3/1999 Copeland et al. .... D13/153  
 D408,789 S 4/1999 Middlehurst et al.  
 D409,572 S \* 5/1999 van Putten ..... D13/147  
 D411,513 S \* 6/1999 Wu et al. .... D13/147  
 D412,489 S \* 8/1999 Middlehurst et al. .... D13/147  
 D414,162 S \* 9/1999 Huang ..... D13/147  
 D414,465 S \* 9/1999 Hsu et al. .... D13/147  
 D420,645 S 2/2000 Chang et al.  
 D420,978 S \* 2/2000 Chang ..... D13/146  
 D420,979 S \* 2/2000 Chang ..... D13/146  
 D434,728 S 12/2000 Huang  
 D435,245 S 12/2000 Hwang  
 D435,519 S \* 12/2000 Lee ..... D13/147  
 D440,205 S \* 4/2001 Lord ..... D13/147  
 6,319,963 B1 11/2001 Coates et al.  
 D451,476 S \* 12/2001 Wang et al. .... D13/147

D452,961 S \* 1/2002 Zheng et al. .... D13/147  
 D453,500 S 2/2002 Nakatomi  
 D458,901 S \* 6/2002 Larsen et al. .... D13/147  
 D460,945 S \* 7/2002 Wang ..... D13/147  
 D468,266 S \* 1/2003 Huang ..... D13/147  
 D468,693 S 1/2003 Kuo  
 D474,449 S \* 5/2003 Rosander ..... D13/147  
 6,702,617 B1 3/2004 Clement et al.  
 D488,132 S 4/2004 Tanaka  
 D502,685 S 3/2005 Shimojo  
 D505,116 S 5/2005 Tanaka  
 D506,727 S 6/2005 Taguchi  
 D508,464 S 8/2005 Tanaka  
 6,932,646 B2 8/2005 Sloey  
 6,939,159 B1 9/2005 Klein et al.  
 D517,994 S 3/2006 Zhang et al.  
 D543,508 S 5/2007 Dever  
 D549,659 S 8/2007 Dever  
 2001/0031579 A1 \* 10/2001 Fujino et al. .... 439/610

OTHER PUBLICATIONS

“Detail Specification Sheet” MIL-DTL-32139/3, Dec. 16, 2003, pp. 1-5.  
 AirBorn, Inc., AirBorn Interconnect Solutions, Nano Miniature Series, May, 2007.

\* cited by examiner

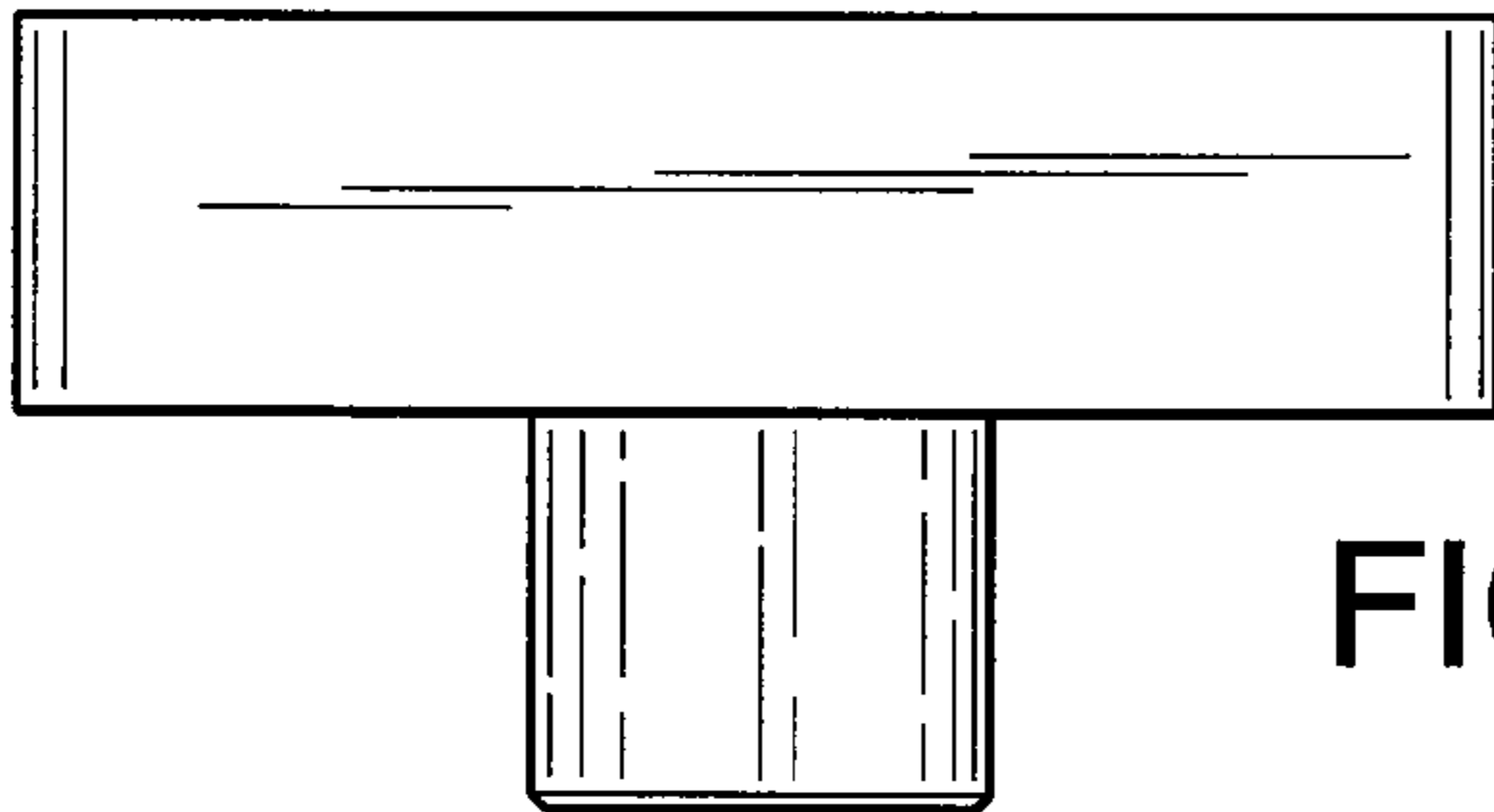
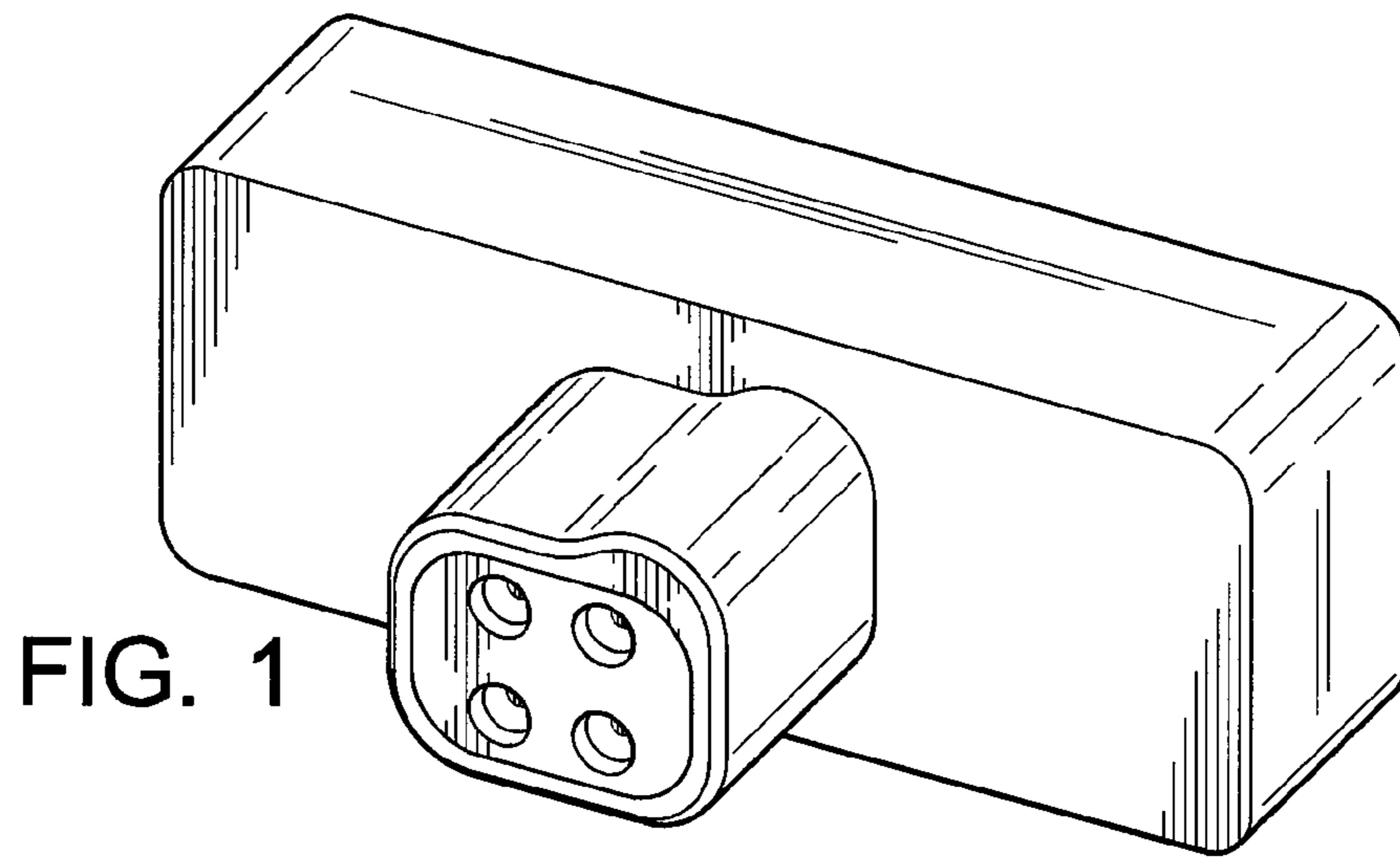


FIG. 2

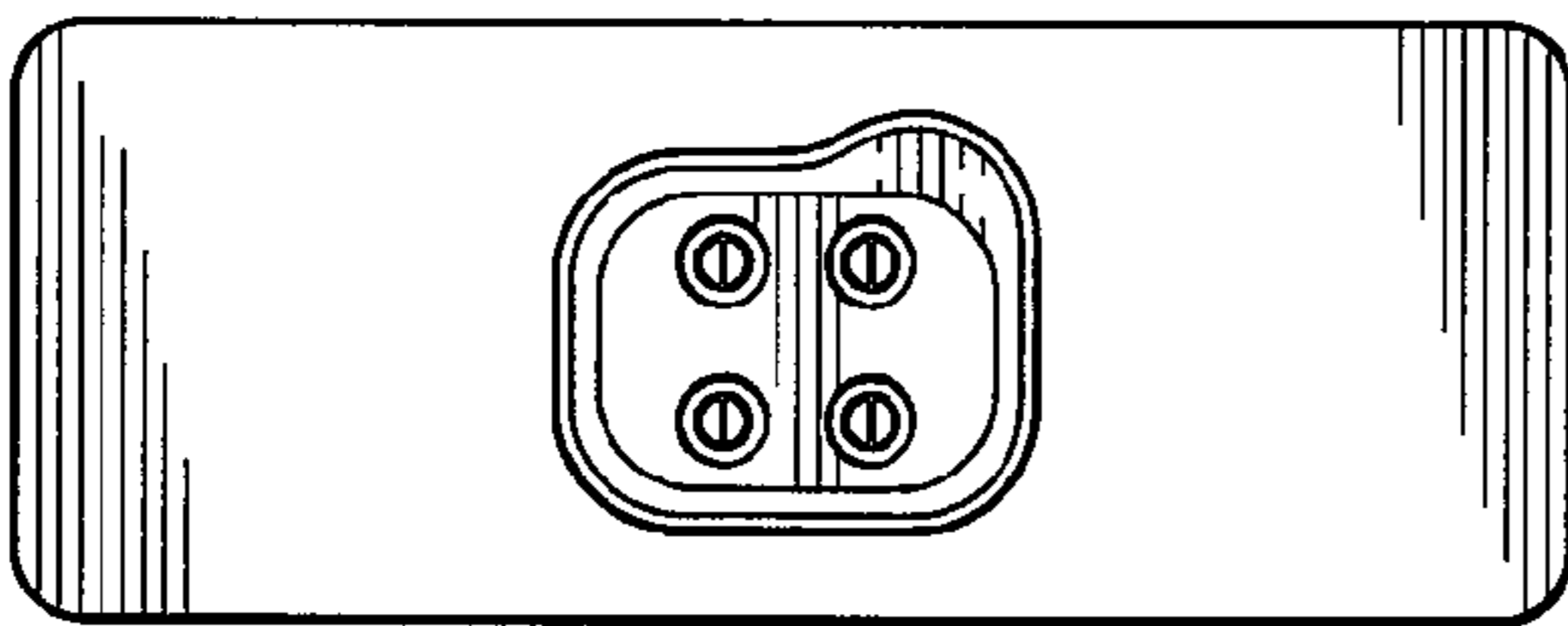


FIG. 3

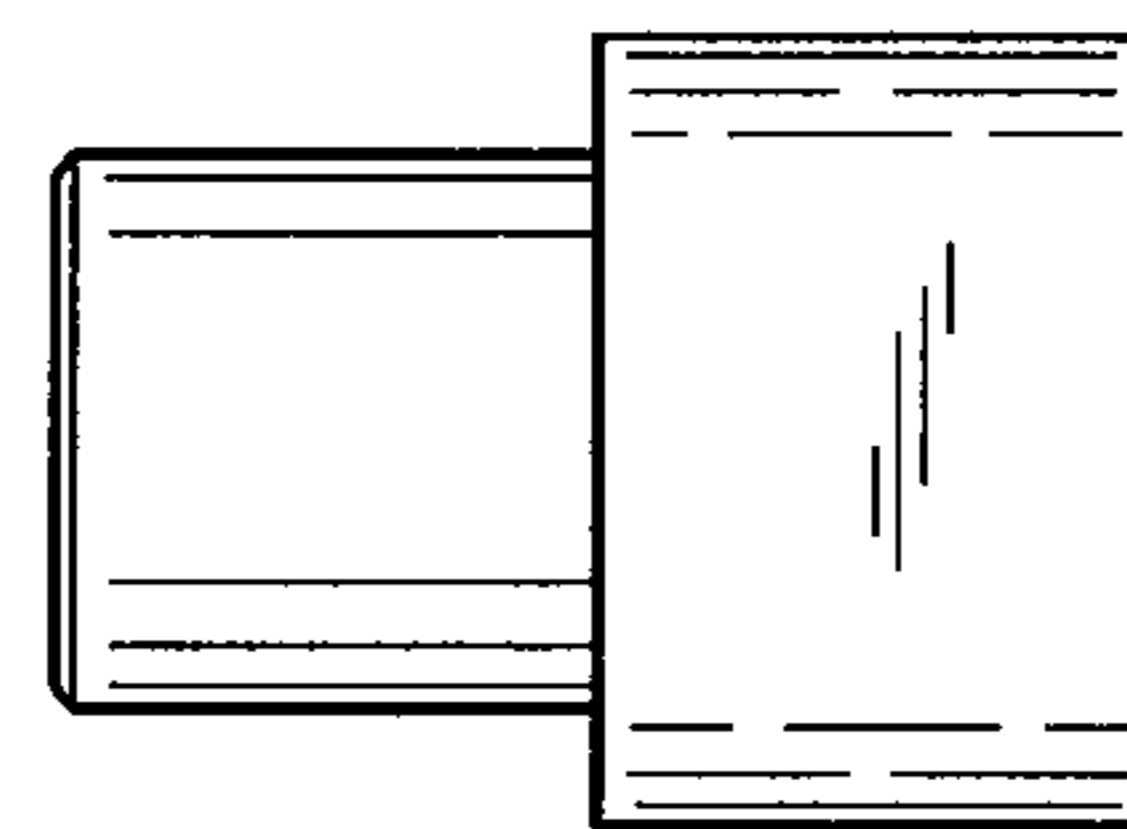


FIG. 6

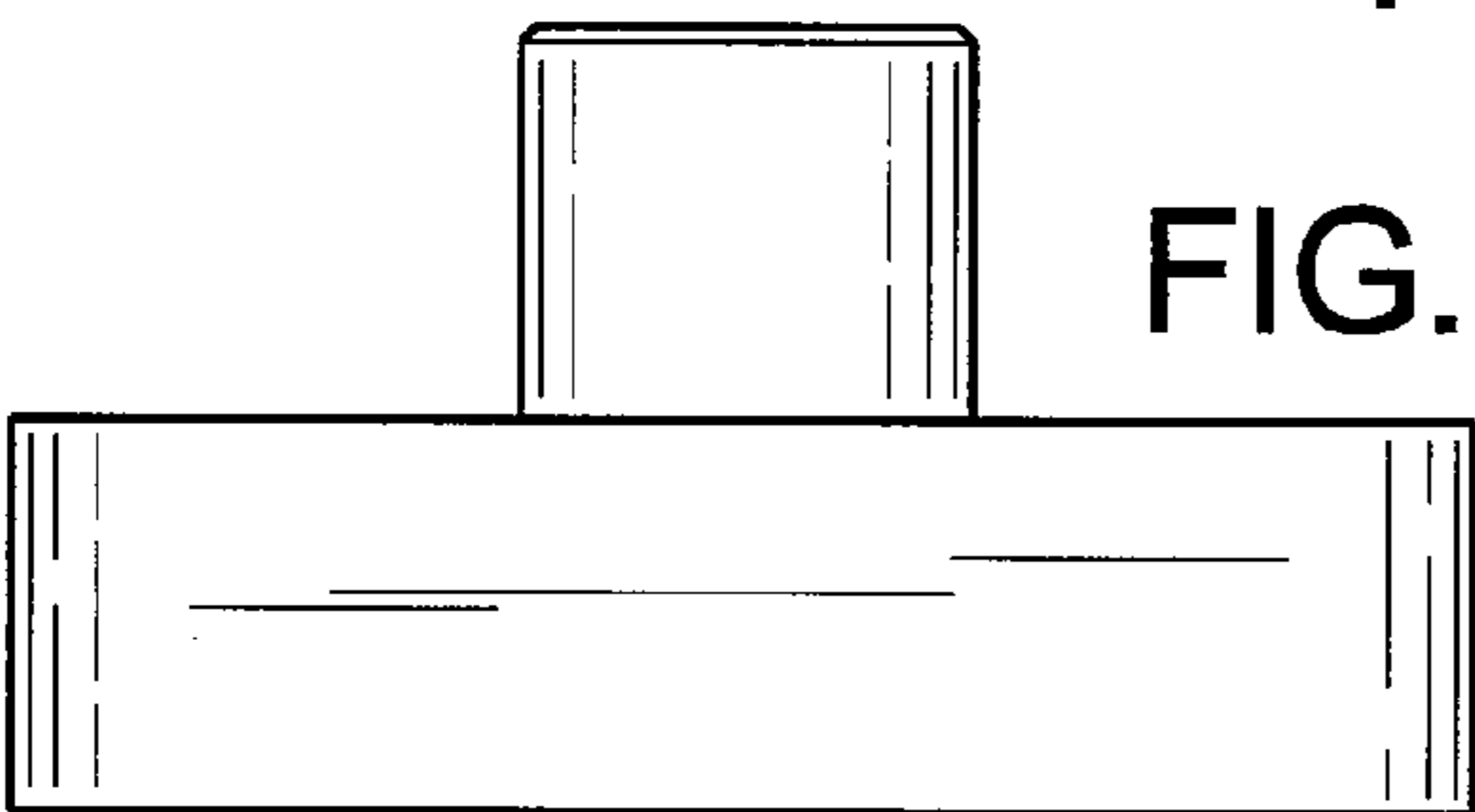


FIG. 4

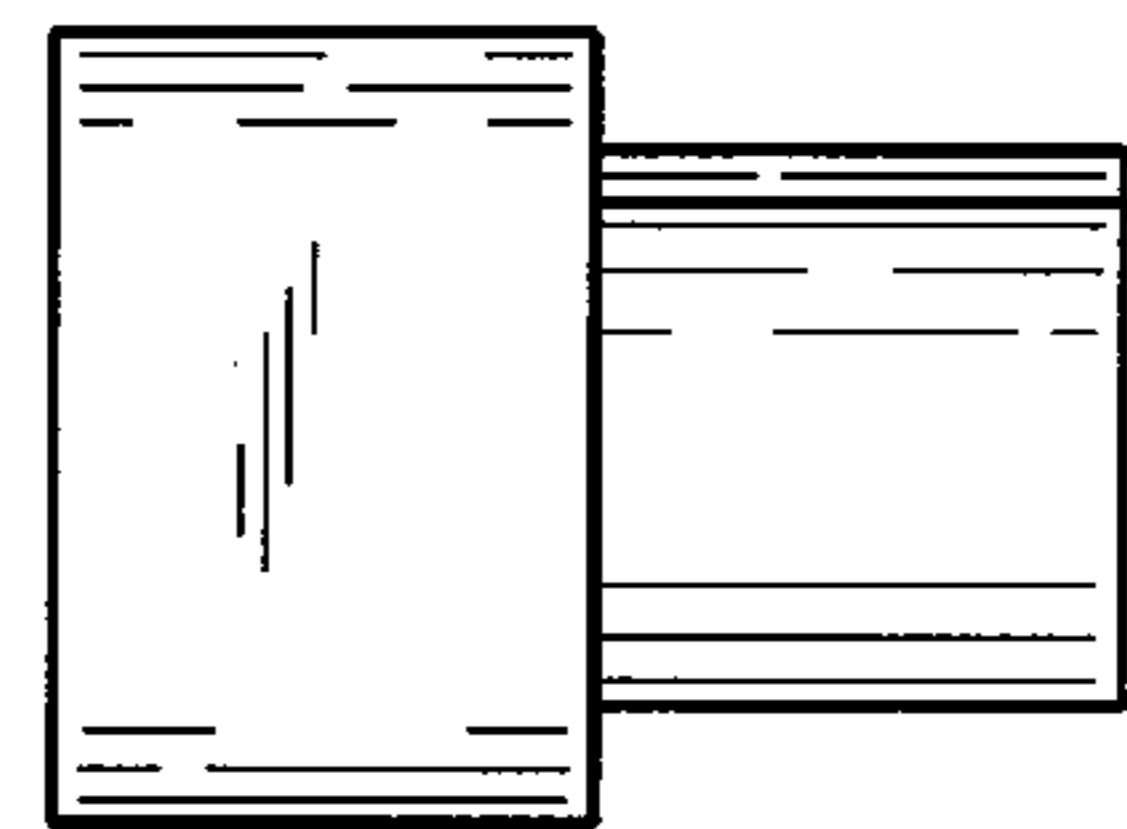


FIG. 7

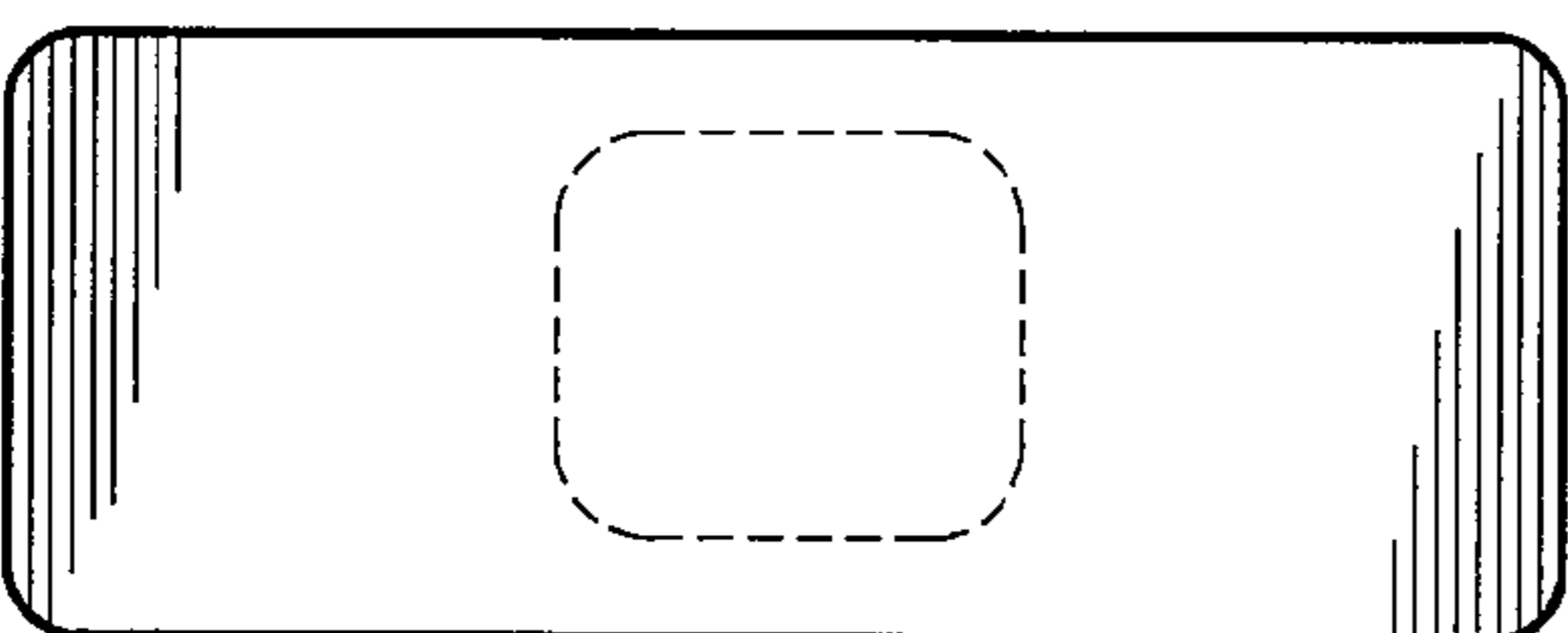


FIG. 5