



US00D563880S

(12) **United States Design Patent Grant**

(10) **Patent No.: US D563,880 S**

(45) **Date of Patent: ** *Mar. 11, 2008**

(54) **ELECTRICAL CONNECTOR**

(75) Inventor: **John L. Grant**, Sherborn, MA (US)

(73) Assignee: **AirBorn, Inc.**, Addison, TX (US)

(*) Notice: This patent is subject to a terminal disclaimer.

(**) Term: **14 Years**

(21) Appl. No.: **29/283,538**

(22) Filed: **Aug. 16, 2007**

(51) **LOC (8) Cl.** **13-03**

(52) **U.S. Cl.** **D13/147**

(58) **Field of Classification Search** D13/133,
D13/146-147, 154, 184; 439/607-610, 613-614,
439/675-677, 680

See application file for complete search history.

(56) **References Cited**

U.S. PATENT DOCUMENTS

2,659,872	A *	11/1953	Gilbert	439/248
D200,645	S *	3/1965	Schumacher	D13/146
D208,550	S *	9/1967	Schumacher	D13/147
D252,082	S *	6/1979	Voelkert	D13/146
4,179,179	A *	12/1979	Lowden	439/278
D264,711	S *	6/1982	Ford	D13/147
D270,246	S *	8/1983	Freimuth	D13/146
4,737,116	A *	4/1988	Slye et al.	439/92
4,861,271	A *	8/1989	Bogar et al.	439/63
D308,511	S *	6/1990	Makita et al.	D13/146

D319,625	S *	9/1991	Nagasaka et al.	D13/146
D326,084	S *	5/1992	Nagasaka et al.	D13/147
D331,223	S *	11/1992	Hughes	D13/147
D389,801	S *	1/1998	Foye	D13/147
D408,789	S *	4/1999	Middlehurst et al.	D13/154
D412,489	S *	8/1999	Middlehurst et al.	D13/147
D457,860	S *	5/2002	Larsen et al.	D13/147
D458,901	S *	6/2002	Larsen et al.	D13/147
6,702,617	B1 *	3/2004	Clement et al.	439/608
D502,919	S *	3/2005	Studnicky, III	D13/146

* cited by examiner

Primary Examiner—Daniel Bui

(74) *Attorney, Agent, or Firm*—Locke Lord Bissell & Liddell, LLP

(57) **CLAIM**

The ornamental design for an electrical connector, as shown and described.

DESCRIPTION

FIG. 1 is a front perspective view of an electrical connector showing my new design;

FIG. 2 is a rear perspective view thereof;

FIG. 3 is a front elevation view thereof;

FIG. 4 is a top plan view thereof; and,

FIG. 5 is a rear elevation view thereof.

The broken line showing of the environment is for illustrative purposes only and forms no part of the claimed design.

1 Claim, 2 Drawing Sheets

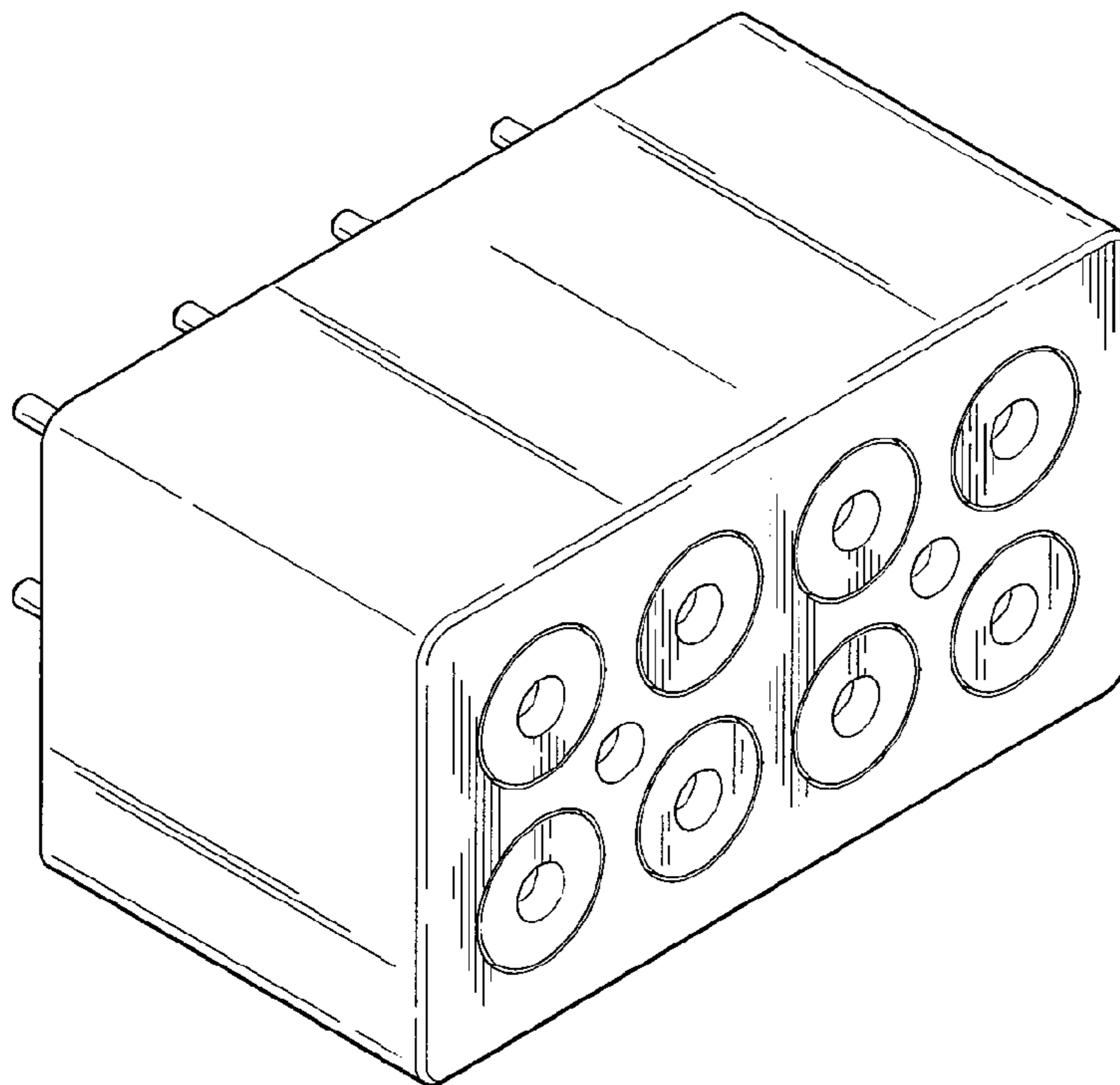


FIG. 1

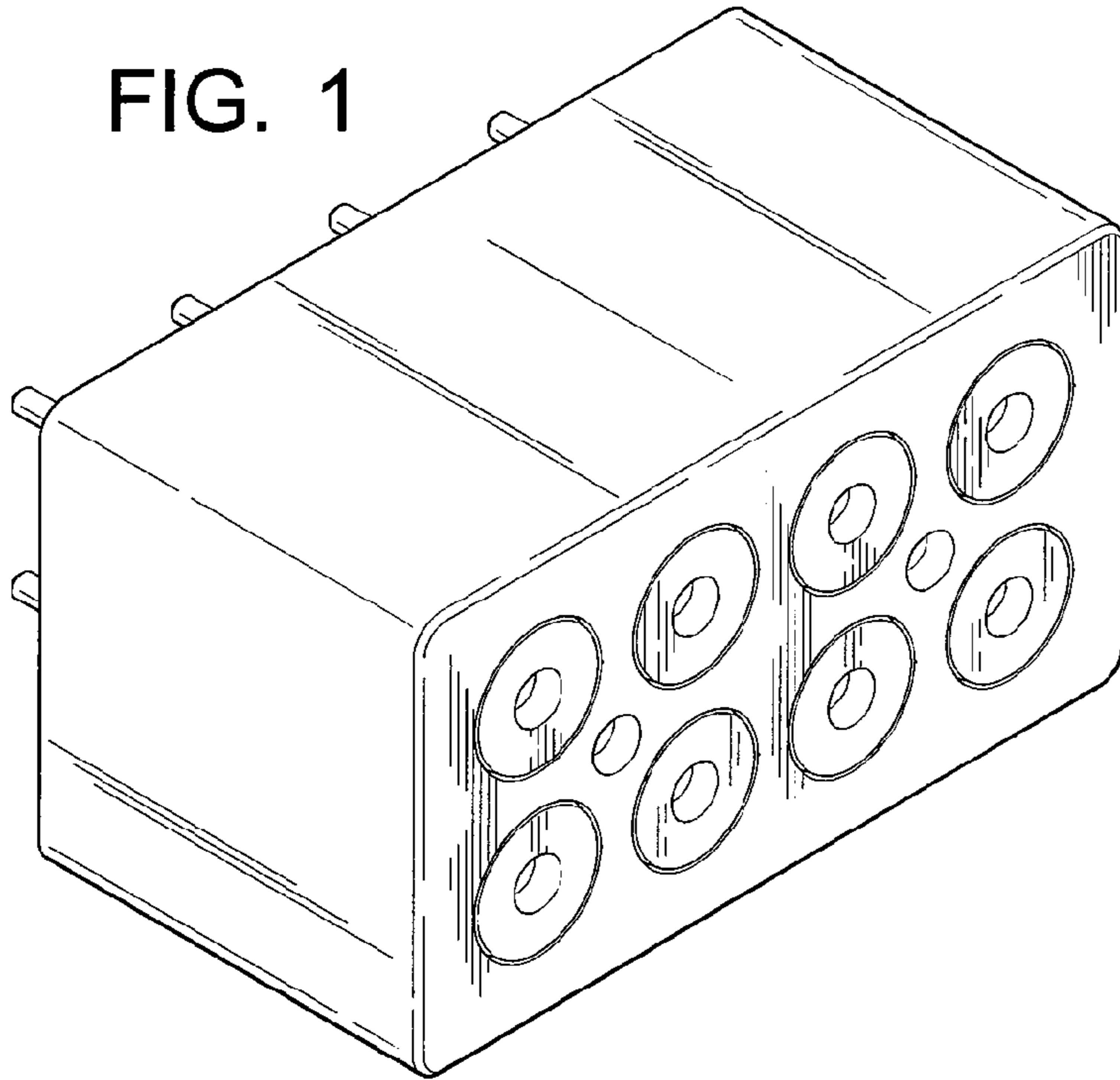
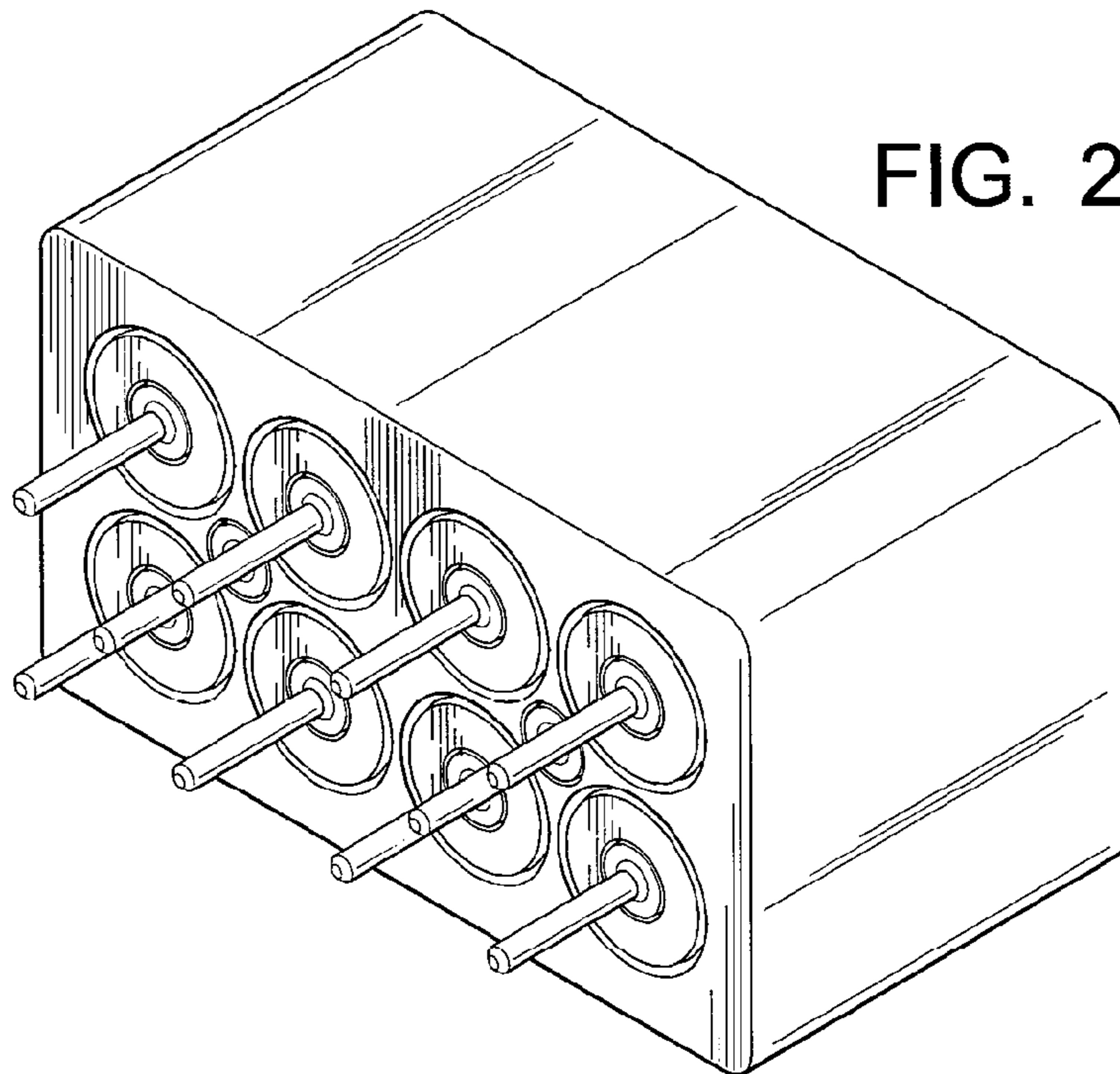


FIG. 2



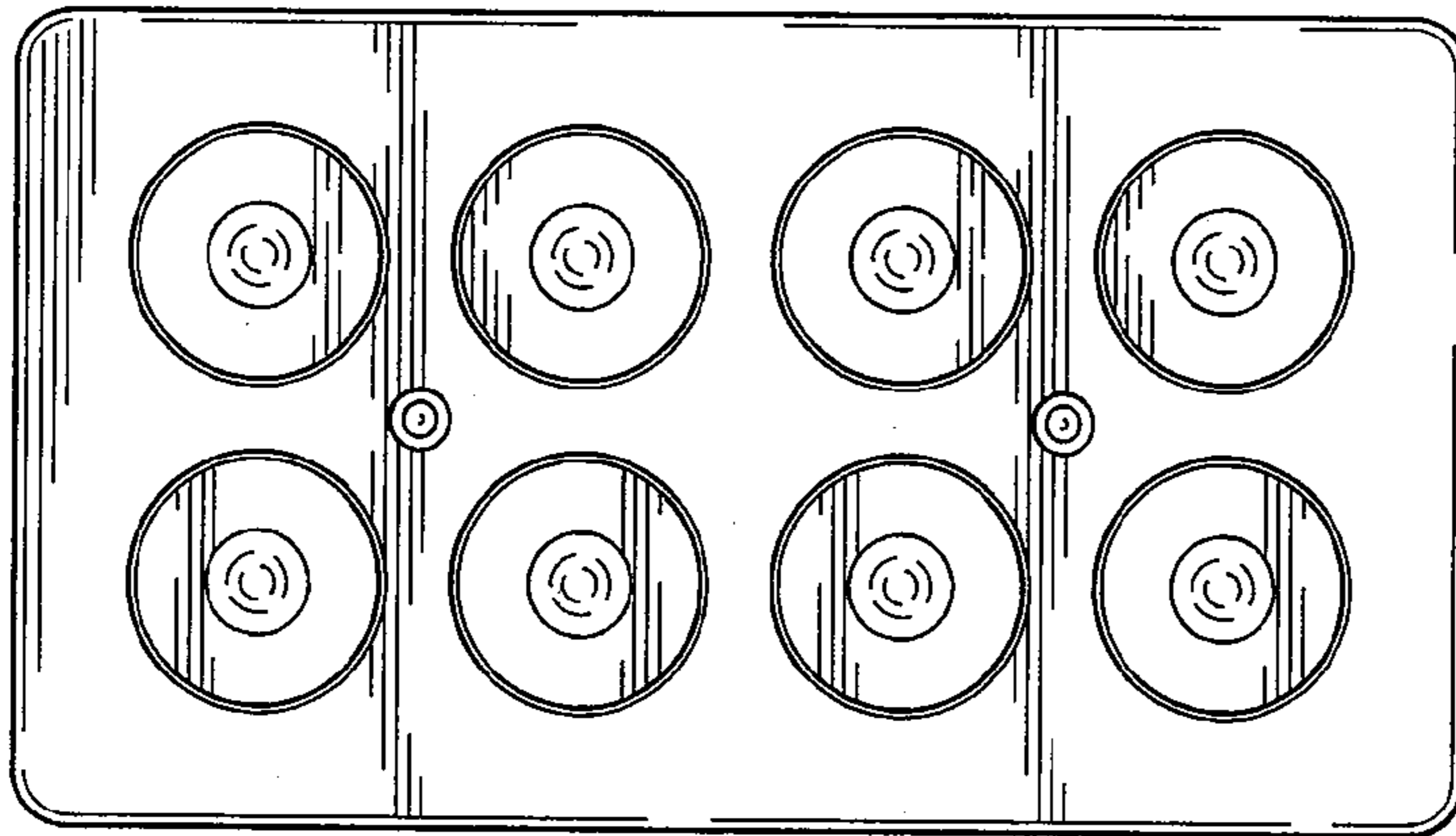


FIG. 3

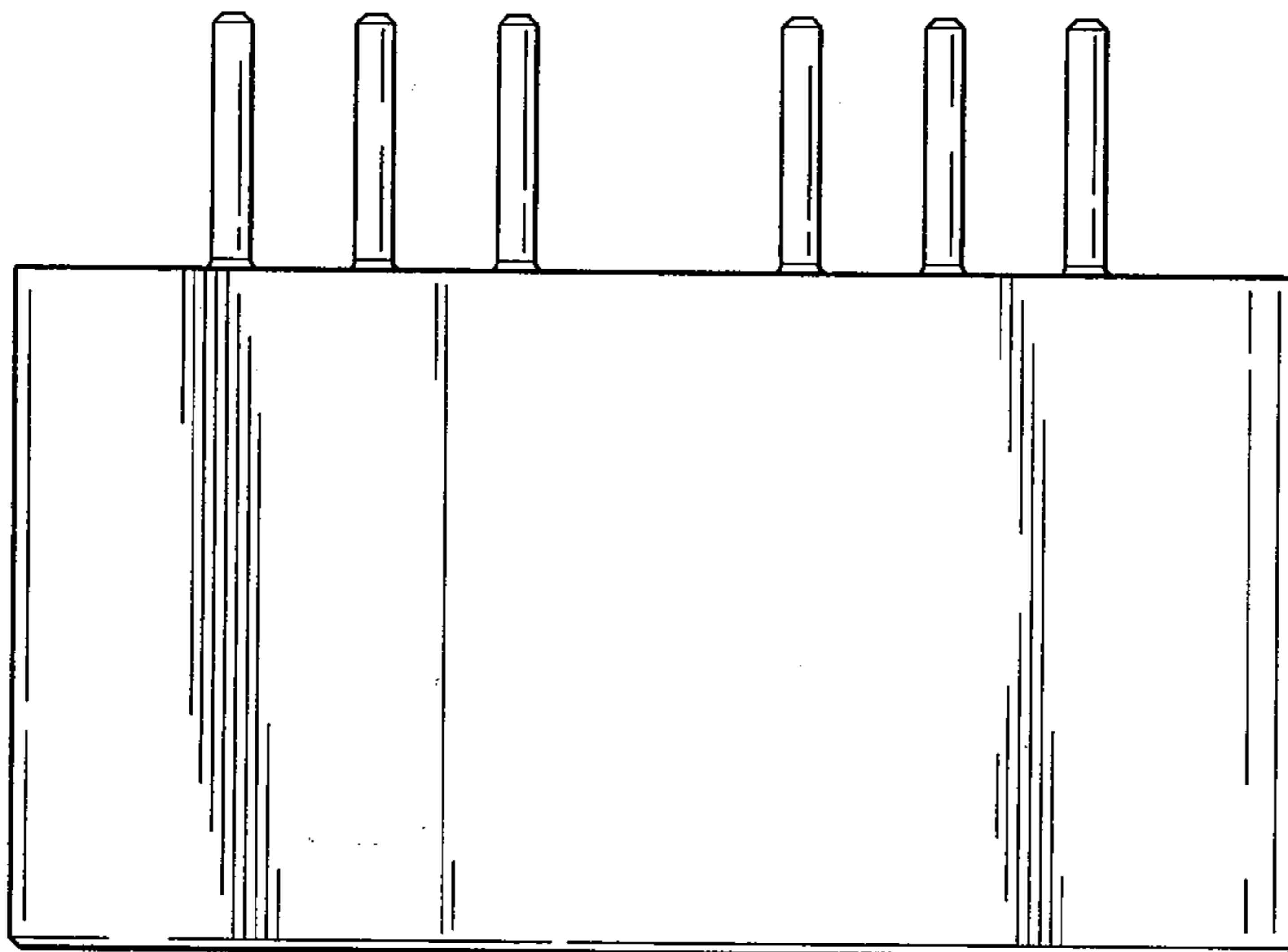


FIG. 4

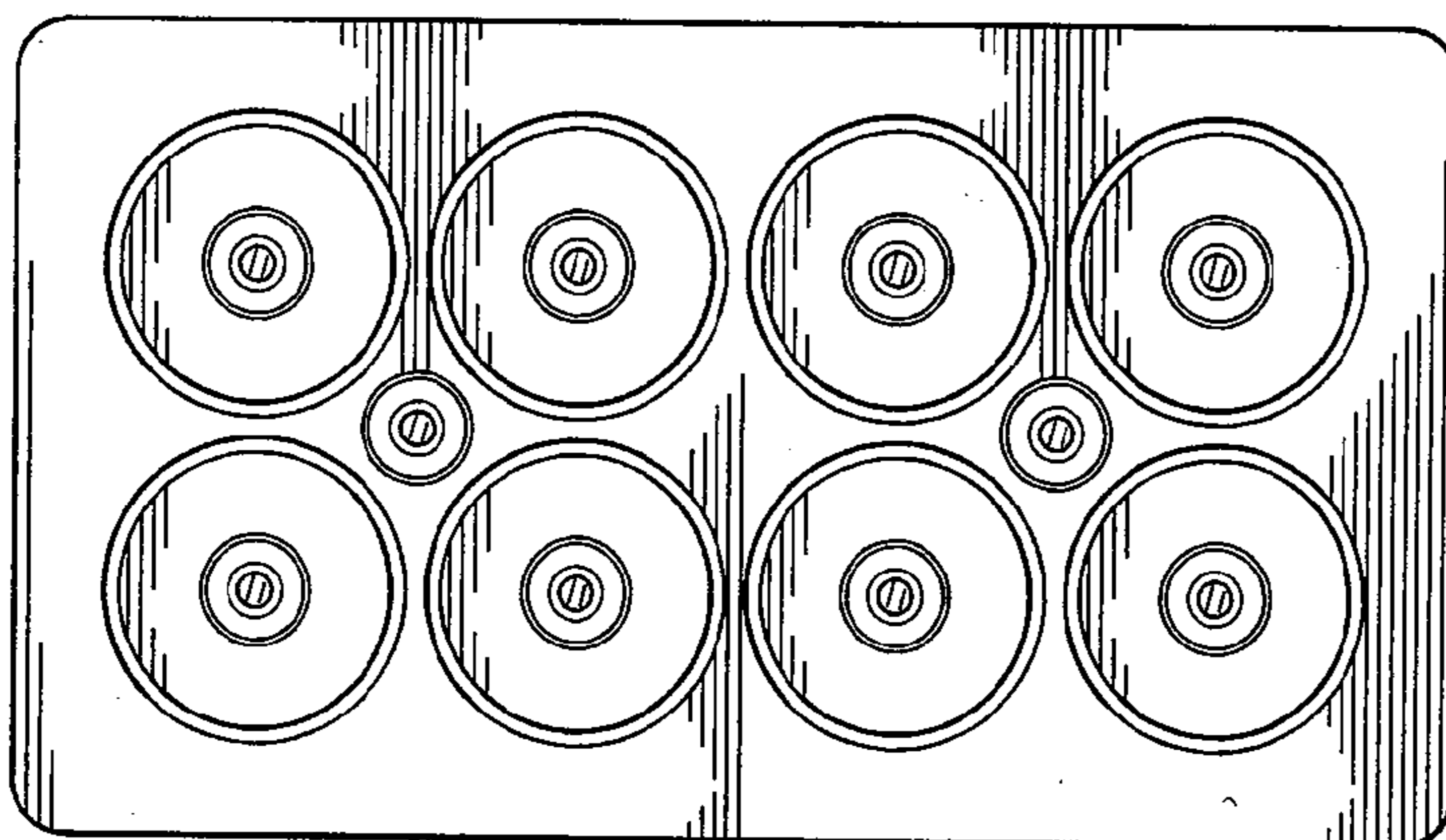


FIG. 5