



US00D563879S

(12) **United States Design Patent Grant**

(10) **Patent No.: US D563,879 S**

(45) **Date of Patent: ** *Mar. 11, 2008**

(54) **ELECTRICAL CONNECTOR**

(75) Inventor: **John L. Grant**, Sherborn, MA (US)

(73) Assignee: **AirBorn, Inc.**, Addison, TX (US)

(*) Notice: This patent is subject to a terminal disclaimer.

(**) Term: **14 Years**

(21) Appl. No.: **29/283,529**

(22) Filed: **Aug. 16, 2007**

(51) **LOC (8) Cl.** **13-03**

(52) **U.S. Cl.** **D13/147**

(58) **Field of Classification Search** D13/133, D13/146-147, 154, 184; 439/607-610, 613-614, 439/675-677, 680

See application file for complete search history.

(56) **References Cited**

U.S. PATENT DOCUMENTS

| | | | | | |
|-----------|-----|---------|--------------|-------|---------|
| 2,659,872 | A * | 11/1953 | Gilbert | | 439/248 |
| D200,645 | S * | 3/1965 | Schumacher | | D13/146 |
| D208,550 | S * | 9/1967 | Schumacher | | D13/147 |
| D252,082 | S * | 6/1979 | Voelkert | | D13/146 |
| 4,179,179 | A * | 12/1979 | Lowden | | 439/278 |
| D264,711 | S * | 6/1982 | Ford | | D13/147 |
| D270,246 | S * | 8/1983 | Freimuth | | D13/146 |
| 4,737,116 | A * | 4/1988 | Slye et al. | | 439/92 |
| 4,861,271 | A * | 8/1989 | Bogar et al. | | 439/63 |

| | | | | | |
|-----------|------|---------|--------------------|-------|---------|
| D308,511 | S * | 6/1990 | Makita et al. | | D13/146 |
| D319,625 | S * | 9/1991 | Nagasaka et al. | | D13/146 |
| D326,084 | S * | 5/1992 | Nagasaka et al. | | D13/147 |
| D331,223 | S * | 11/1992 | Hughes | | D13/147 |
| D389,801 | S * | 1/1998 | Foye | | D13/147 |
| D408,789 | S * | 4/1999 | Middlehurst et al. | | D13/154 |
| D412,489 | S * | 8/1999 | Middlehurst et al. | | D13/147 |
| D457,860 | S * | 5/2002 | Larsen et al. | | D13/147 |
| D458,901 | S * | 6/2002 | Larsen et al. | | D13/147 |
| 6,702,617 | B1 * | 3/2004 | Clement et al. | | 439/608 |
| D502,919 | S * | 3/2005 | Studnicky, III | | D13/146 |

* cited by examiner

Primary Examiner—Daniel Bui

(74) *Attorney, Agent, or Firm*—Locke Lord Bissell & Liddell, LLP

(57) **CLAIM**

The ornamental design for an electrical connector, as shown and described.

DESCRIPTION

FIG. 1 is a front perspective view of an electrical connector showing my new design;

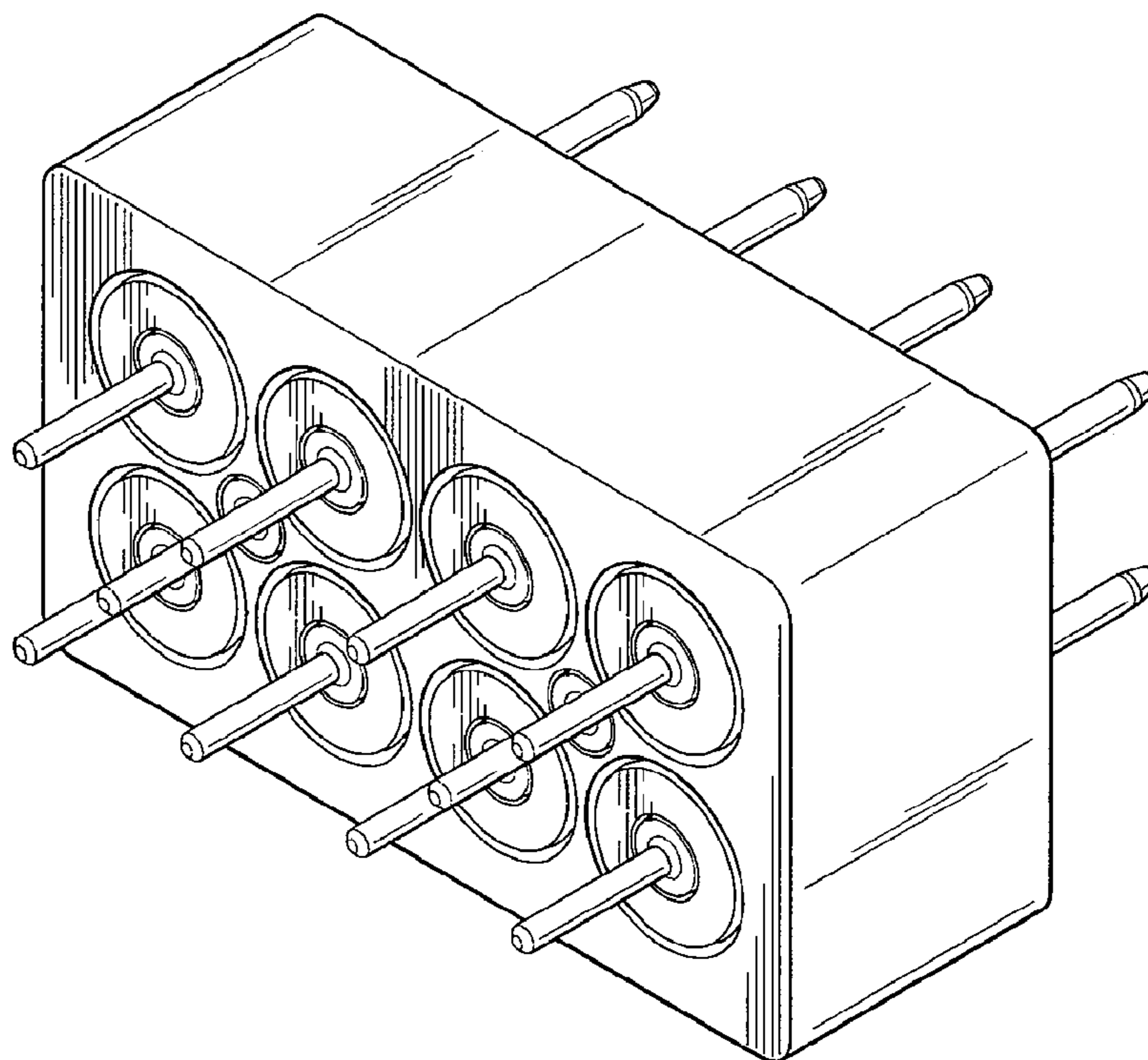
FIG. 2 is a rear perspective view thereof;

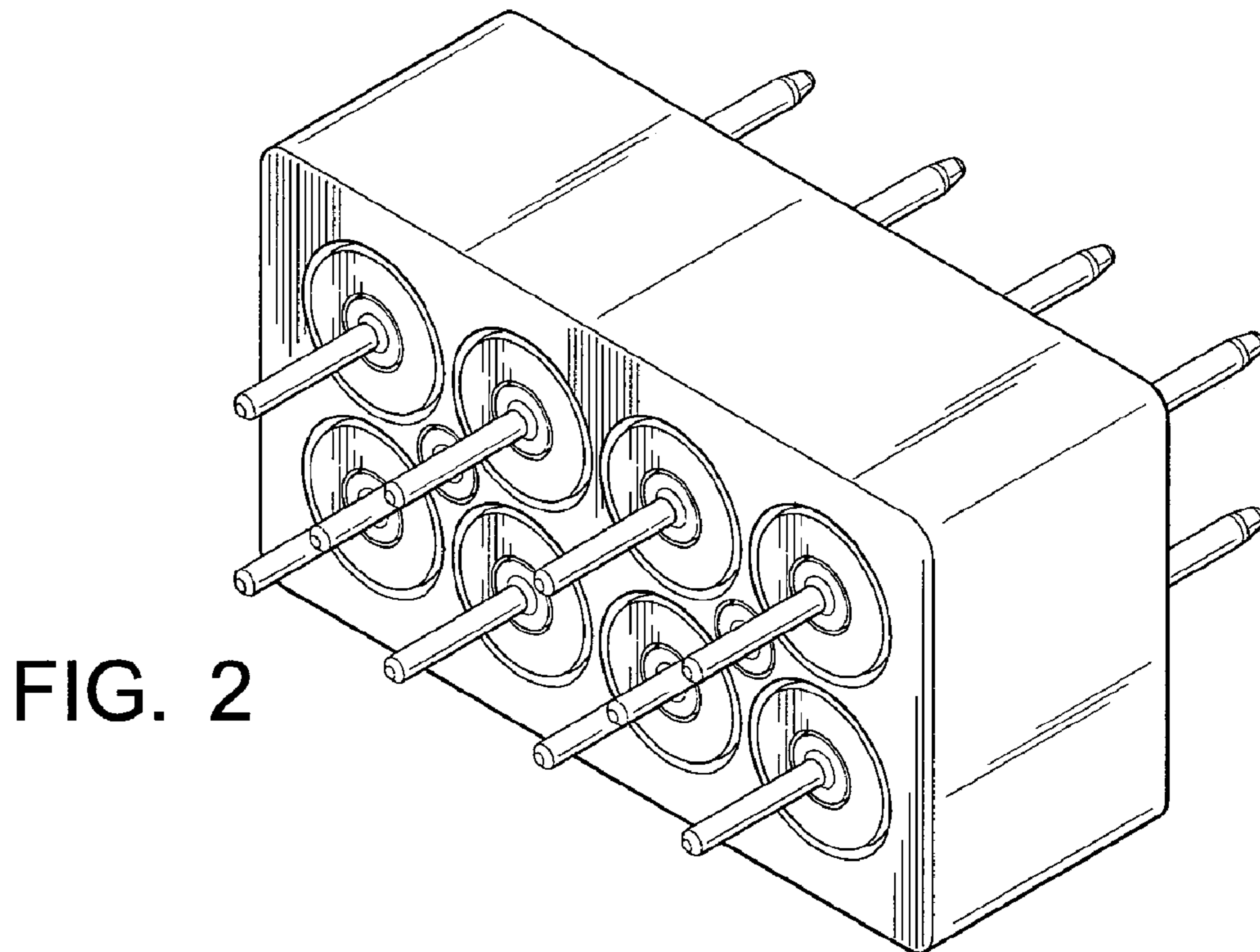
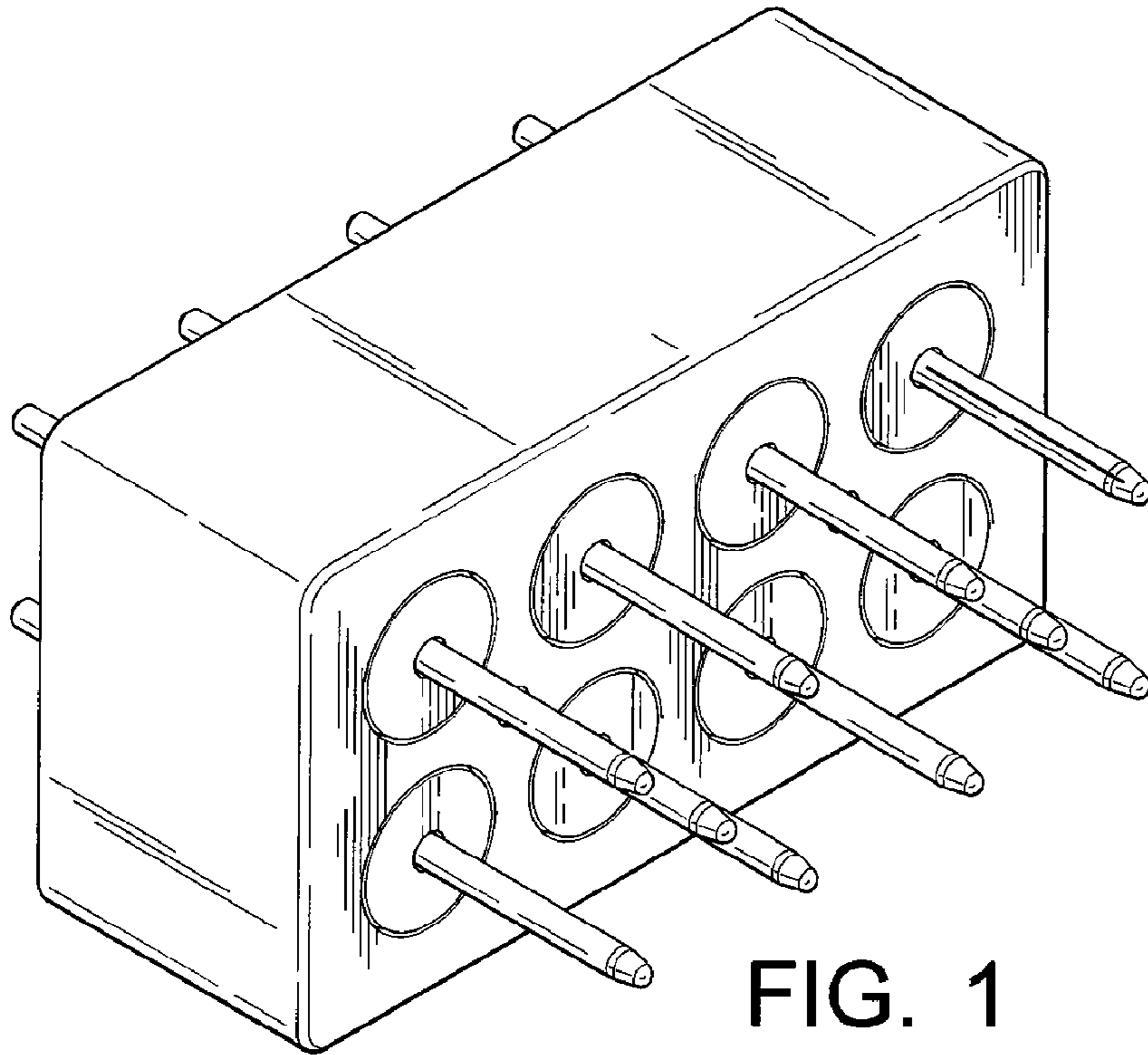
FIG. 3 is a front elevation view thereof;

FIG. 4 is a top plan view thereof; and,

FIG. 5 is a rear elevation view thereof.

1 Claim, 2 Drawing Sheets





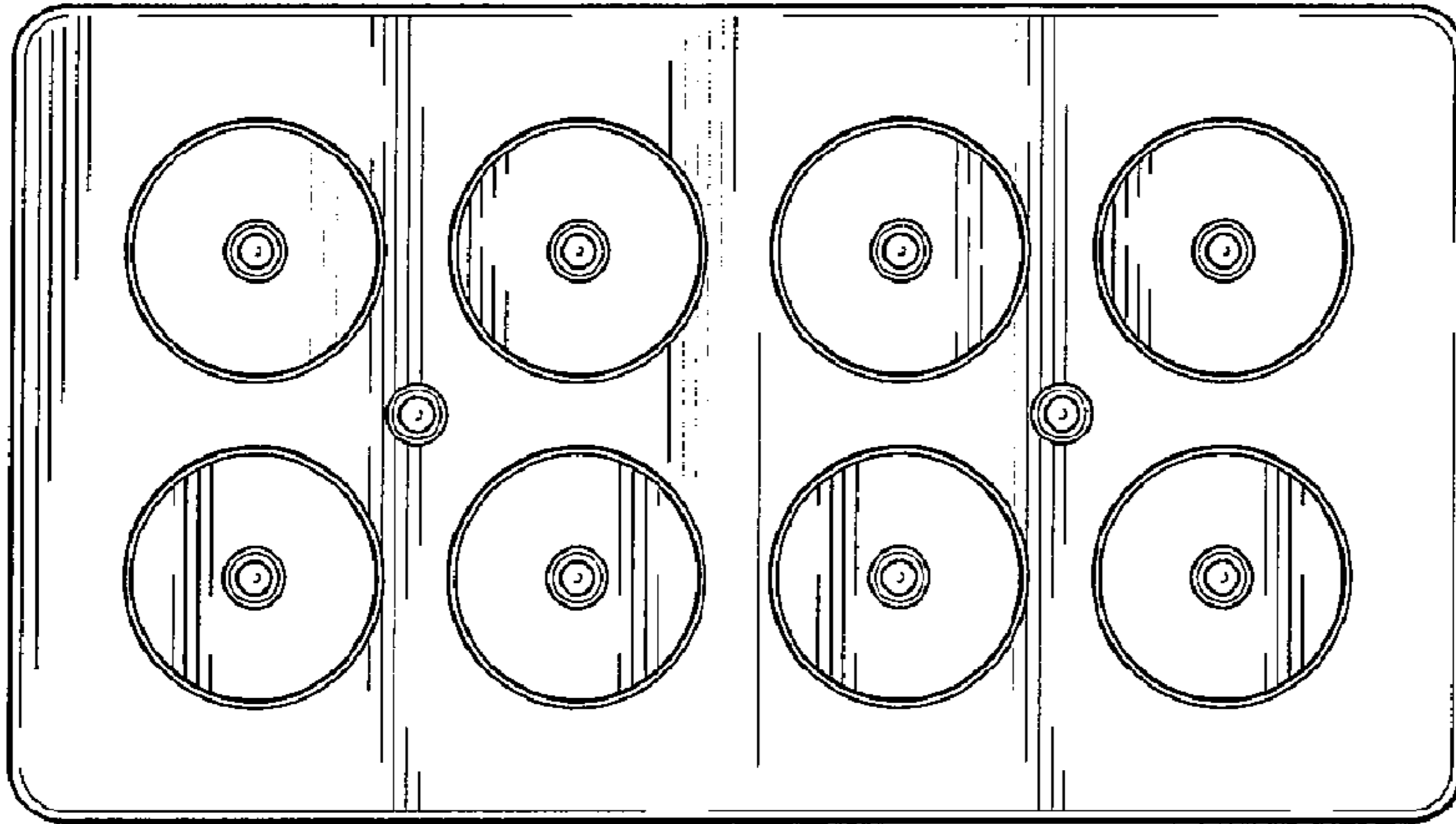


FIG. 3

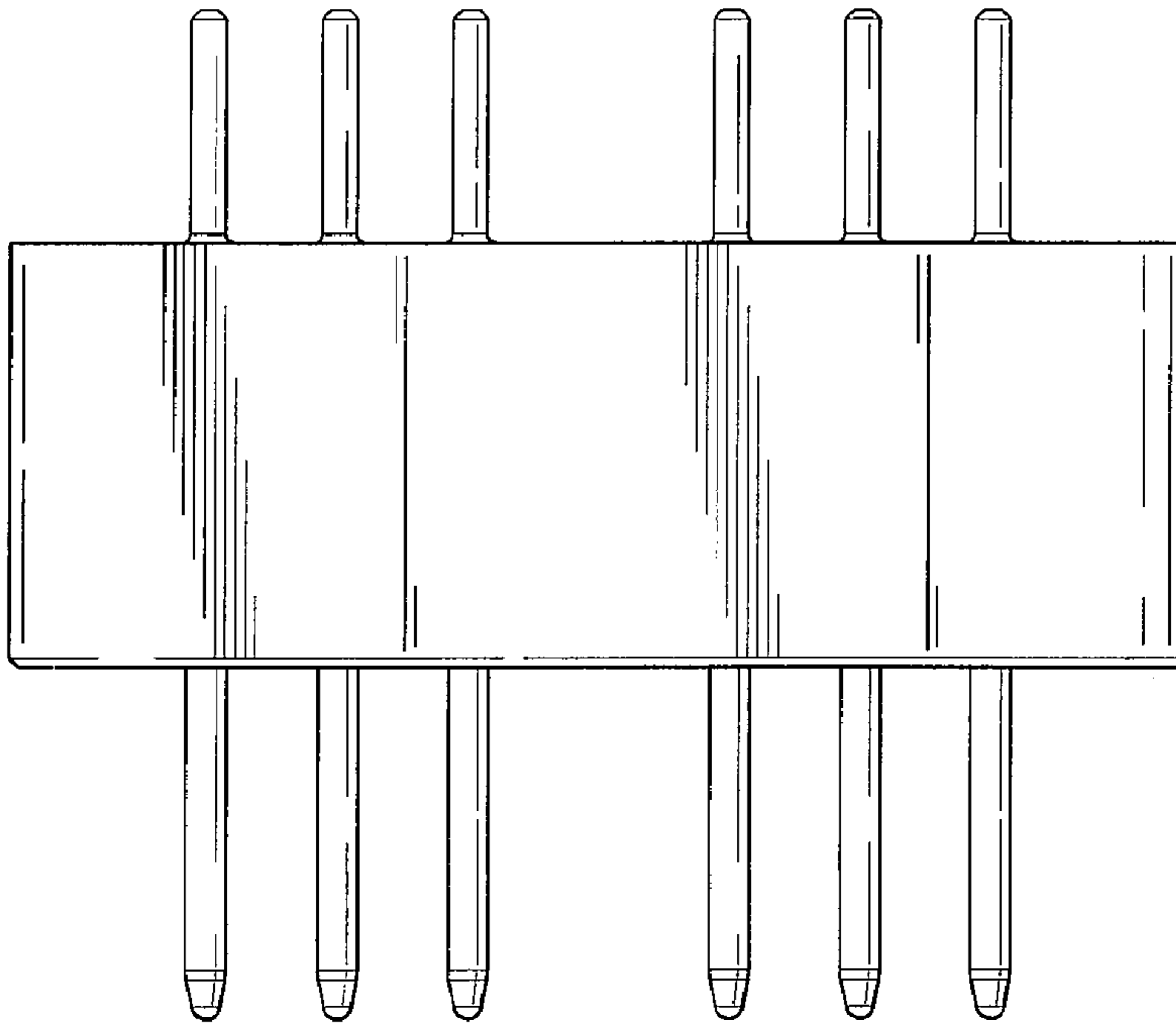


FIG. 4

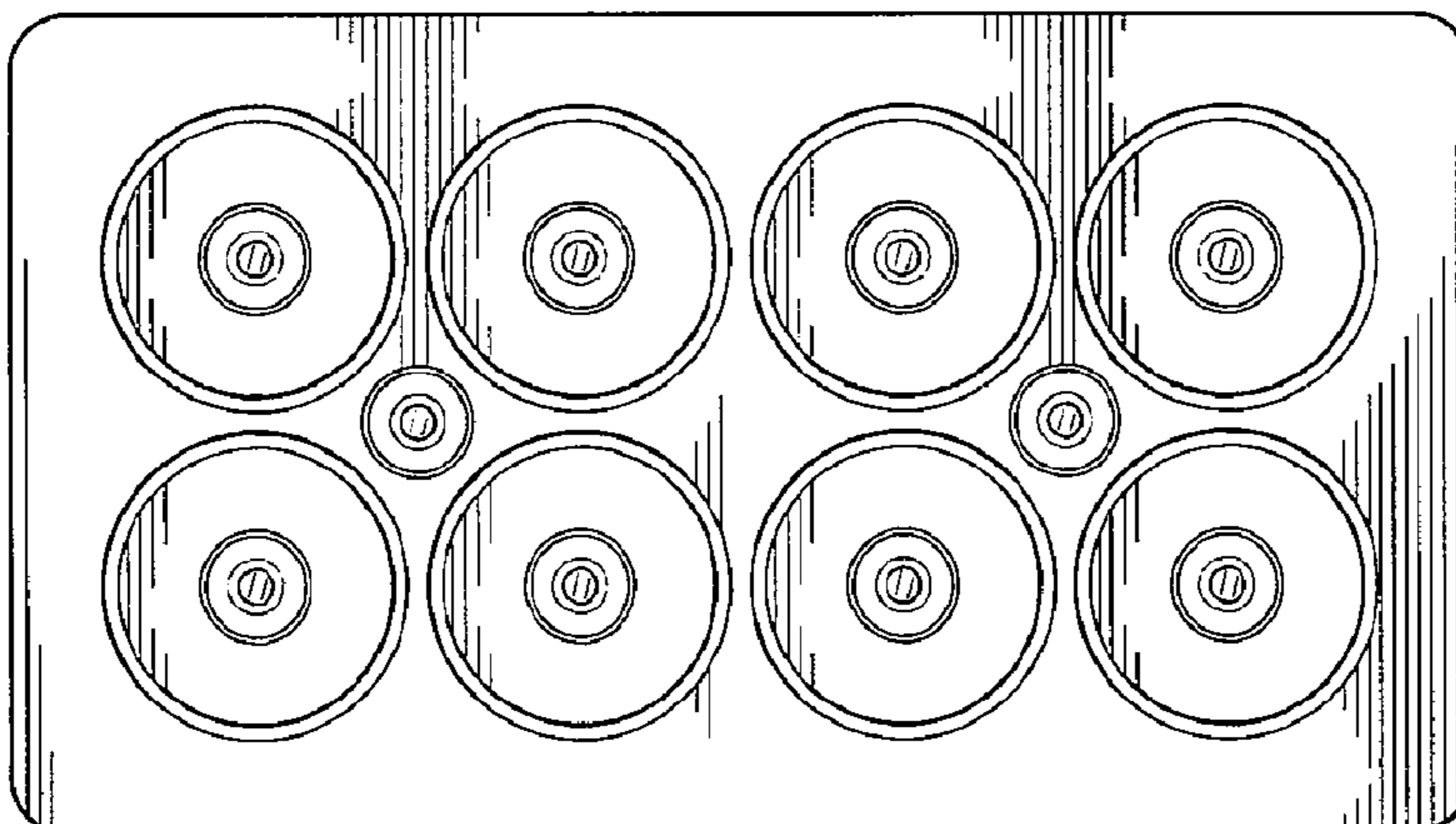


FIG. 5