



US00D563877S

(12) **United States Design Patent Grant**

(10) **Patent No.: US D563,877 S**

(45) **Date of Patent: \*\* \*Mar. 11, 2008**

(54) **ELECTRICAL CONNECTOR**

(75) Inventor: **John L. Grant**, Sherborn, MA (US)

(73) Assignee: **AirBorn, Inc.**, Addison, TX (US)

(\*) Notice: This patent is subject to a terminal disclaimer.

(\*\*) Term: **14 Years**

(21) Appl. No.: **29/283,516**

(22) Filed: **Aug. 16, 2007**

(51) **LOC (8) Cl.** ..... **13-03**

(52) **U.S. Cl.** ..... **D13/147**

(58) **Field of Classification Search** ..... D13/133,  
D13/146-147, 154, 184; 439/607-610, 613-614,  
439/675-677, 680

See application file for complete search history.

(56) **References Cited**

**U.S. PATENT DOCUMENTS**

2,659,872	A *	11/1953	Gilbert	.....	439/248
D200,645	S *	3/1965	Schumacher	.....	D13/146
D208,550	S *	9/1967	Schumacher	.....	D13/147
D252,082	S *	6/1979	Voelkert	.....	D13/146
4,179,179	A *	12/1979	Lowden	.....	439/278
D264,711	S *	6/1982	Ford	.....	D13/147
D270,246	S *	8/1983	Freimuth	.....	D13/146
4,737,116	A *	4/1988	Slye et al.	.....	439/92
4,861,271	A *	8/1989	Bogar et al.	.....	439/63

D308,511	S *	6/1990	Makita et al.	.....	D13/146
D319,625	S *	9/1991	Nagasaka et al.	.....	D13/146
D326,084	S *	5/1992	Nagasaka et al.	.....	D13/147
D331,223	S *	11/1992	Hughes	.....	D13/147
D389,801	S *	1/1998	Foye	.....	D13/147
D408,789	S *	4/1999	Middlehurst et al.	.....	D13/154
D412,489	S *	8/1999	Middlehurst et al.	.....	D13/147
D457,860	S *	5/2002	Larsen et al.	.....	D13/147
D458,901	S *	6/2002	Larsen et al.	.....	D13/147
6,702,617	B1 *	3/2004	Clement et al.	.....	439/608
D502,919	S *	3/2005	Studnicky, III	.....	D13/146

\* cited by examiner

*Primary Examiner*—Daniel Bui

(74) *Attorney, Agent, or Firm*—Locke Lord Bissell & Liddell, LLP

(57) **CLAIM**

The ornamental design for an electrical connector, as shown and described.

**DESCRIPTION**

FIG. 1 is a front perspective view of an electrical connector showing my new design;

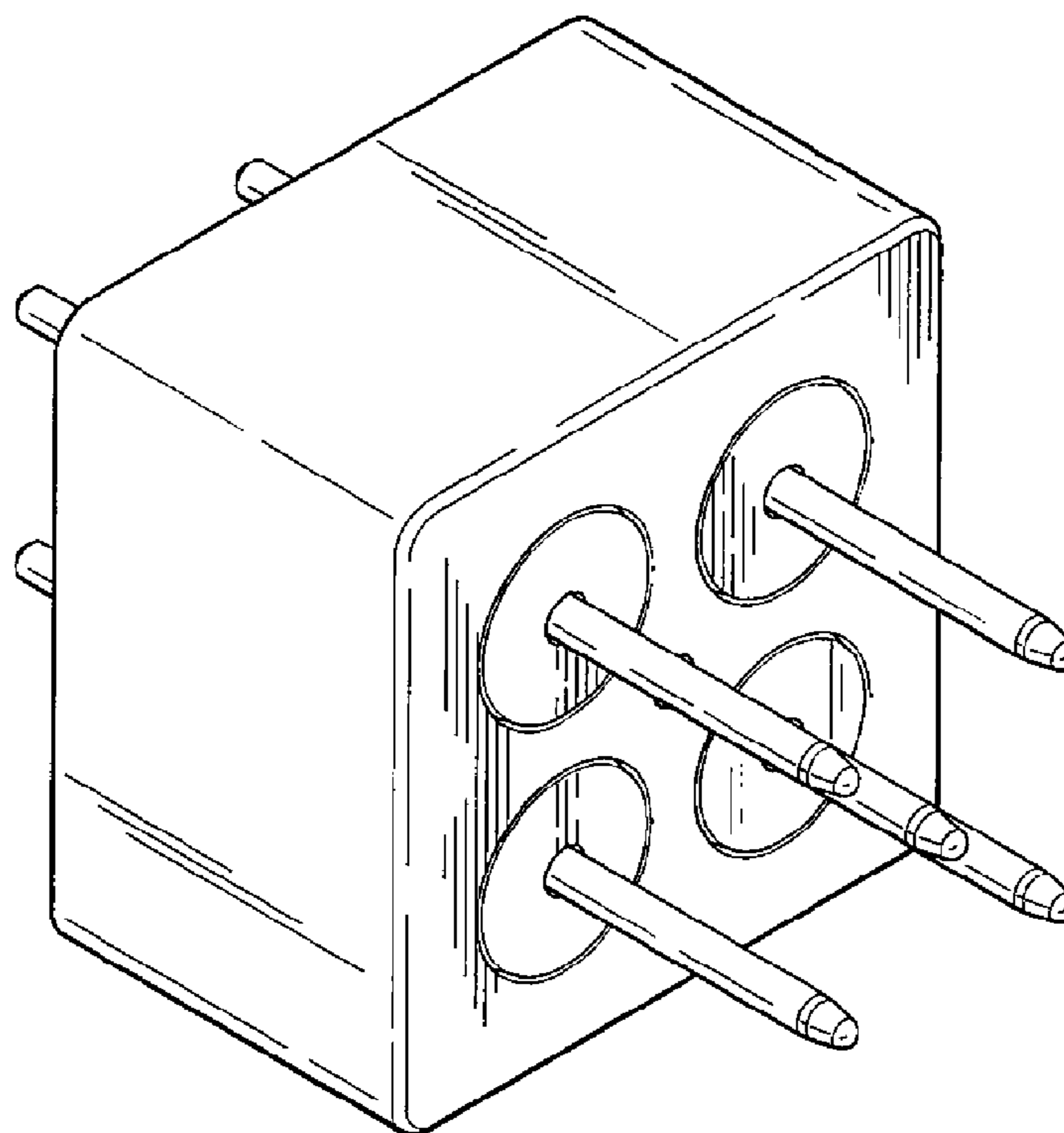
FIG. 2 is a rear perspective view thereof;

FIG. 3 is a front elevation view thereof;

FIG. 4 is a top plan view thereof; and,

FIG. 5 is a rear elevation view thereof.

**1 Claim, 1 Drawing Sheet**



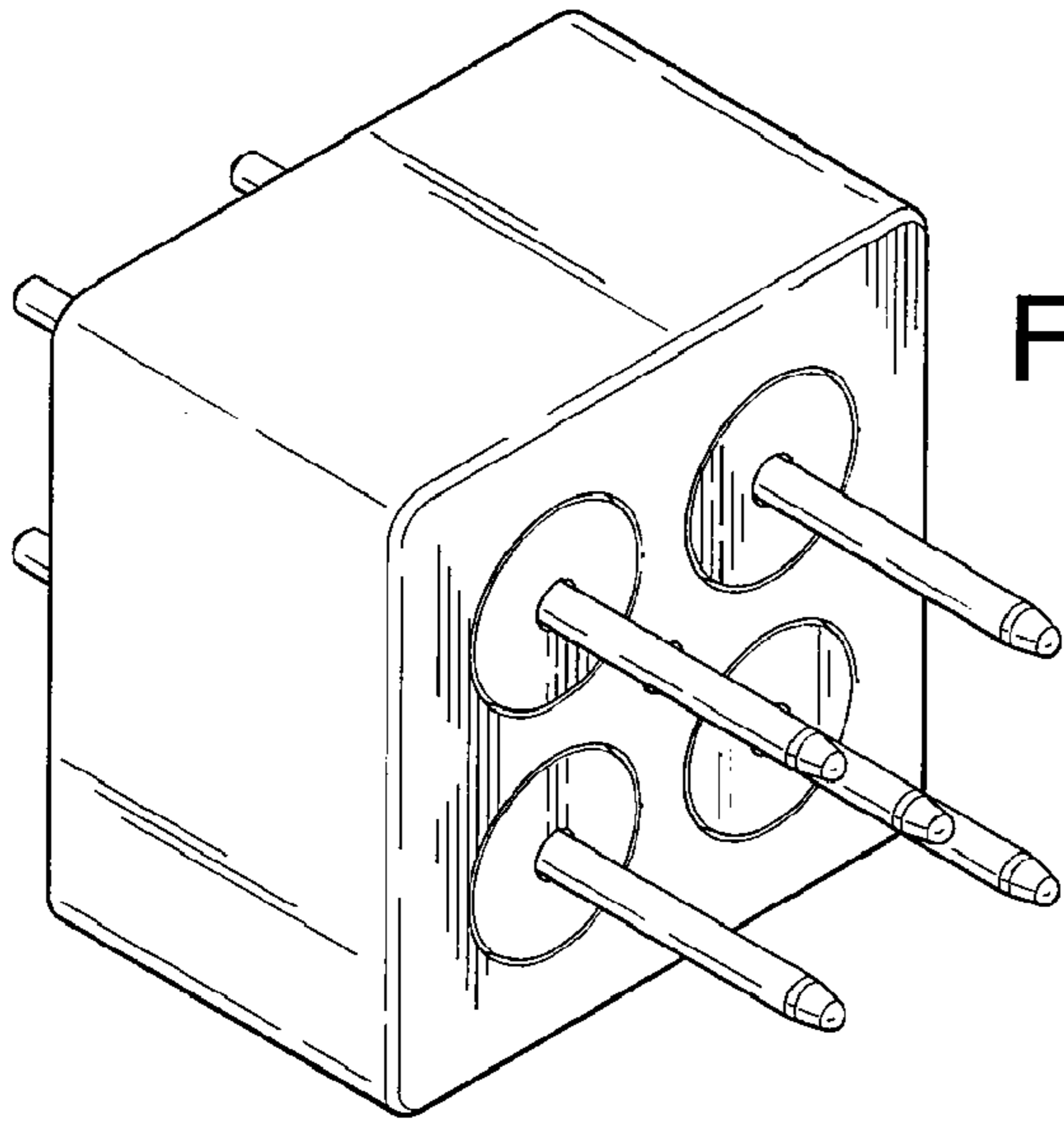


FIG. 1

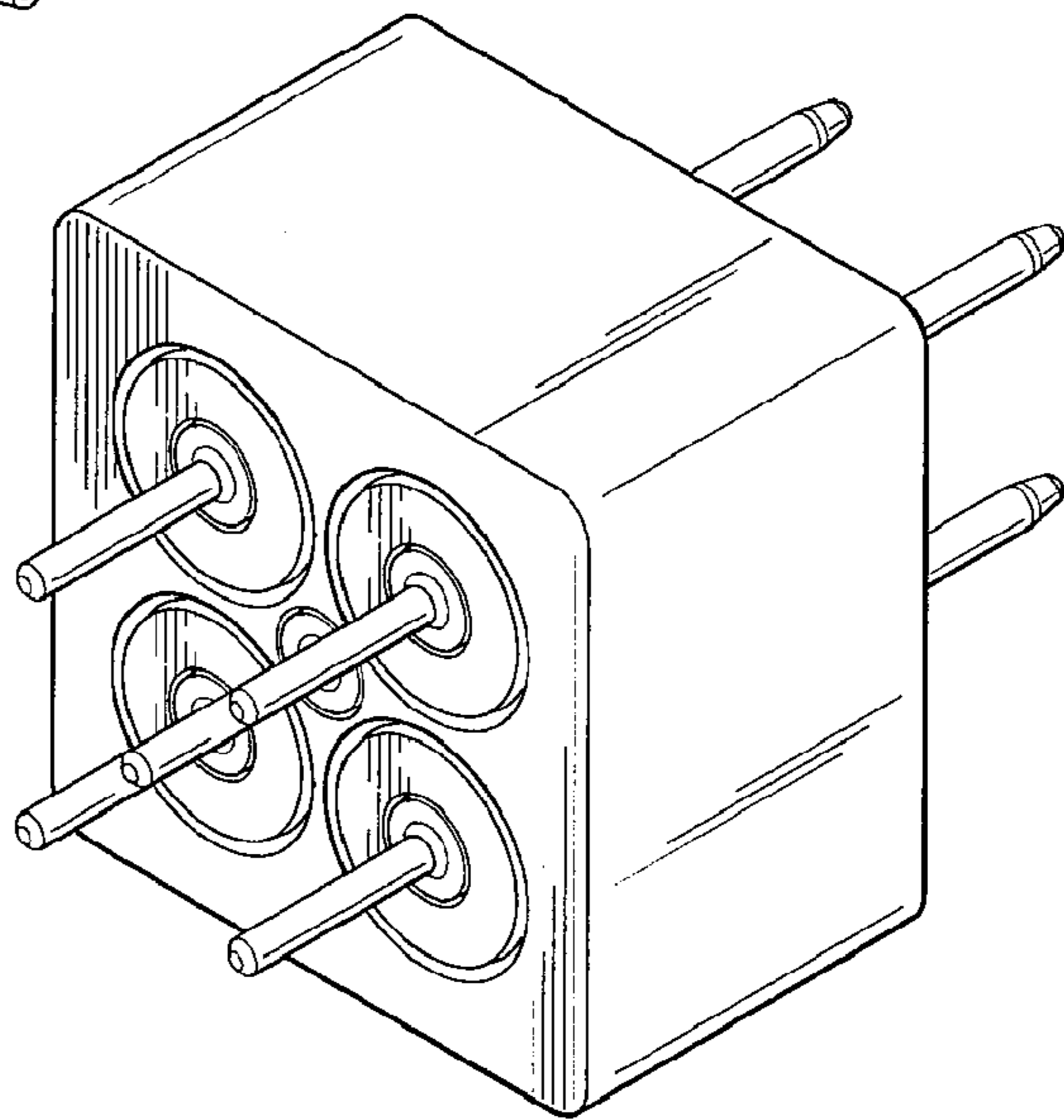


FIG. 2

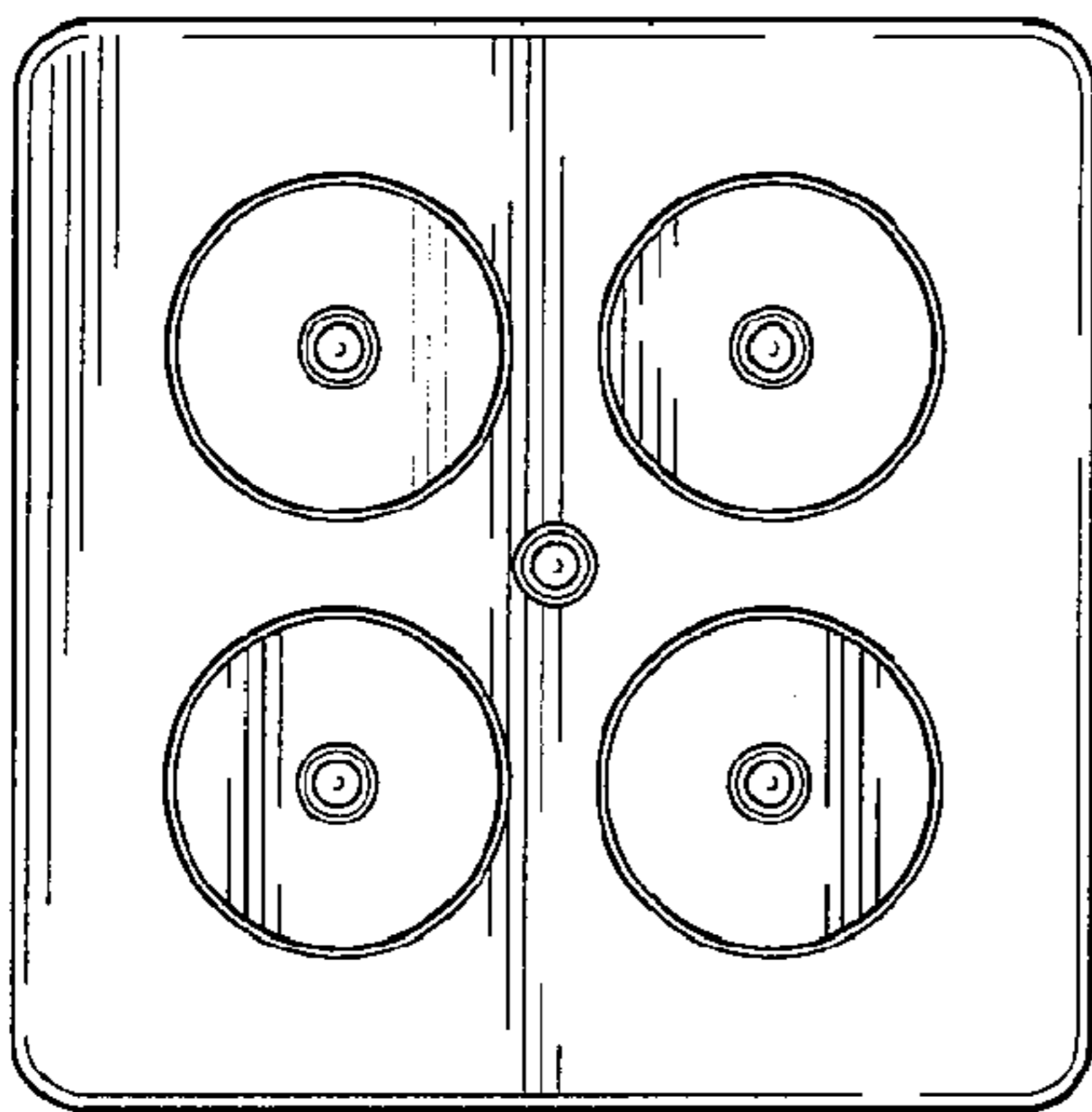


FIG. 3

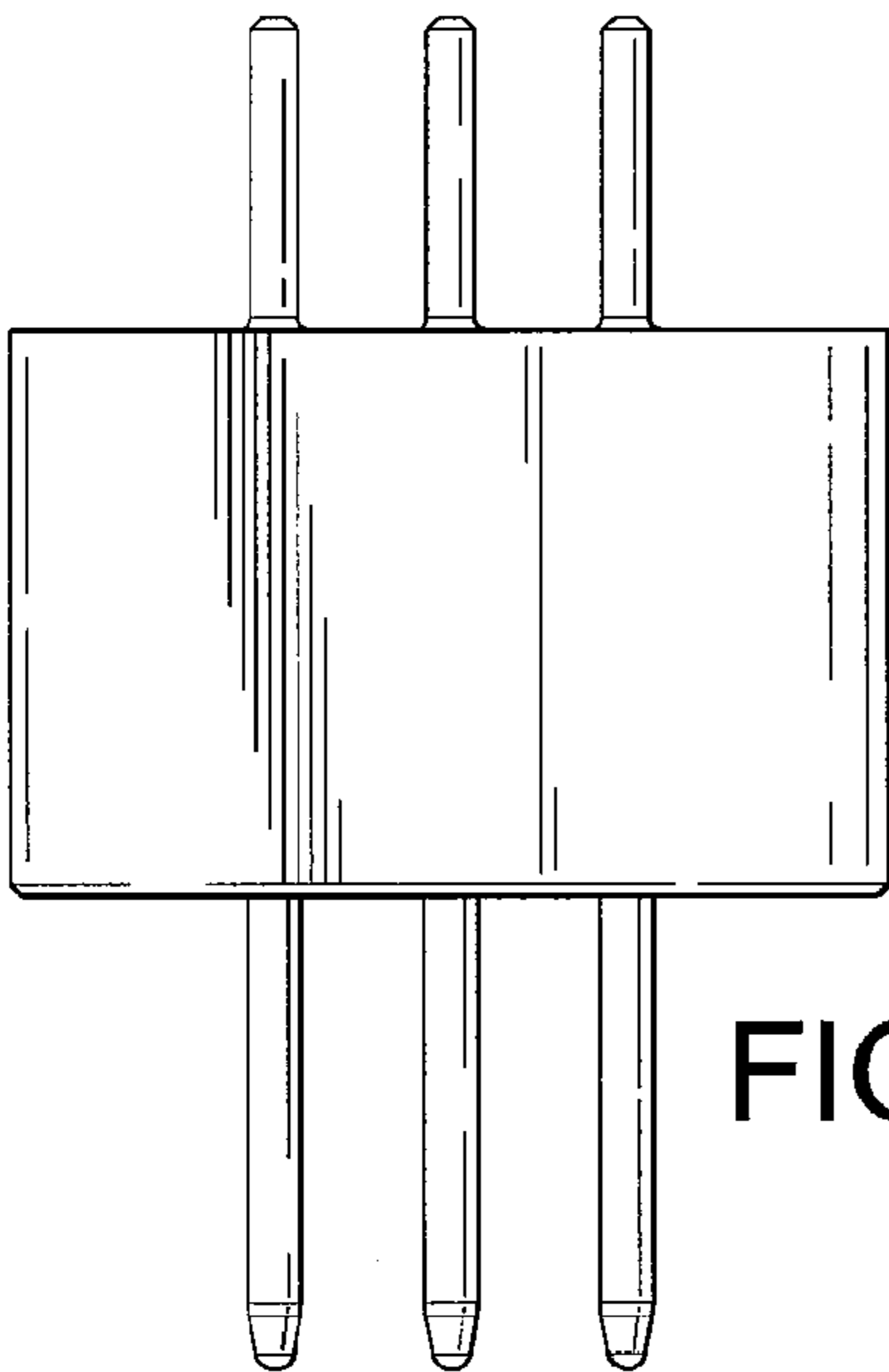


FIG. 4

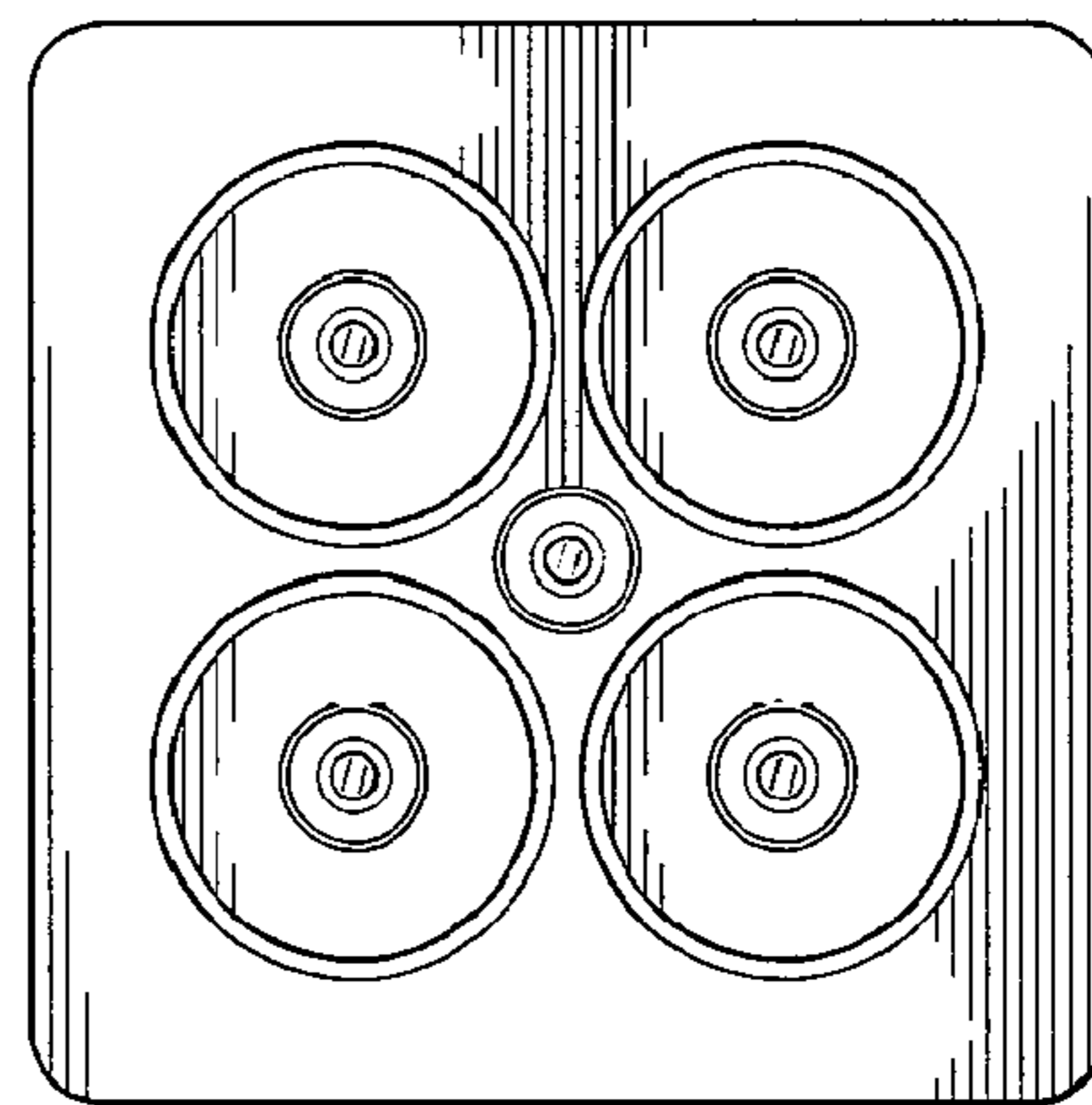


FIG. 5