

US00D563876S

(12) **United States Design Patent**
Masubuchi et al.

(10) **Patent No.:** **US D563,876 S**
(45) **Date of Patent:** **** Mar. 11, 2008**

(54) **ELECTRIC CONNECTOR**

D543,152 S * 5/2007 Sato et al. D13/147
D544,445 S * 6/2007 Sato et al. D13/147

(75) Inventors: **Tadashi Masubuchi**, Tochigi (JP);
Yasuyuki Koguchi, Moka (JP); **Takuya Higeta**, Moka (JP)

FOREIGN PATENT DOCUMENTS

JP 1295885 3/2007

(73) Assignee: **DDK Ltd.**, Tokyo (JP)

* cited by examiner

(**) Term: **14 Years**

Primary Examiner—Daniel Bui
(74) *Attorney, Agent, or Firm*—Sughrue Mion, PLLC.;
Pavel I. Pogodin, Esq.

(21) Appl. No.: **29/280,076**

(22) Filed: **May 15, 2007**

(57) **CLAIM**

(30) **Foreign Application Priority Data**

Nov. 16, 2006 (JP) D2006-031414

The ornamental design for an electric connector, as shown and described.

(51) **LOC (8) Cl.** **13-03**

(52) **U.S. Cl.** **D13/147**

(58) **Field of Classification Search** D13/146-147,
D13/154, 184; D14/432-433, 435-436,
D14/438; 439/64, 79, 159-160, 260, 325,
439/329, 395, 422, 492, 495, 630, 607-610,
439/862

DESCRIPTION

See application file for complete search history.

FIG. 1 is a first perspective view of an electric connector showing our new design;

FIG. 2 is a second perspective view thereof;

FIG. 3 is a third perspective view thereof;

FIG. 4 is a fourth perspective view thereof;

FIG. 5 is a front view thereof;

FIG. 6 is a rear view thereof;

FIG. 7 is a left side view thereof;

FIG. 8 is a right side view thereof;

FIG. 9 is a top plan view thereof; and,

FIG. 10 is a bottom plan view thereof.

(56) **References Cited**

U.S. PATENT DOCUMENTS

D378,208 S * 2/1997 Saito D13/147
5,993,263 A * 11/1999 Sampson 439/660
D469,407 S * 1/2003 Wu D13/147
D498,210 S * 11/2004 Zhang D13/147
D529,445 S * 10/2006 Ro D13/147

1 Claim, 3 Drawing Sheets

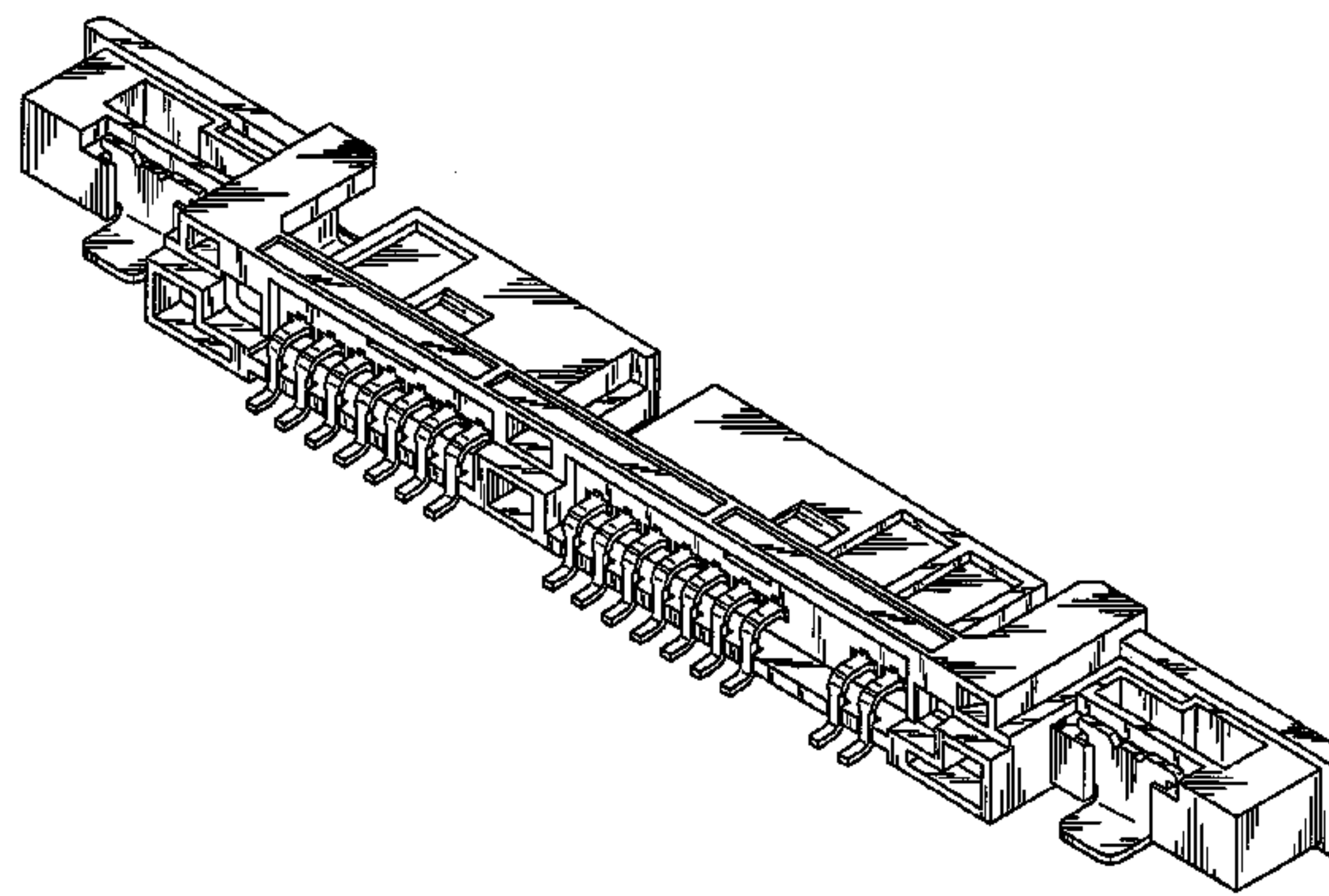
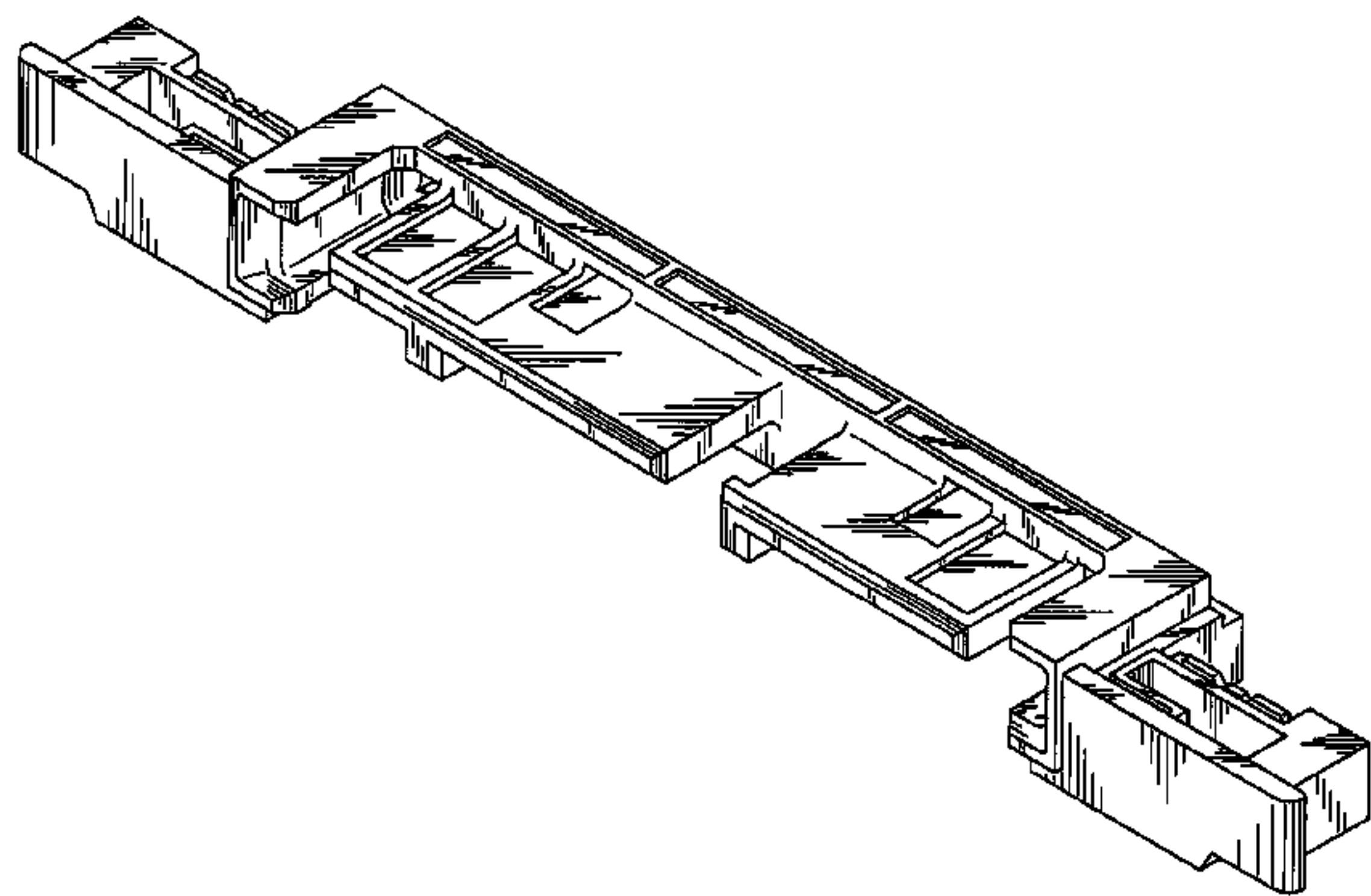


Fig.1

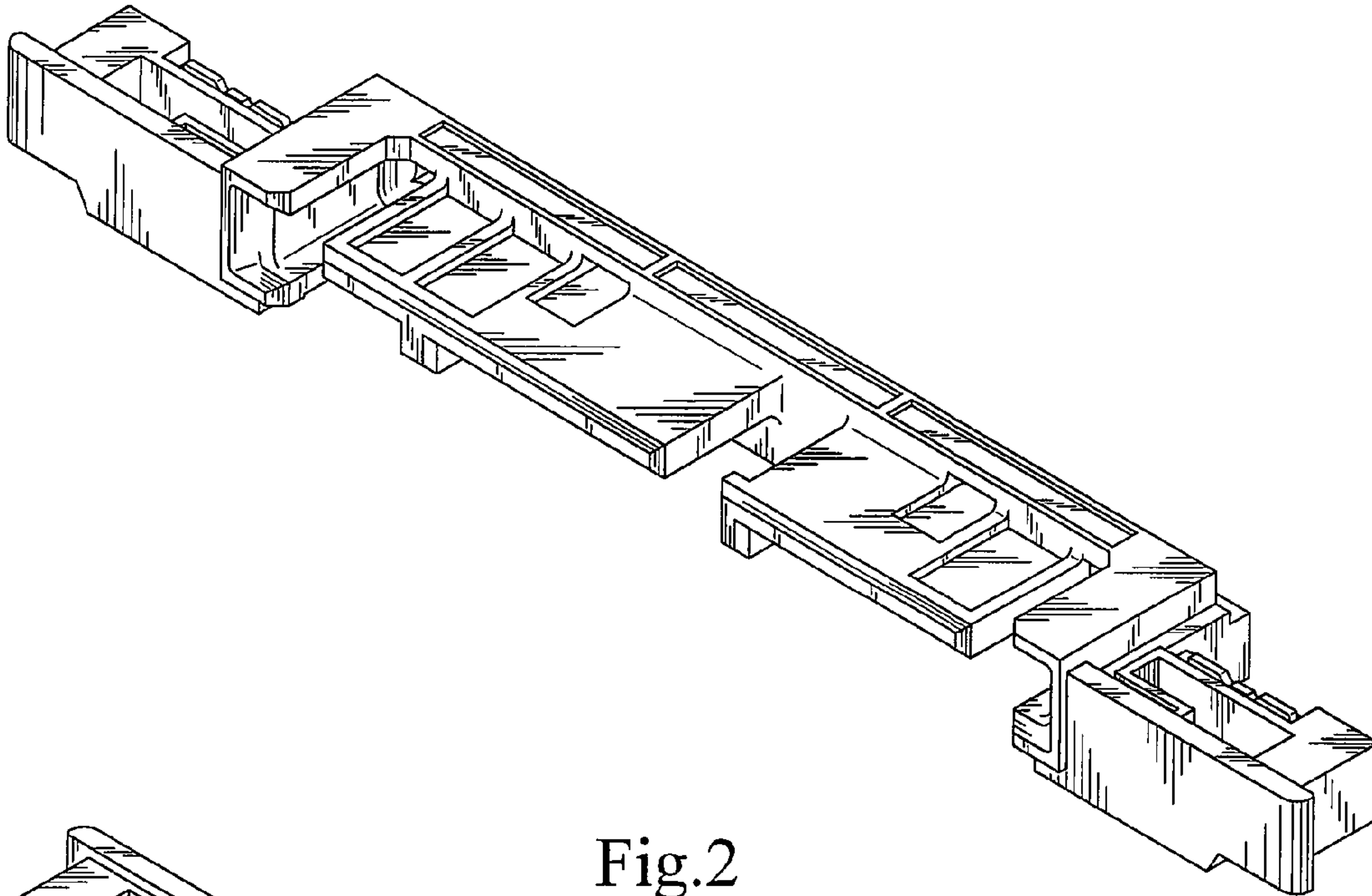


Fig.2

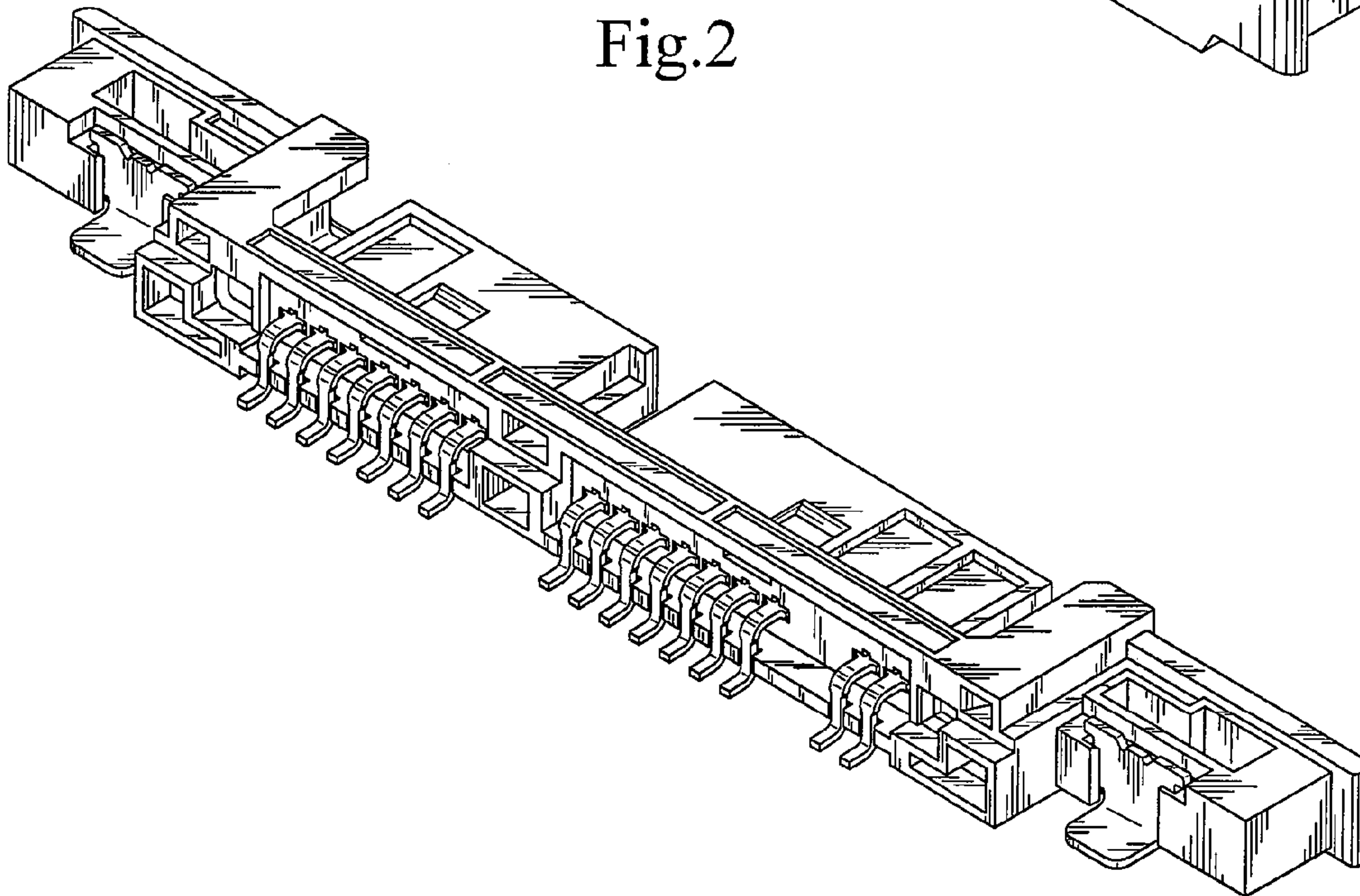


Fig.3

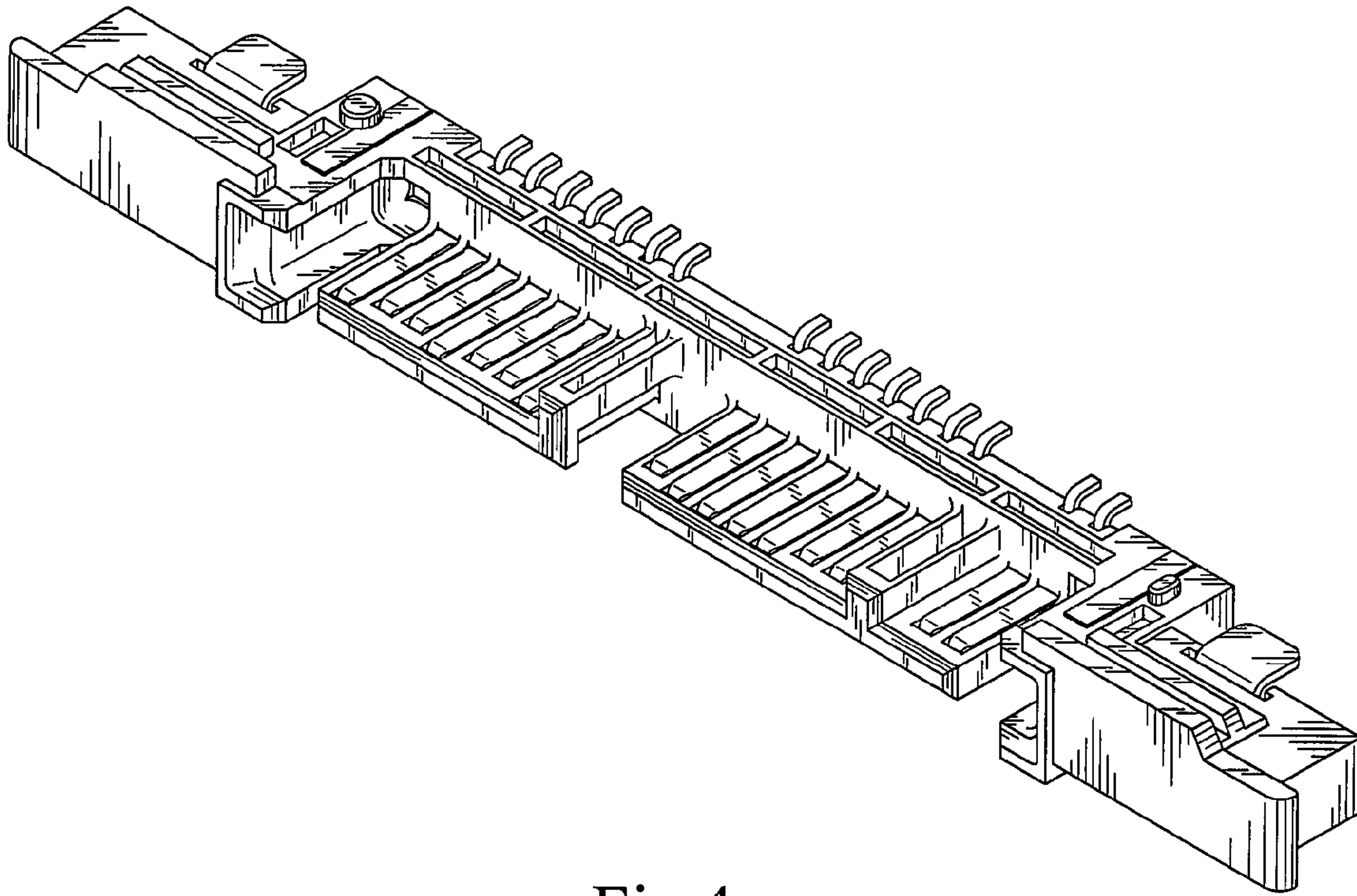


Fig.4

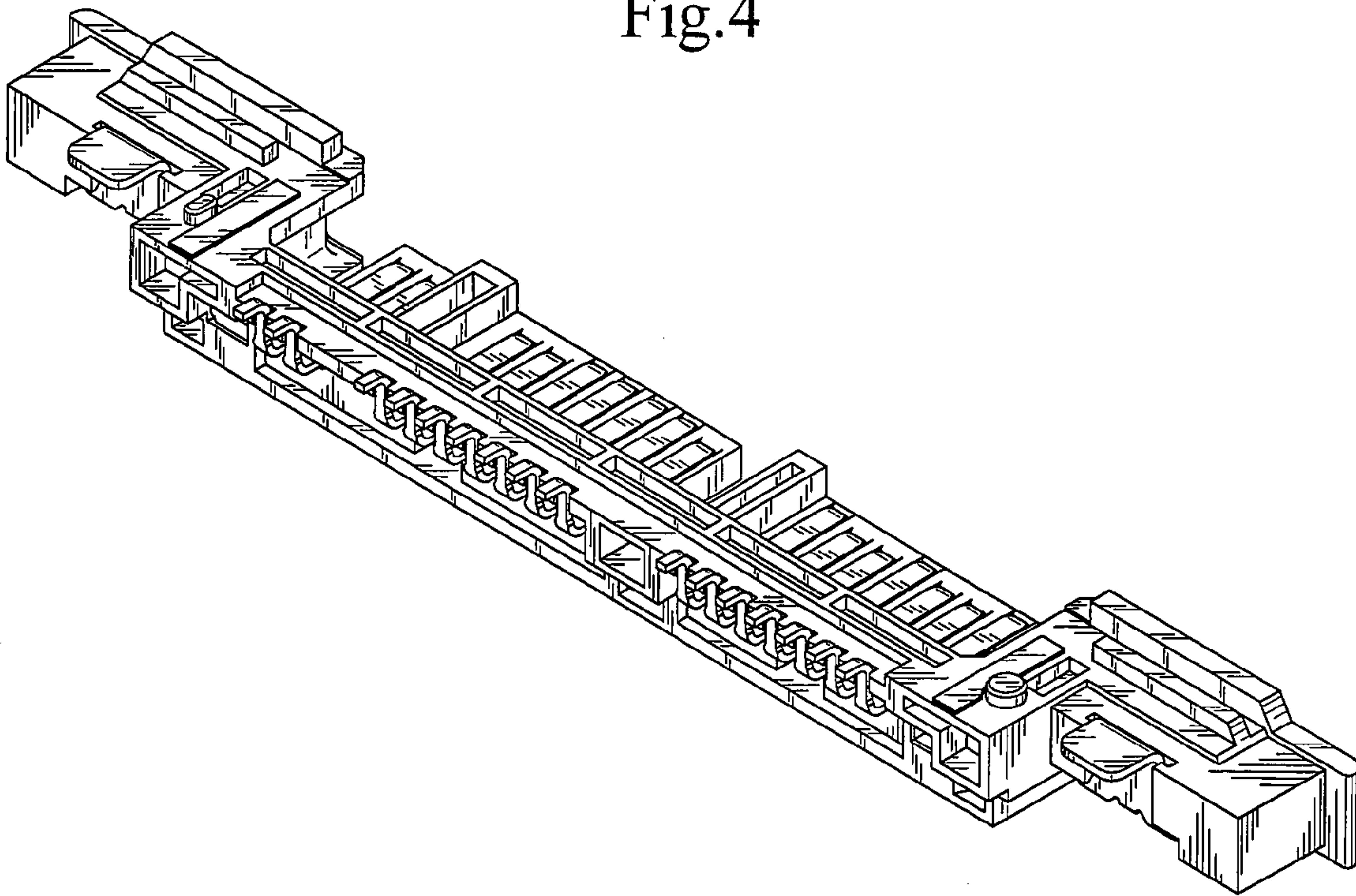


Fig.5

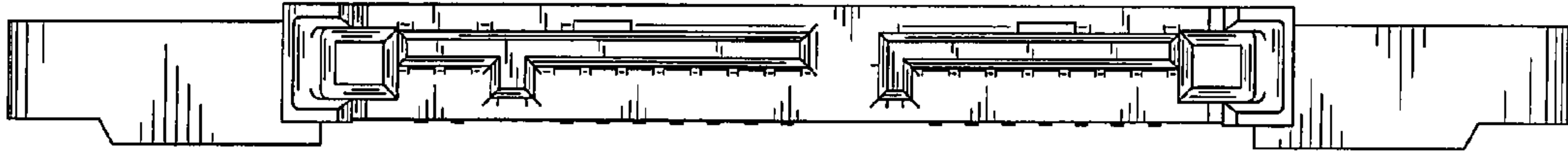


Fig.6

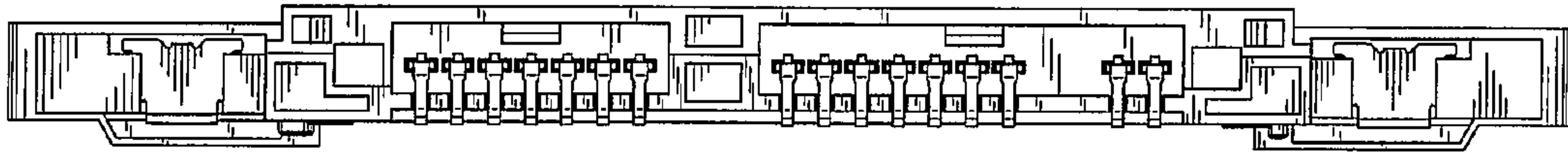


Fig.7



Fig.8



Fig.9

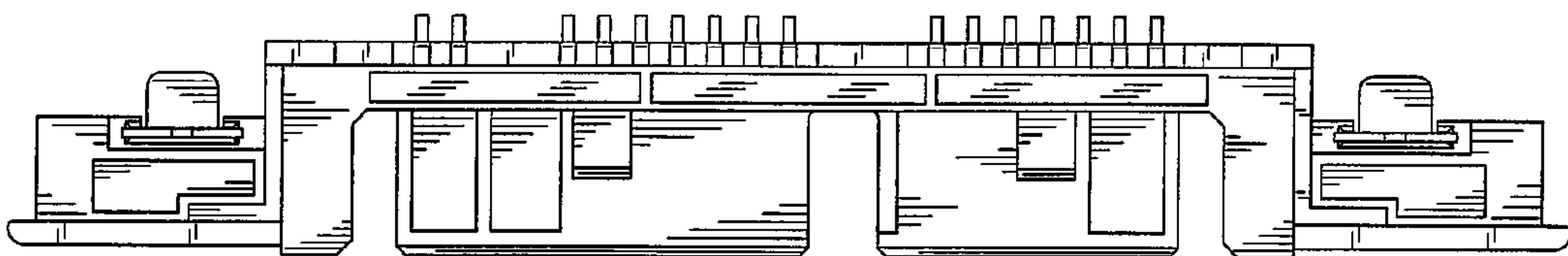


Fig.10

