



US00D563875S

(12) **United States Design Patent**  
**Chang et al.**

(10) **Patent No.:** **US D563,875 S**

(45) **Date of Patent:** **\*\* \*Mar. 11, 2008**

(54) **USB CONNECTOR**

(75) Inventors: **Tzu-Wei Chang**, Tu-Cheng (TW);  
**Chung-Hsin Huang**, Tu-Cheng (TW);  
**Mei-Chuan Yang**, Tu-Cheng (TW);  
**Kai-Hsiang Chang**, Tu-Cheng (TW)

(73) Assignee: **Cheng Uei Precision Industry Co., Ltd.**, Taipei Hsien (TW)

(\*) Notice: This patent is subject to a terminal disclaimer.

(\*\*) Term: **14 Years**

(21) Appl. No.: **29/269,185**

(22) Filed: **Nov. 24, 2006**

(51) **LOC (8) Cl.** ..... **13-13**

(52) **U.S. Cl.** ..... **D13/147**

(58) **Field of Classification Search** ..... D13/123,  
D13/133, 146-147, 154, 184, 199; D14/356,  
D14/432, 433, 435, 438; 439/350, 352, 357-358,  
439/606-610, 660, 677, 680-682, 686, 936  
See application file for complete search history.

(56) **References Cited**

**U.S. PATENT DOCUMENTS**

6,783,397 B2\* 8/2004 Yang Lee ..... 439/607

D500,737 S \* 1/2005 Shao ..... D13/147  
D503,683 S \* 4/2005 Wang ..... D13/147  
2005/0255752 A1\* 11/2005 Huang ..... 439/607

\* cited by examiner

*Primary Examiner*—Daniel Bui  
(74) *Attorney, Agent, or Firm*—Rosenberg, Klein & Lee

(57) **CLAIM**

The ornamental design for a USB connector, as shown and described.

**DESCRIPTION**

FIG. 1 is a perspective view of a USB connector showing our new design;

FIG. 2 is a front elevational view thereof;

FIG. 3 is a rear elevational view thereof;

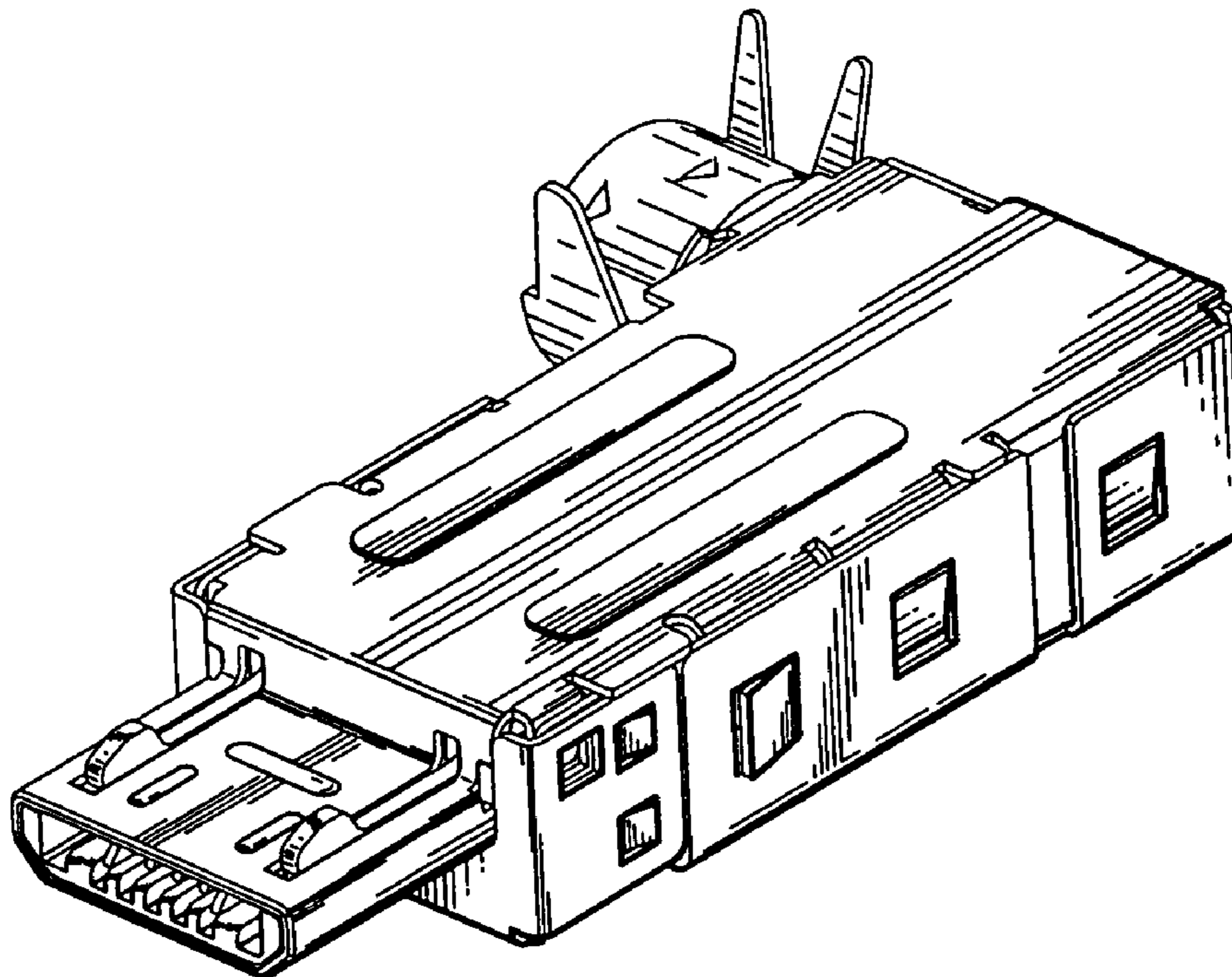
FIG. 4 is a left side elevational view thereof;

FIG. 5 is a right side elevational view thereof;

FIG. 6 is a top plan view thereof; and,

FIG. 7 is a bottom plan view thereof.

**1 Claim, 7 Drawing Sheets**



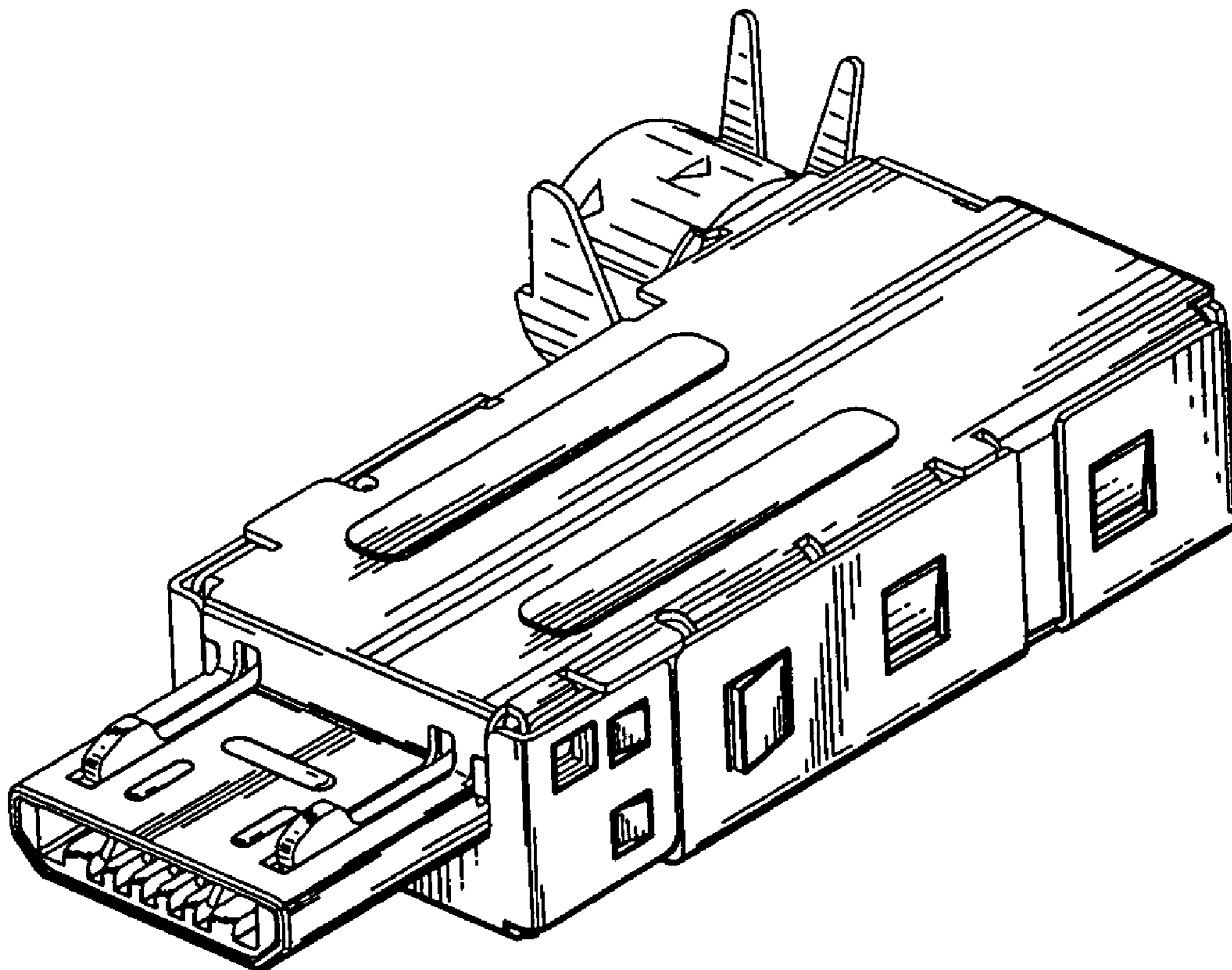


FIG. 1

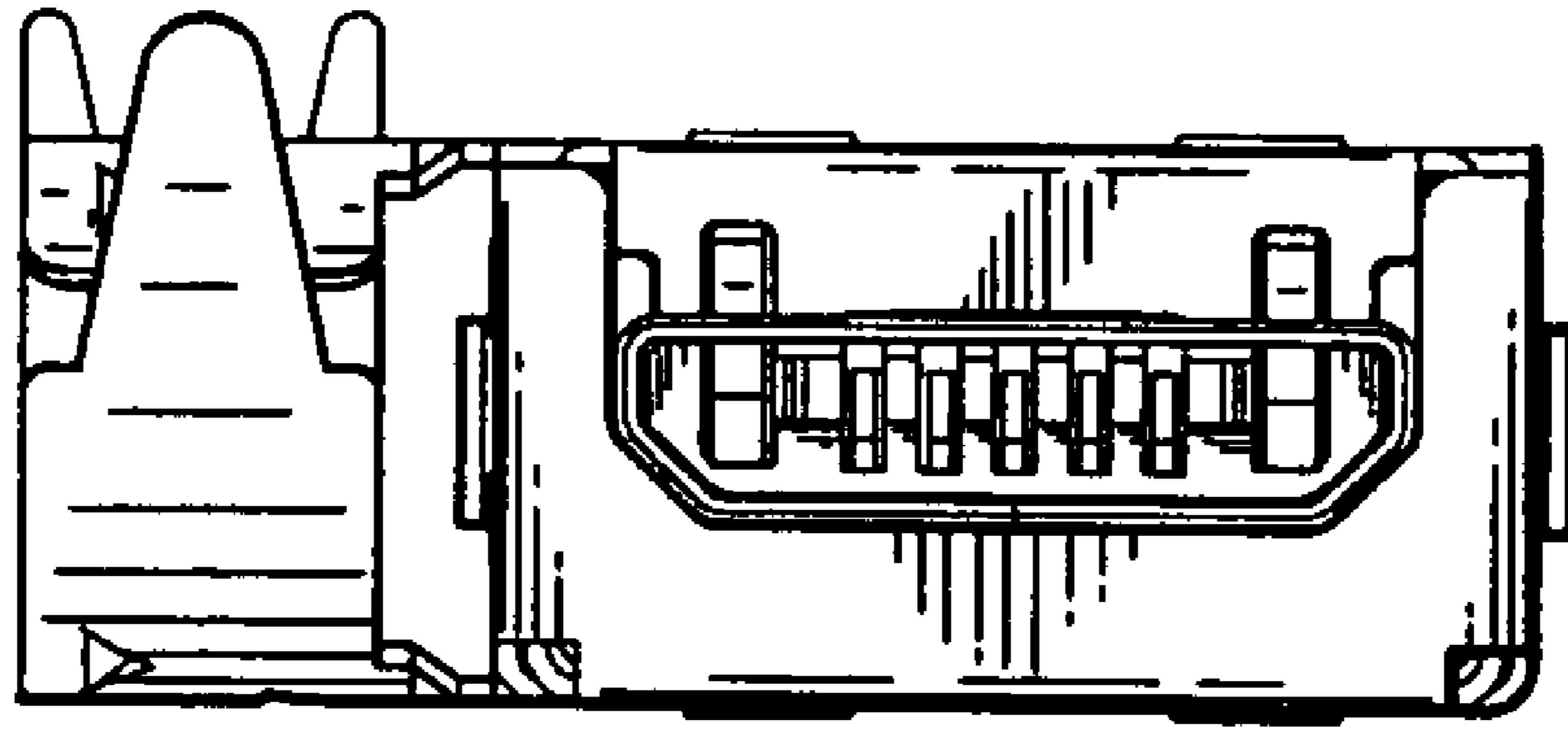


FIG. 2

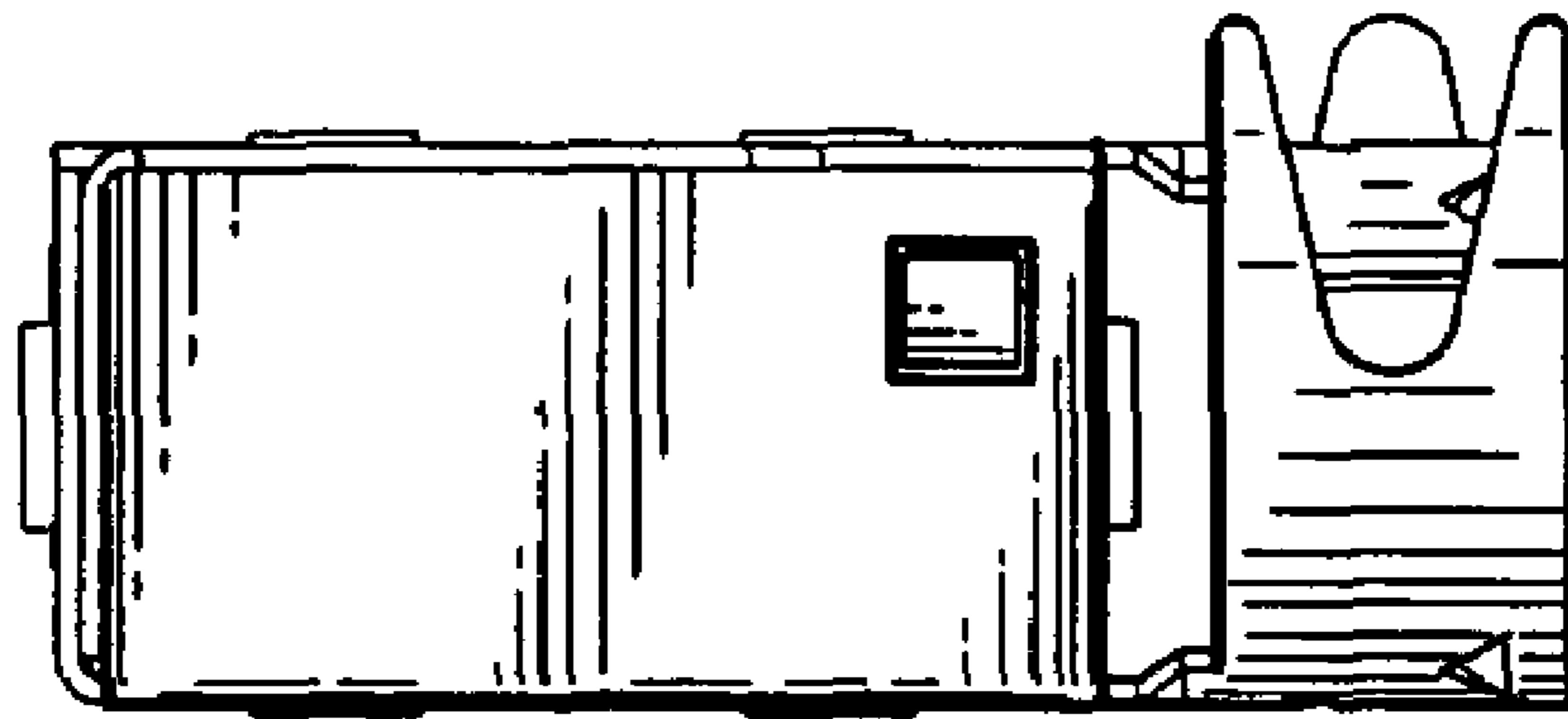


FIG. 3

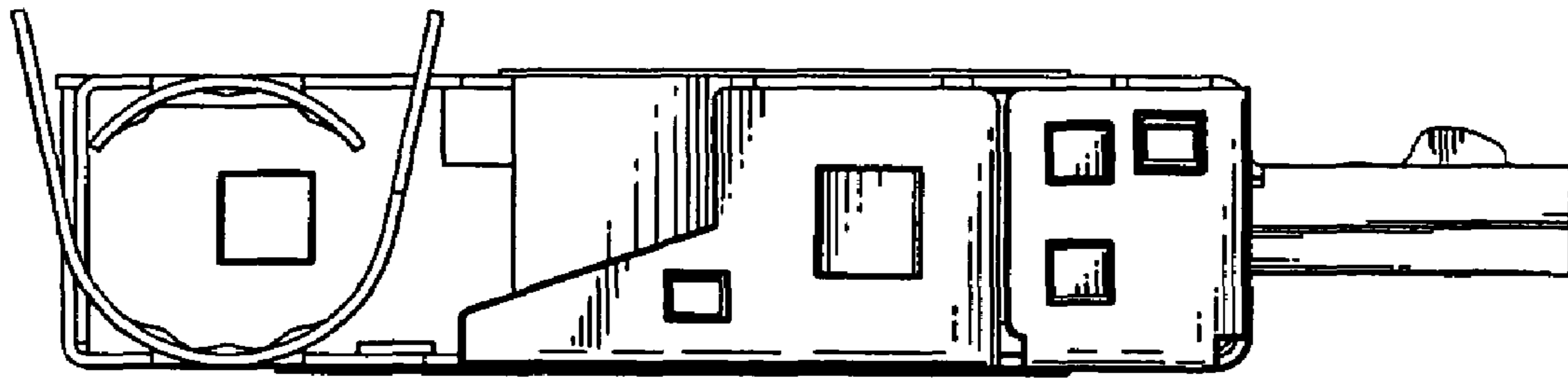


FIG. 4

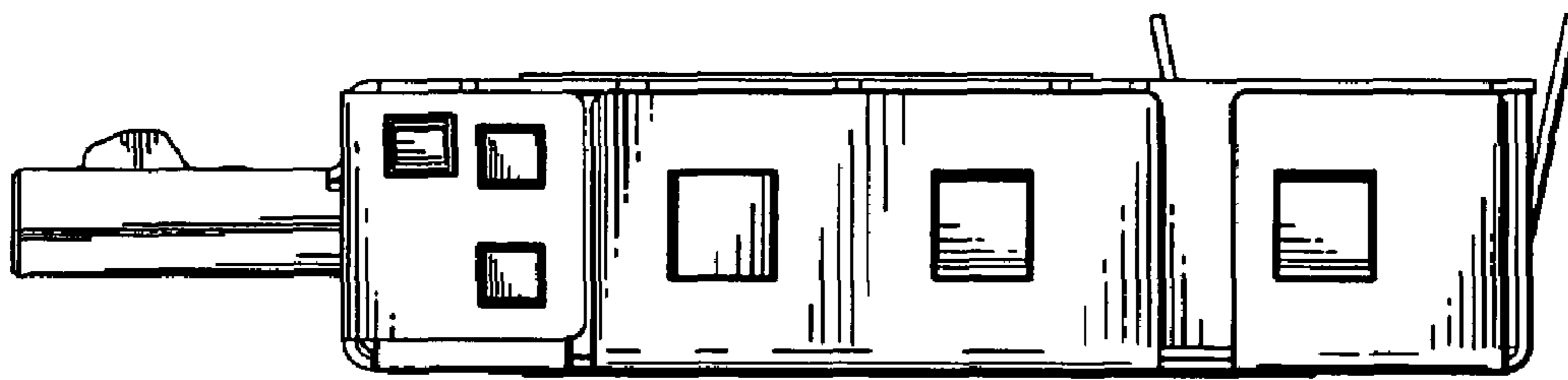


FIG. 5

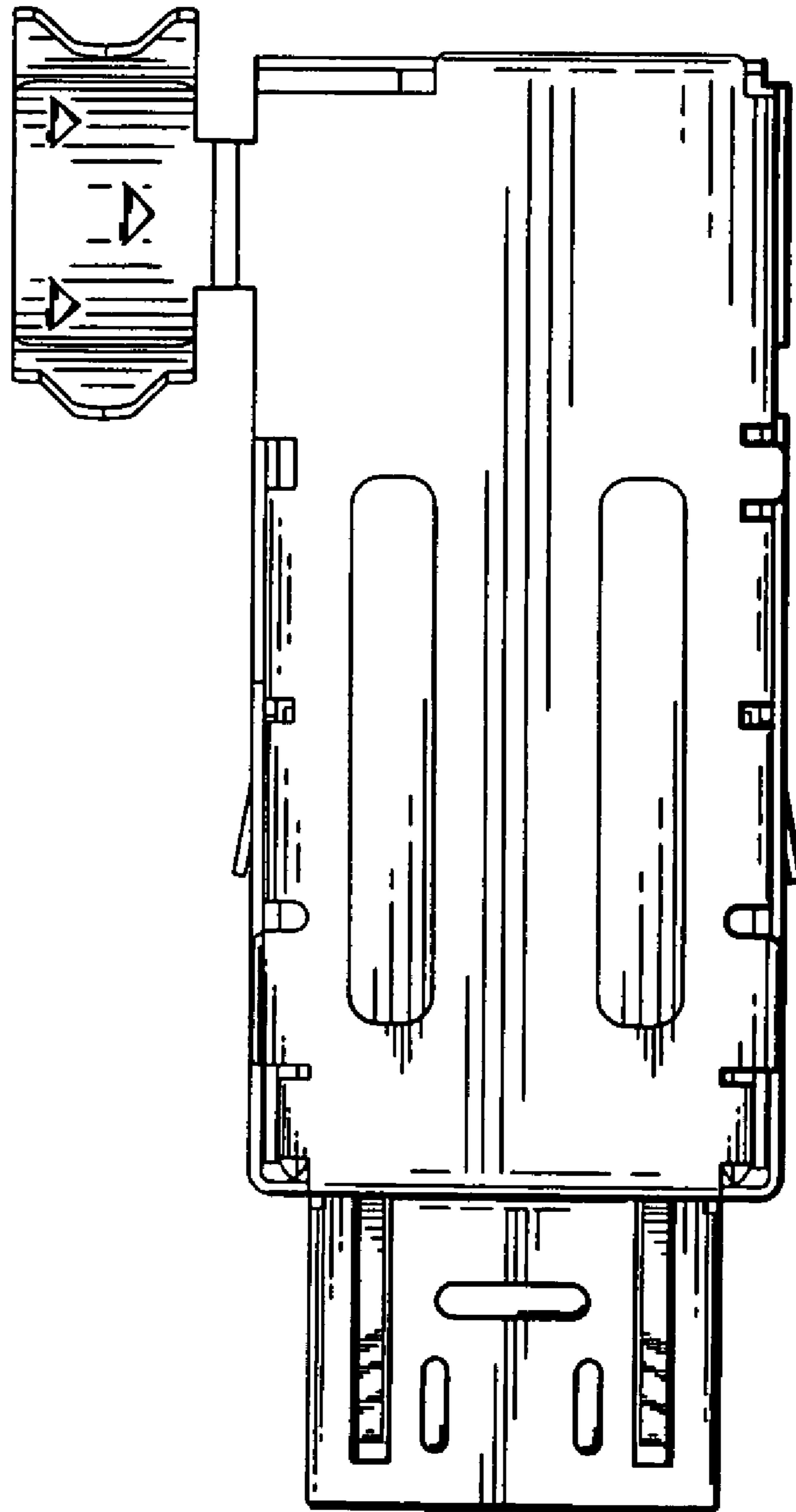


FIG. 6

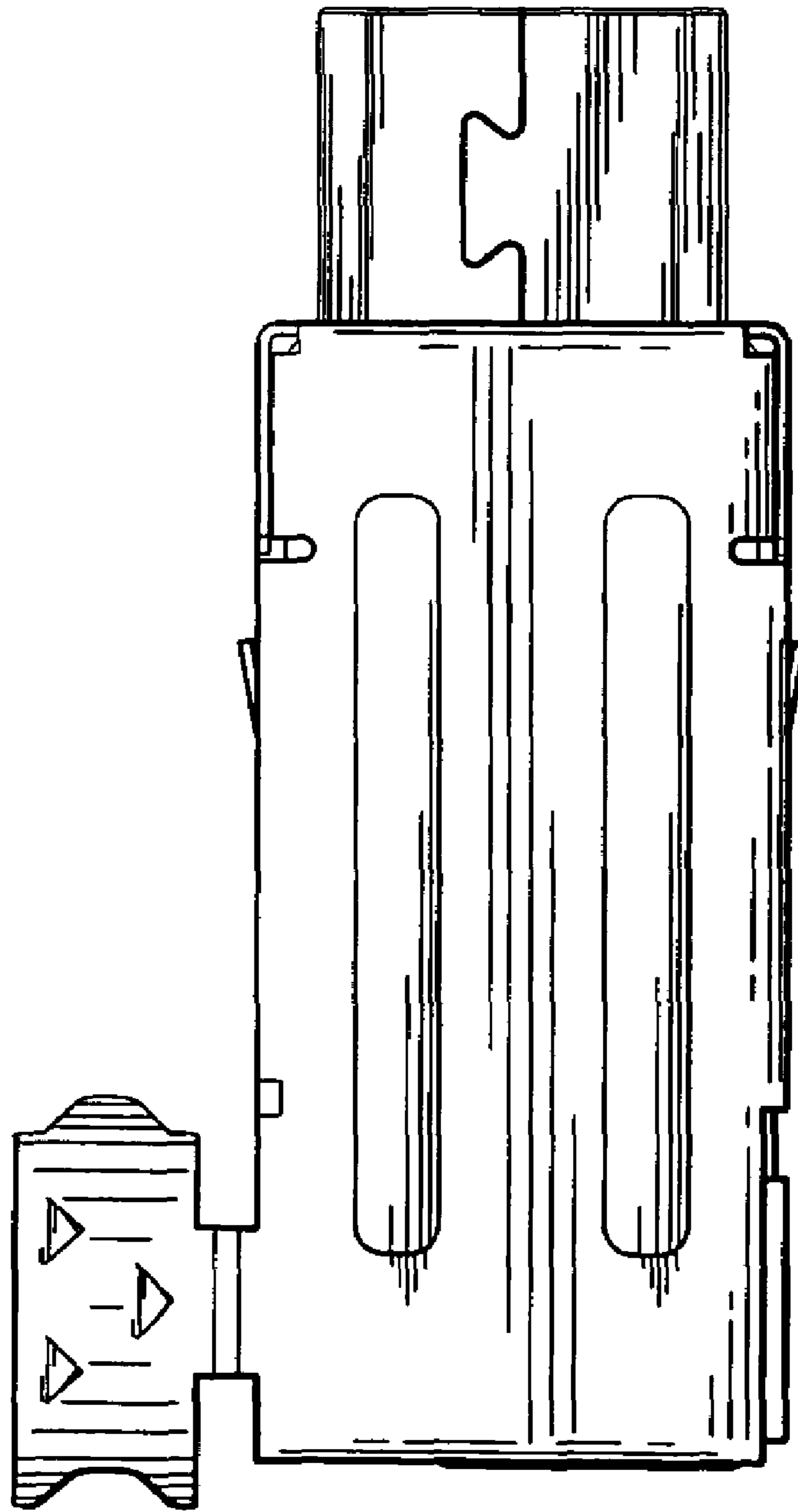


FIG. 7