



US00D563874S

(12) **United States Design Patent**
Hayashi

(10) **Patent No.:** **US D563,874 S**
(45) **Date of Patent:** **** Mar. 11, 2008**

(54) **CONNECTOR HOUSING**

(75) Inventor: **Toshiaki Hayashi**, Aichi (JP)

(73) Assignee: **Tyco Electronics AMP K.K.**,
Kanagawa-Ken (JP)

(**) Term: **14 Years**

(21) Appl. No.: **29/242,071**

(22) Filed: **Nov. 4, 2005**

(30) **Foreign Application Priority Data**

May 6, 2005 (JP) 2005-013121

(51) **LOC (8) Cl.** **13-03**

(52) **U.S. Cl.** **D13/147**

(58) **Field of Classification Search** D13/133,
D13/147, 154, 184, 199; 439/352, 372, 357-358,
439/495, 572, 594-595, 597-598, 680, 752,
439/540.1

See application file for complete search history.

(56) **References Cited**

U.S. PATENT DOCUMENTS

D311,380 S * 10/1990 Kameyama et al. D13/147
D324,671 S * 3/1992 Kawashima et al. D13/147
D325,372 S * 4/1992 Taguchi et al. D13/147
6,206,716 B1 * 3/2001 Saito 439/352
6,217,365 B1 * 4/2001 Shinozaki 439/358

D537,787 S * 3/2007 Hayashi D13/147
D538,229 S * 3/2007 Hayashi D13/147
2006/0116017 A1 * 6/2006 Hayashi et al. 439/352

* cited by examiner

Primary Examiner—Daniel Bui

(74) *Attorney, Agent, or Firm*—Barley Snyder LLC

(57) **CLAIM**

The ornamental design for a connector housing, as shown and described.

DESCRIPTION

FIG. 1 is a front elevation of a connector housing, showing my new design;

FIG. 2 is a top plan view thereof;

FIG. 3 is a bottom plan view thereof;

FIG. 4 is a right-side elevation view thereof;

FIG. 5 is a left-side elevation view thereof;

FIG. 6 is a rear elevation thereof;

FIG. 7 is a perspective view from a top, front, and right side thereof;

FIG. 8 is a perspective view from a bottom, front, and left side thereof; and,

FIG. 9 is a perspective view from a top, rear, and left side thereof.

1 Claim, 9 Drawing Sheets

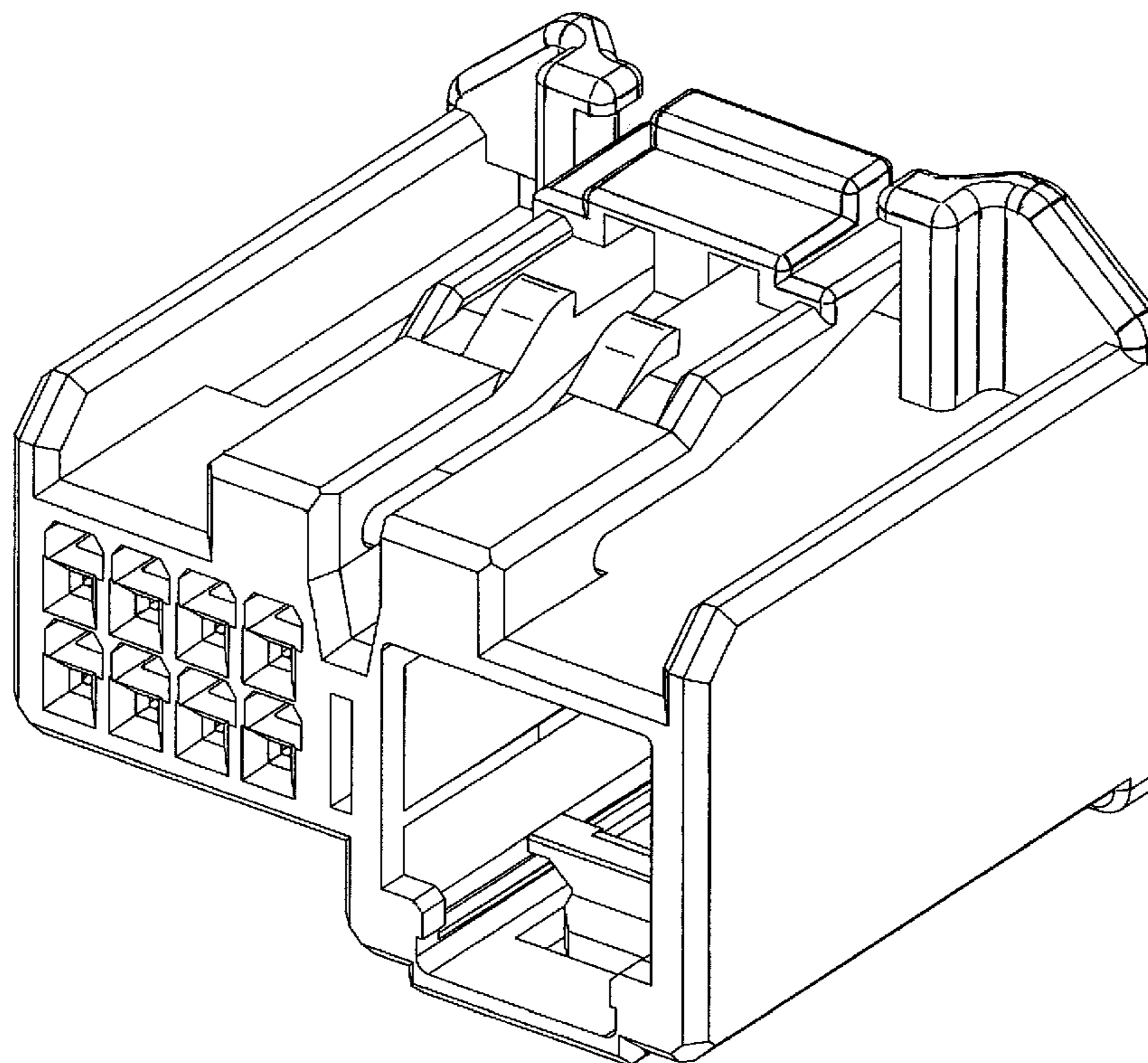


Fig. 1

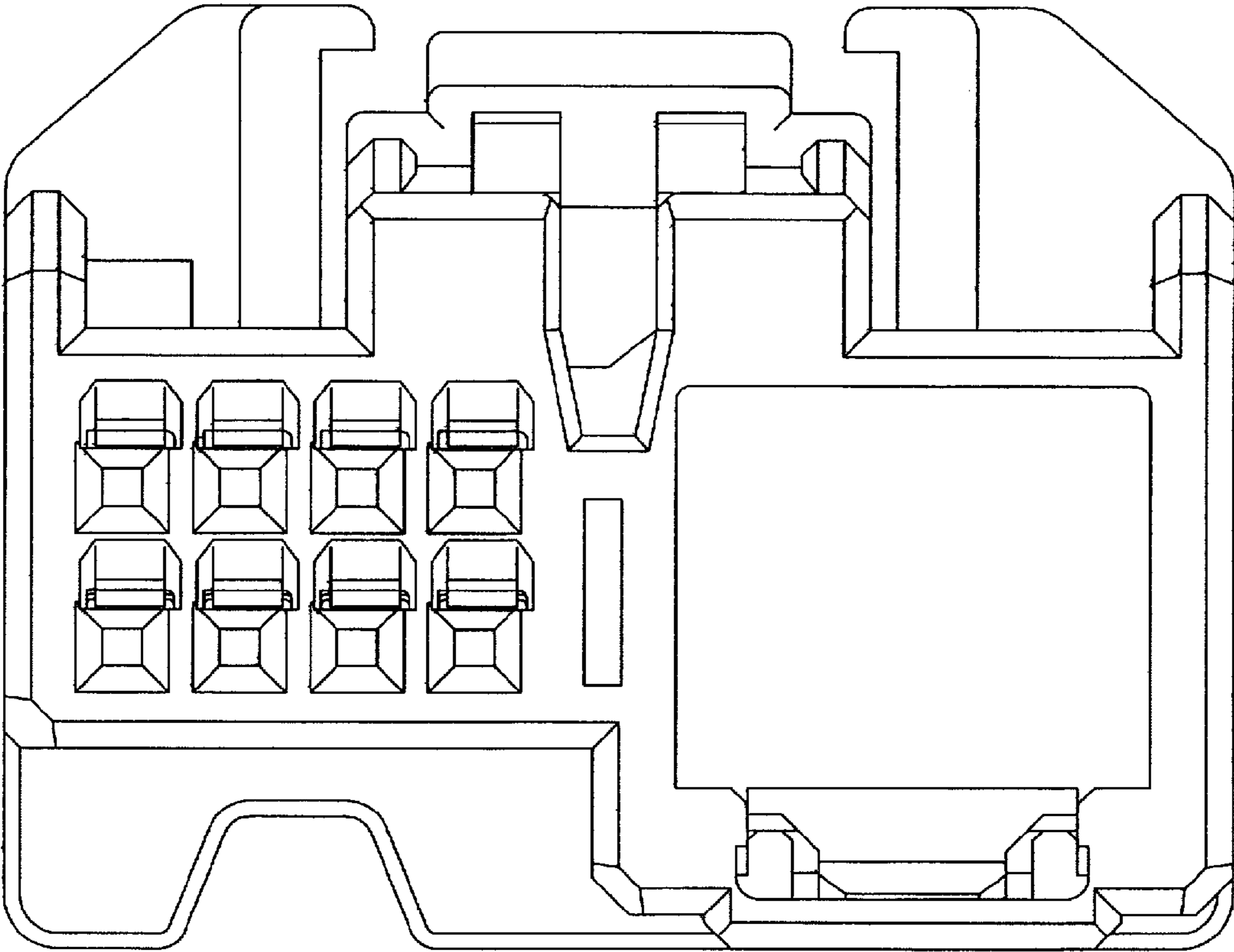


Fig. 2

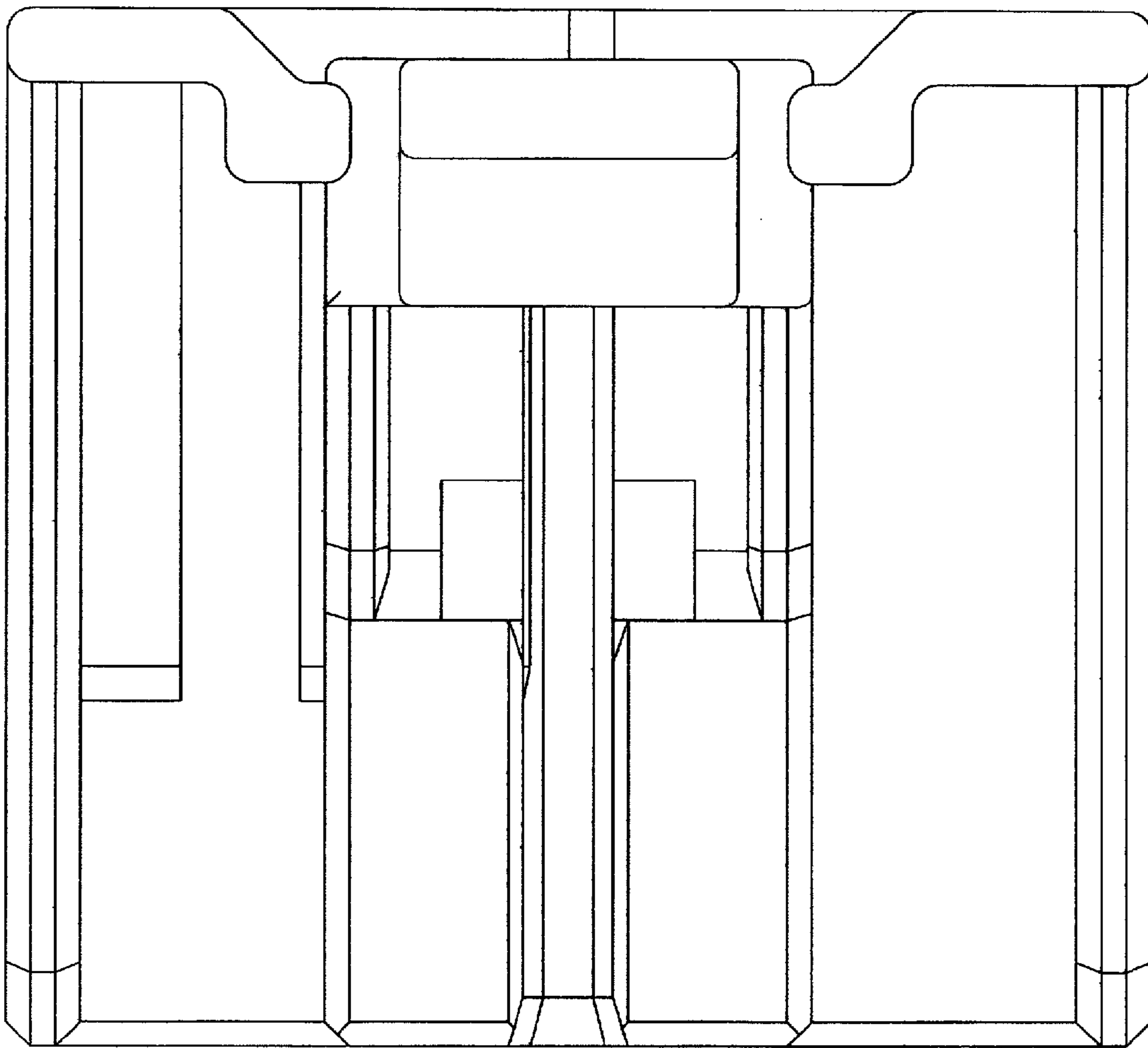


Fig. 3

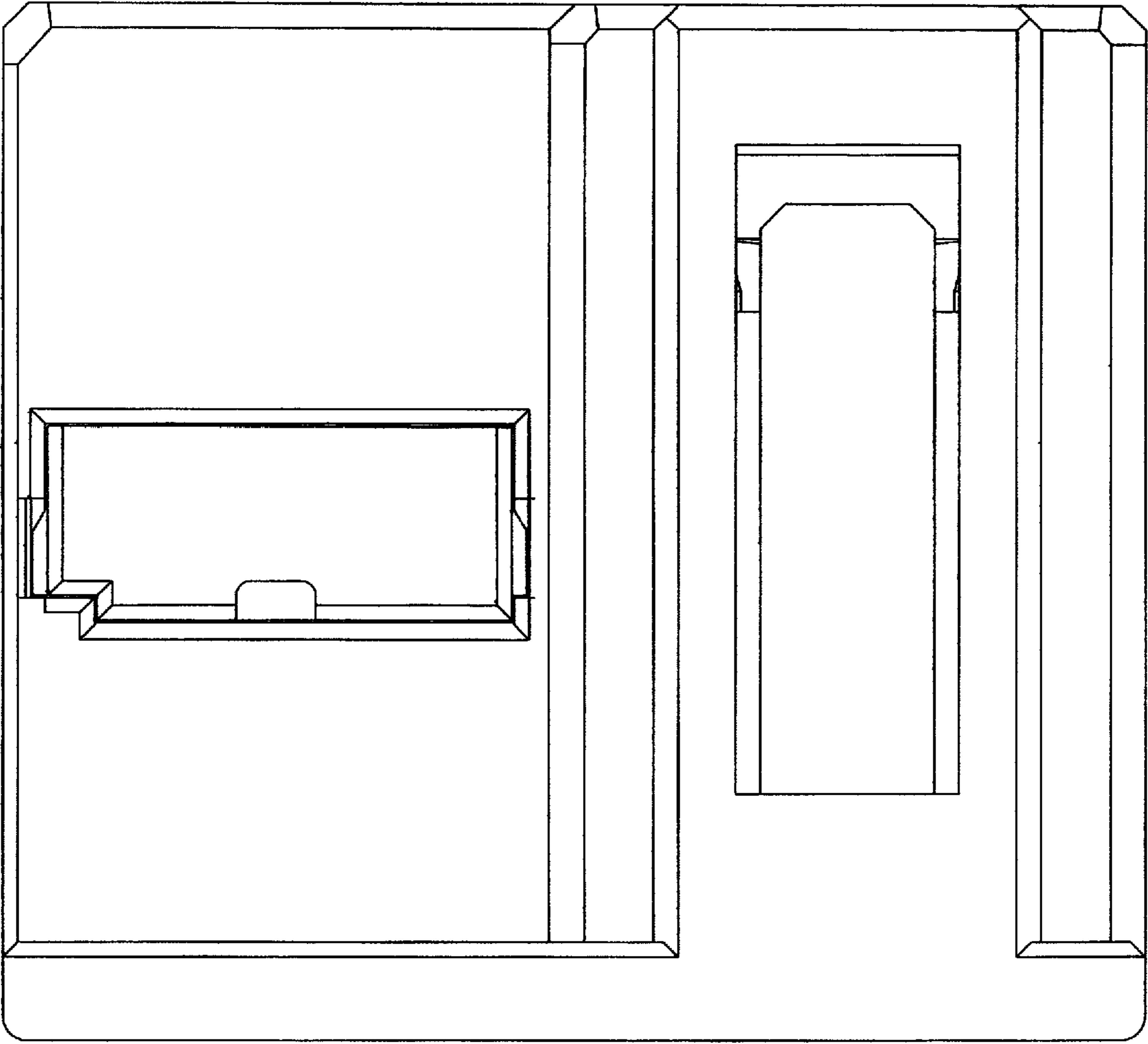


Fig. 4

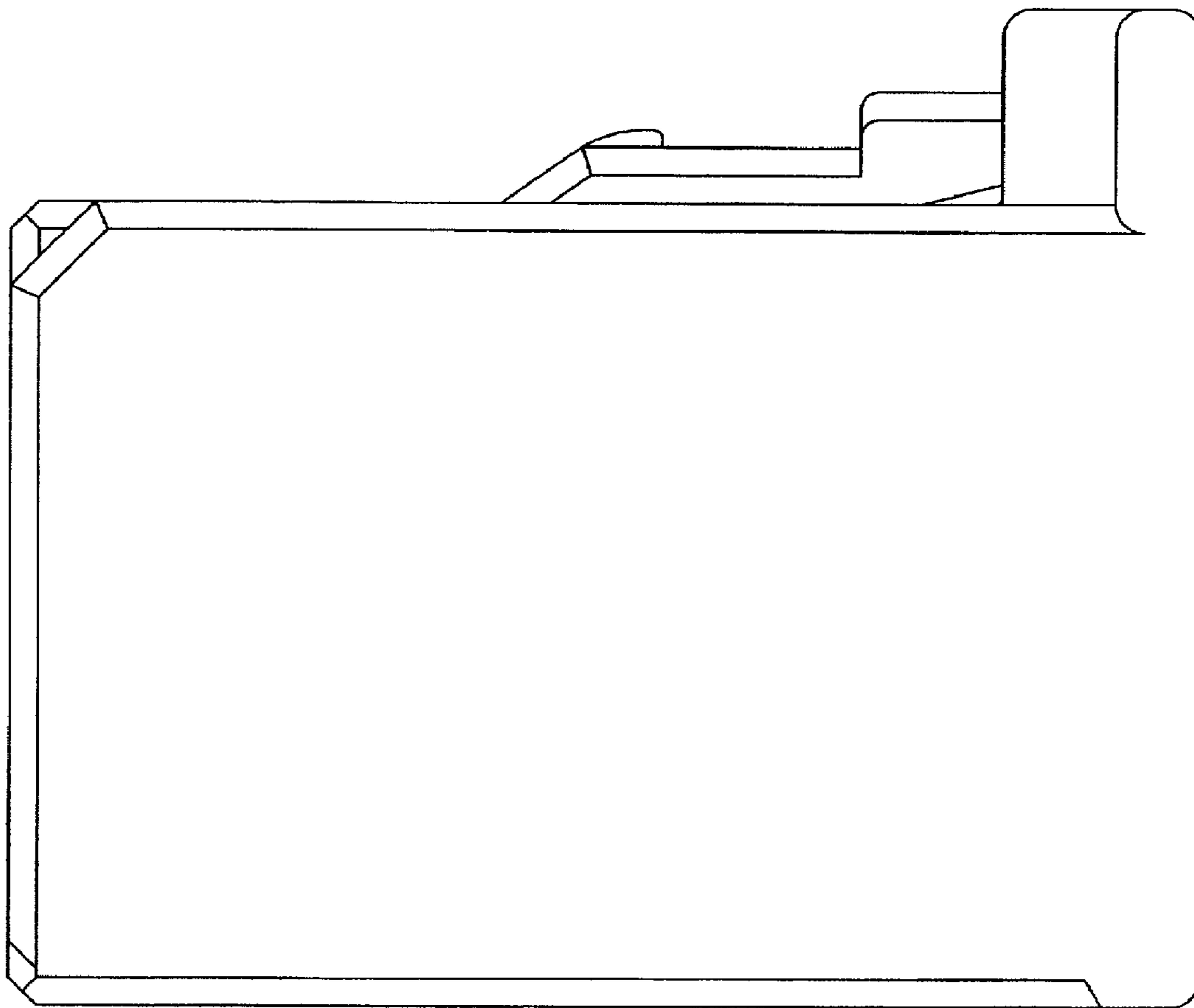


Fig. 5

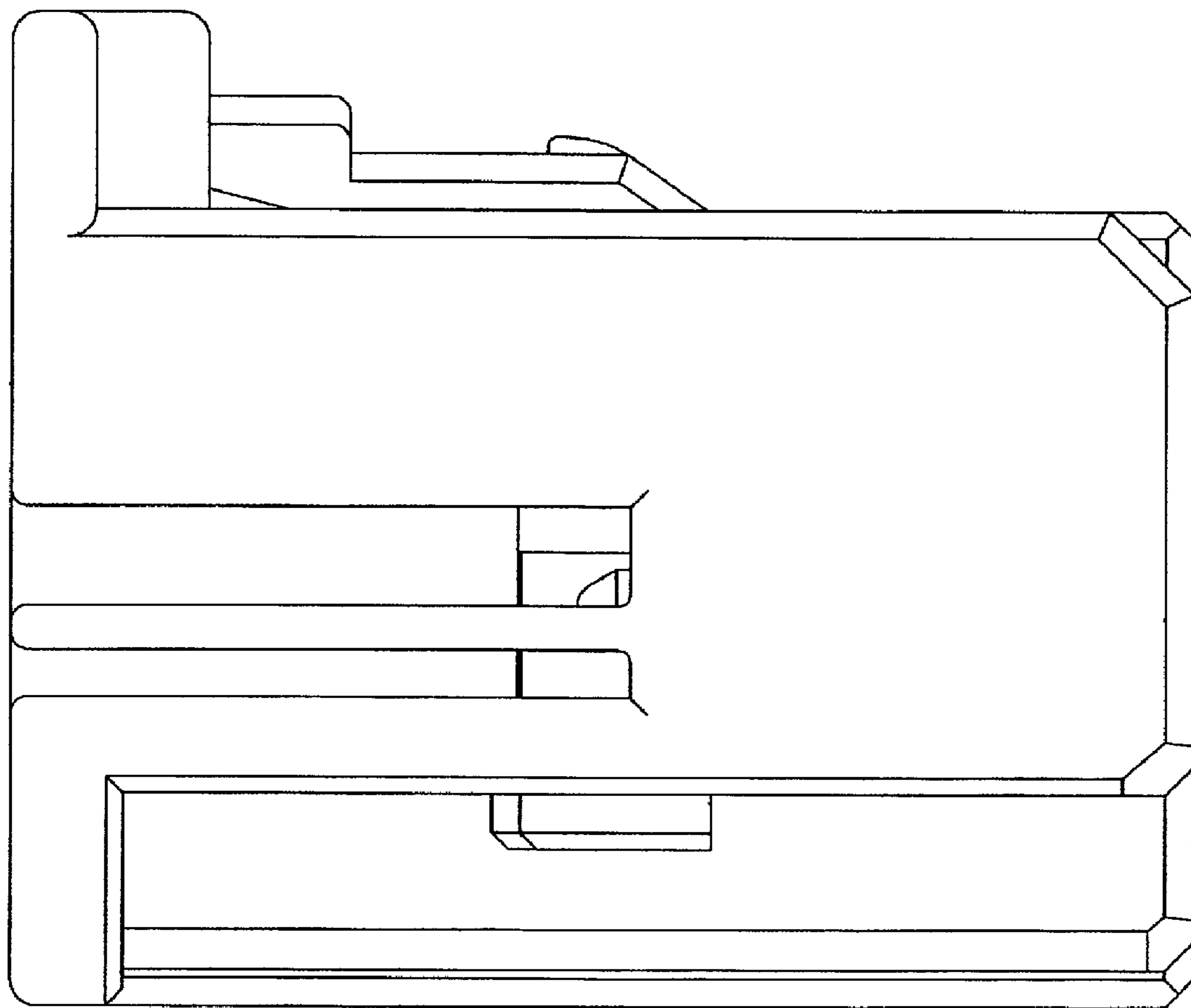


Fig. 6

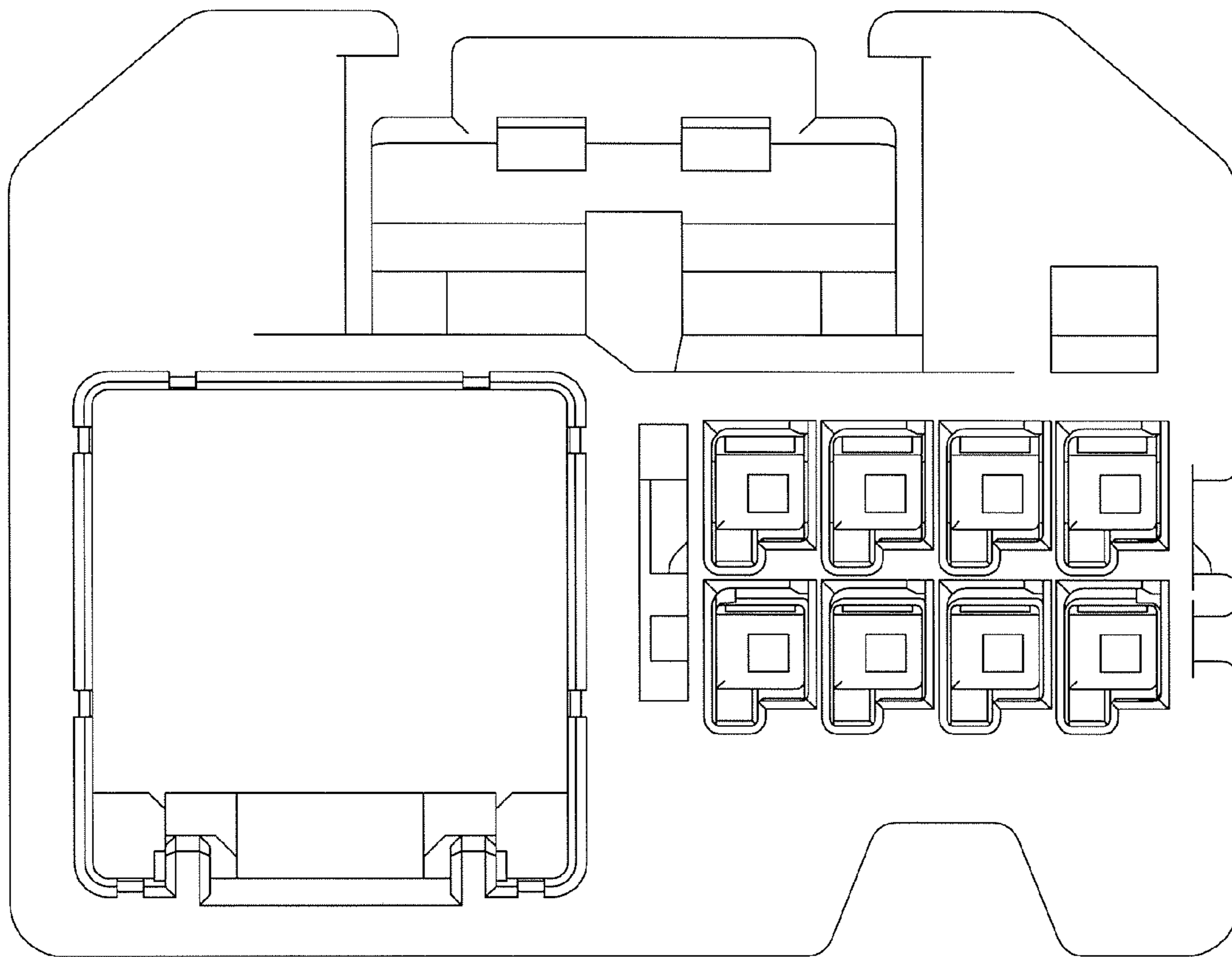


Fig. 7

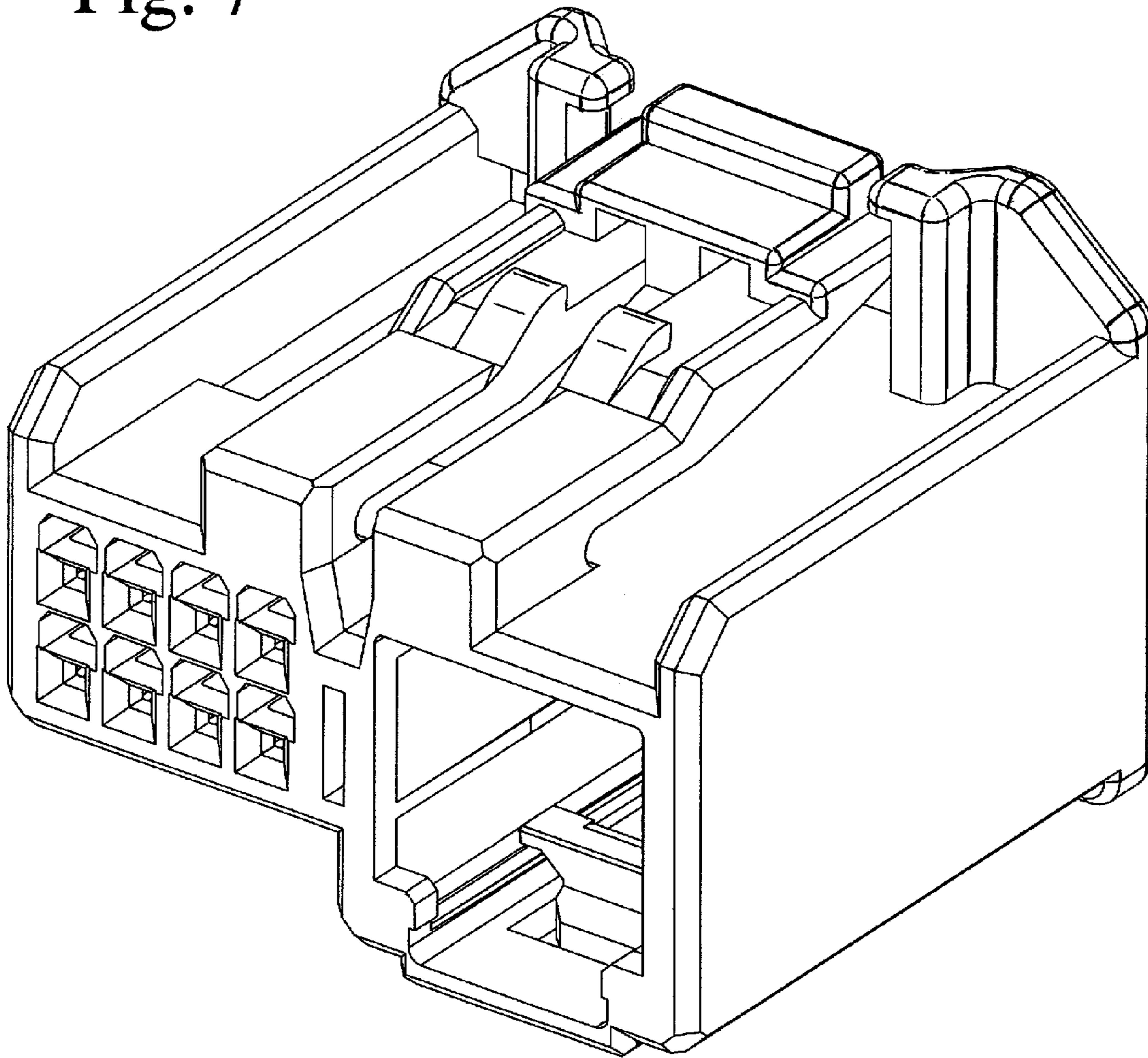


Fig. 8

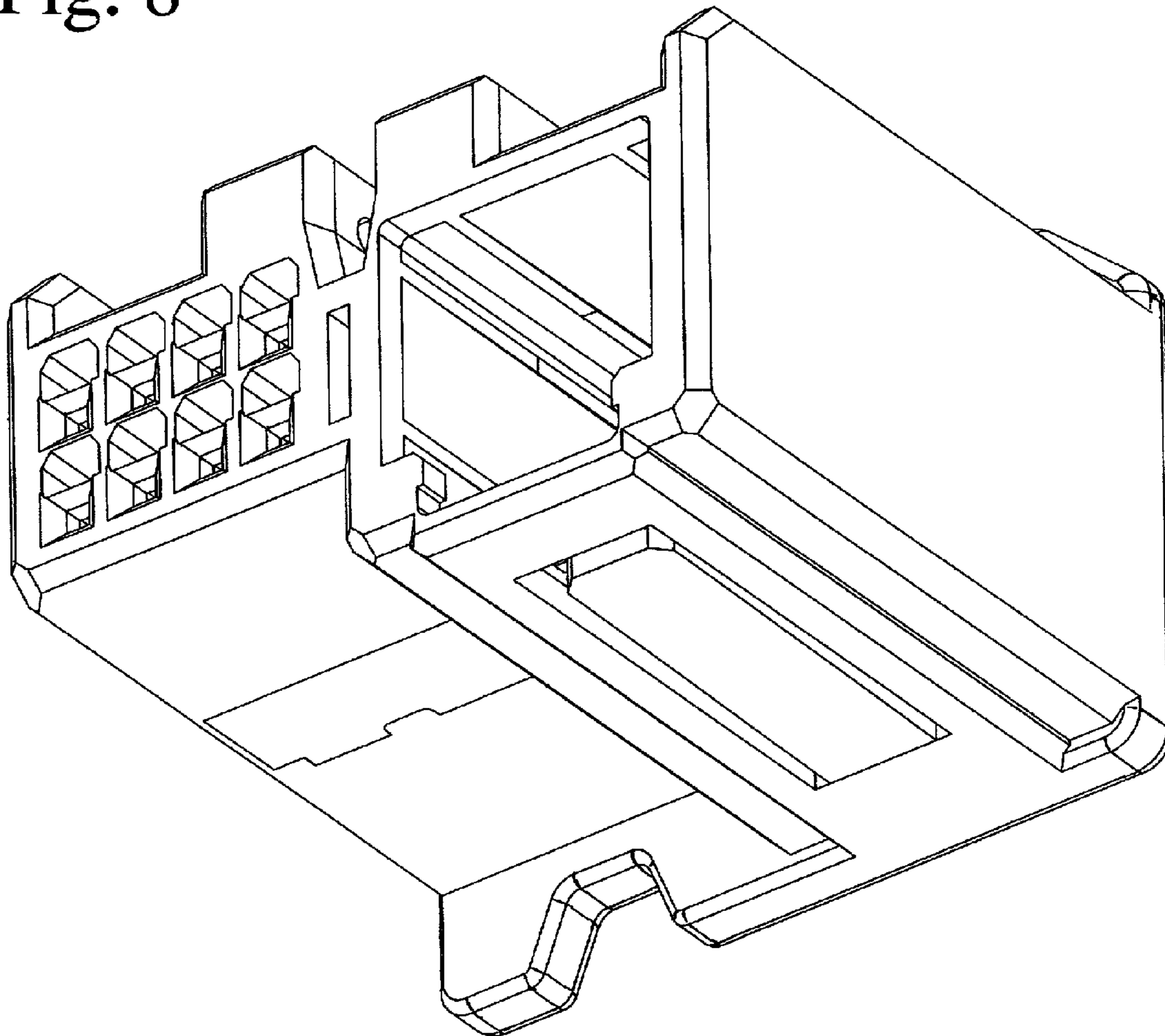


Fig. 9

