



US00D563872S

(12) **United States Design Patent**
Lee et al.

(10) **Patent No.:** **US D563,872 S**
(45) **Date of Patent:** **** Mar. 11, 2008**

(54) **CONNECTOR**

(75) Inventors: **Noel Lee**, Las Vegas, NV (US); **Jacky Hsiung**, San Jose, CA (US)

(73) Assignee: **Monster Cable Products, Inc.**,
Brisbane, CA (US)

(**) Term: **14 Years**

(21) Appl. No.: **29/248,946**

(22) Filed: **Sep. 12, 2006**

(51) **LOC (8) Cl.** **13-03**

(52) **U.S. Cl.** **D13/133**

(58) **Field of Classification Search** D13/133,
D13/153, 146-147, 154, 184; 439/489, 502,
439/505, 578, 607-610, 623, 680, 686
See application file for complete search history.

(56) **References Cited**

U.S. PATENT DOCUMENTS

D449,275 S *	10/2001	Goto	D13/147
D491,894 S *	6/2004	Jiang	D13/147
D512,381 S *	12/2005	Sirichai et al.	D13/154
D516,030 S *	2/2006	Han et al.	D13/147
D516,032 S *	2/2006	Suckle et al.	D13/147
D519,464 S *	4/2006	Suckle et al.	D13/156
D520,457 S *	5/2006	Wada et al.	D13/156
D526,960 S *	8/2006	Kobayashi et al.	D13/110
D543,156 S *	5/2007	Suckle	D13/154
D543,945 S *	6/2007	Ho et al.	D13/147

* cited by examiner

Primary Examiner—Daniel Bui

(74) *Attorney, Agent, or Firm*—LaRiviere, Grubman & Payne, LLP

(57) **CLAIM**

The ornamental design for a connector, as shown and described.

DESCRIPTION

A portion of the disclosure of this patent document contains material which is subject to copyright protection. The copyright owner has no objection to the facsimile reproduction by any one of the patent document or the patent disclosure, as it appears in the Patent and Trademark Office patent file or records, but otherwise reserves all copyright rights whatsoever.

FIG. 1 is a top, front and side perspective view of a connector, in use condition, showing our new design;

FIG. 2 is a top, front and side perspective view thereof;

FIG. 3 is a front elevation view thereof;

FIG. 4 is a rear elevation view thereof;

FIG. 5 is a side elevation view thereof;

FIG. 6 is an opposite side elevation view thereof;

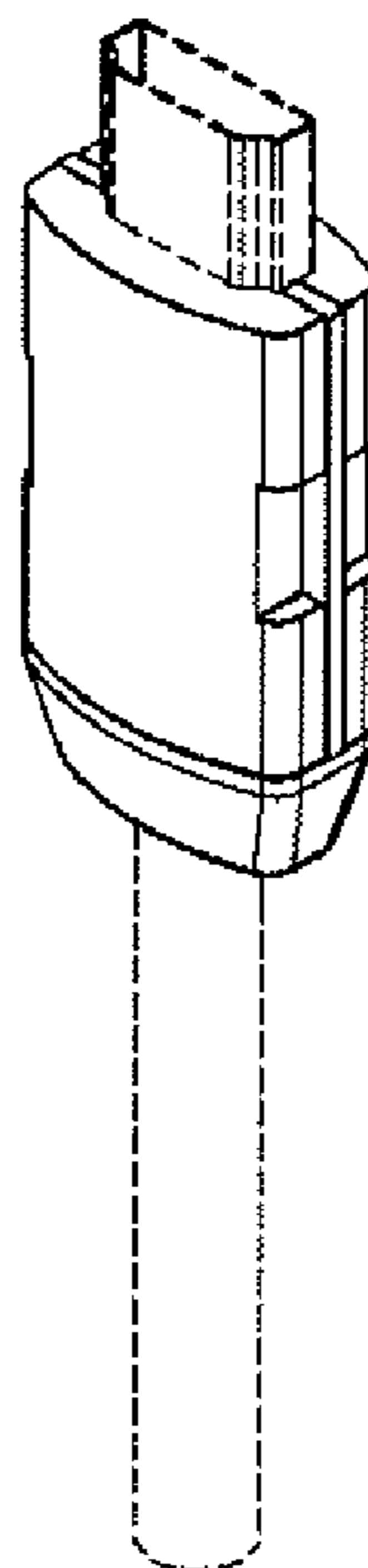
FIG. 7 is a top plan view thereof, in use condition and on an enlarged scale;

FIG. 8 is a top plan view thereof; and,

FIG. 9 is a bottom plan view thereof.

The broken line showing of the environment is for illustrative purposes only and forms no part of the claimed design.

1 Claim, 4 Drawing Sheets



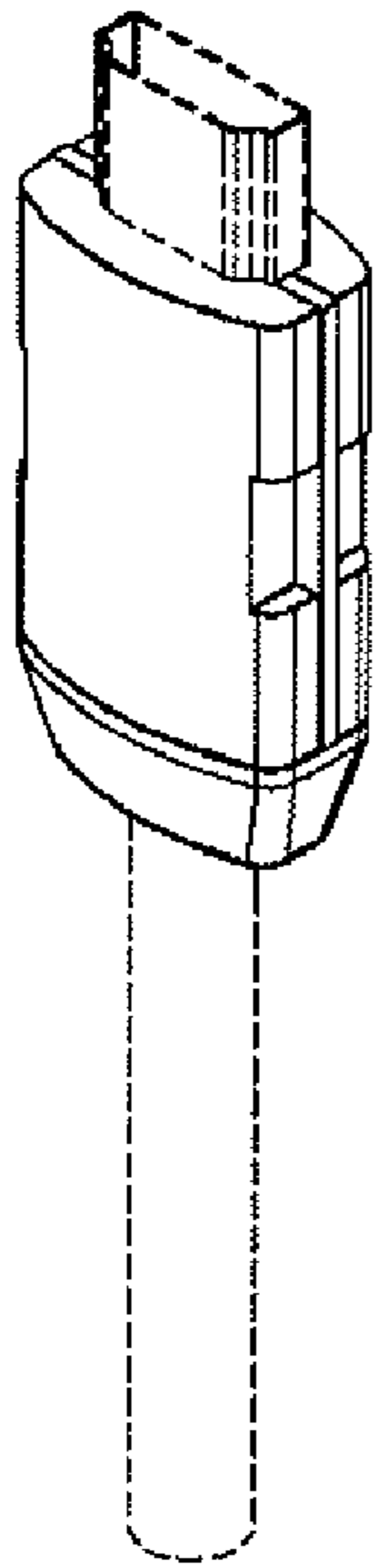


Figure 1

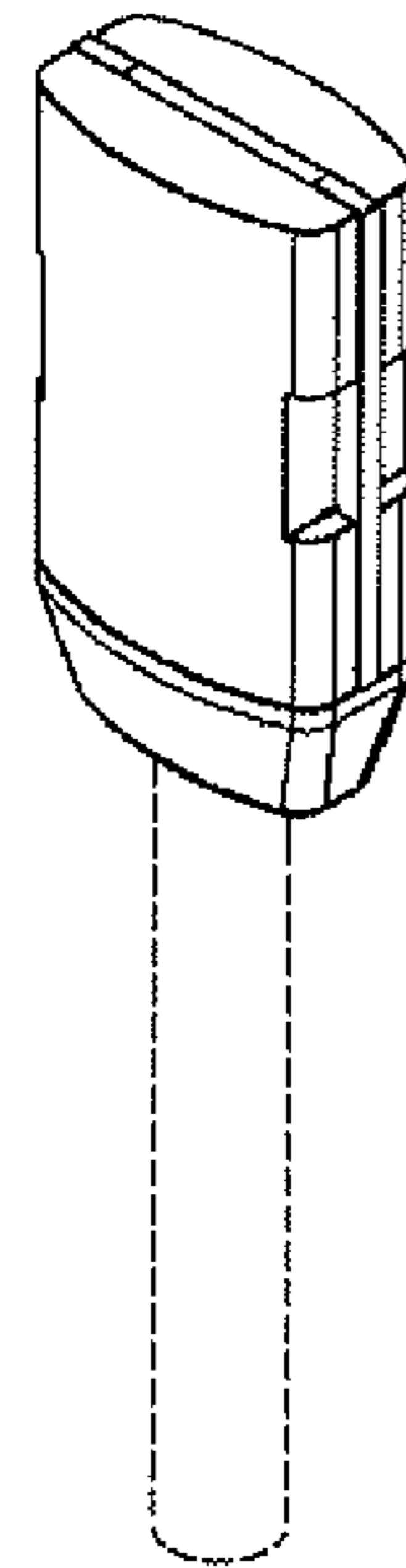


Figure 2

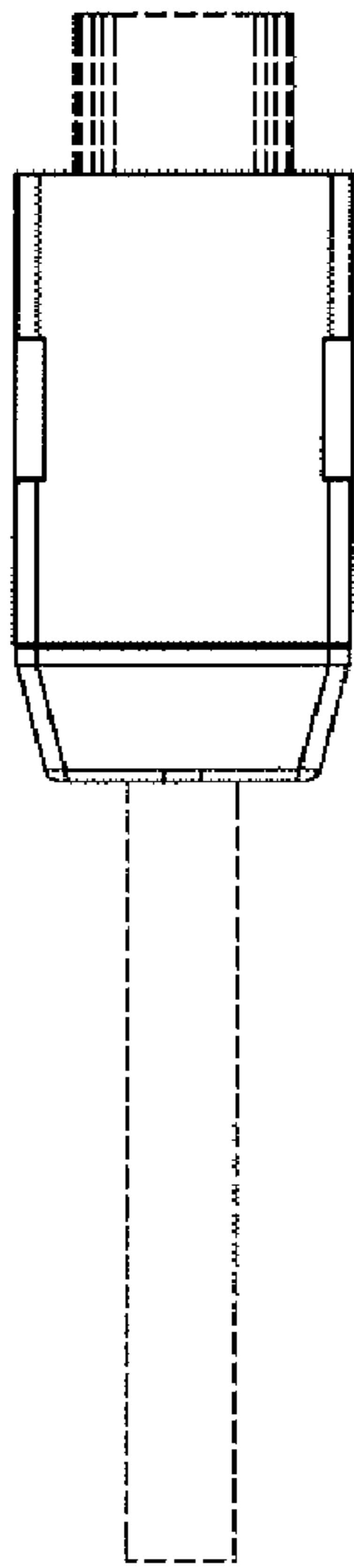


Figure 3

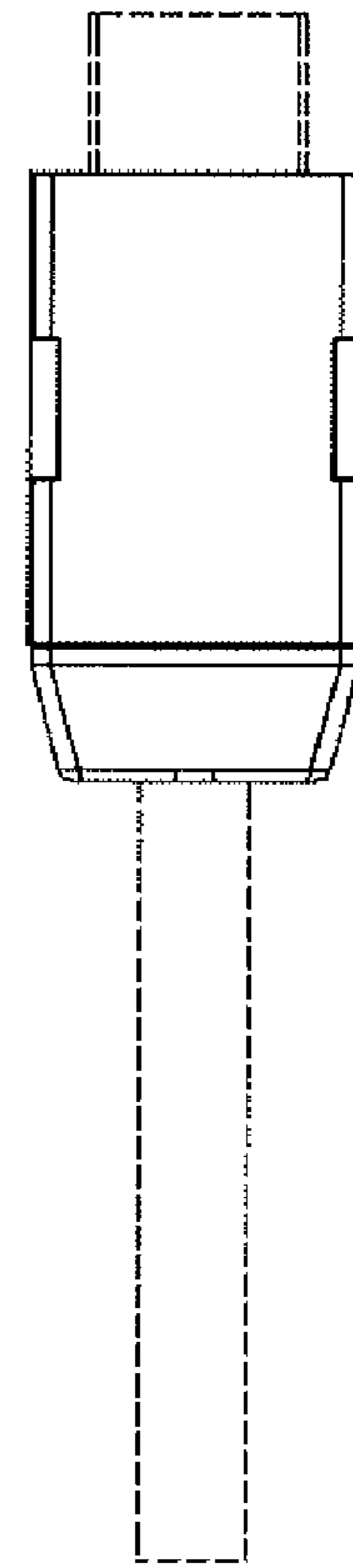


Figure 4

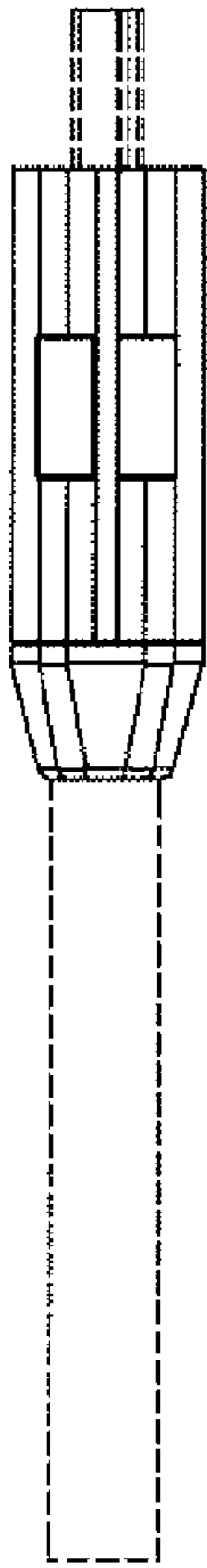


Figure 5

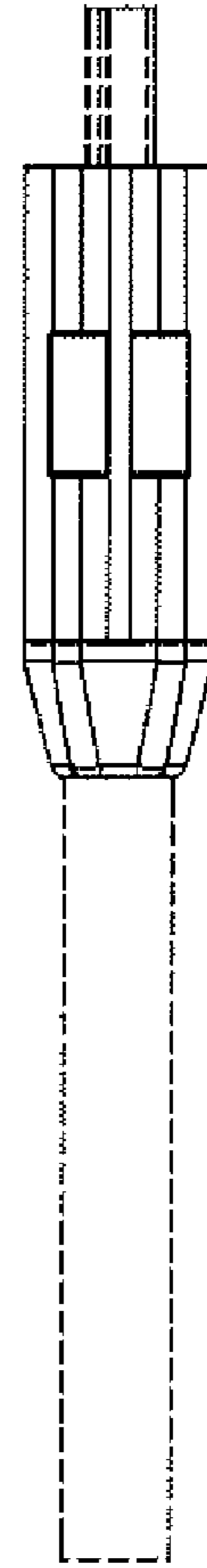


Figure 6

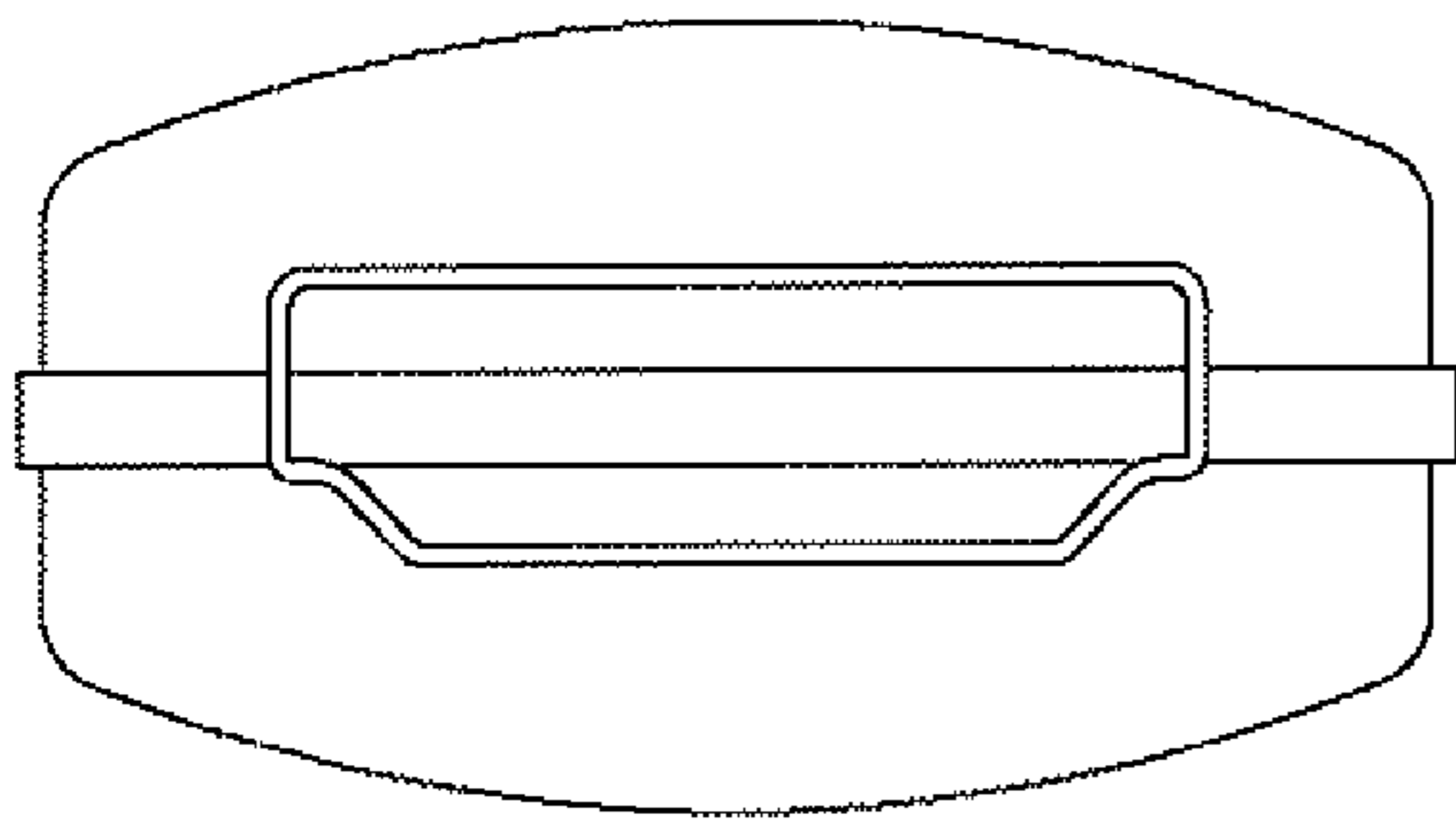


Figure 7

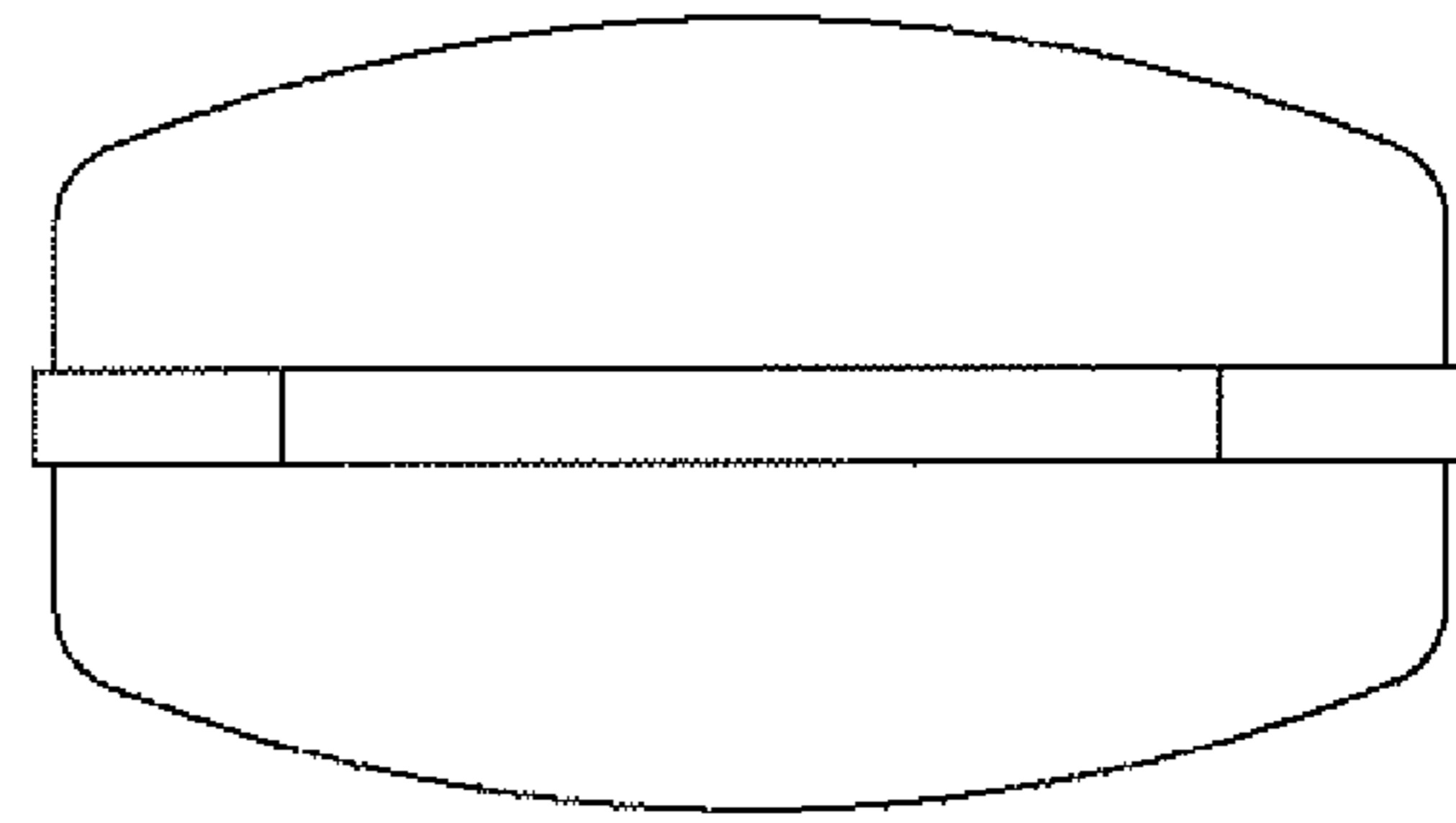


Figure 8

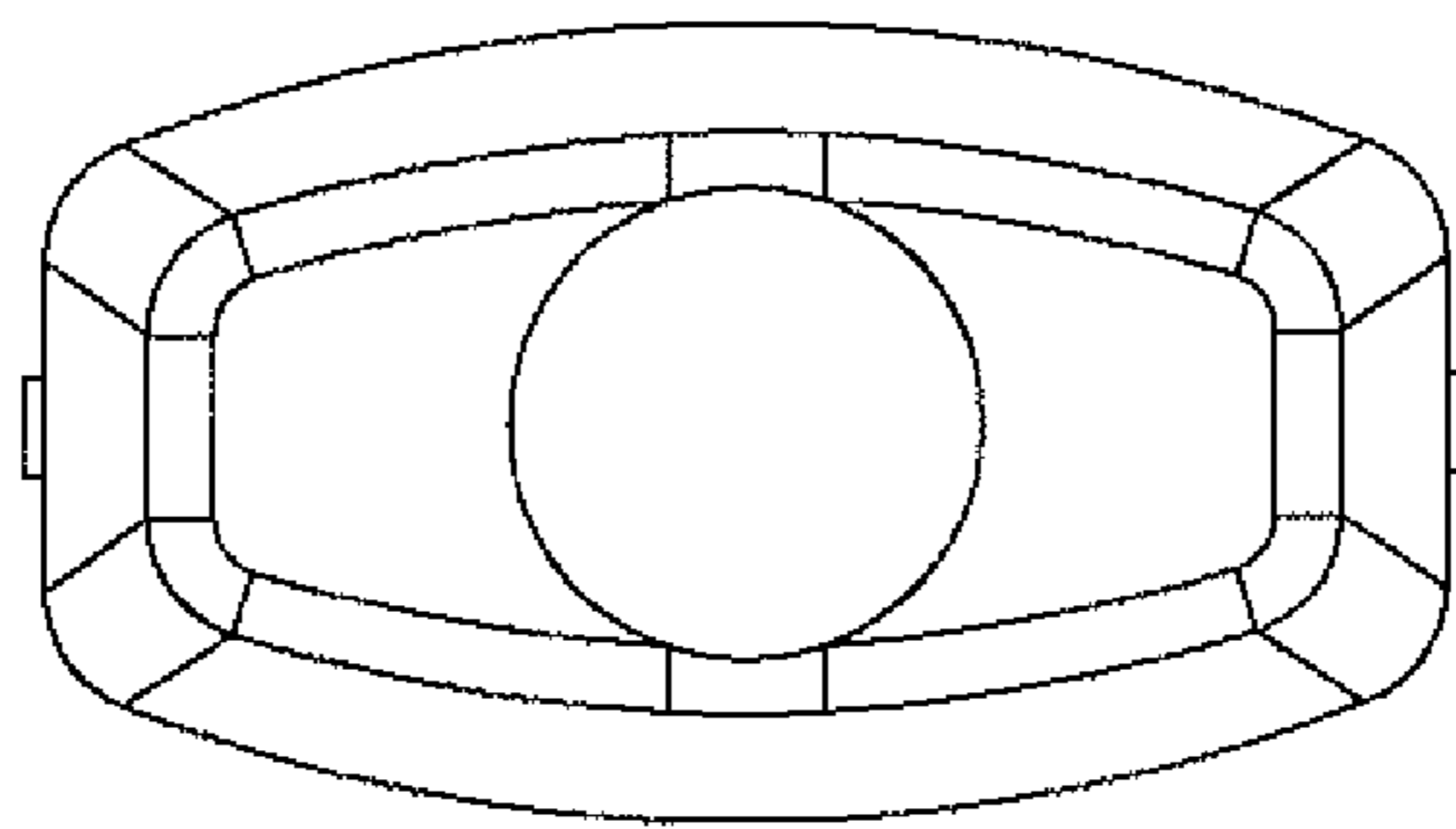


Figure 9