



US00D563871S

(12) **United States Design Patent**
Becker et al.

(10) **Patent No.:** **US D563,871 S**
(45) **Date of Patent:** **** Mar. 11, 2008**

(54) **ELECTRICAL ALTERNATOR**

D467,541 S 12/2002 Hemphill

(75) Inventors: **James Becker**, Crystal Lake, IL (US);
Majid Naghshineh, Wilmette, IL (US)

(73) Assignee: **C. E. Niehoff & Co.**, Evanston, IL
(US)

(**) Term: **14 Years**

(21) Appl. No.: **29/269,542**

(22) Filed: **Dec. 1, 2006**

(51) **LOC (8) Cl.** **13-01**
(52) **U.S. Cl.** **D13/114**
(58) **Field of Classification Search** D13/114,
D13/101, 112, 113; 290/36 R, 46; 310/10,
310/42, 43, 68 D, 75 R, 114, 231
See application file for complete search history.

(56) **References Cited**

U.S. PATENT DOCUMENTS

D207,401 S *	4/1967	Andrews et al.	D13/114
4,546,280 A *	10/1985	Pfluger	310/68 D
D314,742 S *	2/1991	Sieber	D13/114
5,696,415 A *	12/1997	Fujimoto et al.	310/89
D398,285 S	9/1998	Becker et al.	
D398,286 S	9/1998	Becker et al.	
5,914,549 A *	6/1999	Adachi et al.	310/89
D425,020 S	5/2000	Becker et al.	
6,236,134 B1 *	5/2001	Syverson	310/181

OTHER PUBLICATIONS

C.E. Niehoff & Co. Brushless Alternators Product Catalog, 2001,
pp. 16-17, U.S.A., U.K.

C.E. Niehoff & Co. Brushless Alternators, 2006 <http://www.ceniehoff.com>.

* cited by examiner

Primary Examiner—Prabhakar Deshmukh

Assistant Examiner—Derrick Holland

(74) *Attorney, Agent, or Firm*—Law Offices of Michael M.
Ahmadshahi

(57) **CLAIM**

The ornamental design for an electrical alternator, as shown
and described.

DESCRIPTION

FIG. 1 is a front view of an electrical alternator according to
the present invention.

FIG. 2 is a rear view thereof.

FIG. 3 is a first side view thereof.

FIG. 4 is a second side view thereof.

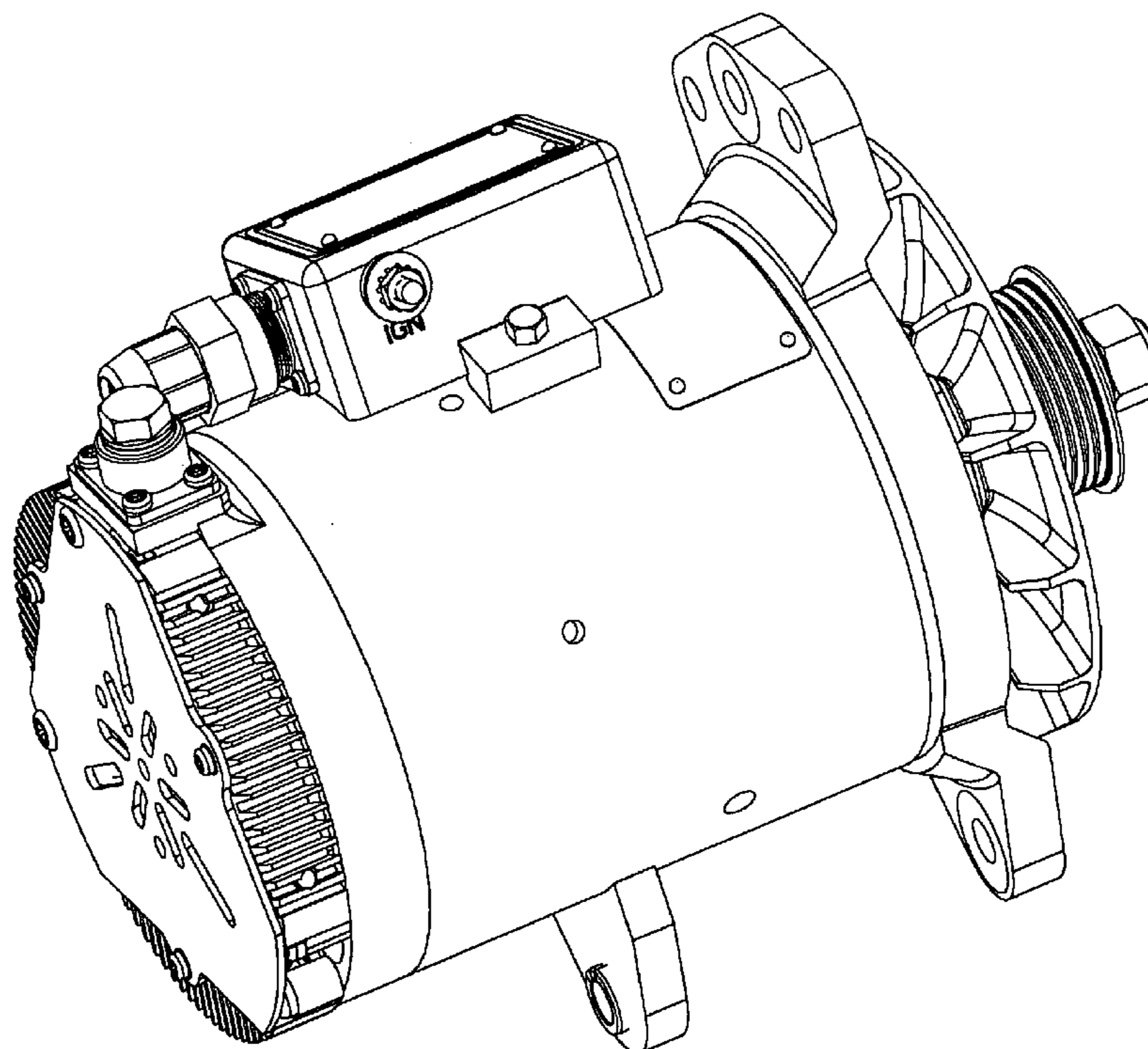
FIG. 5 is a top view thereof.

FIG. 6 is a bottom view thereof.

FIG. 7 is a first isometric view thereof; and,

FIG. 8 is a second isometric view thereof.

1 Claim, 8 Drawing Sheets



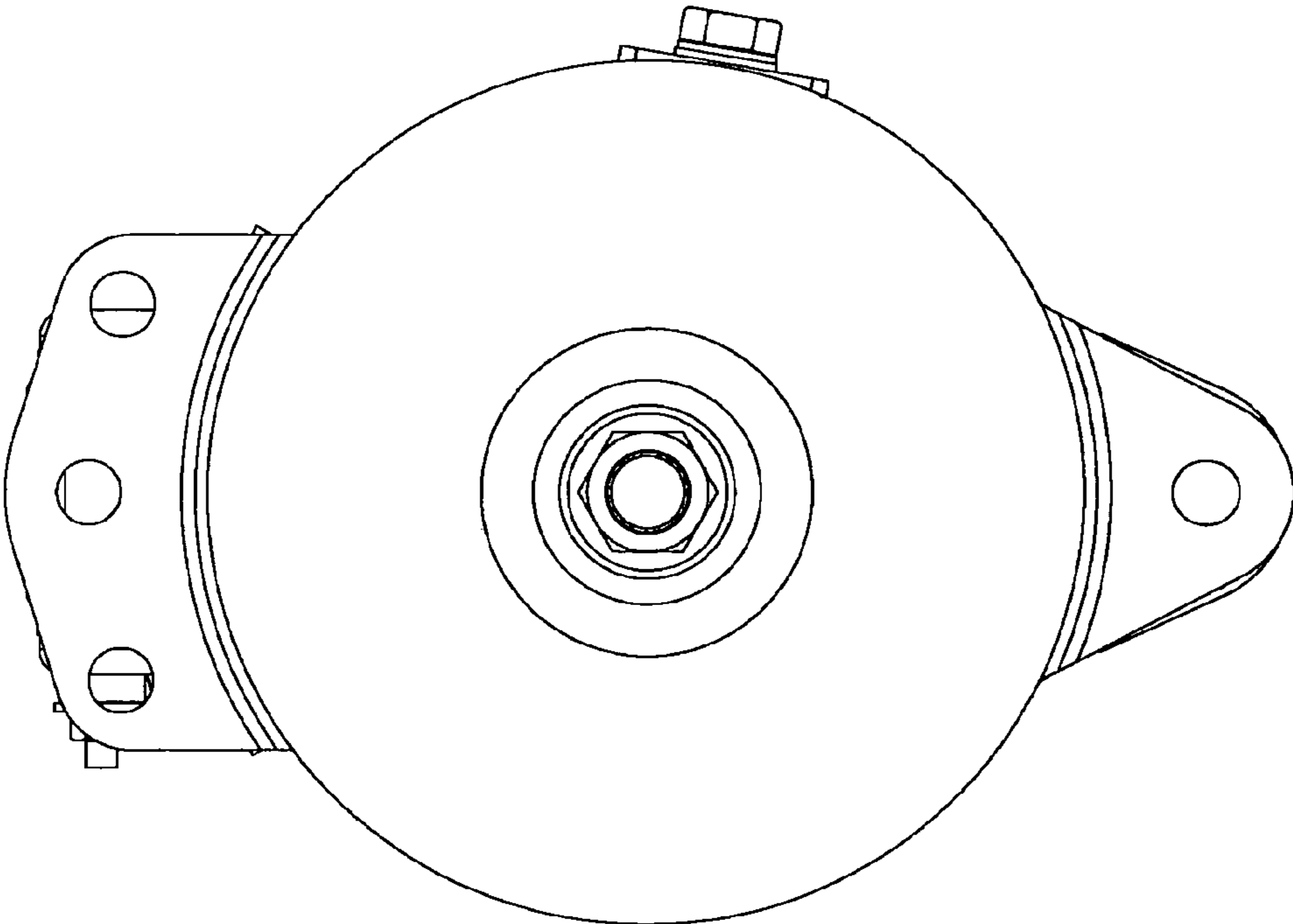


FIG. 1

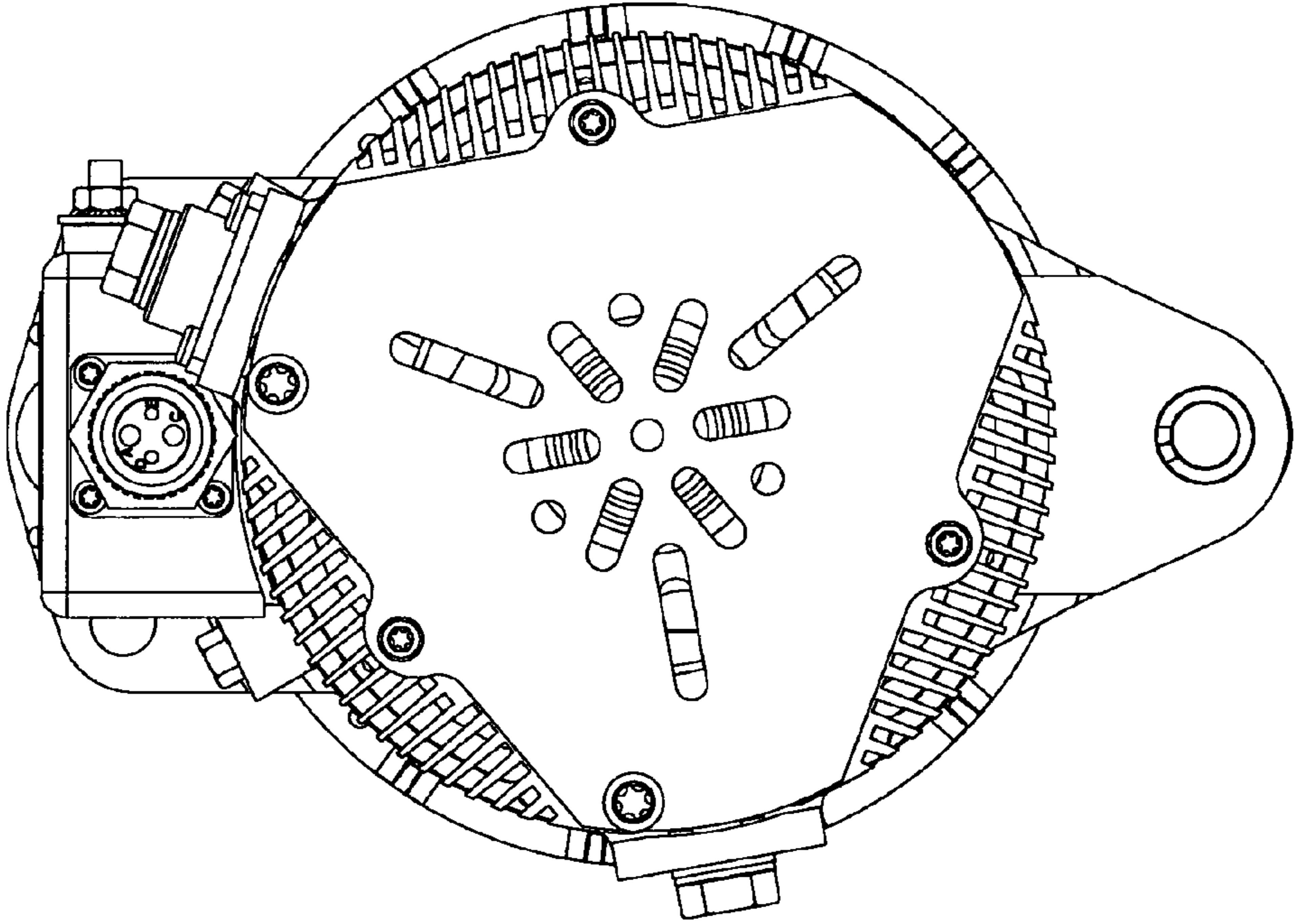


FIG. 2

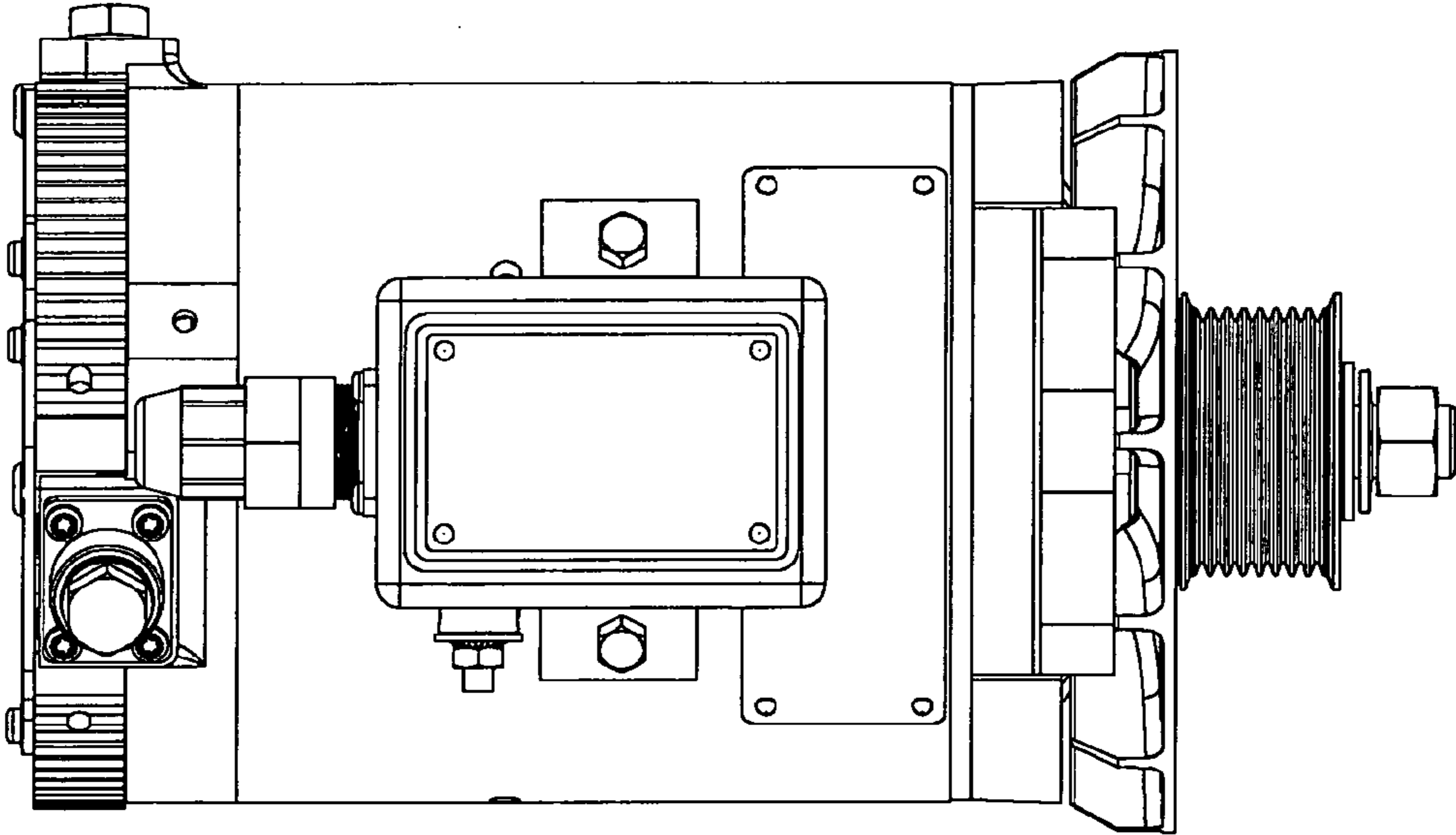


FIG. 3

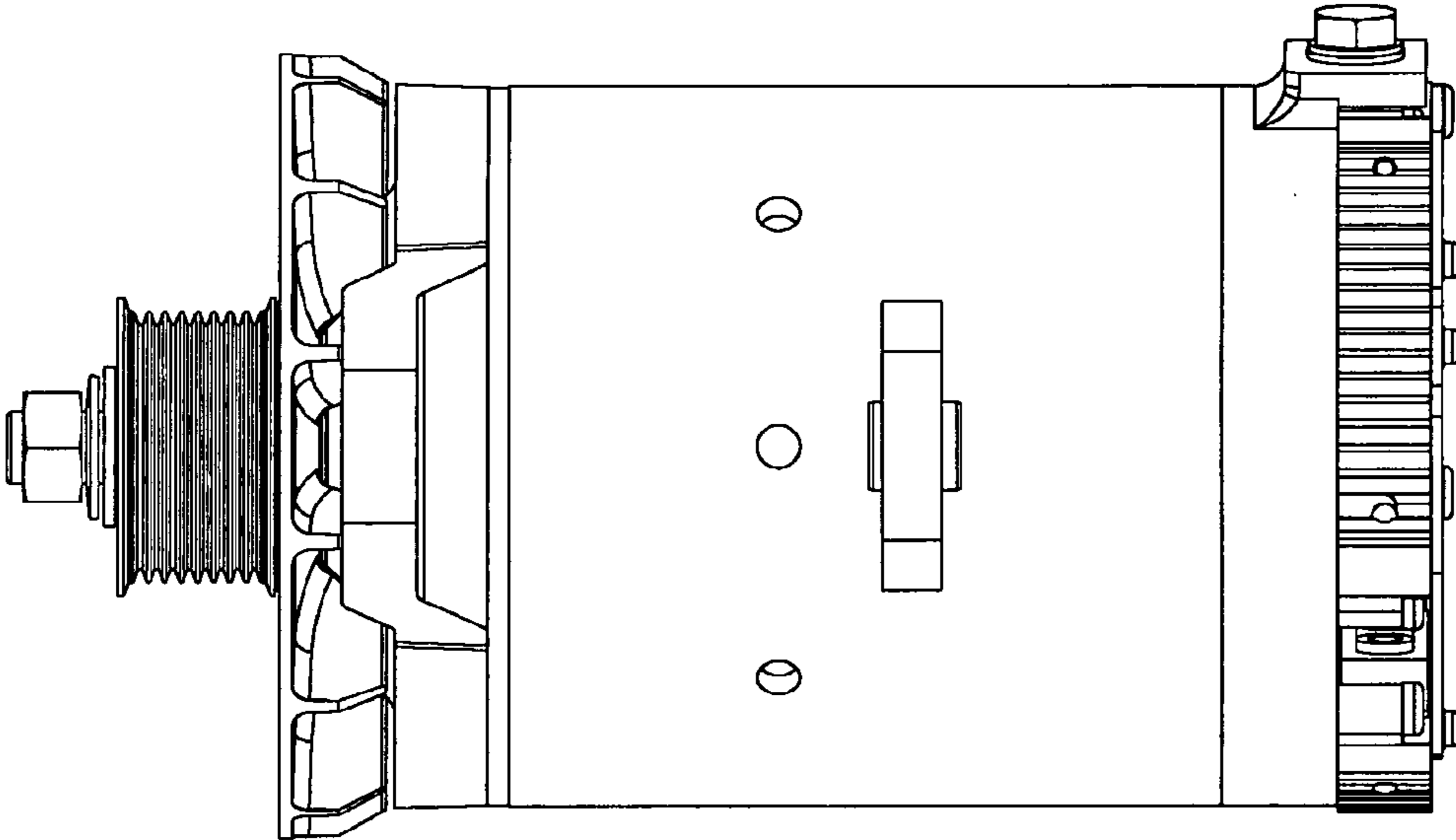


FIG. 4

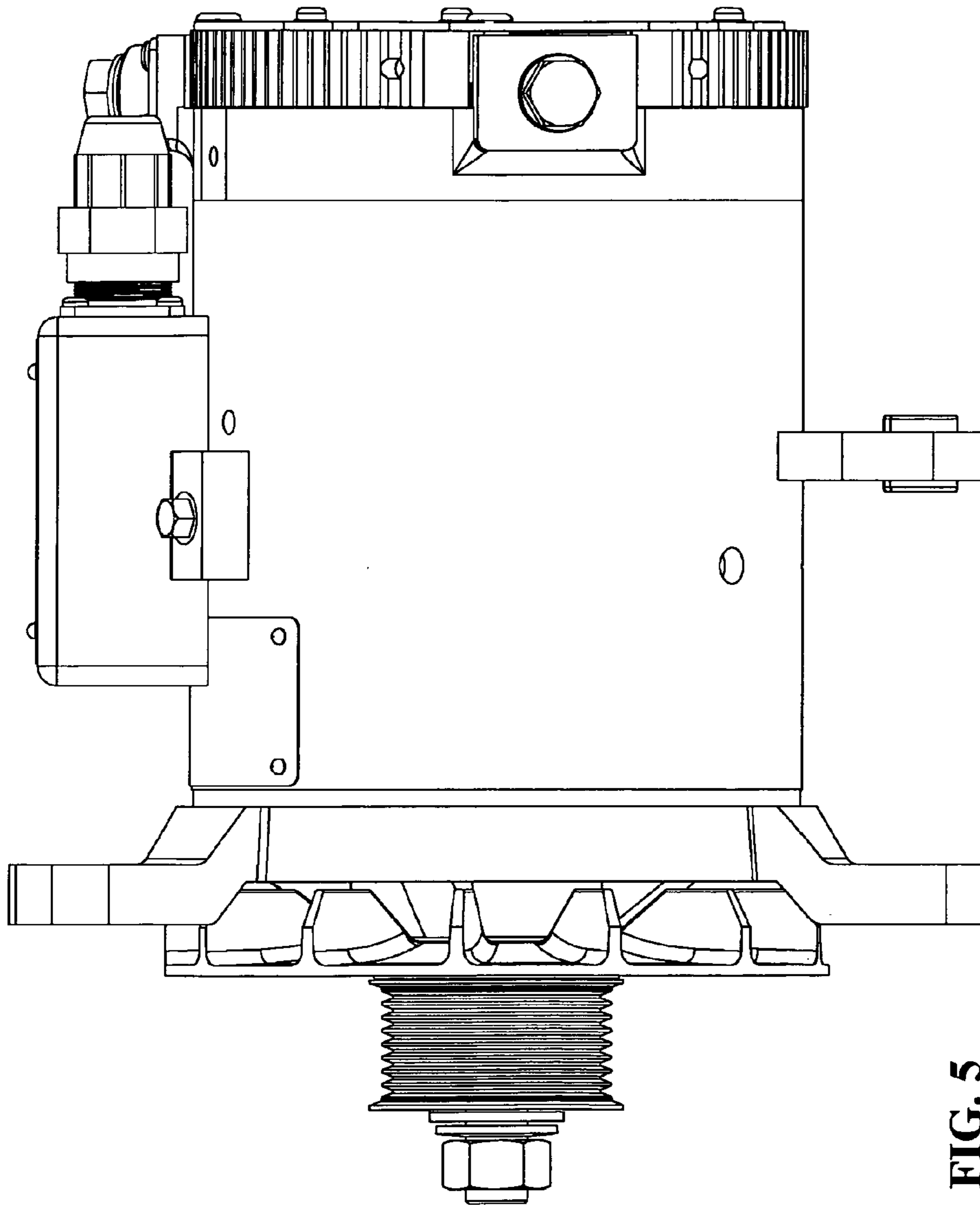


FIG. 5

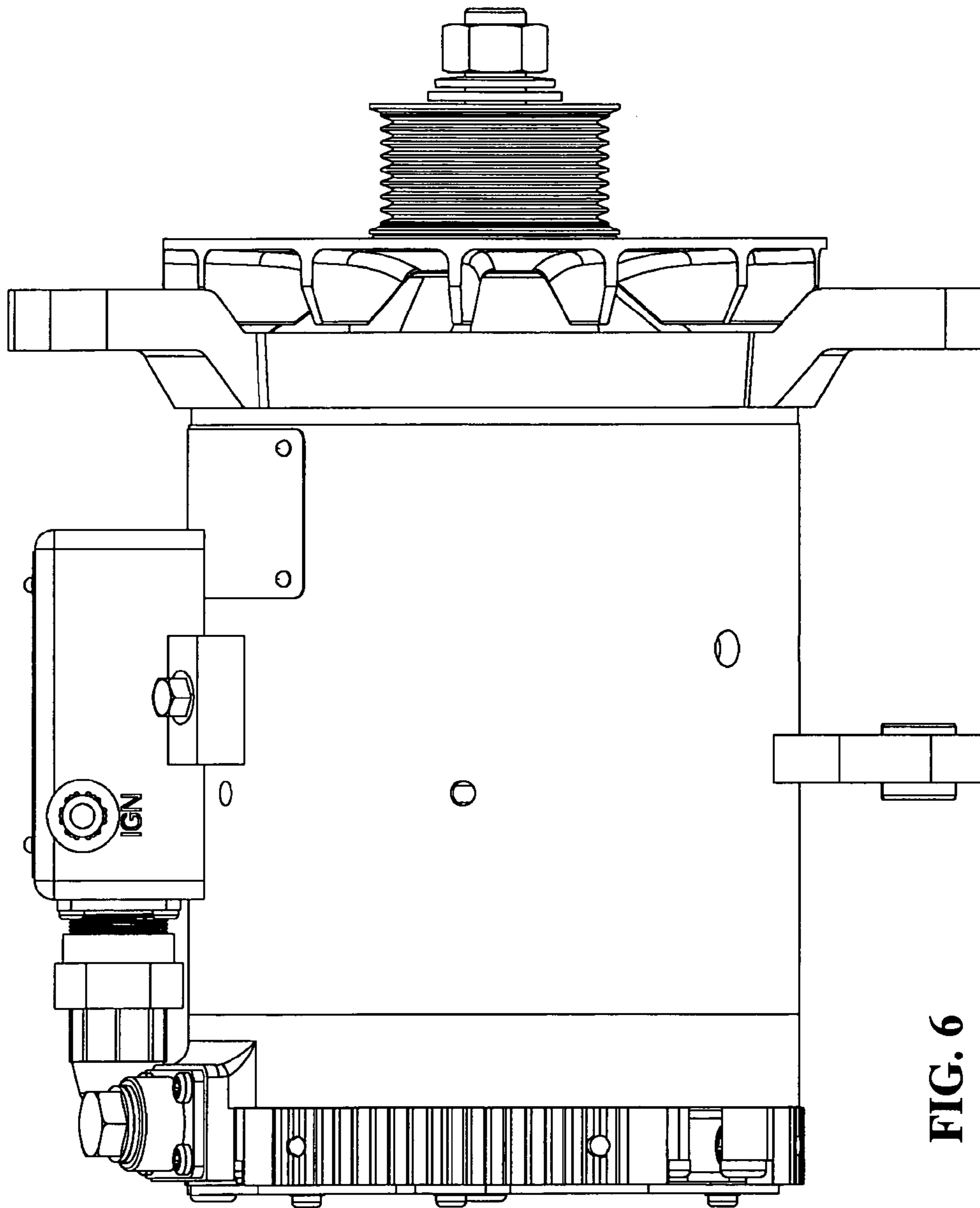


FIG. 6

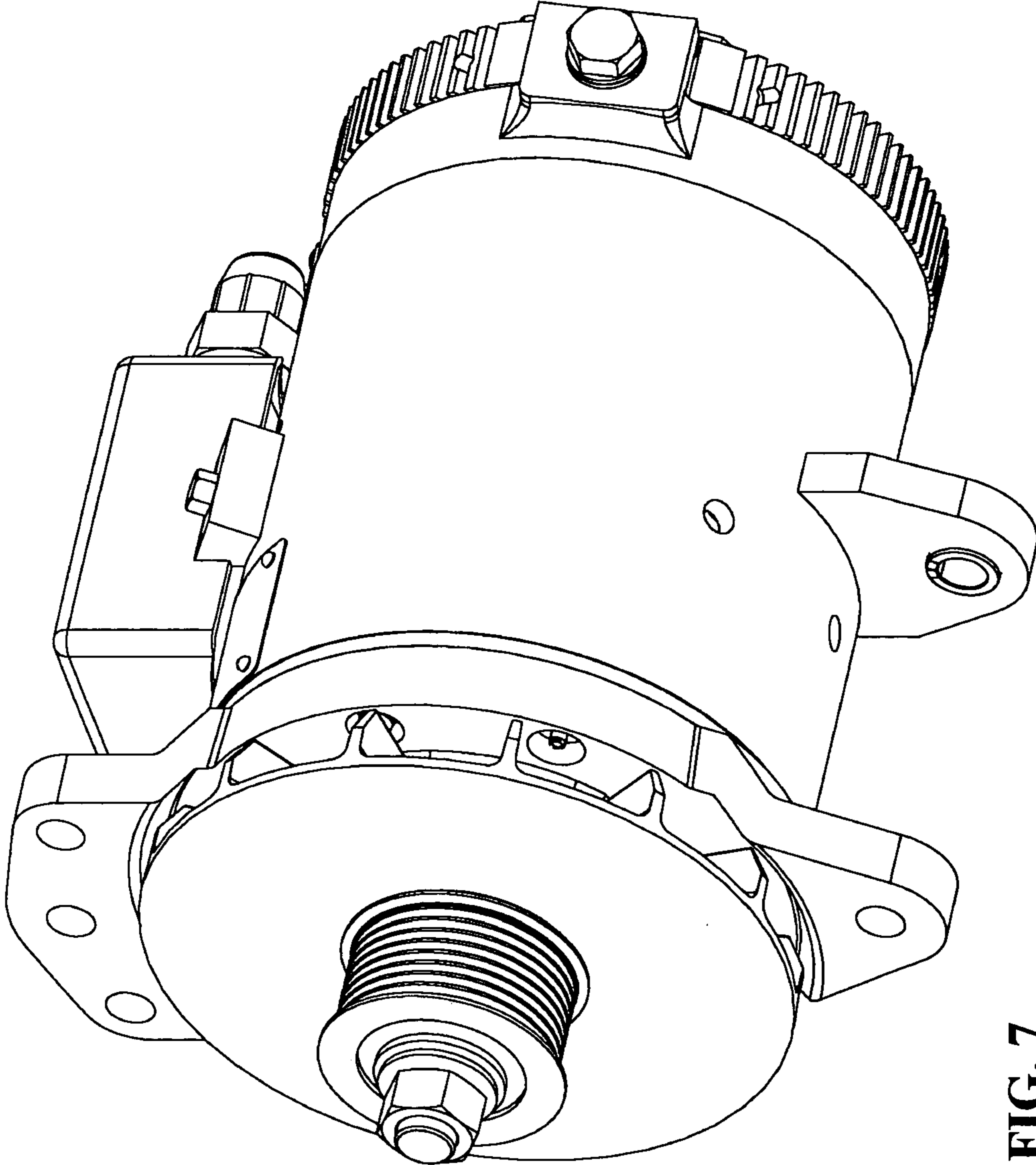


FIG. 7

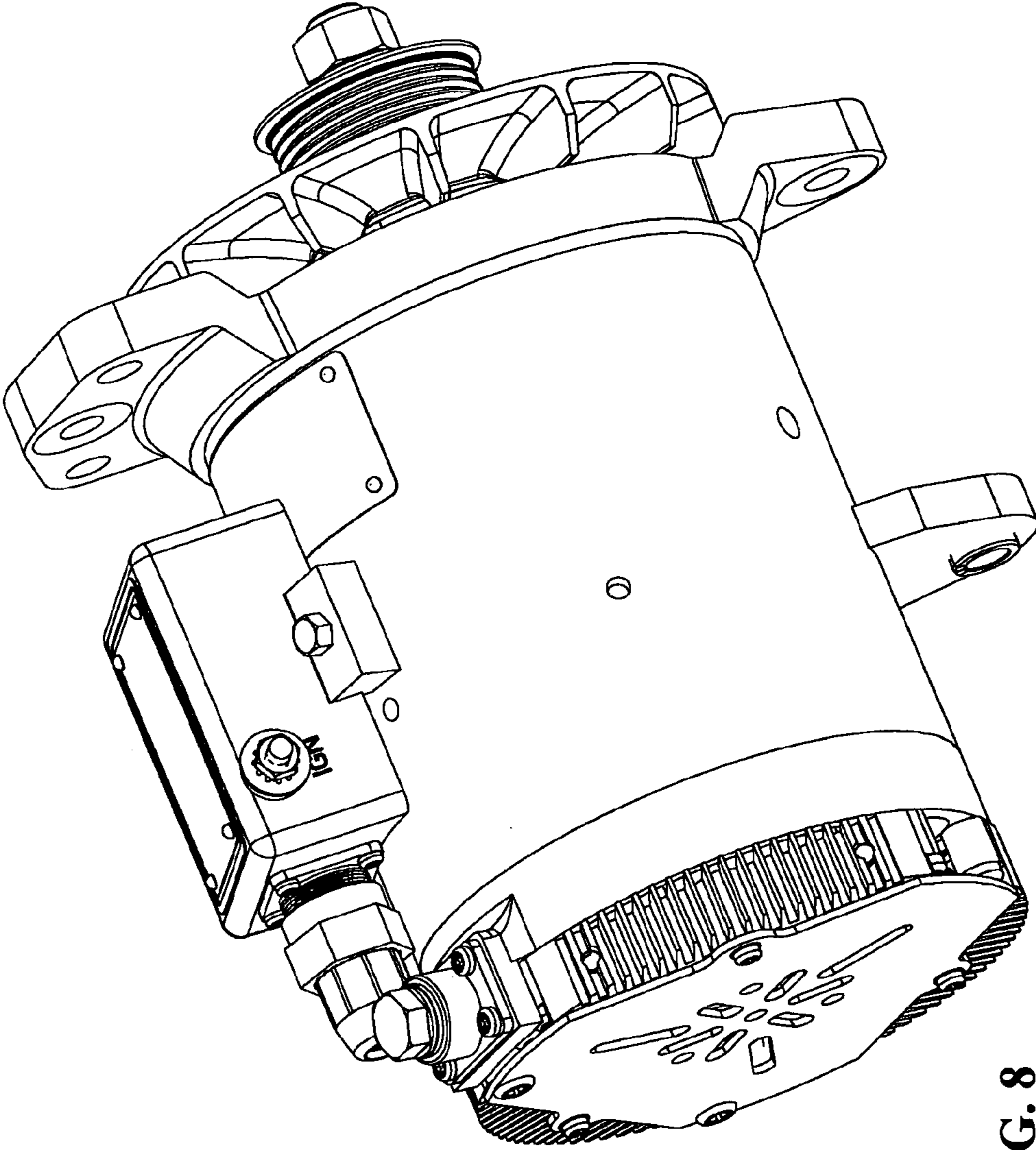


FIG. 8