



US00D563870S

(12) **United States Design Patent**
Naghshineh

(10) **Patent No.:** **US D563,870 S**
(45) **Date of Patent:** **** Mar. 11, 2008**

(54) **ELECTRICAL ALTERNATOR**

(75) Inventor: **Majid Naghshineh**, Wilmette, IL (US)

(73) Assignee: **C.E. Niehoff & Co.**, Evanston, IL (US)

(**) Term: **14 Years**

(21) Appl. No.: **29/269,537**

(22) Filed: **Dec. 1, 2006**

(51) **LOC (8) Cl.** **13-01**

(52) **U.S. Cl.** **D13/114**

(58) **Field of Classification Search** D13/114,
D13/101, 112, 113; 290/36 R, 46; 310/10,
310/42, 43, 68 D, 75 R, 114, 231

See application file for complete search history.

(56) **References Cited**

U.S. PATENT DOCUMENTS

D207,401 S *	4/1967	Andrews et al.	D13/114
4,546,280 A *	10/1985	Pfluger	310/68 D
D314,742 S *	2/1991	Sieber	D13/114
5,696,415 A *	12/1997	Fujimoto et al.	310/89
D398,285 S	9/1998	Becker et al.	
D398,286 S	9/1998	Becker et al.	
5,914,549 A *	6/1999	Adachi et al.	310/89
D425,020 S	5/2000	Becker et al.	
6,236,134 B1 *	5/2001	Syversen	310/181
D467,541 S	12/2002	Hemphill	

OTHER PUBLICATIONS

C.E. Niehoff & Co. Brushless Alternators Product Catalog, 2001,
pp. 22-23, U.S.A., U.K.

C.E. Niehoff & Co. Brushless Alternators, 2006 <http://www.ceniehoff.com>.

* cited by examiner

Primary Examiner—Prabhakar Deshmukh

Assistant Examiner—Derrick Holland

(74) *Attorney, Agent, or Firm*—Law Offices of Michael M. Ahmadshahi

(57) **CLAIM**

The ornamental design for an electrical alternator, as shown and described.

DESCRIPTION

FIG. 1 is a front view of an electrical alternator according to the present invention.

FIG. 2 is a rear view thereof.

FIG. 3 is a first side view thereof.

FIG. 4 is a second side view thereof.

FIG. 5 is a top view thereof.

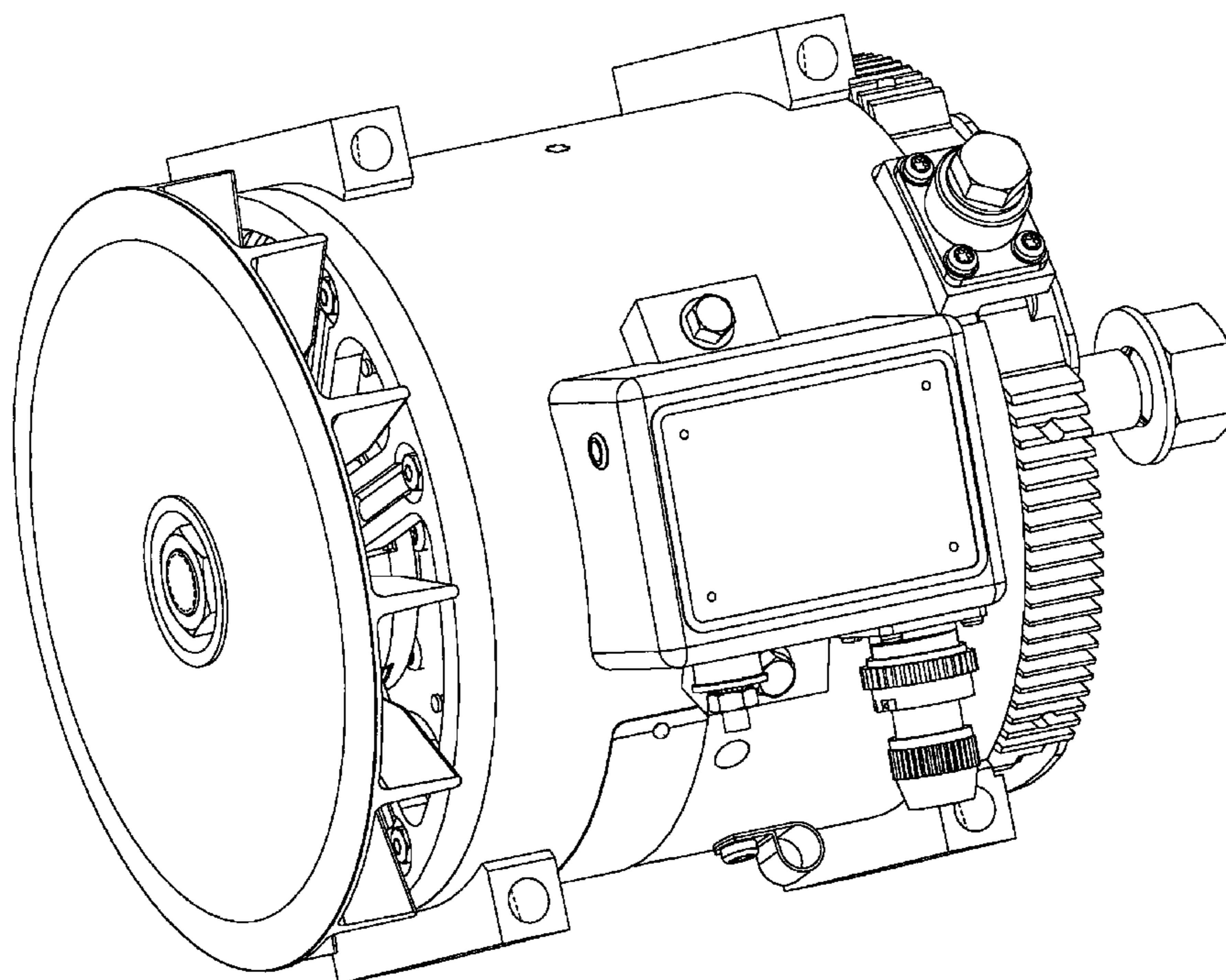
FIG. 6 is a bottom view thereof.

FIG. 7 is a first isometric view thereof; and,

FIG. 8 is a second isometric view thereof.

The ornamental design which is claimed is shown in solid lines in the drawings. Any broken lines in the drawings are for illustrative purposes only and form no part of the claimed design.

1 Claim, 8 Drawing Sheets



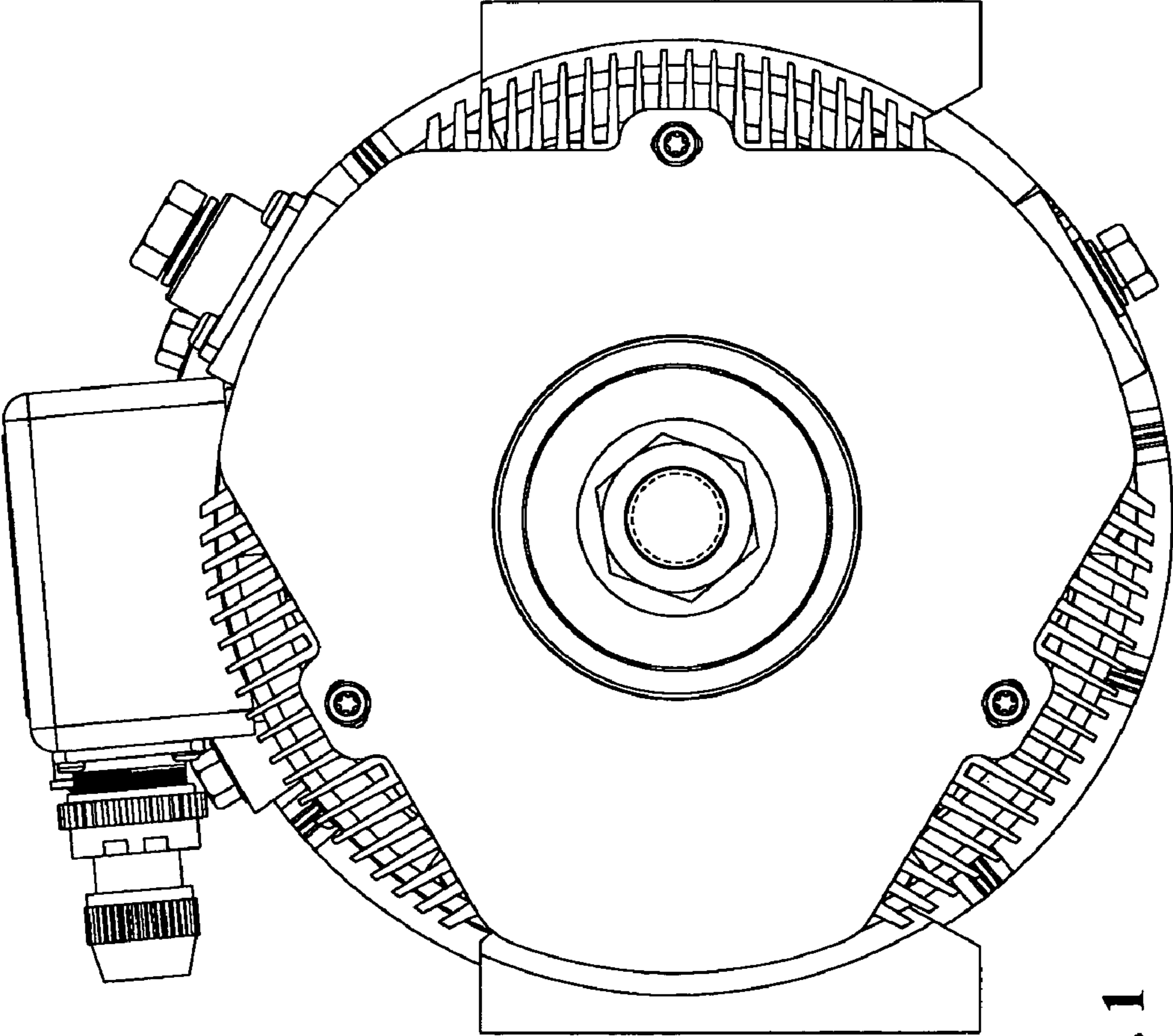


FIG. 1

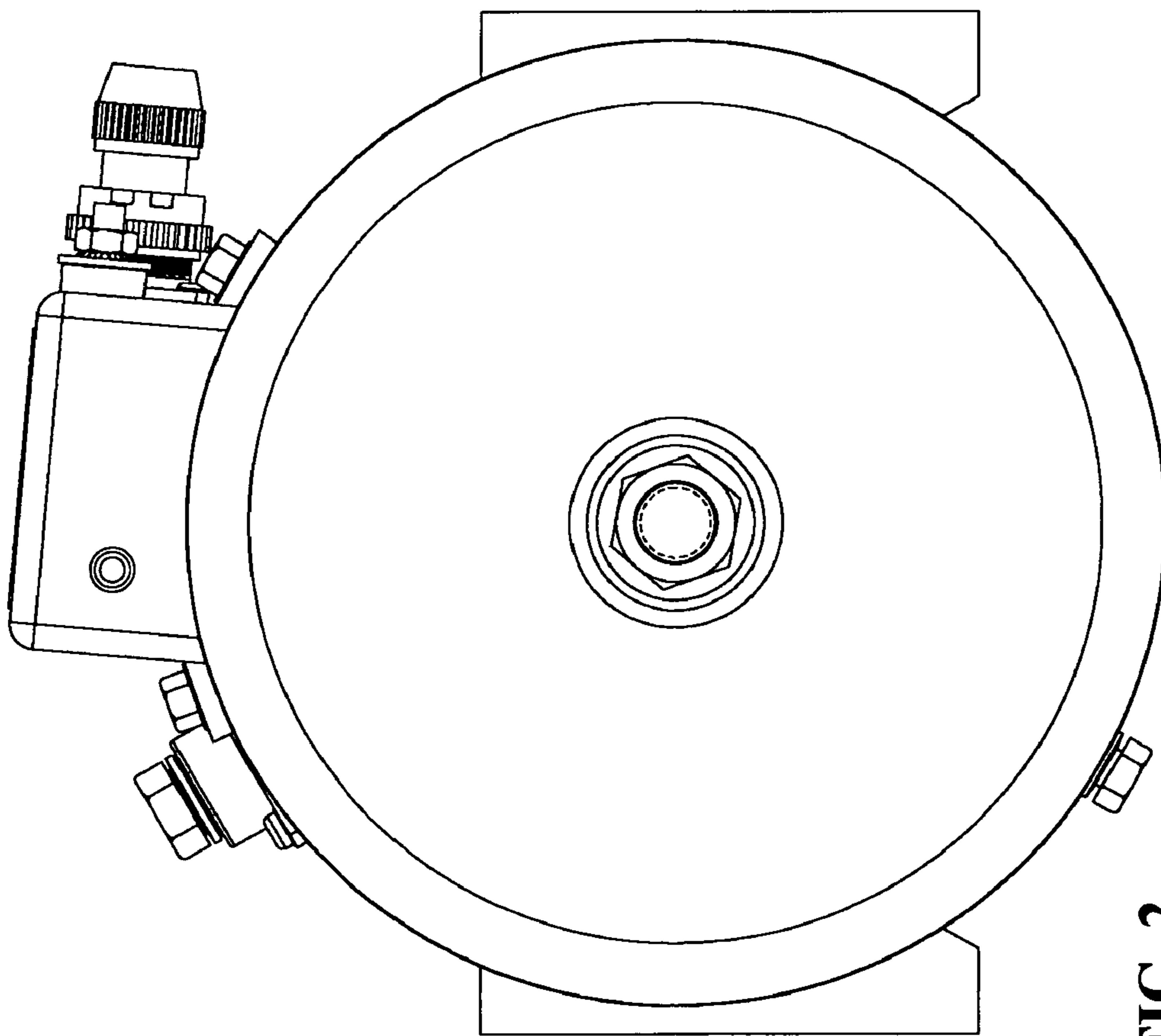


FIG. 2

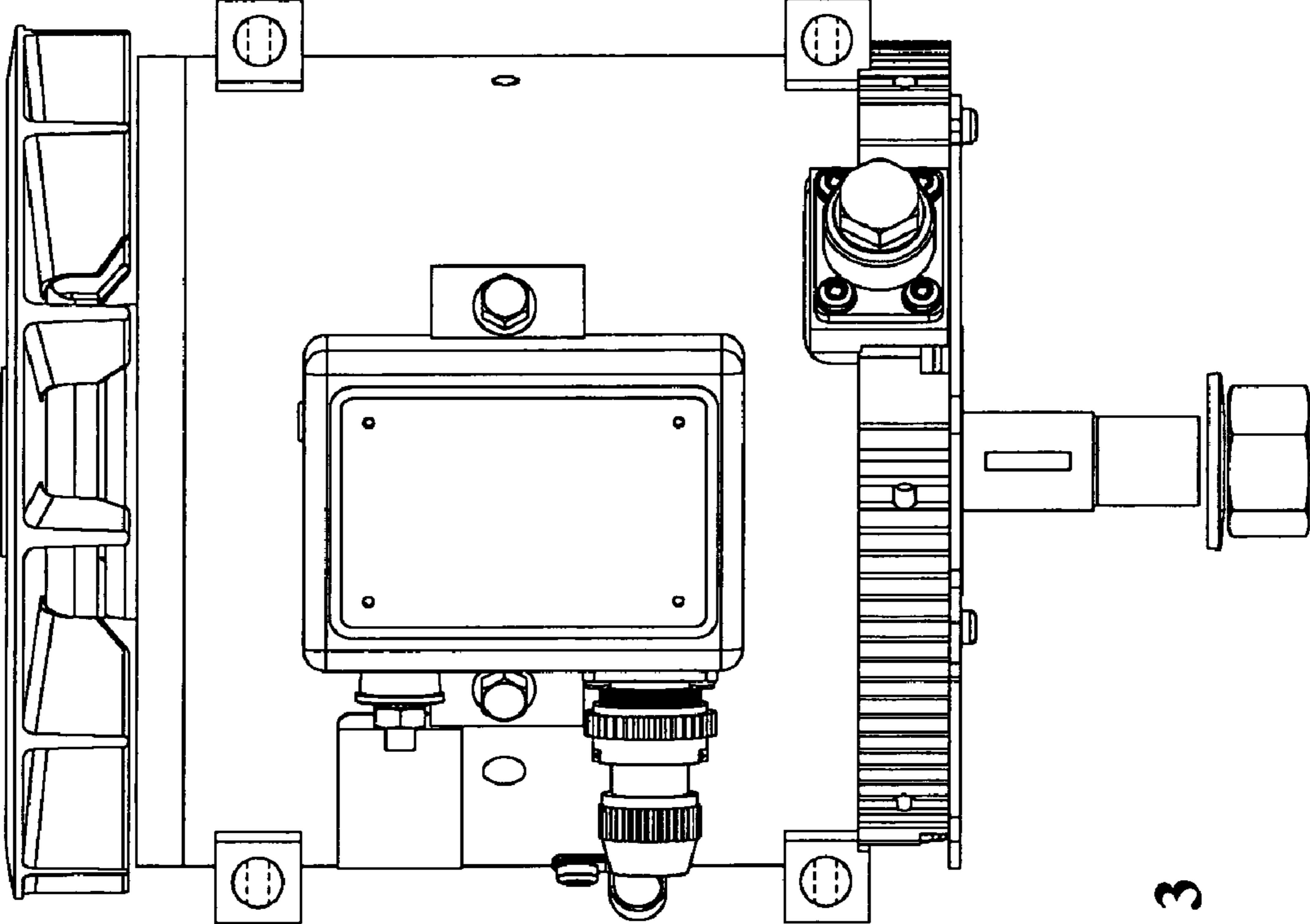


FIG. 3

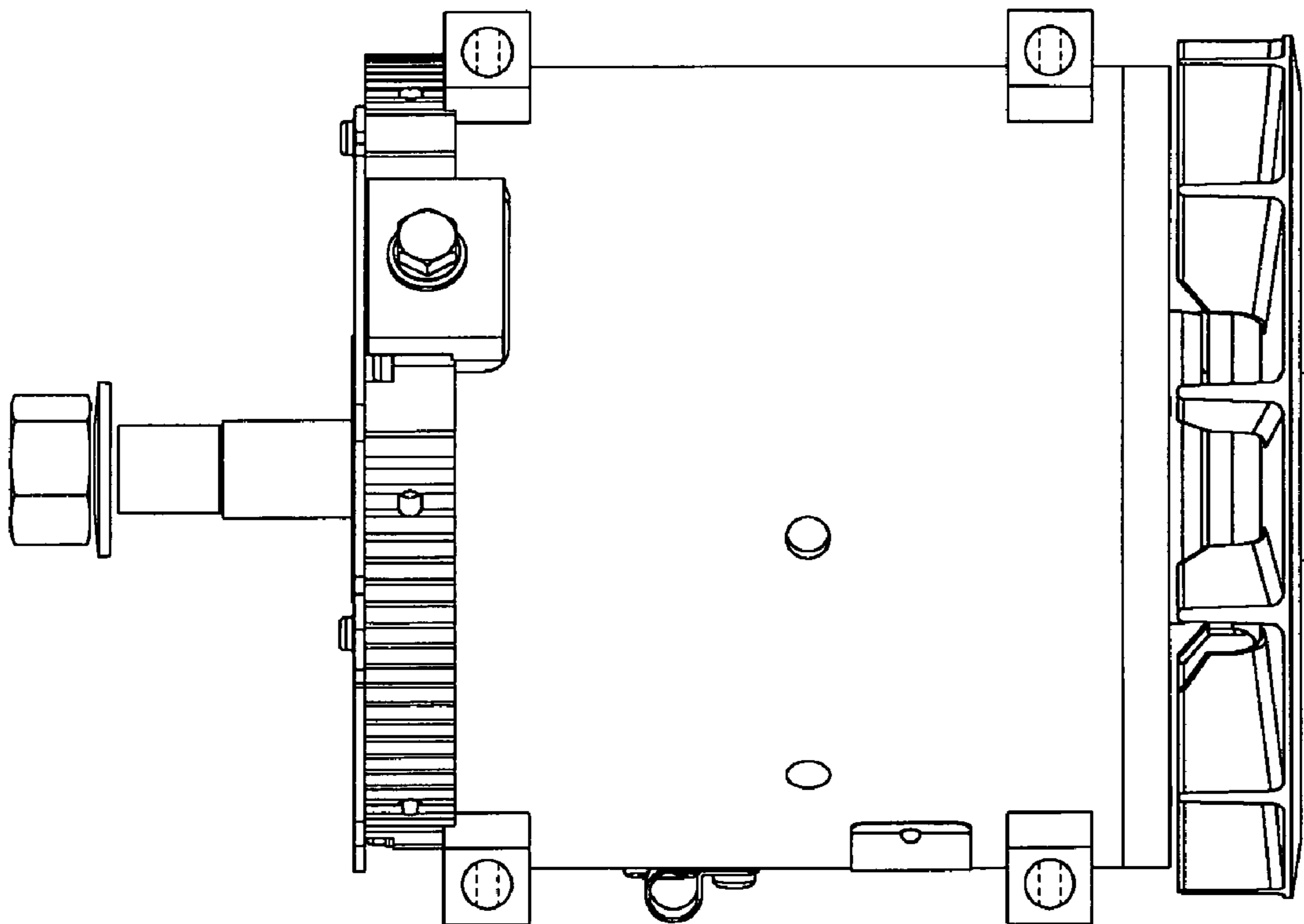


FIG. 4

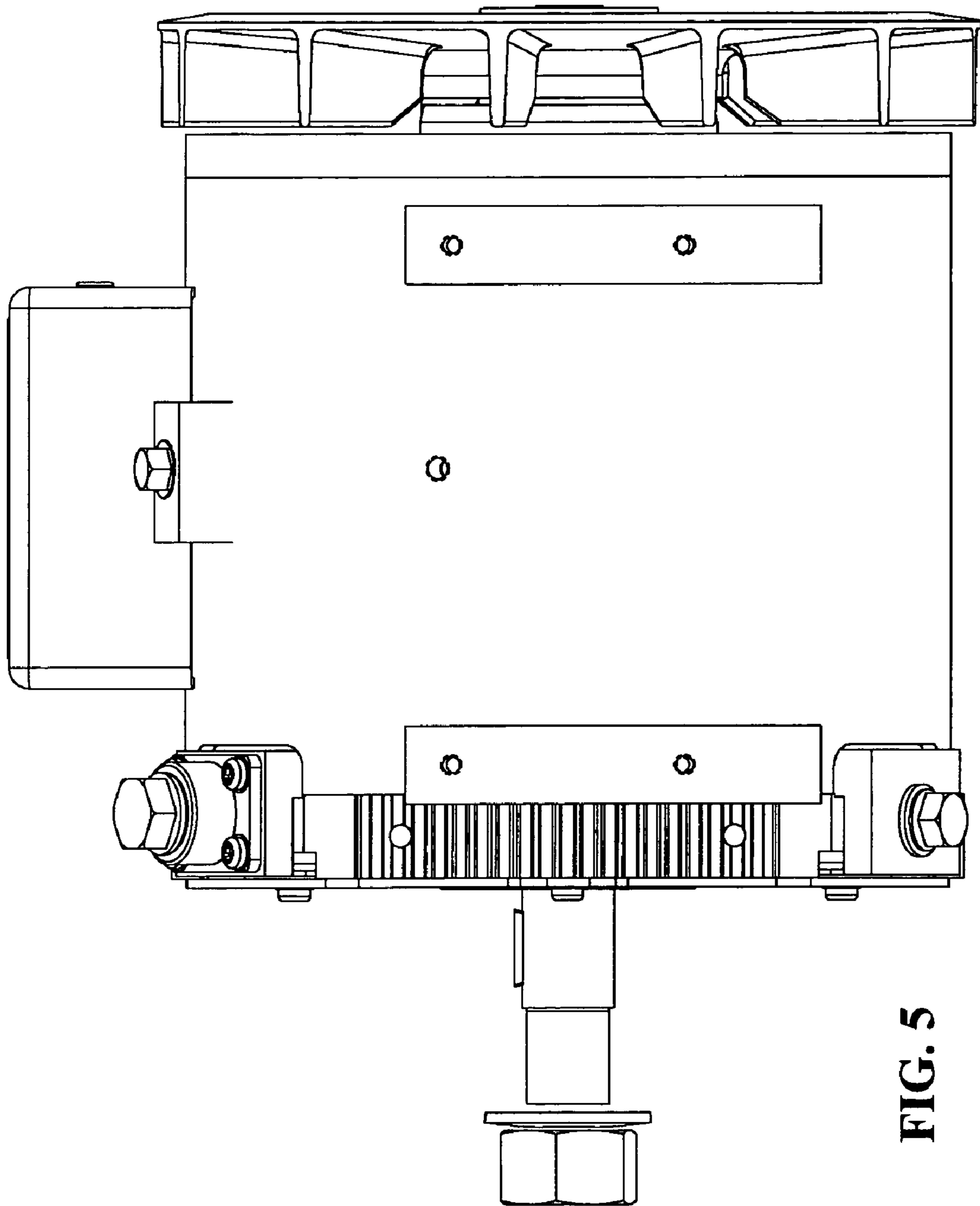
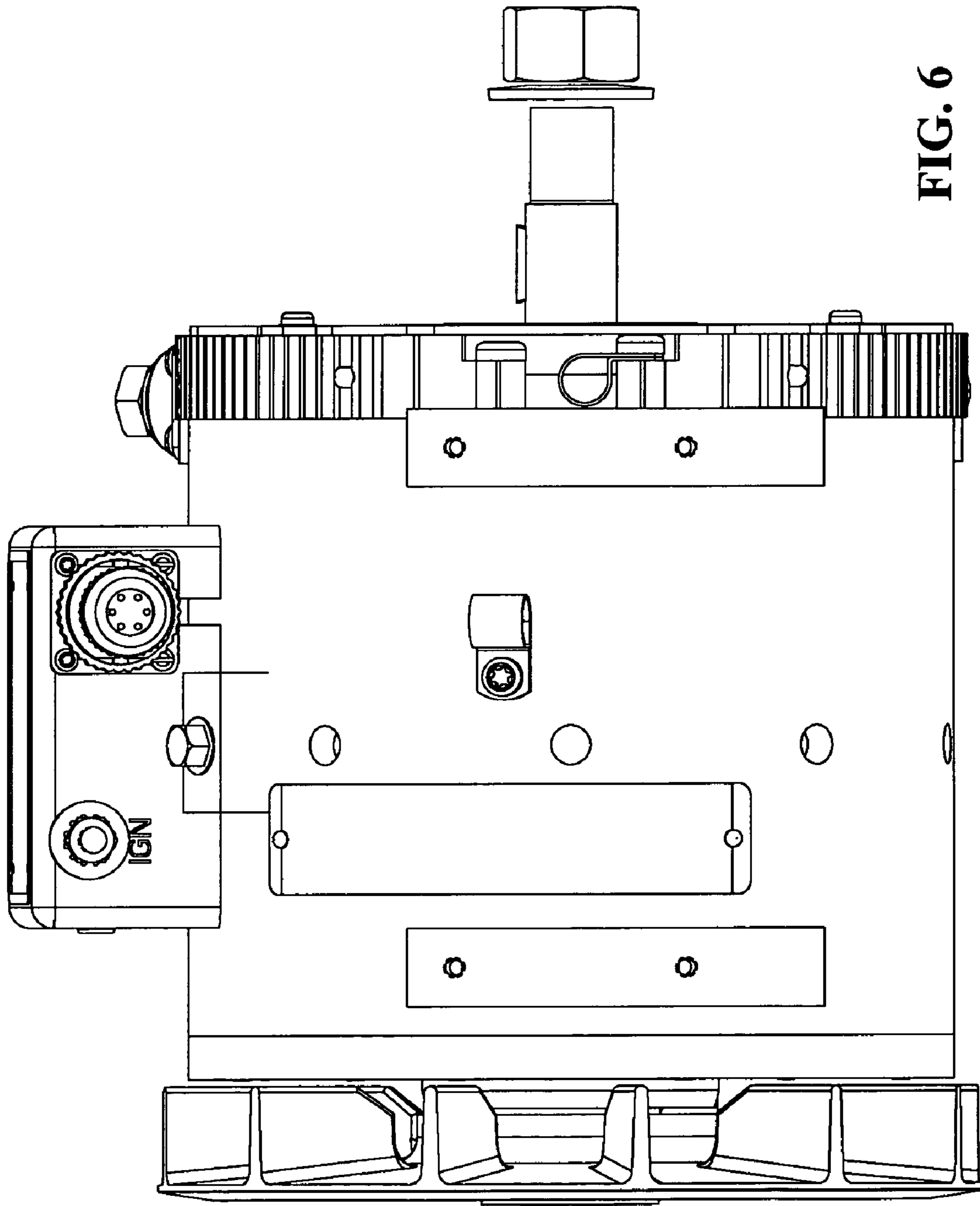


FIG. 5



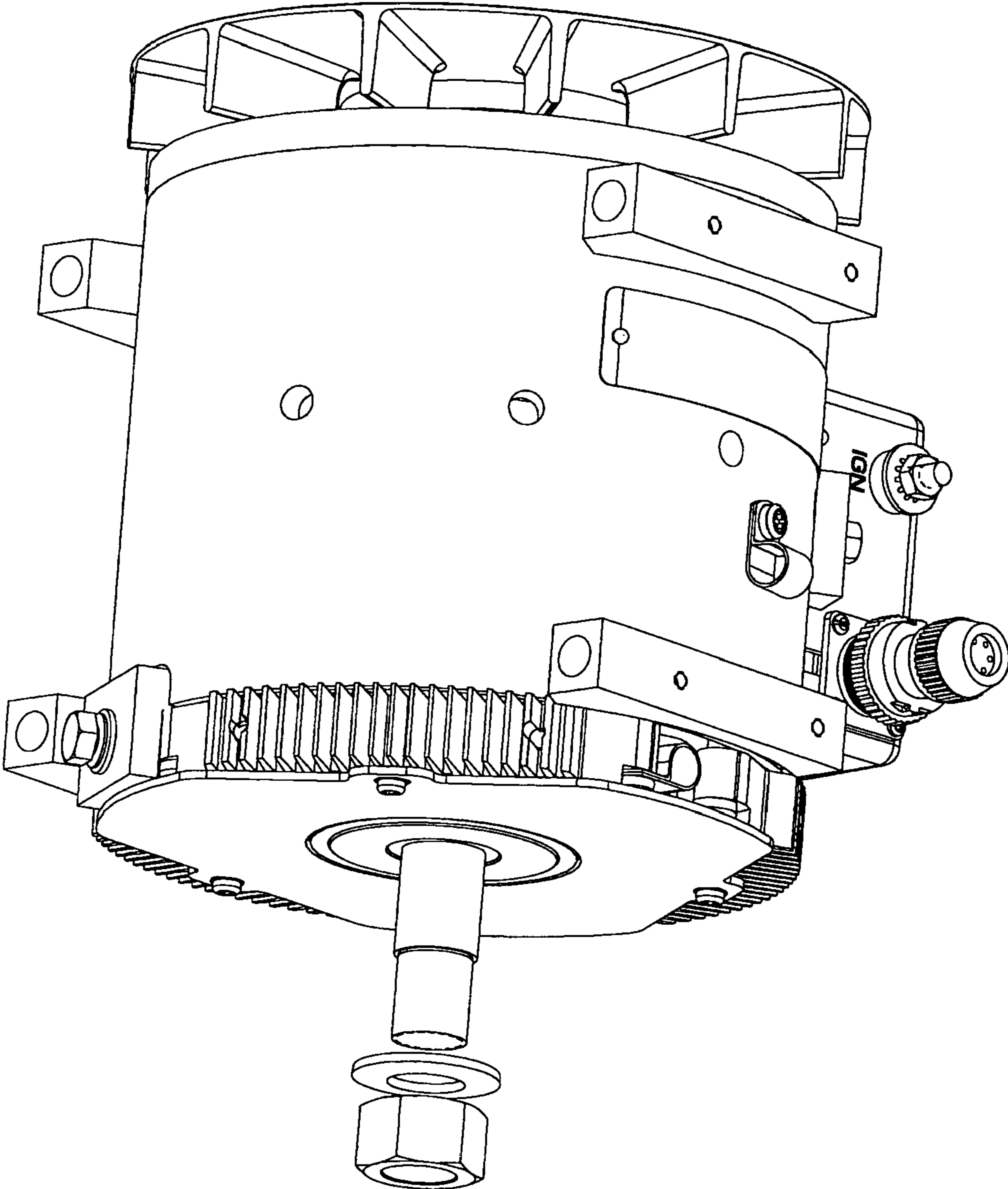


FIG. 7

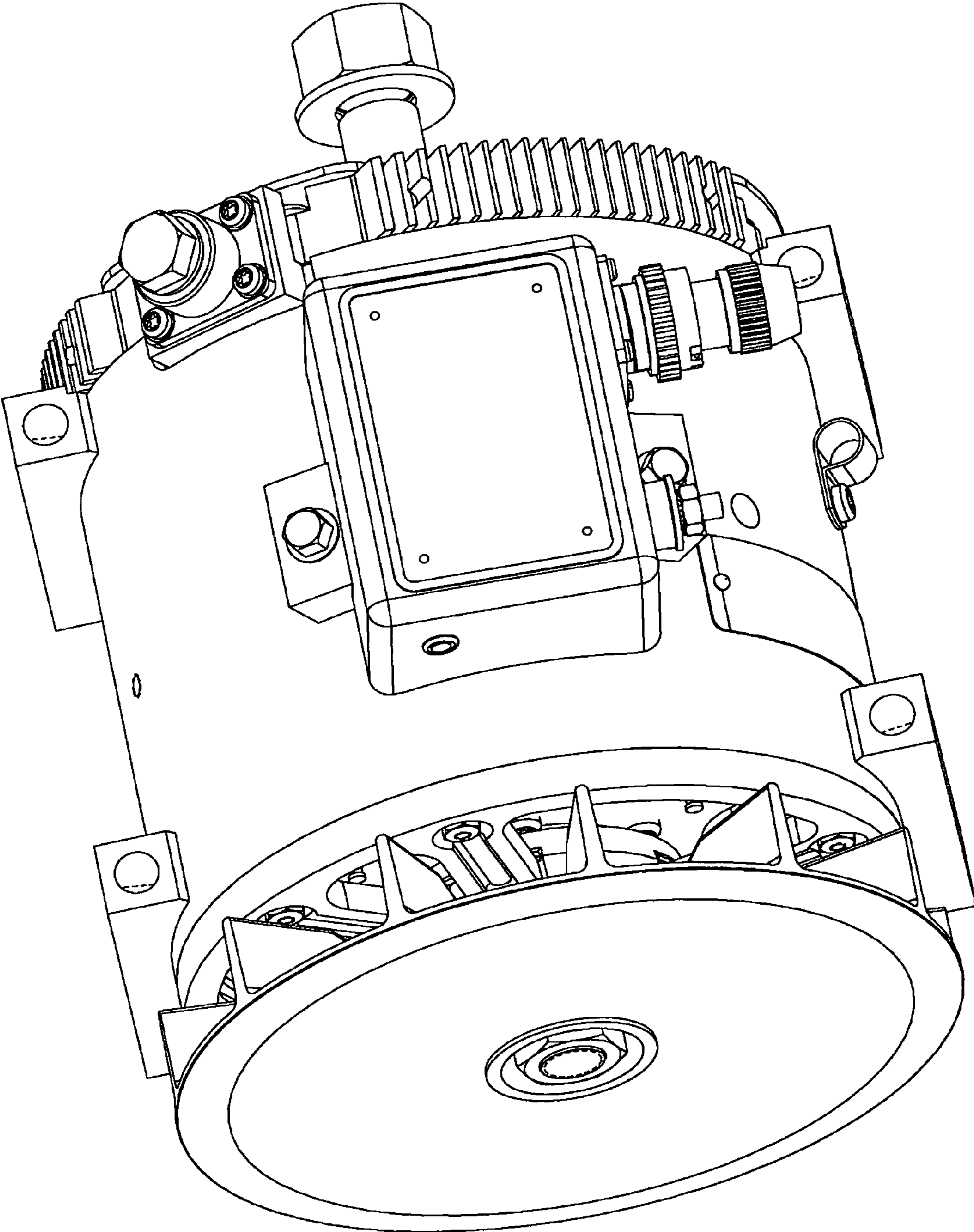


FIG. 8