



US00D563869S

(12) **United States Design Patent**
Dewberry

(10) **Patent No.:** **US D563,869 S**

(45) **Date of Patent:** **** Mar. 11, 2008**

(54) **ELECTRIC LINE CONDITIONER**

(75) **Inventor:** **George Dewberry**, P.O. Box 48259,
Los Angeles, CA (US) 90048

(73) **Assignee:** **George Dewberry**, Los Angeles, CA
(US)

(**) **Term:** **14 Years**

(21) **Appl. No.:** **29/277,199**

(22) **Filed:** **Feb. 16, 2007**

(51) **LOC (8) Cl.** **13-02**

(52) **U.S. Cl.** **D13/110**

(58) **Field of Classification Search** D13/110,
D13/101, 118, 199; 174/70 C, 102 R, 110 R,
174/126.4, 254; 219/534-536; 363/56.04,
363/56.07

See application file for complete search history.

(56) **References Cited**

U.S. PATENT DOCUMENTS

2,498,493	A *	2/1950	Hickernell	174/126.2
4,496,444	A *	1/1985	Bagnulo	205/731
5,667,712	A *	9/1997	Sutorius et al.	219/535
6,025,577	A *	2/2000	Schwarzkopf	219/535
6,456,091	B1 *	9/2002	Lee et al.	324/556
D506,726	S *	6/2005	Suckle et al.	D13/110

* cited by examiner

Primary Examiner—Prabhakar Deshmukh

Assistant Examiner—Derrick Holland

(74) *Attorney, Agent, or Firm*—The Soni Law Firm

(57) **CLAIM**

The ornamental design for a electric line conditioner, as shown and described.

DESCRIPTION

FIG. 1 is a front top side perspective view of the electric line conditioner showing my new design;

FIG. 2 is a top plan view thereof;

FIG. 3 is a left side elevational view thereof;

FIG. 4 is a right side view thereof;

FIG. 5 is a front elevational view thereof;

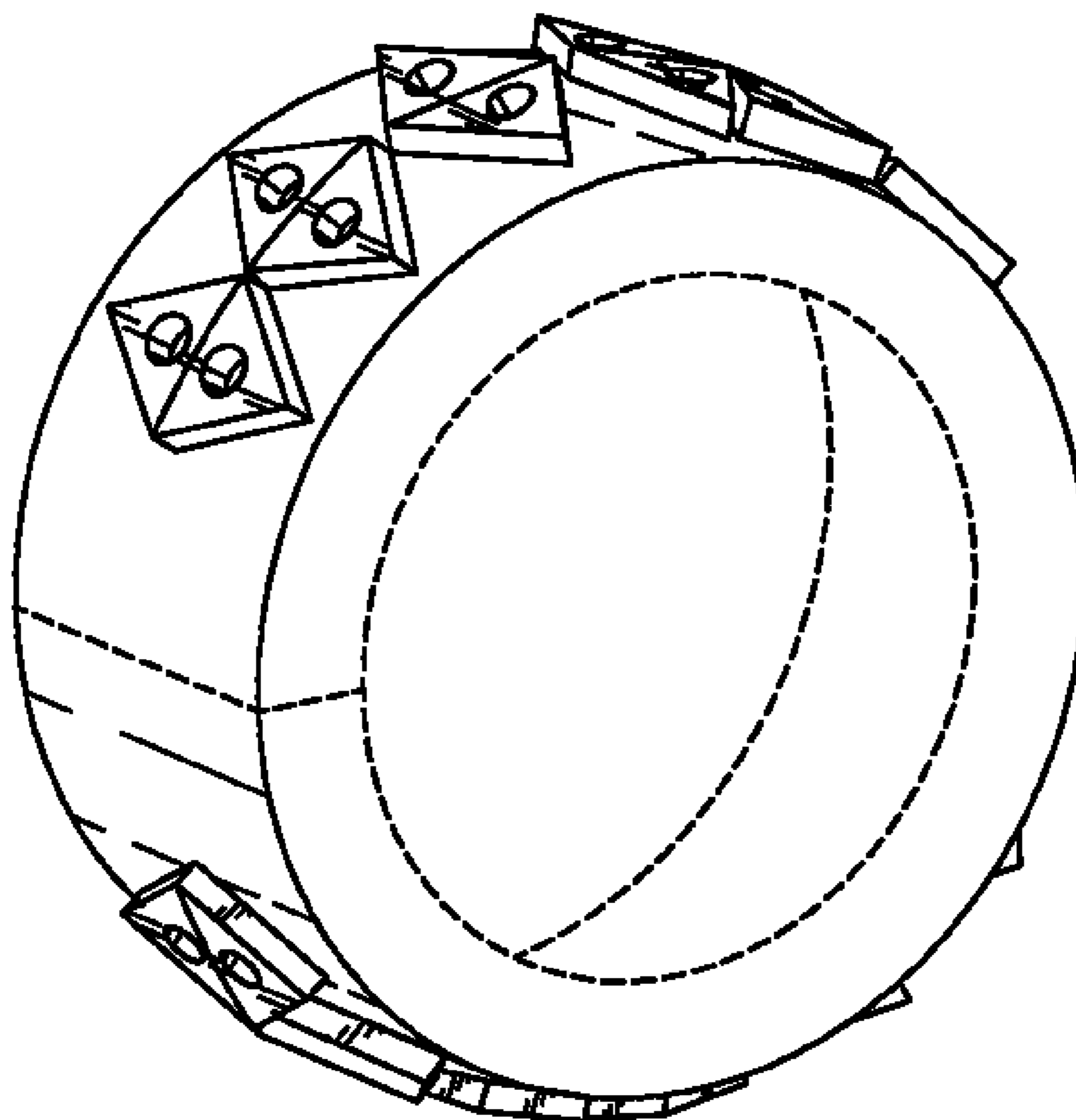
FIG. 6 is a back elevational view; and,

FIG. 7 is a perspective view thereof, shown in its environmental use.

The broken lines depicting environmental structure are for illustrative purposes only and form no part of the claimed design.

The broken line(s) which define the bounds of the claimed design form no part thereof.

1 Claim, 2 Drawing Sheets



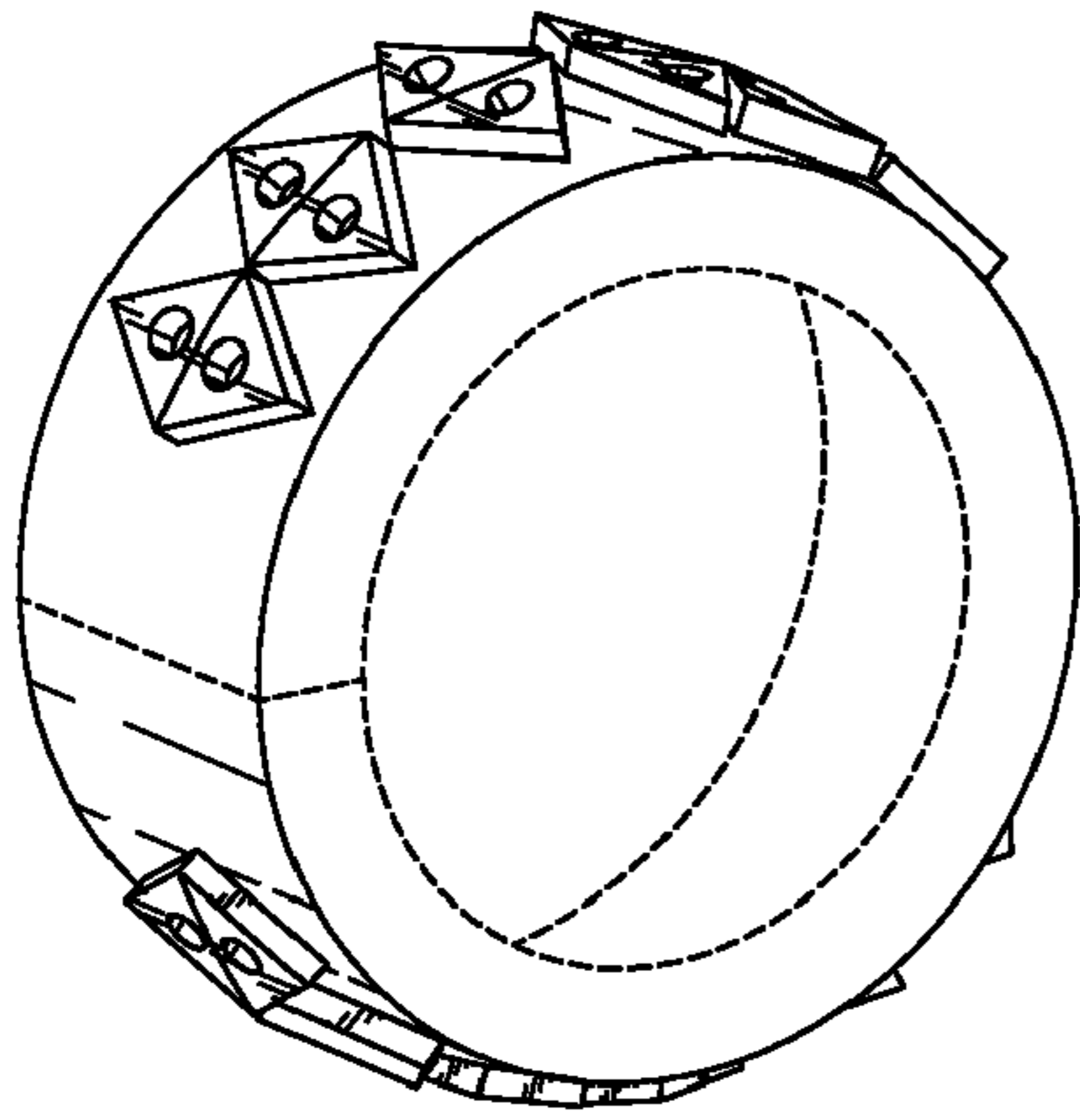


FIG. 1

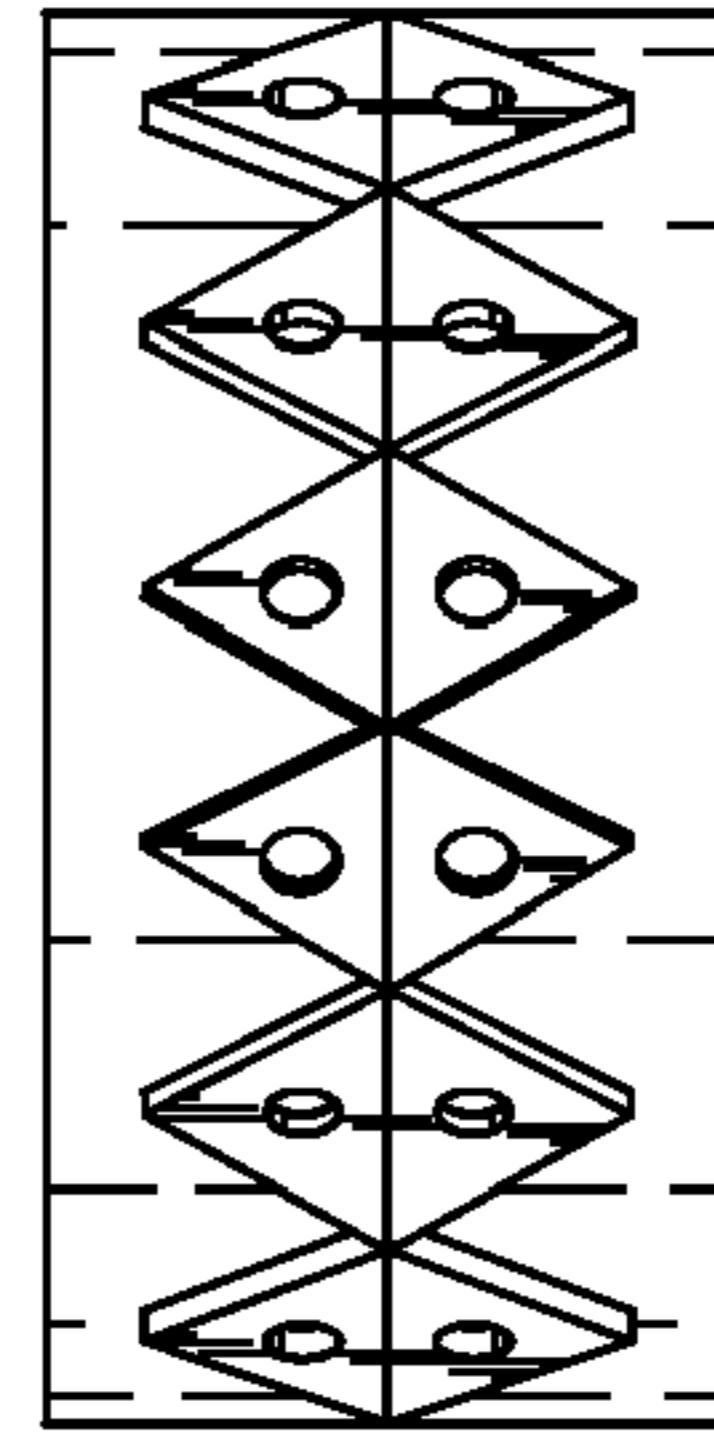


FIG. 2

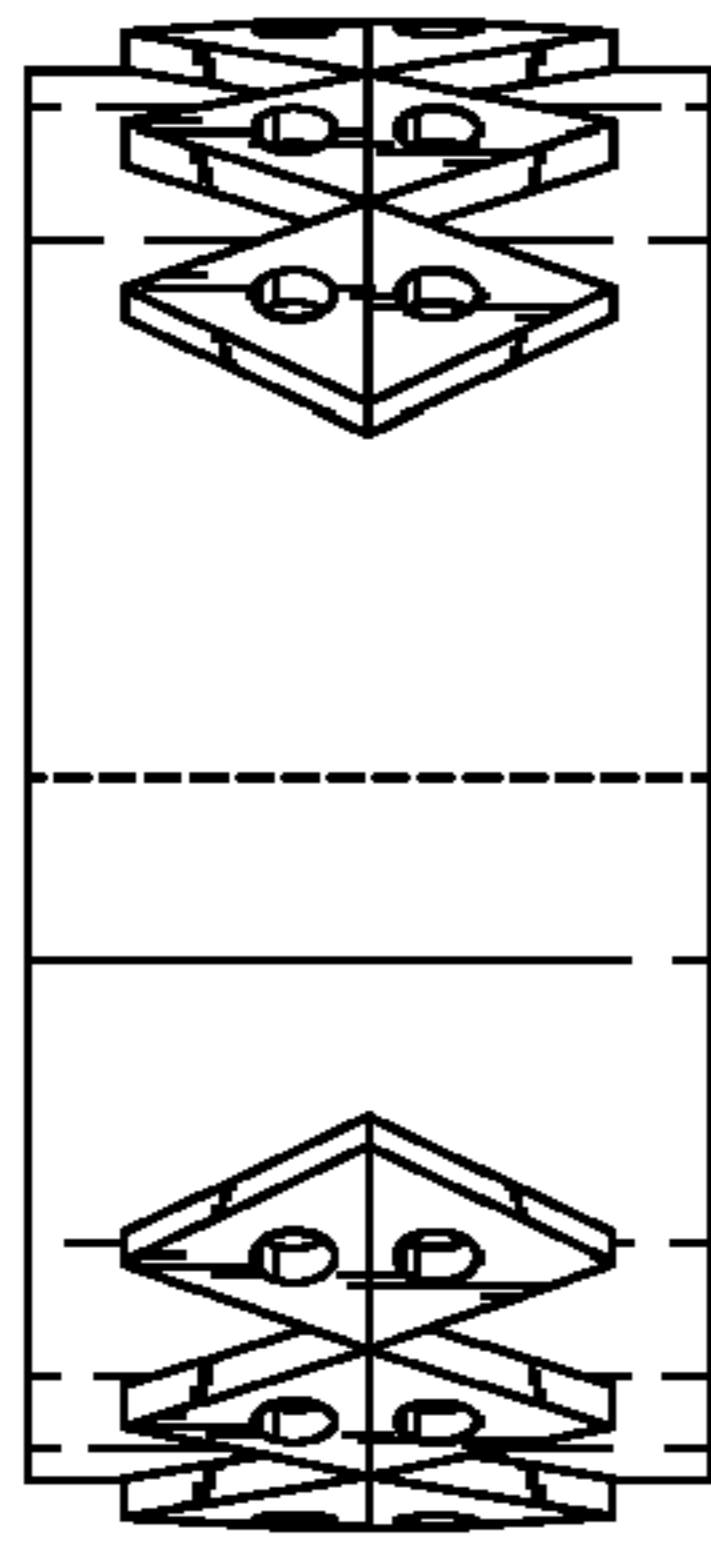


FIG. 3

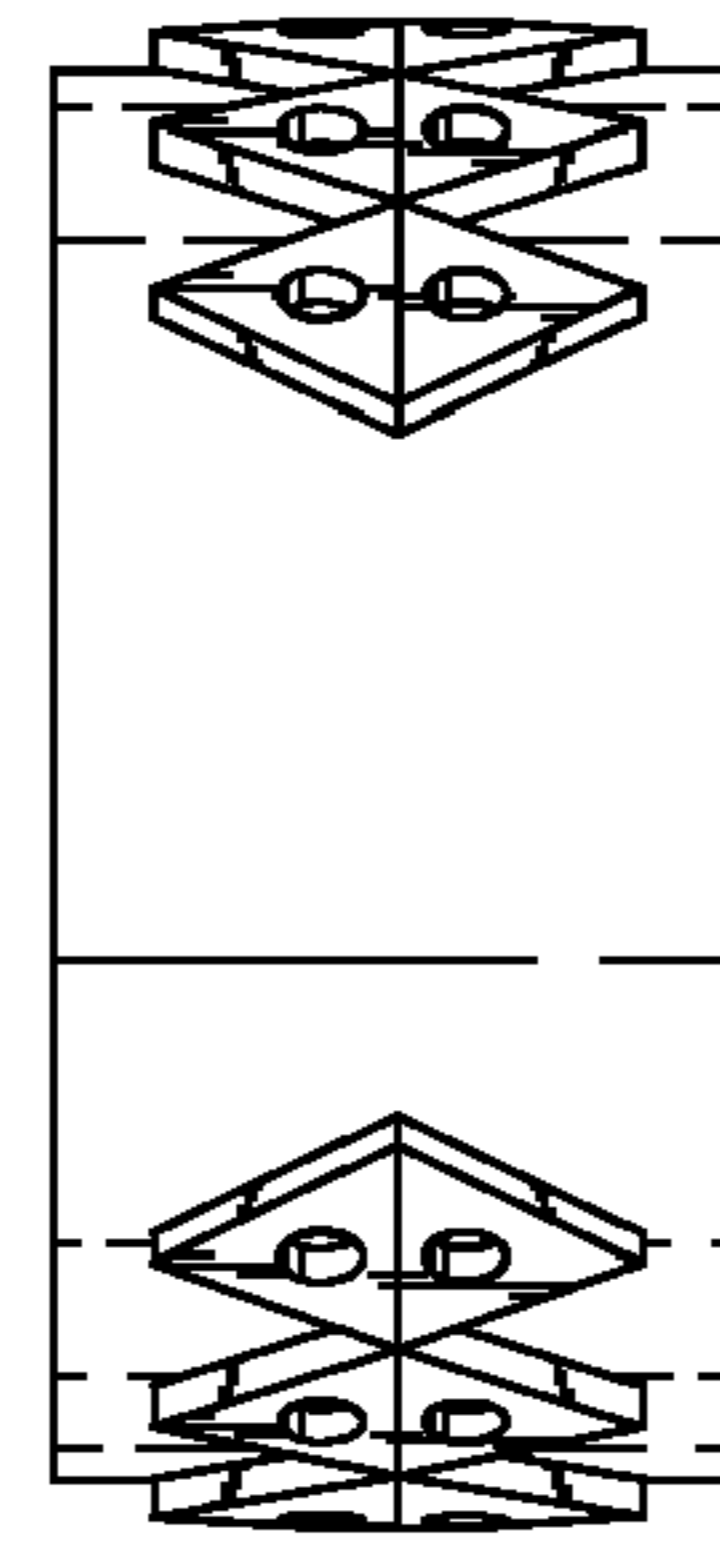


FIG. 4

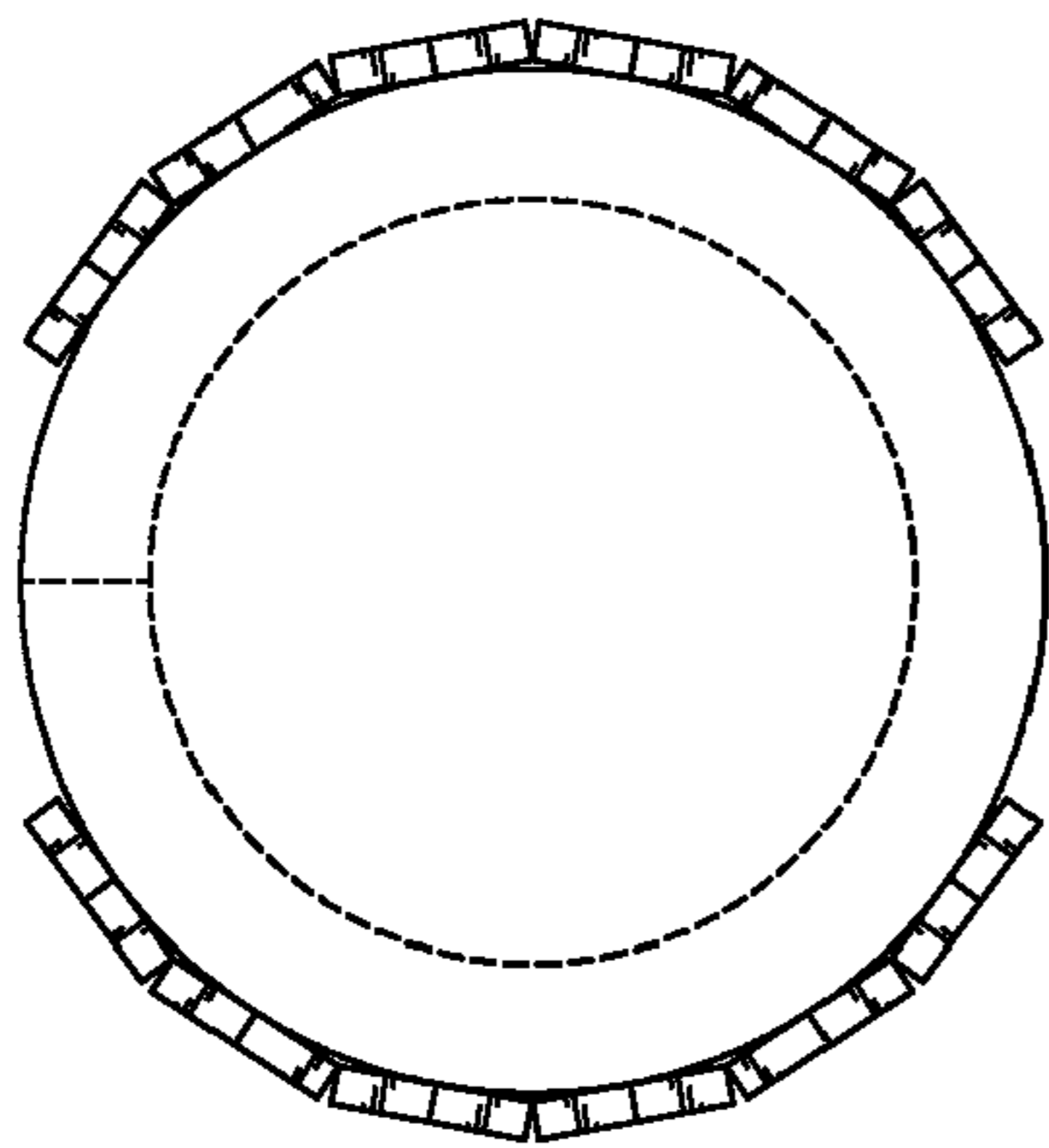


FIG. 5

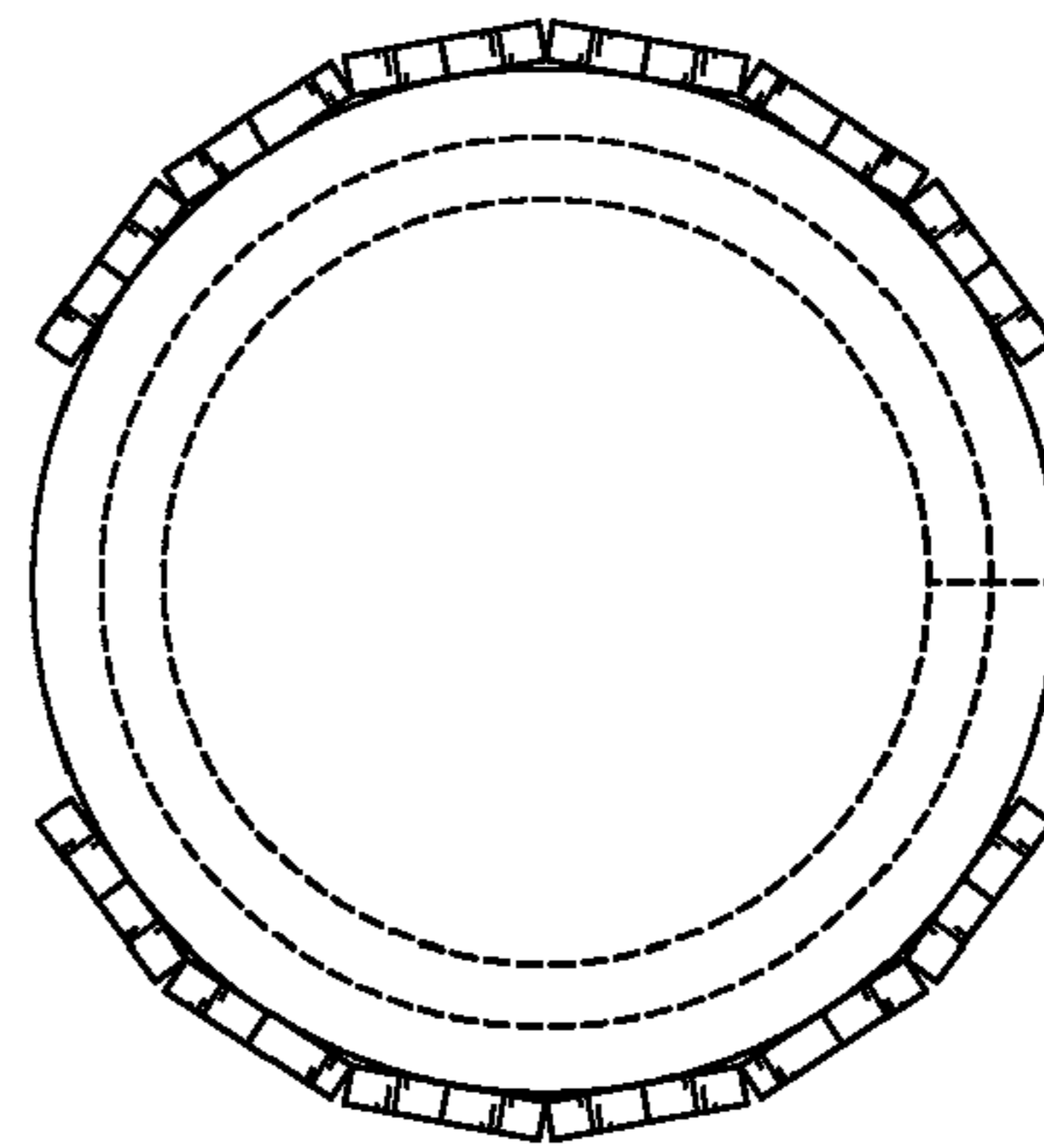


FIG. 6

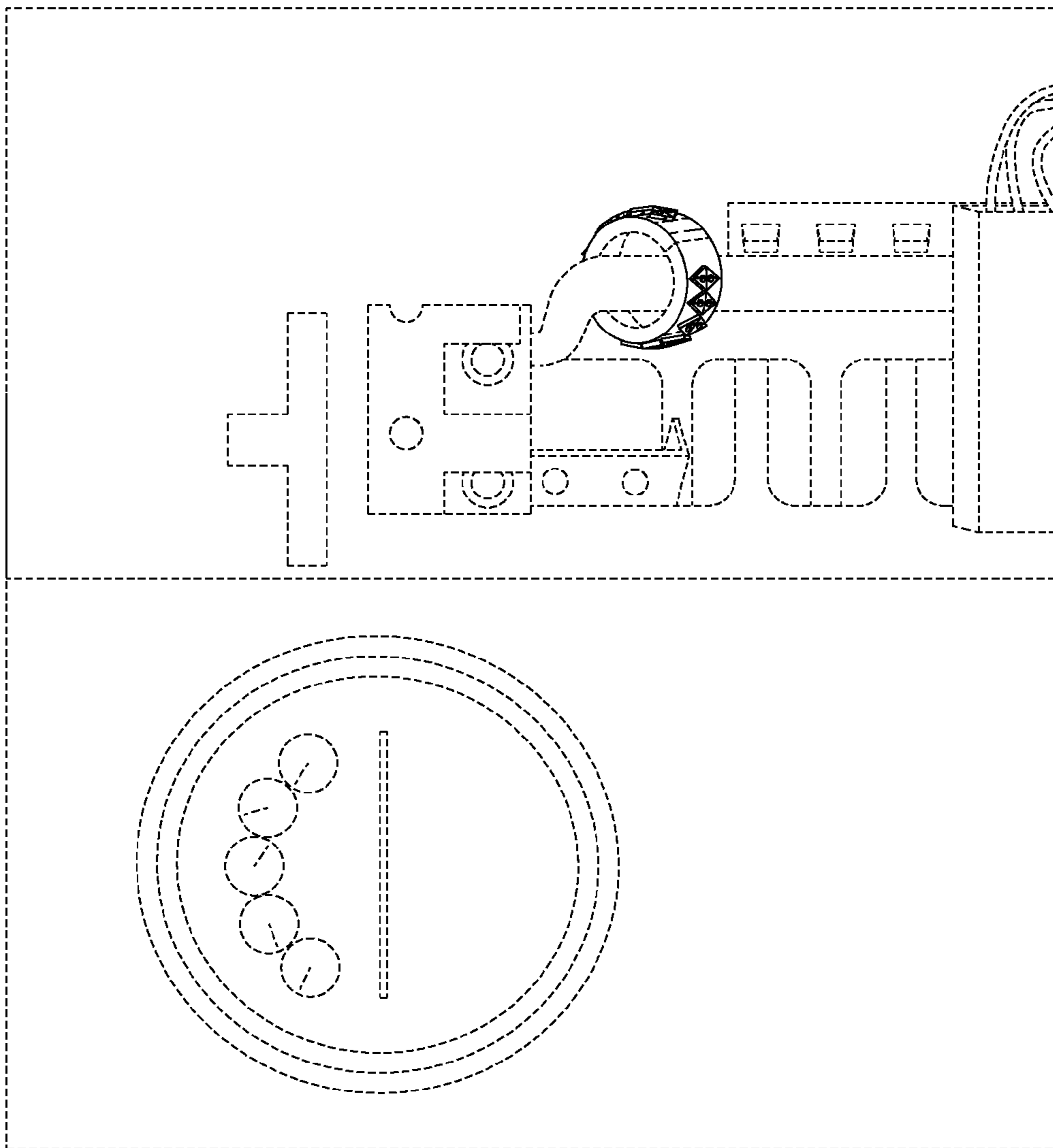


Fig. 2