

US00D563868S

(12) **United States Design Patent**
Christopher et al.

(10) **Patent No.:** **US D563,868 S**
(45) **Date of Patent:** **** Mar. 11, 2008**

(54) **HOUSING FOR A CHARGING DEVICE**

(75) Inventors: **Stephen M. Christopher**, Chicago, IL (US); **Jon Godston**, Chicago, IL (US); **Scott H. Wilson**, Chicago, IL (US)

(73) Assignee: **Motorola Inc.**, Schaumburg, IL (US)

(**) Term: **14 Years**

(21) Appl. No.: **29/281,713**

(22) Filed: **Jun. 29, 2007**

(51) **LOC (8) Cl.** **13-02**

(52) **U.S. Cl.** **D13/108**

(58) **Field of Classification Search** D13/107-110,
D13/118-119, 184; D14/251, 253, 432,
D14/434; 320/107-115

See application file for complete search history.

(56) **References Cited**

U.S. PATENT DOCUMENTS

D331,220 S *	11/1992	Tsuchiya	D13/107
D336,281 S *	6/1993	Nakamura et al.	D13/107
D348,427 S *	7/1994	Ohmaki et al.	D13/107
D443,856 S *	6/2001	Lehtovaara	D13/107
D548,178 S *	8/2007	Suk et al.	D13/108
D552,029 S *	10/2007	Kingston et al.	D13/108
D552,539 S *	10/2007	Choi et al.	D13/108
D553,077 S *	10/2007	Kim et al.	D13/108
2002/0117995 A1 *	8/2002	Oh	320/107
2007/0159133 A1 *	7/2007	Kang et al.	320/107

* cited by examiner

Primary Examiner—Robin V. Webster

Assistant Examiner—Rosemary K Tarcza

(74) *Attorney, Agent, or Firm*—David S. Noskowics

(57) **CLAIM**

The ornamental design for a housing for a charging device, as shown and described.

DESCRIPTION

FIG. 1 is a perspective view of the housing for a charging device;

FIG. 2 is a front view thereof;

FIG. 3 is a rear view thereof;

FIG. 4 is a first side view thereof;

FIG. 5 is a second side view thereof;

FIG. 6 is a top view thereof;

FIG. 7 is a bottom view thereof.

FIG. 8 is a perspective view of the lid portion of the housing for a charging device of FIG. 1, shown separately for ease of illustration;

FIG. 9 is a front view thereof;

FIG. 10 is a rear view thereof;

FIG. 11 is a first side view thereof;

FIG. 12 is a second side view thereof;

FIG. 13 is a top view thereof;

FIG. 14 is a bottom view thereof;

FIG. 15 is a perspective view of the charger base portion of the housing for a charging device of FIG. 1, shown separately for ease of illustration;

FIG. 16 is a front view thereof;

FIG. 17 is a rear view thereof;

FIG. 18 is a first side view thereof;

FIG. 19 is a second side view thereof;

FIG. 20 is a top view thereof;

FIG. 21 is a bottom view thereof;

FIG. 22 is a perspective view of the housing for a charging device of FIG. 1, shown with the lid in an alternate position;

FIG. 23 is a front view thereof;

FIG. 24 is a rear view thereof;

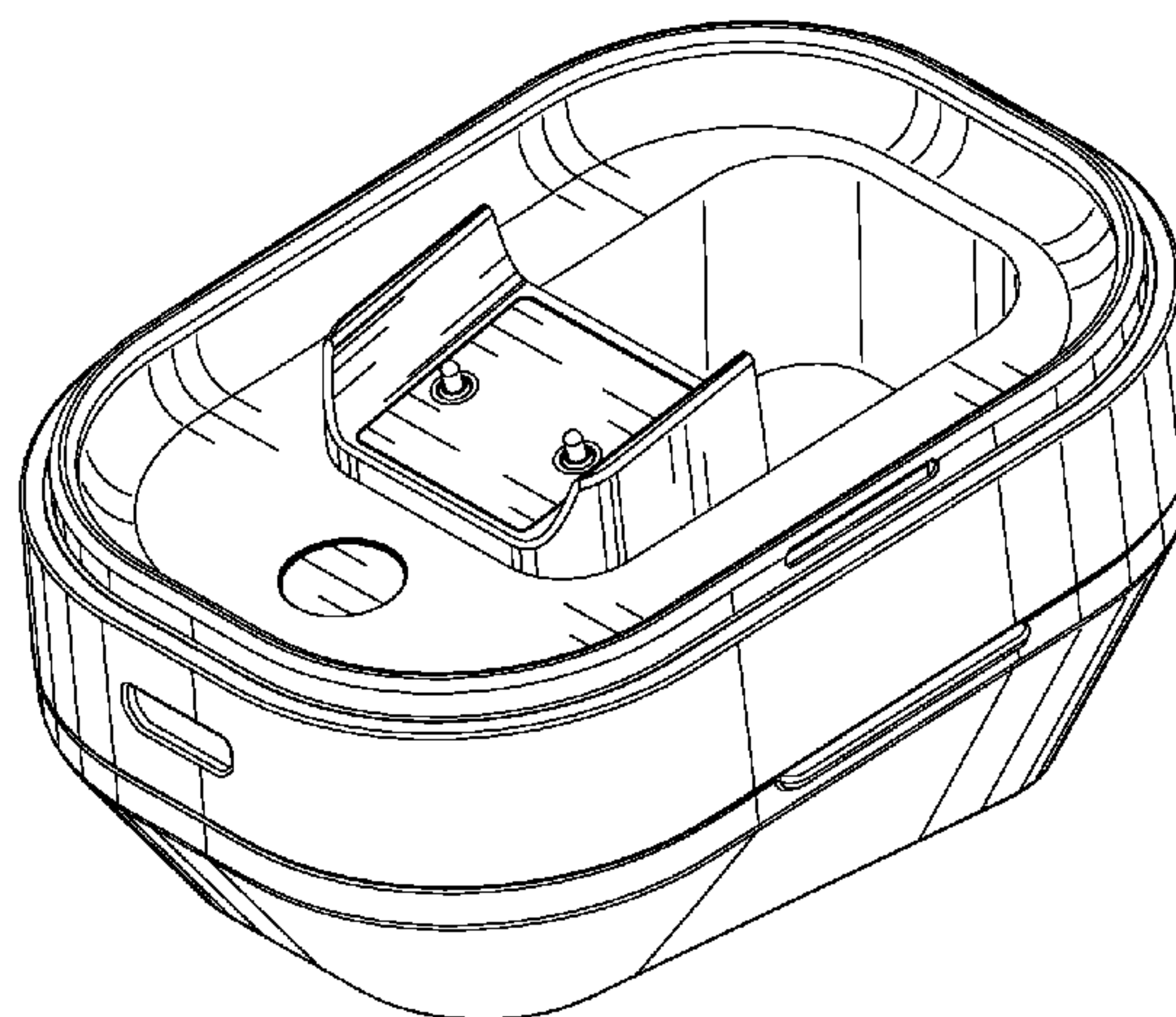
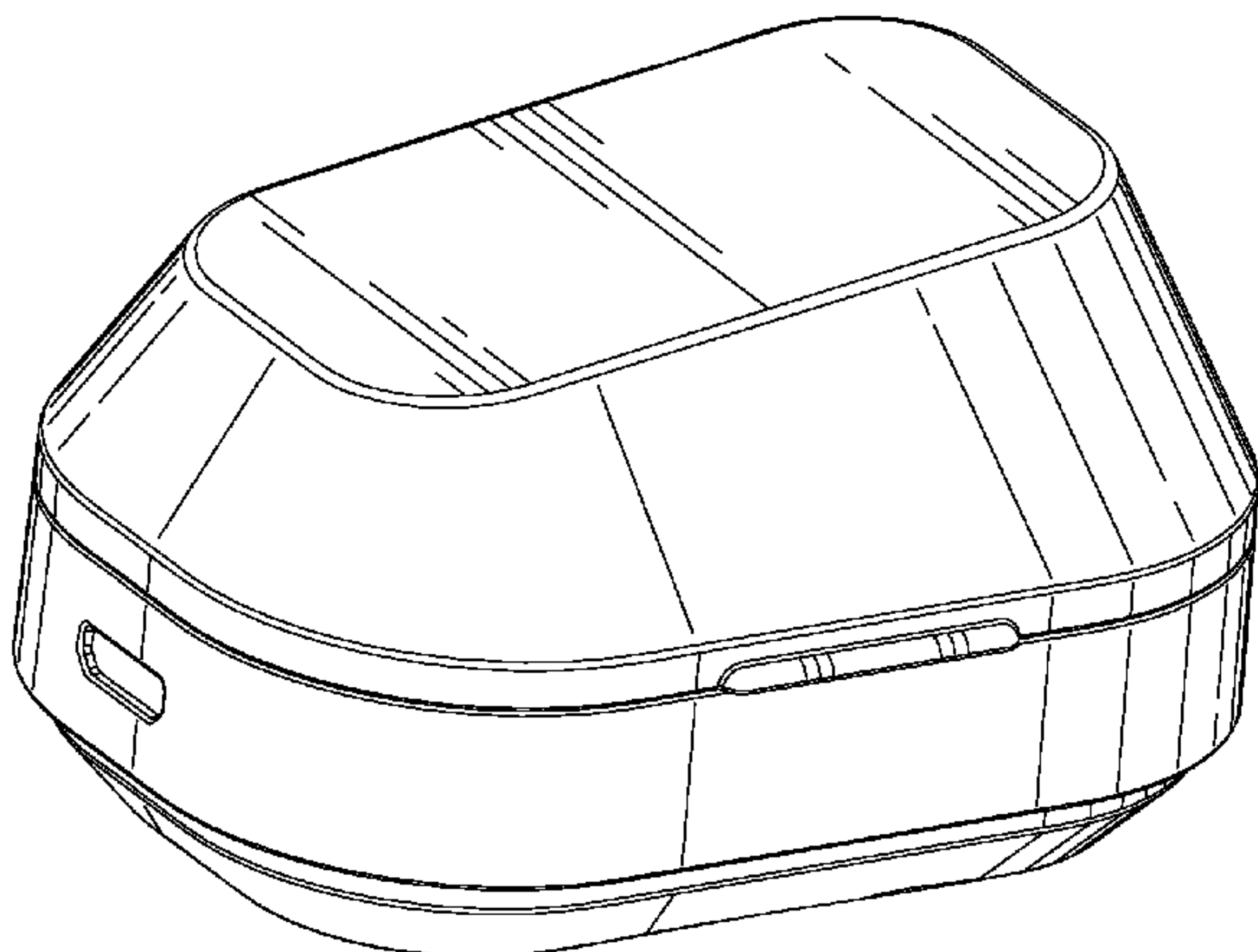
FIG. 25 is a first side view thereof;

FIG. 26 is a second side view thereof;

FIG. 27 is a top view thereof; and,

FIG. 28 is a bottom view thereof.

1 Claim, 16 Drawing Sheets



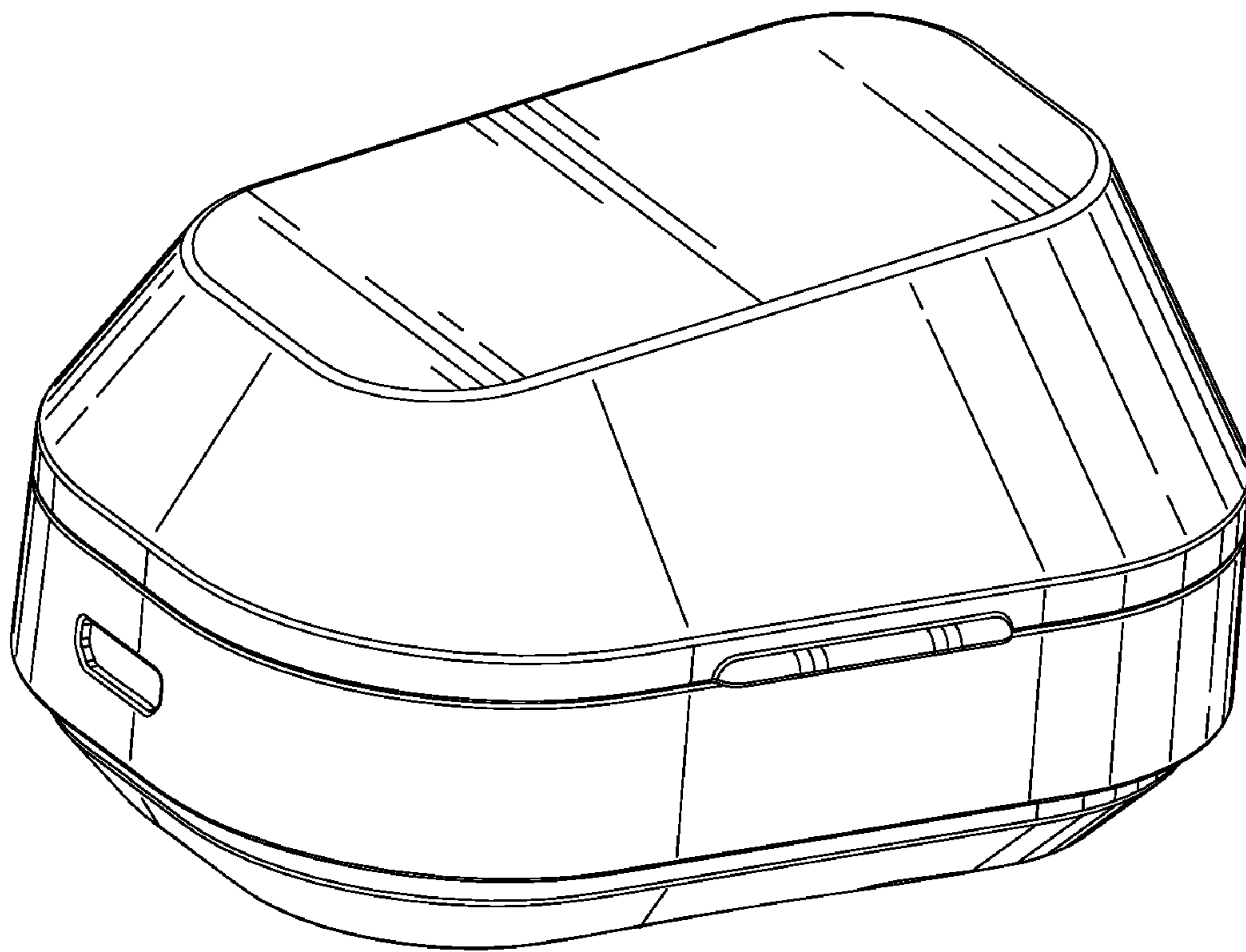


FIG. 1

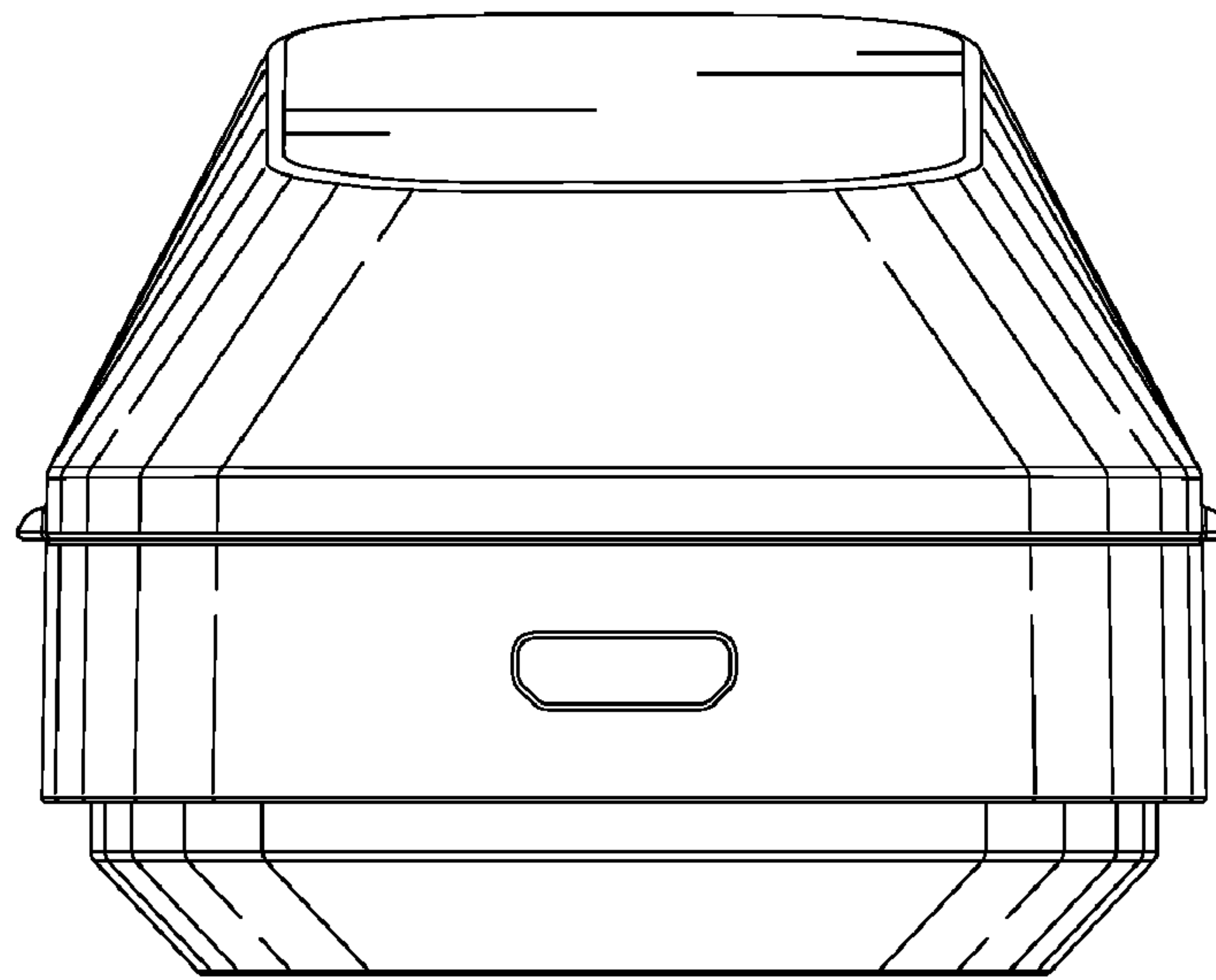


FIG. 2

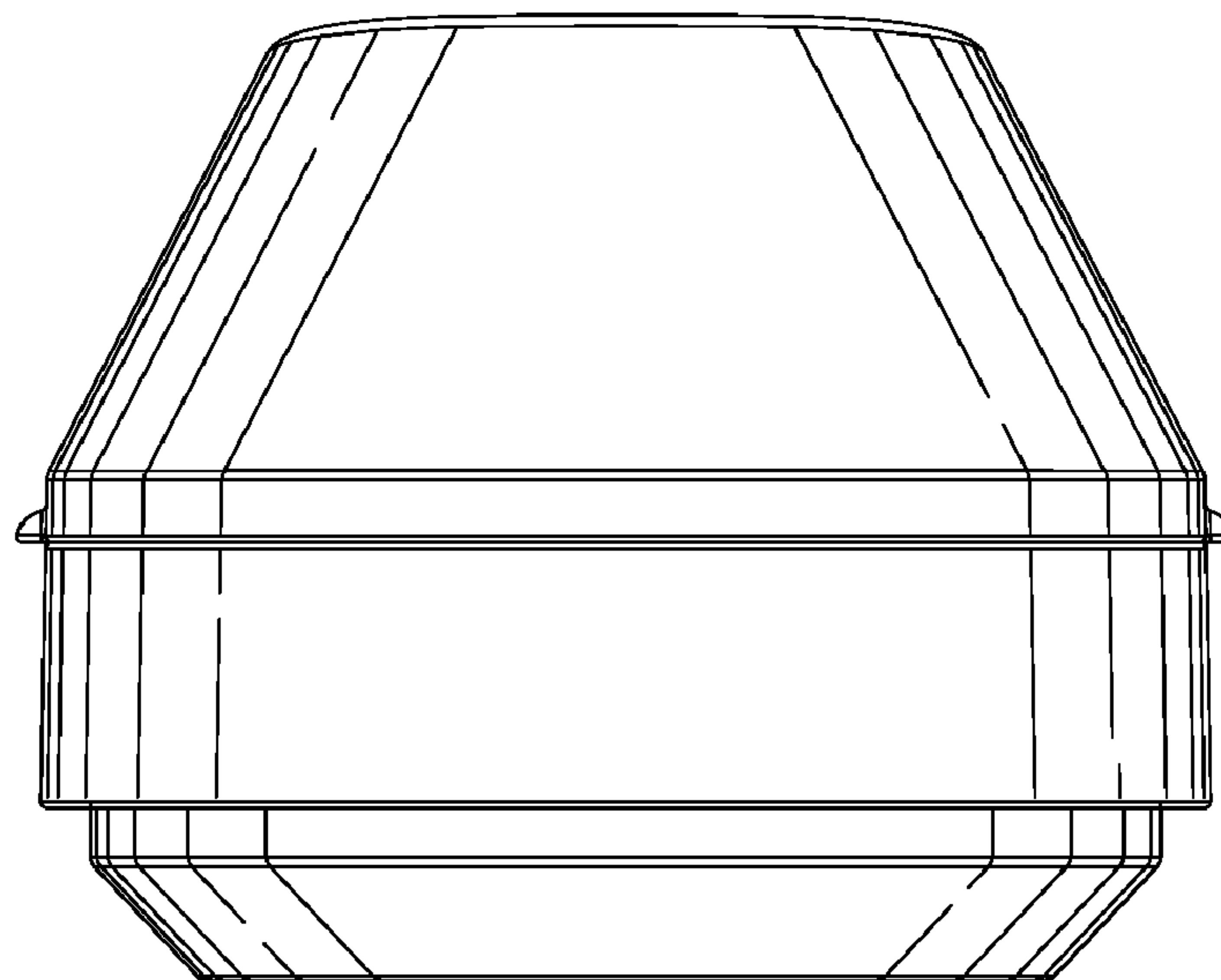


FIG. 3

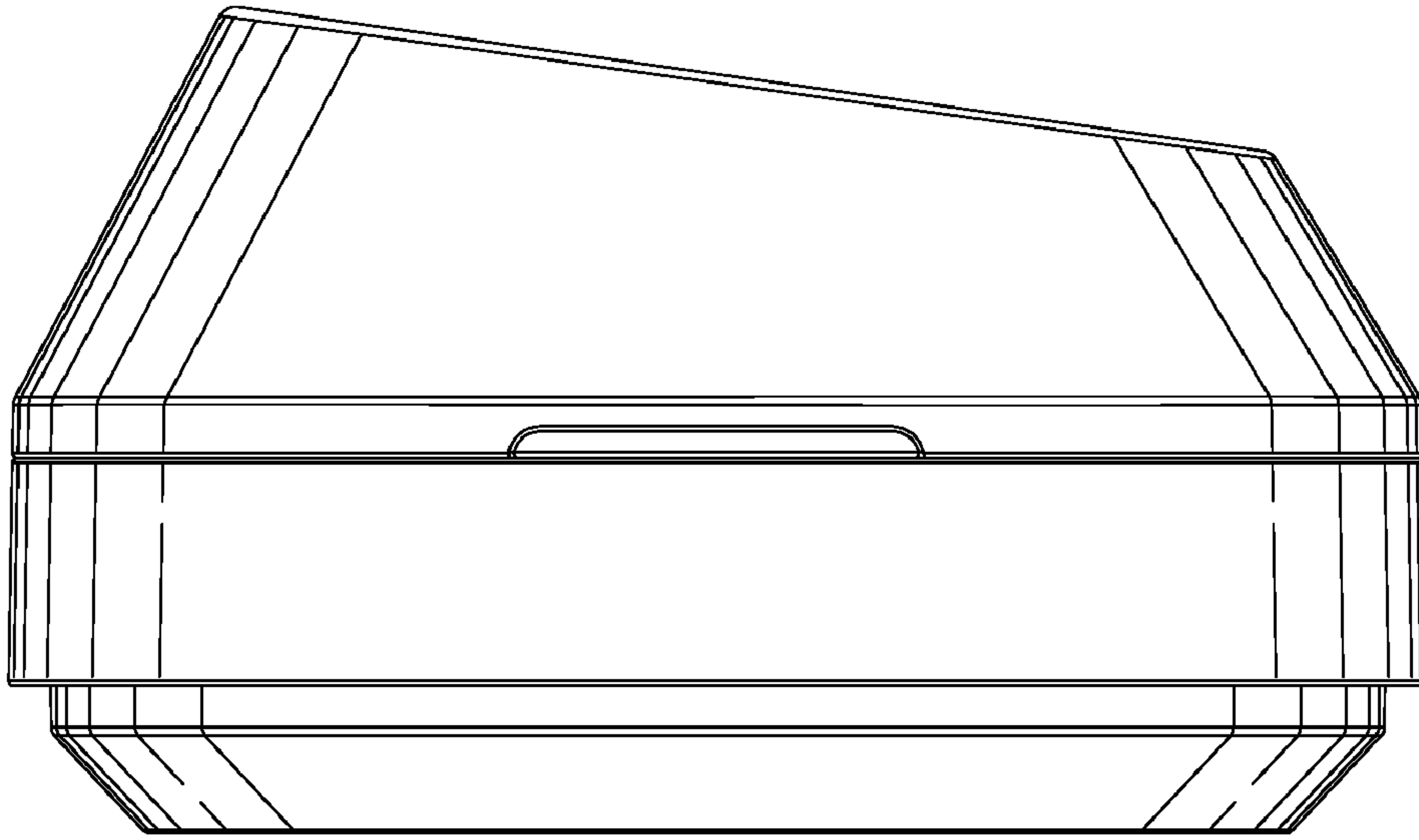


FIG. 4

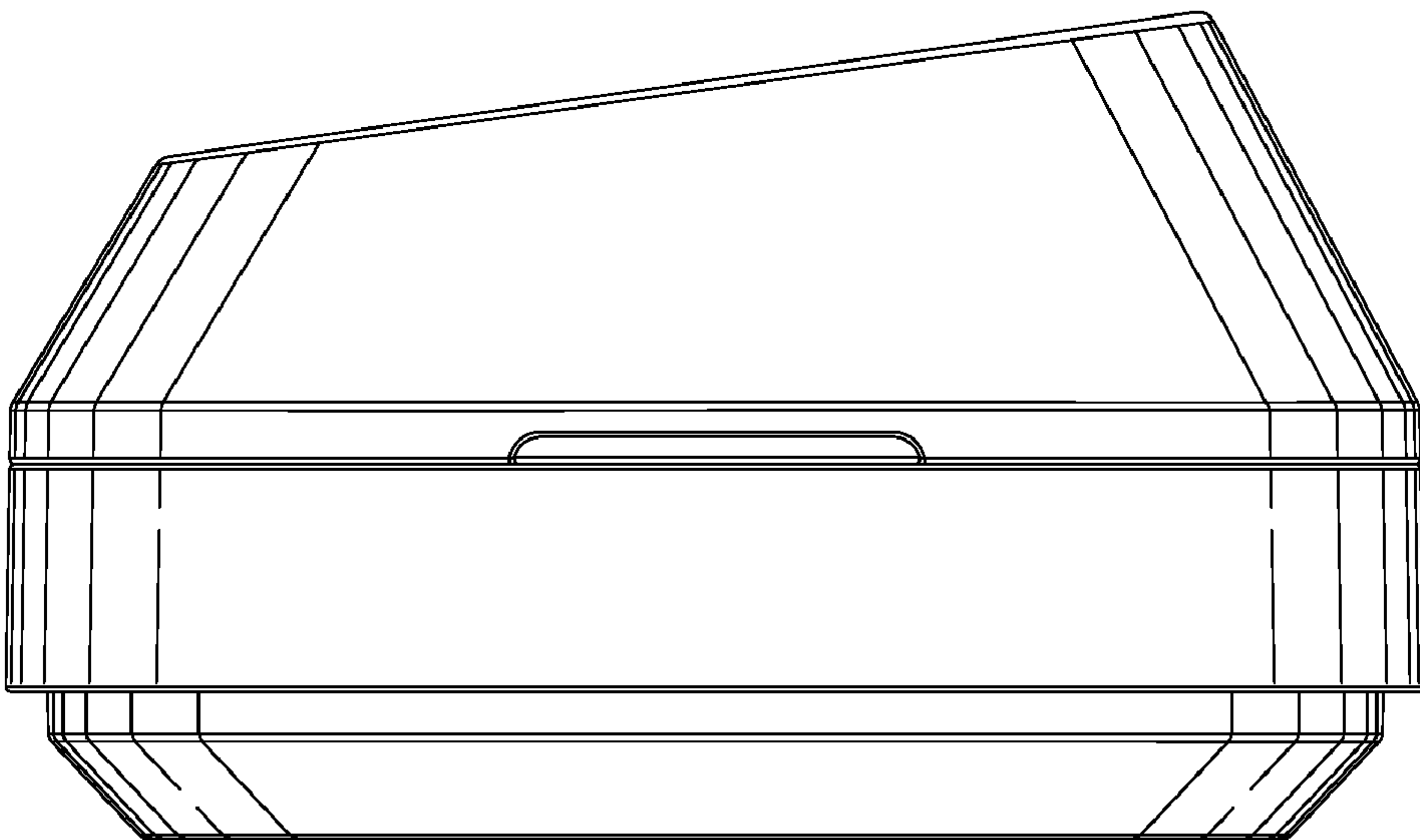


FIG. 5

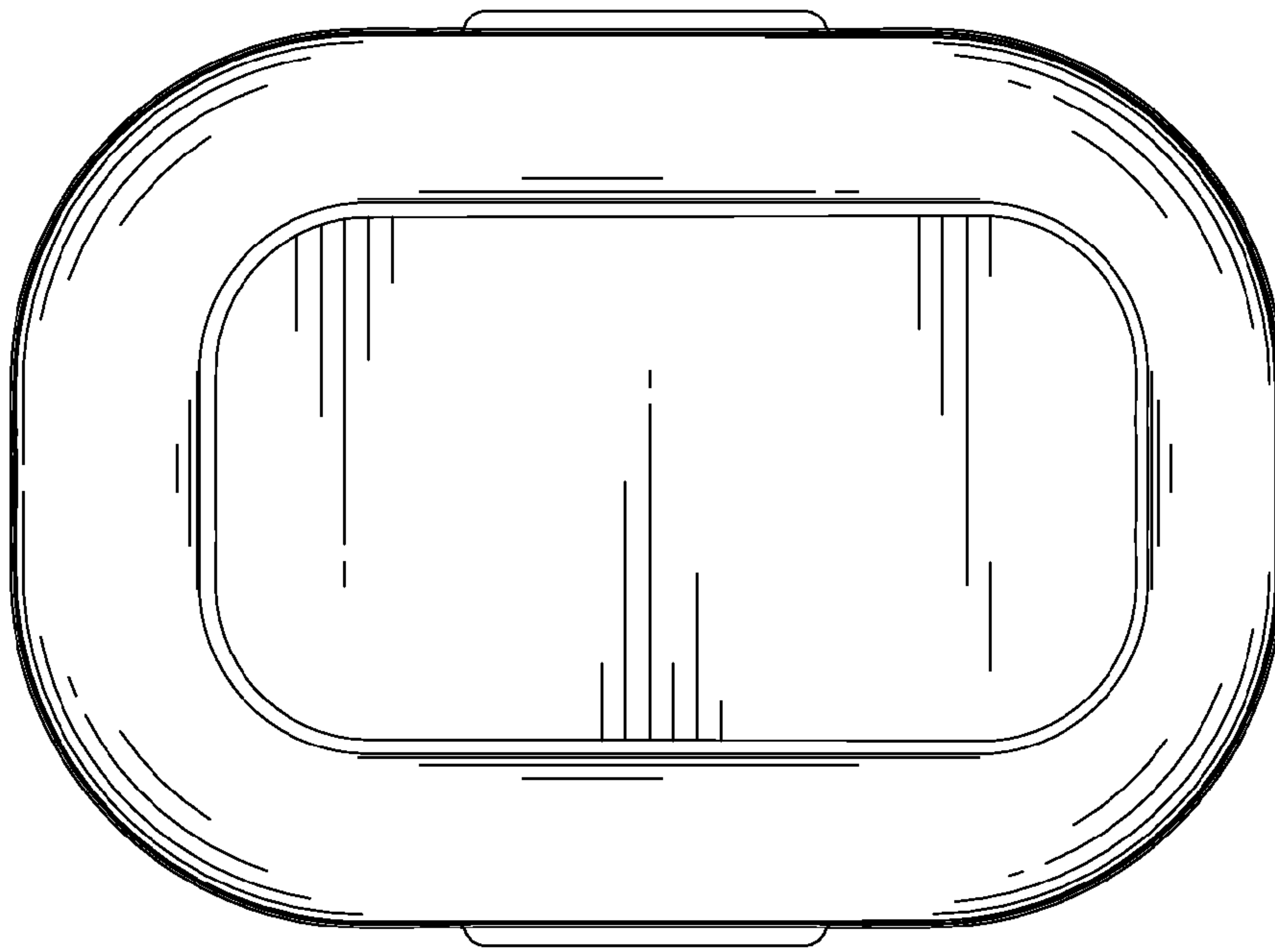


FIG. 6

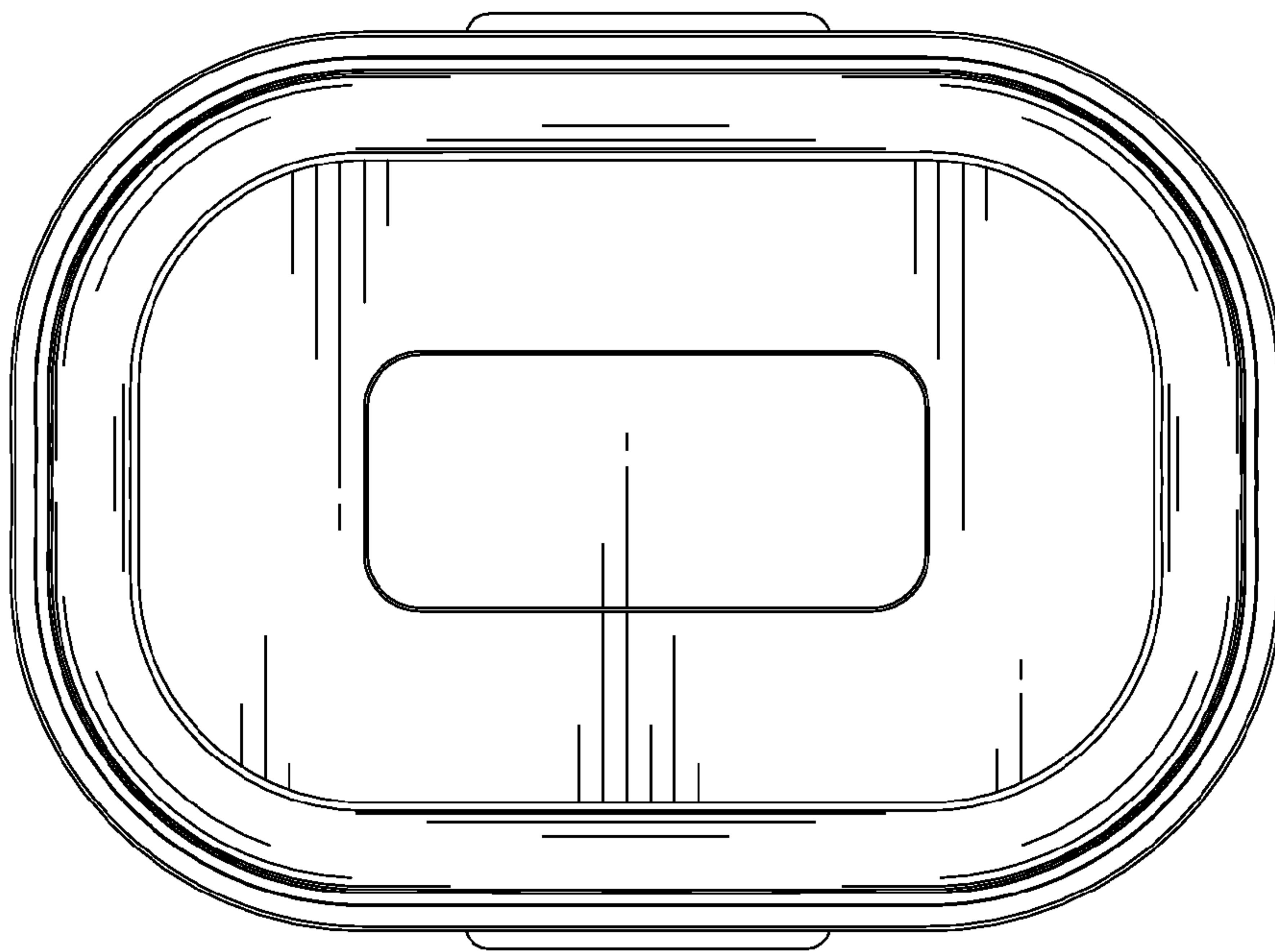


FIG. 7

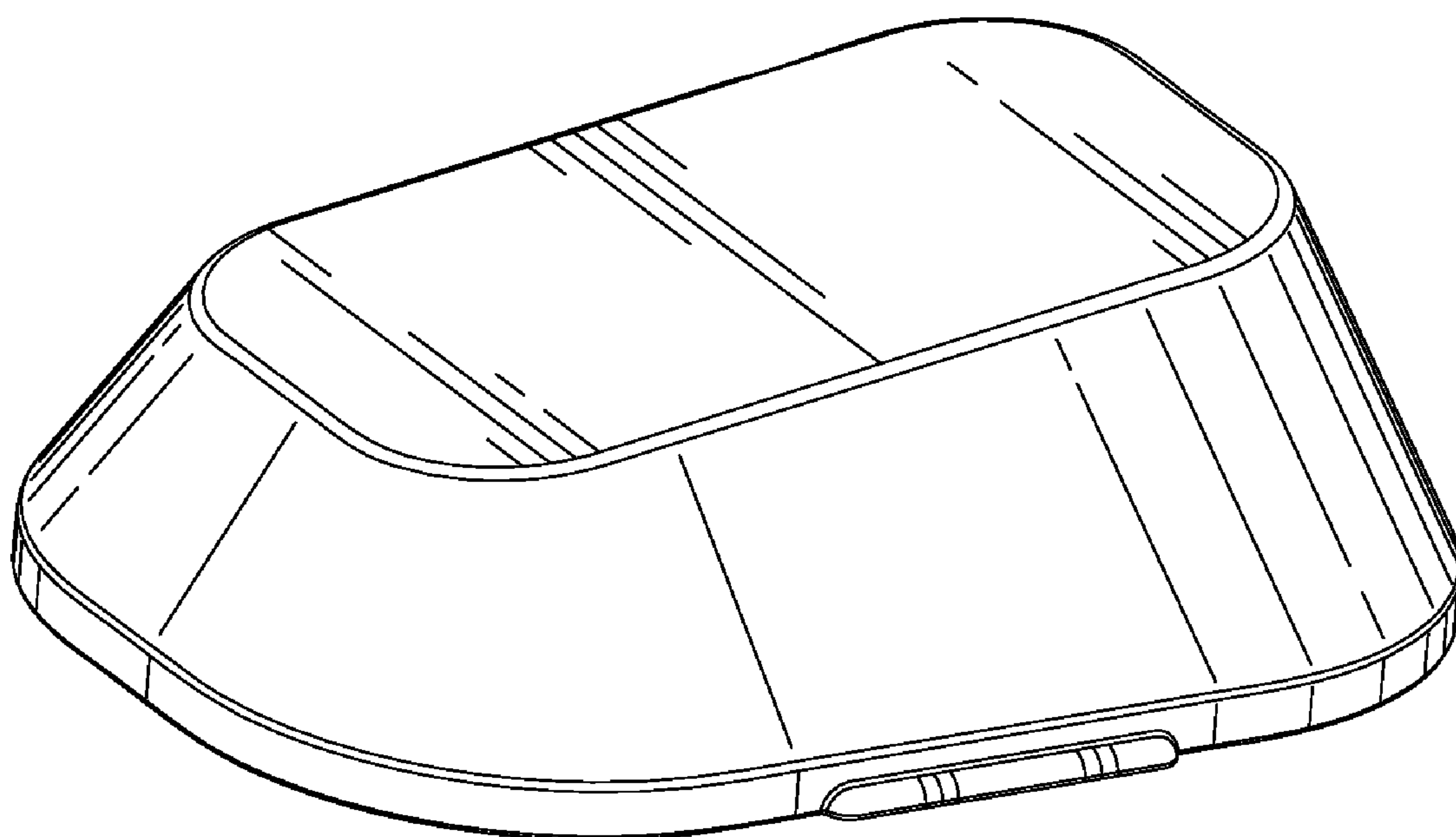


FIG. 8

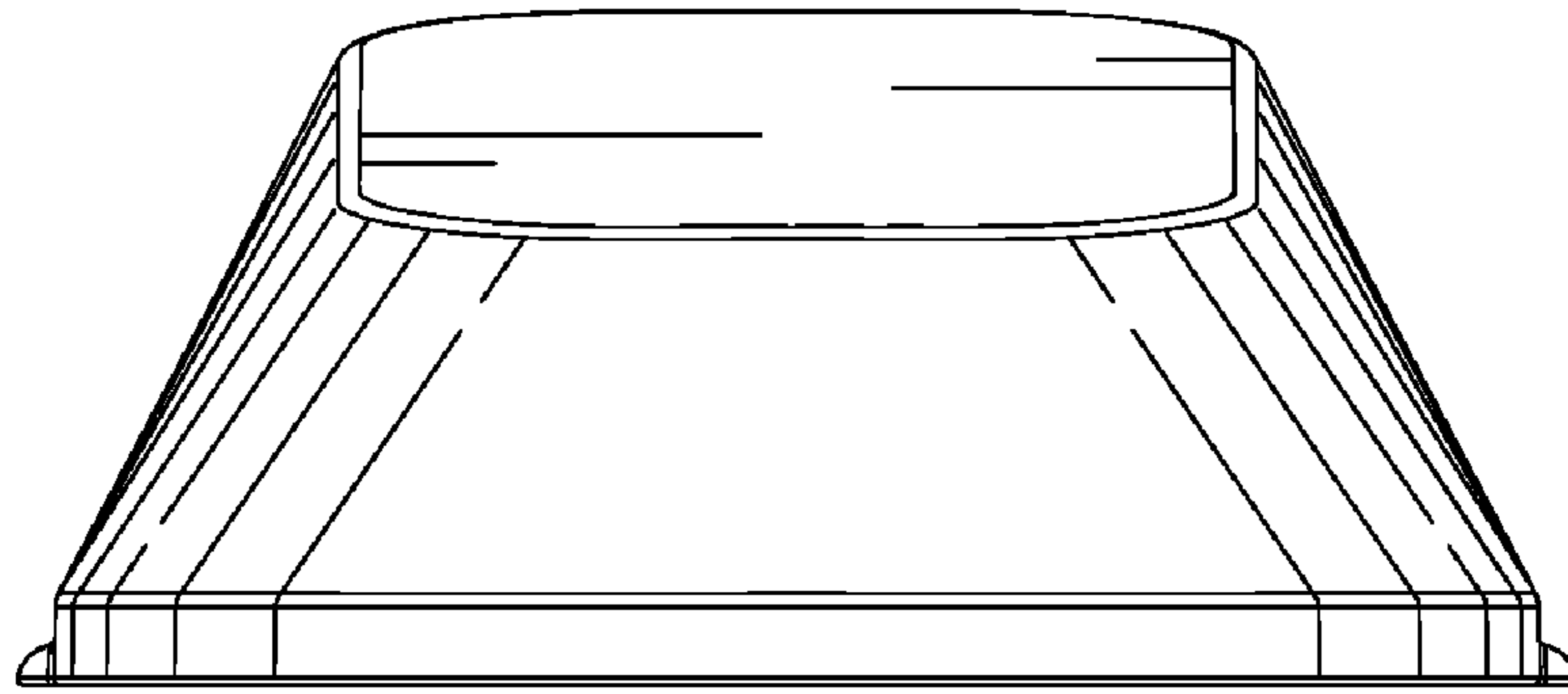


FIG. 9

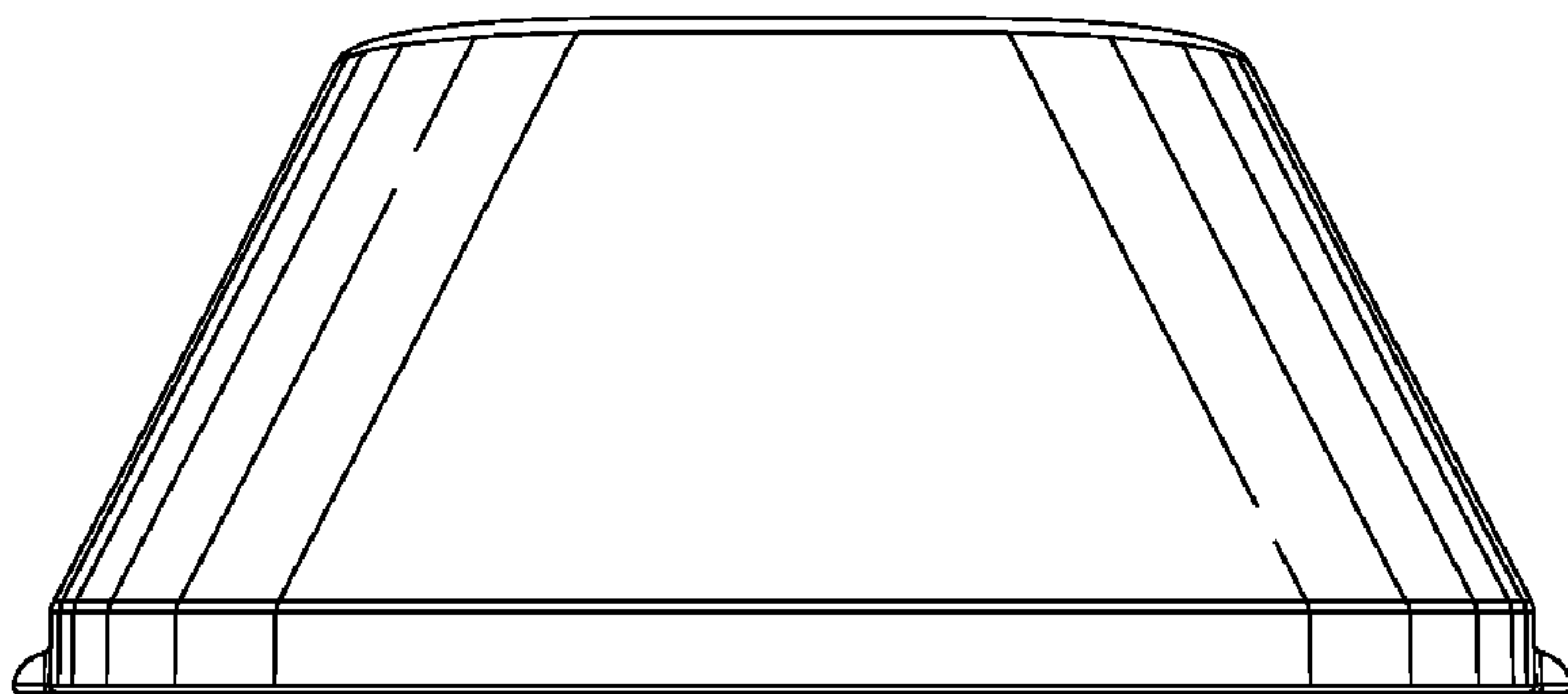


FIG. 10

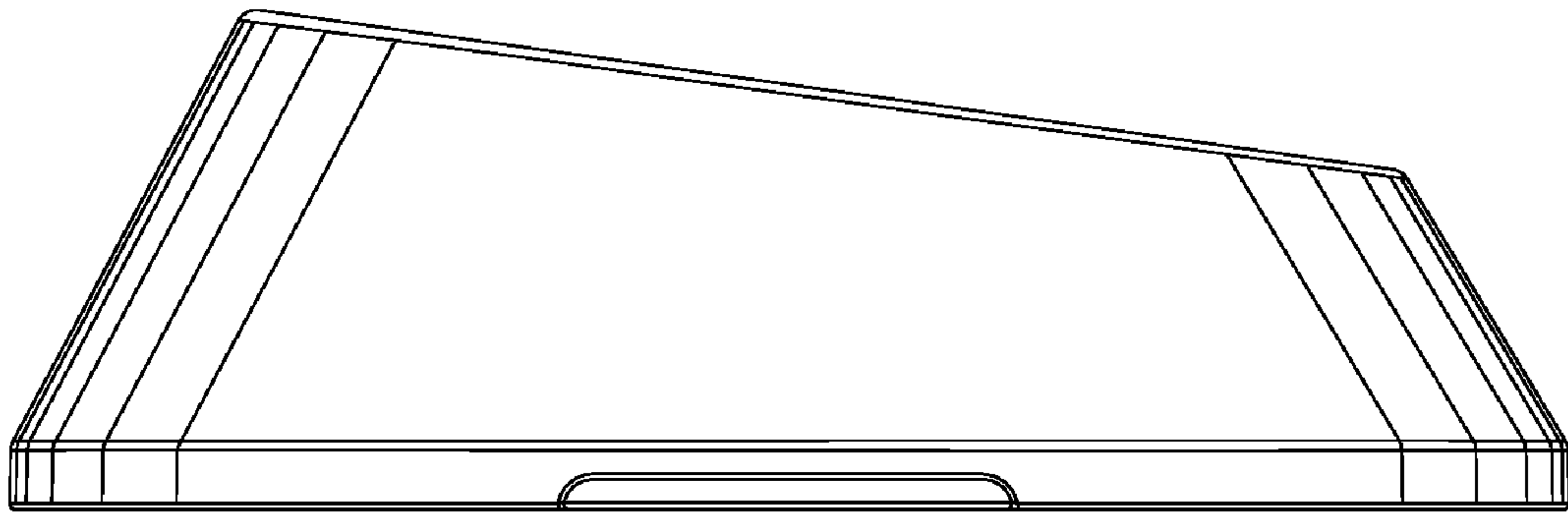


FIG. 11

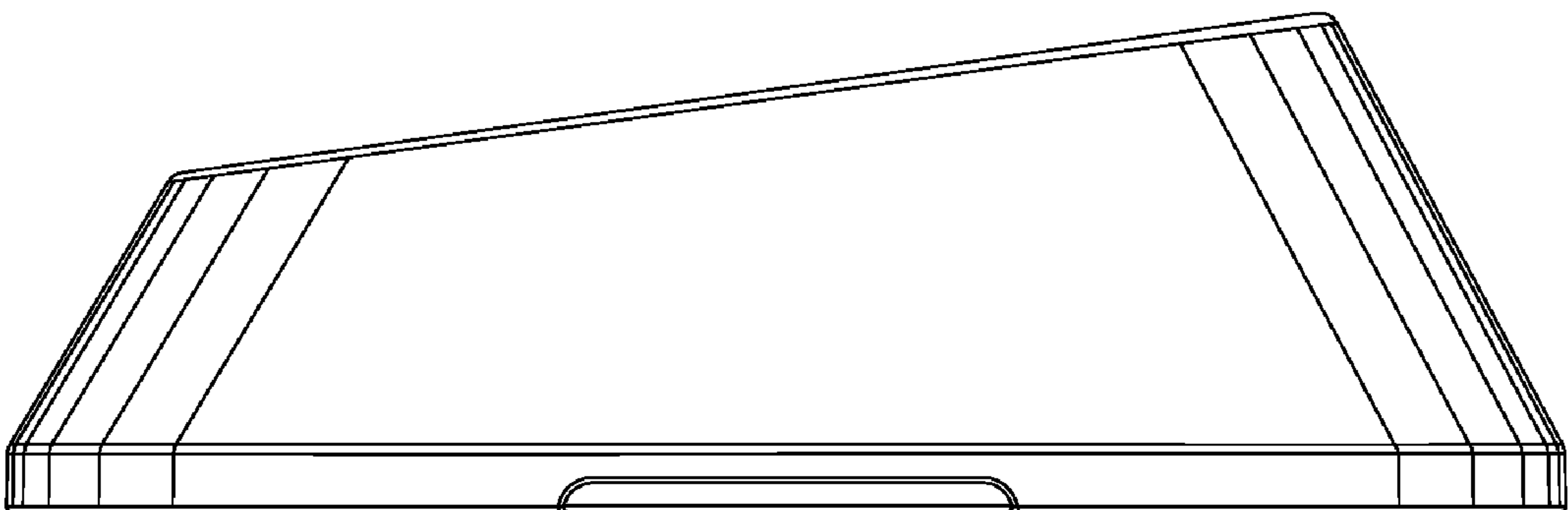


FIG. 12

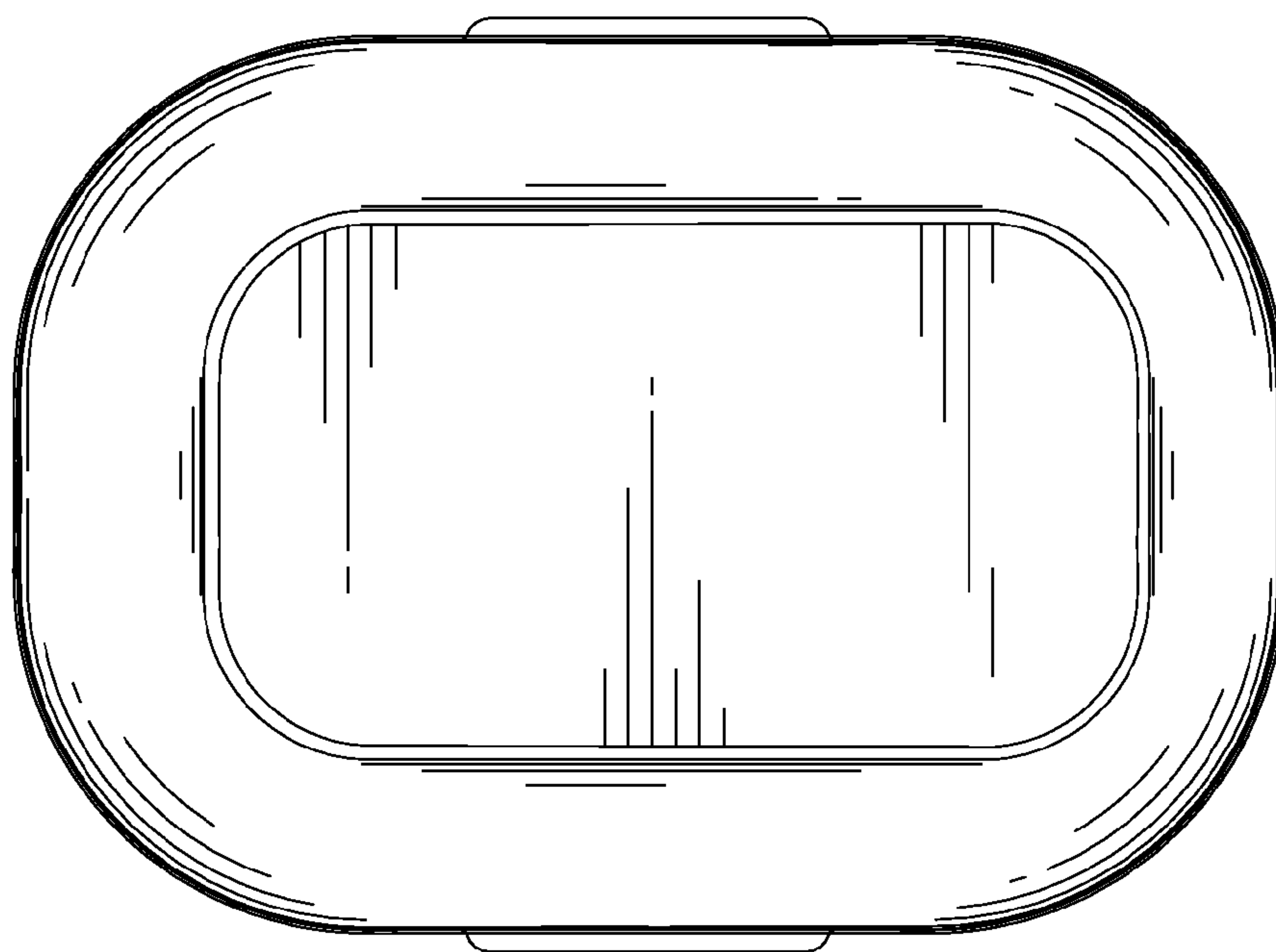


FIG. 13

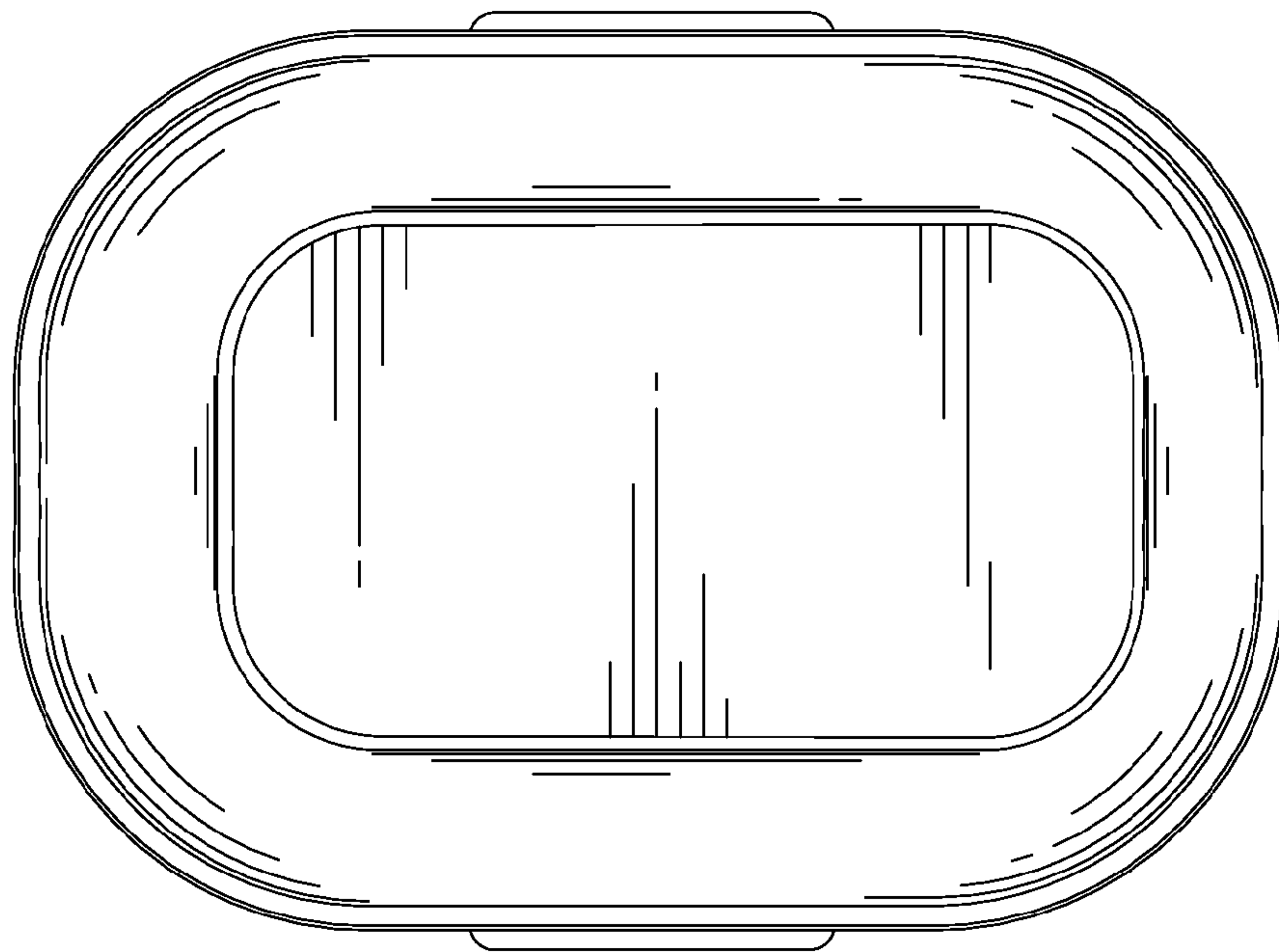


FIG. 14

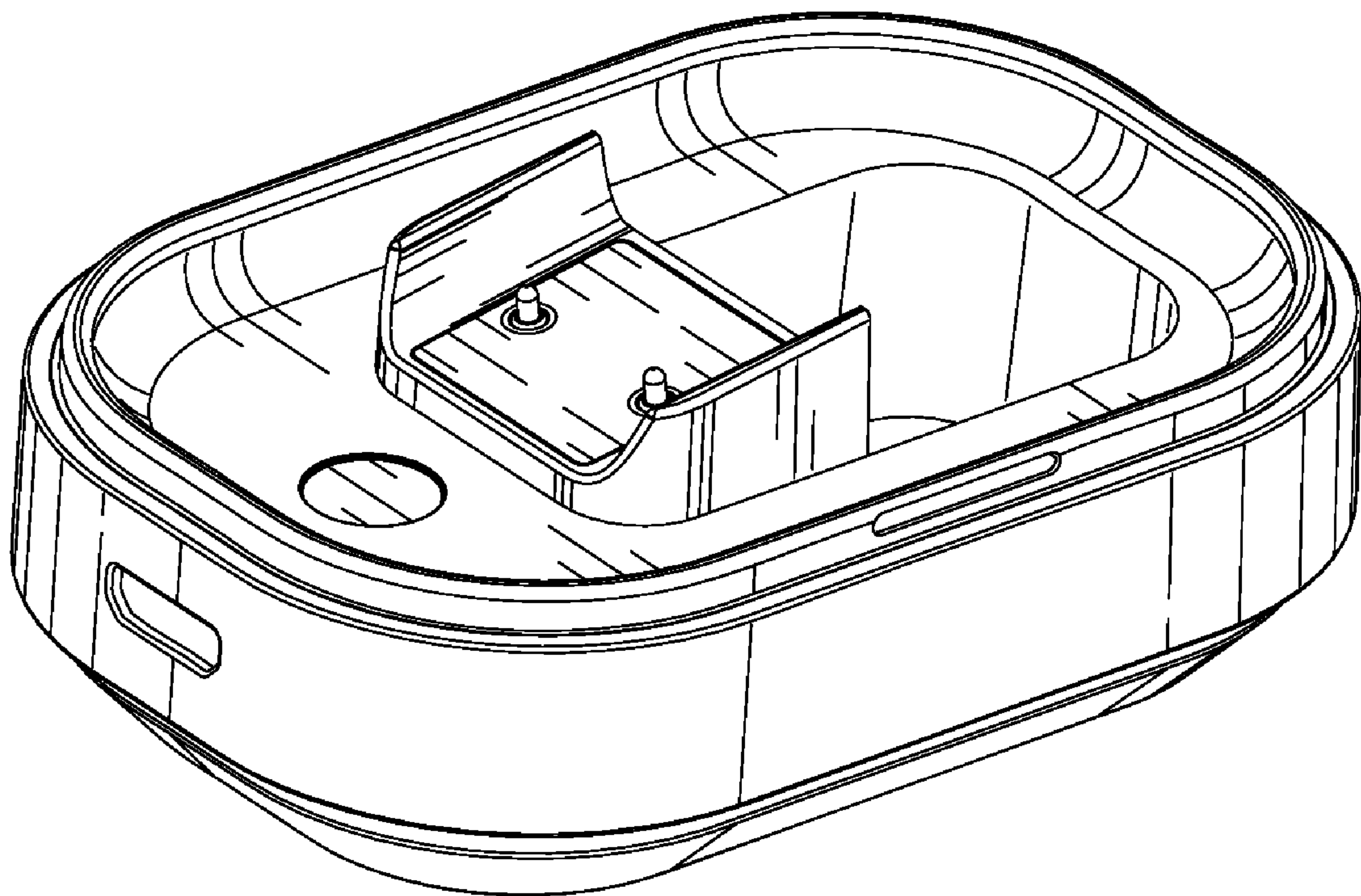


FIG. 15

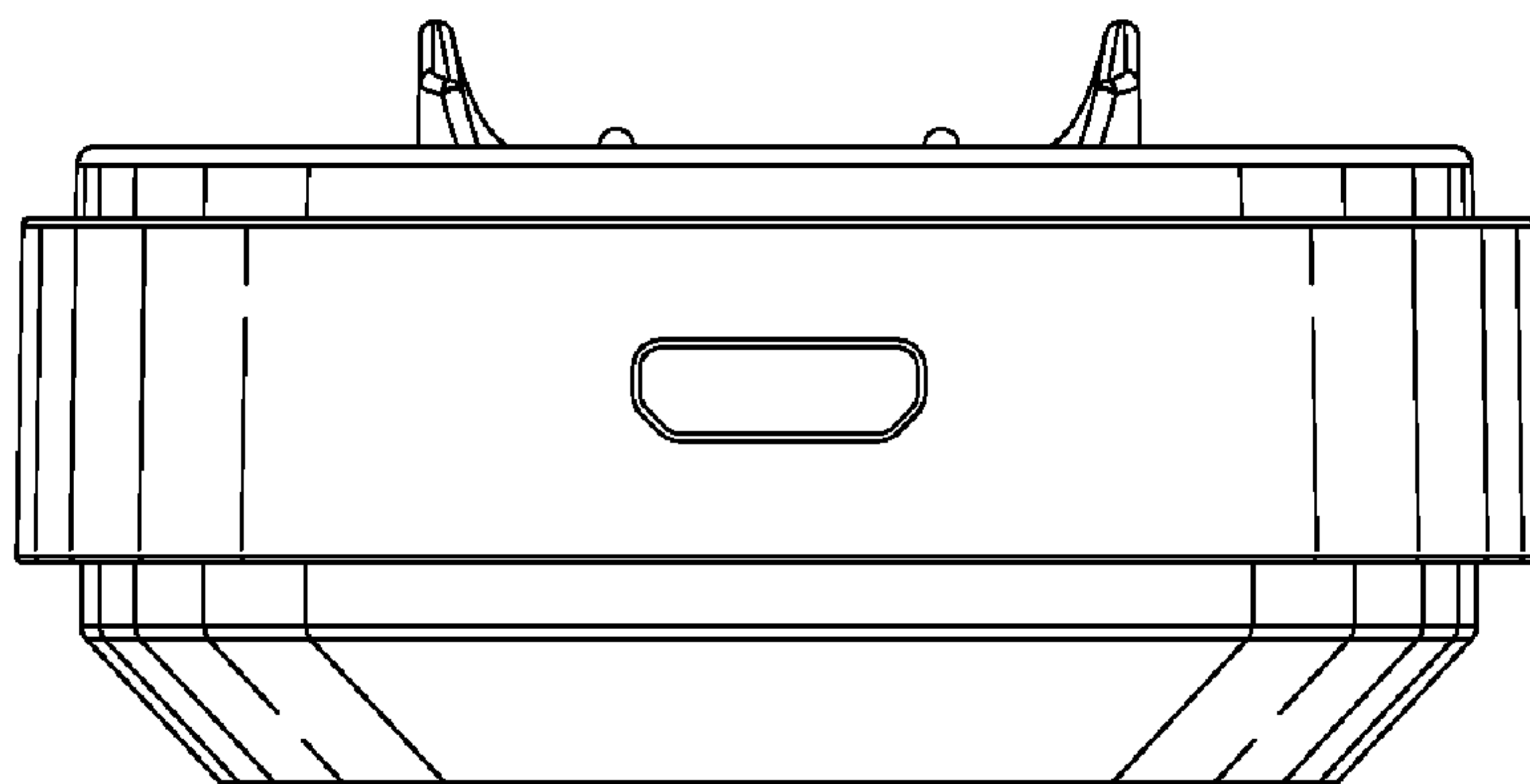


FIG. 16

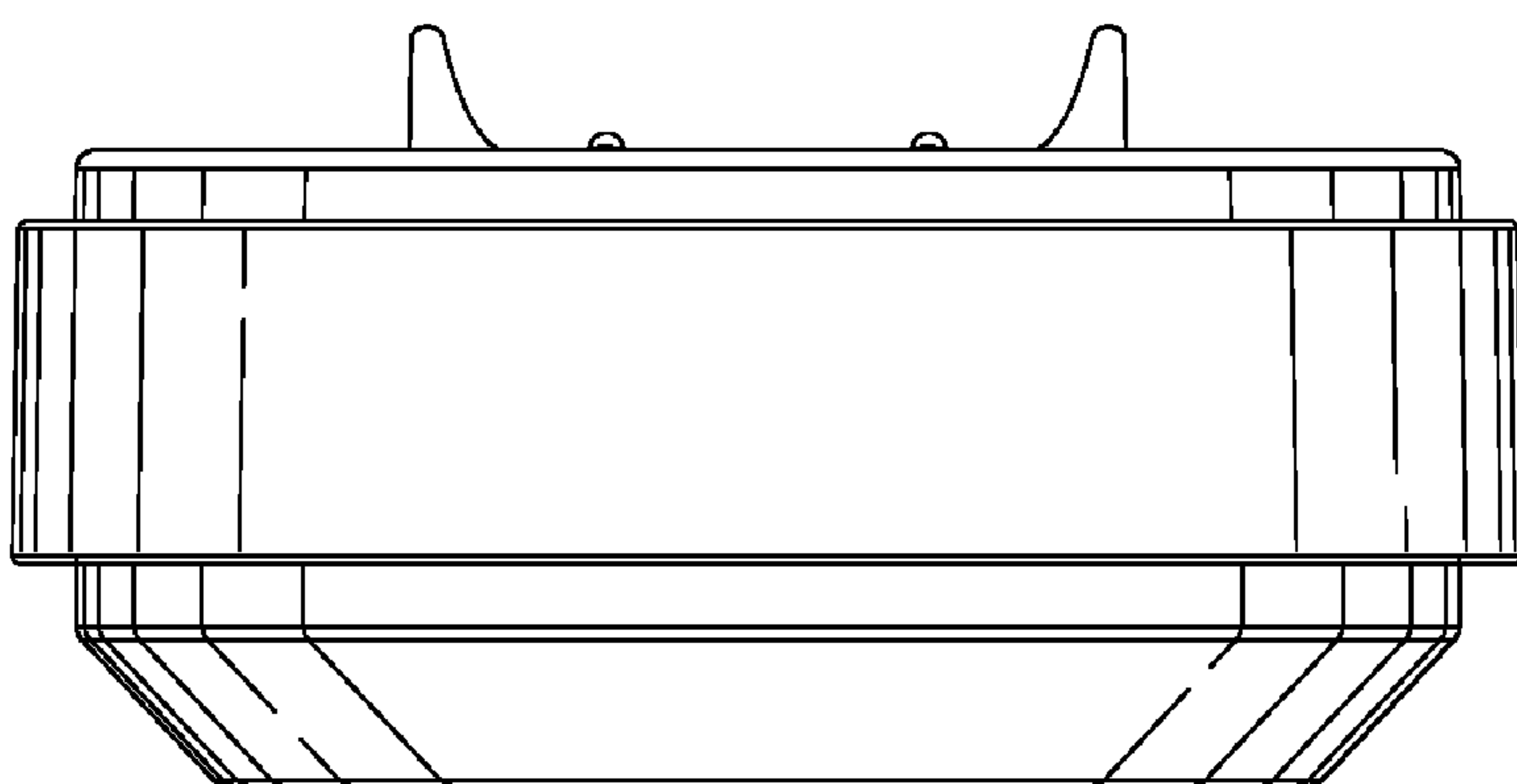


FIG. 17

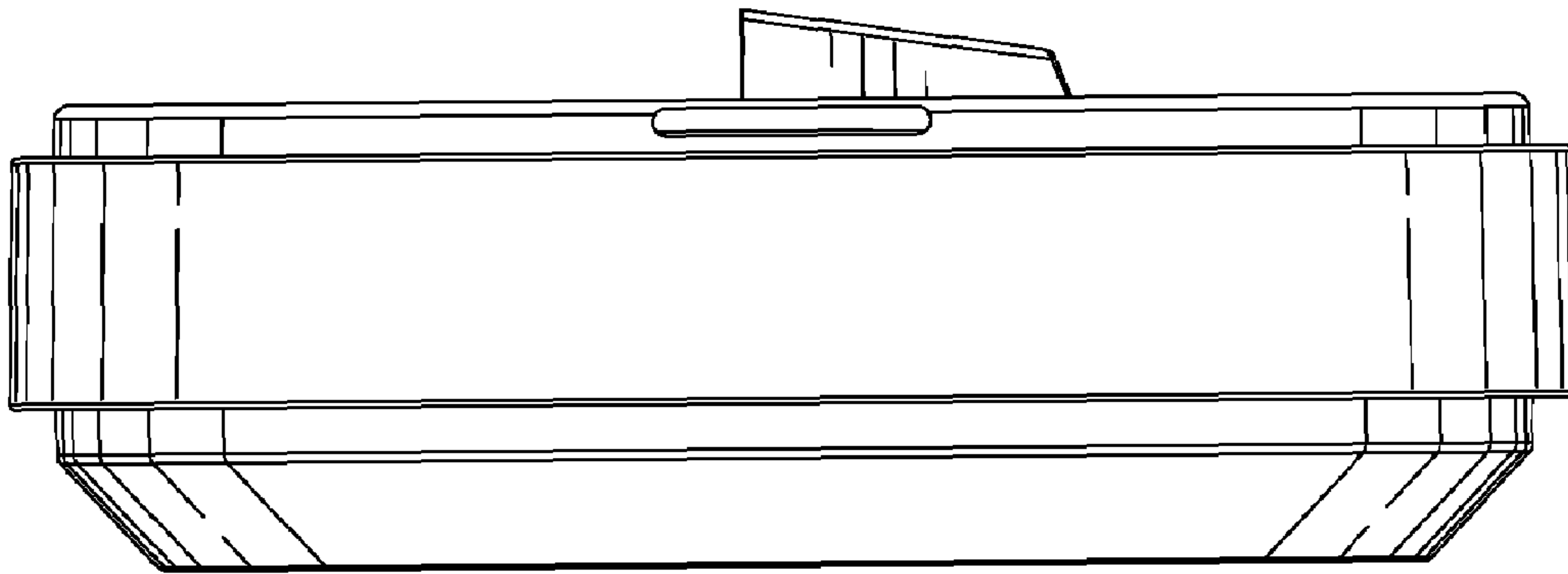


FIG. 18

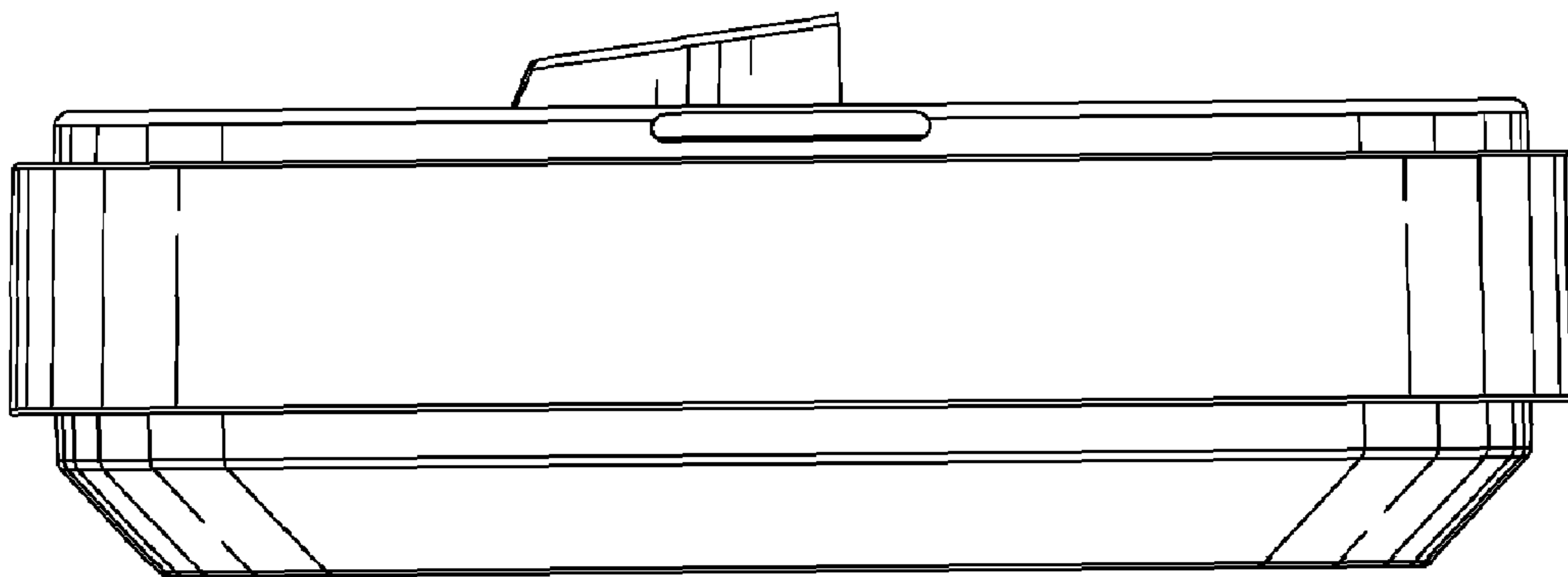


FIG. 19

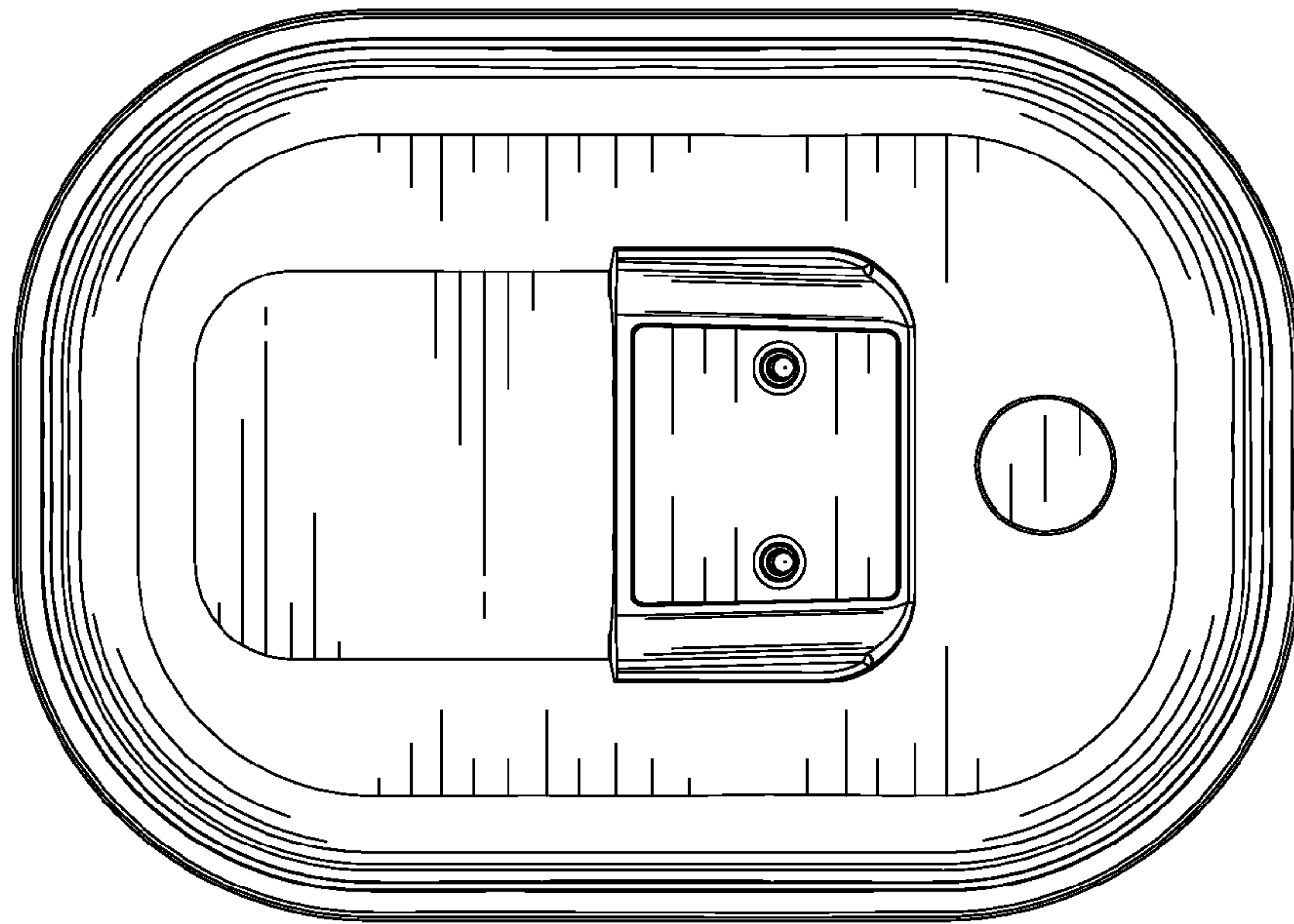


FIG. 20

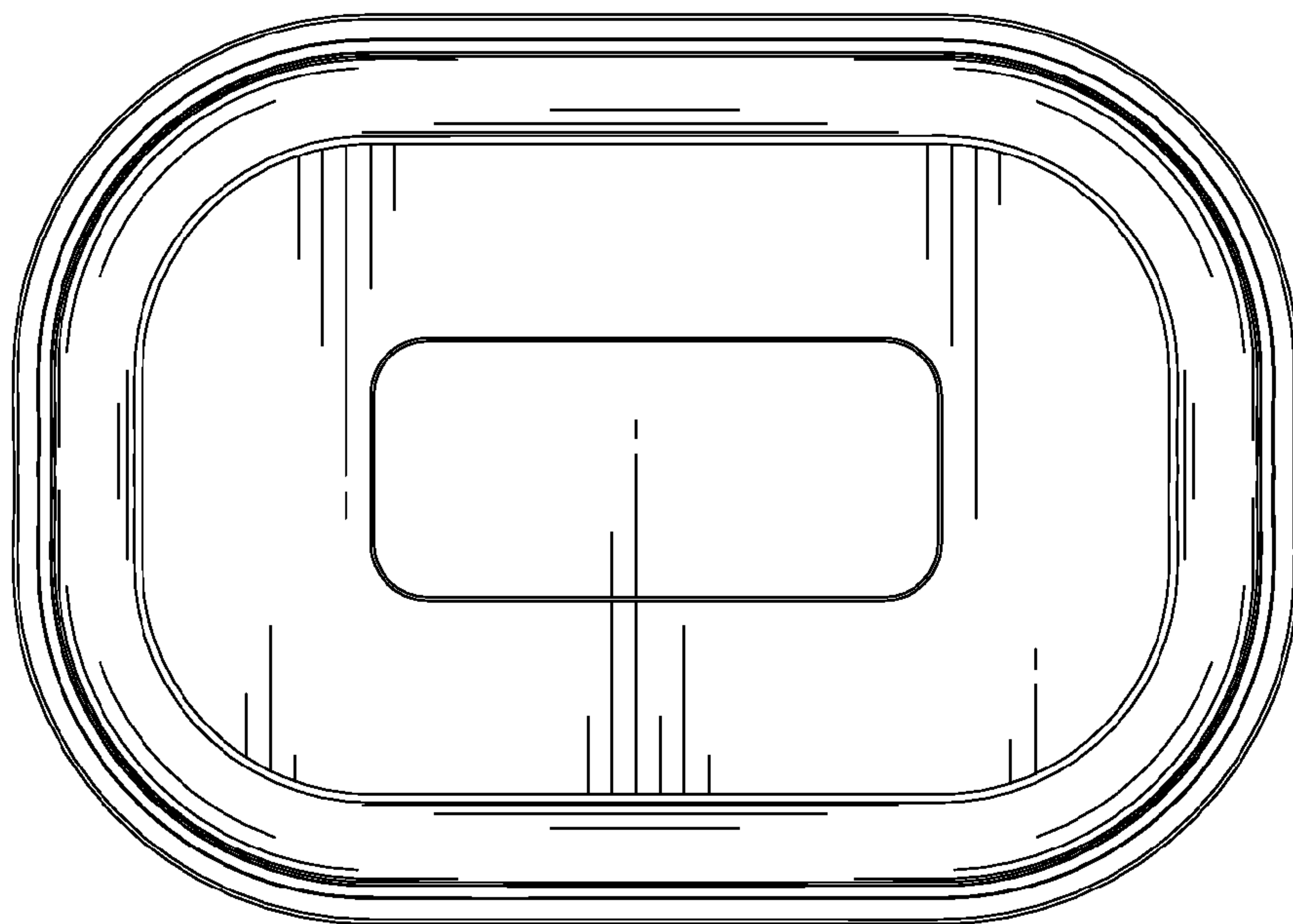


FIG. 21

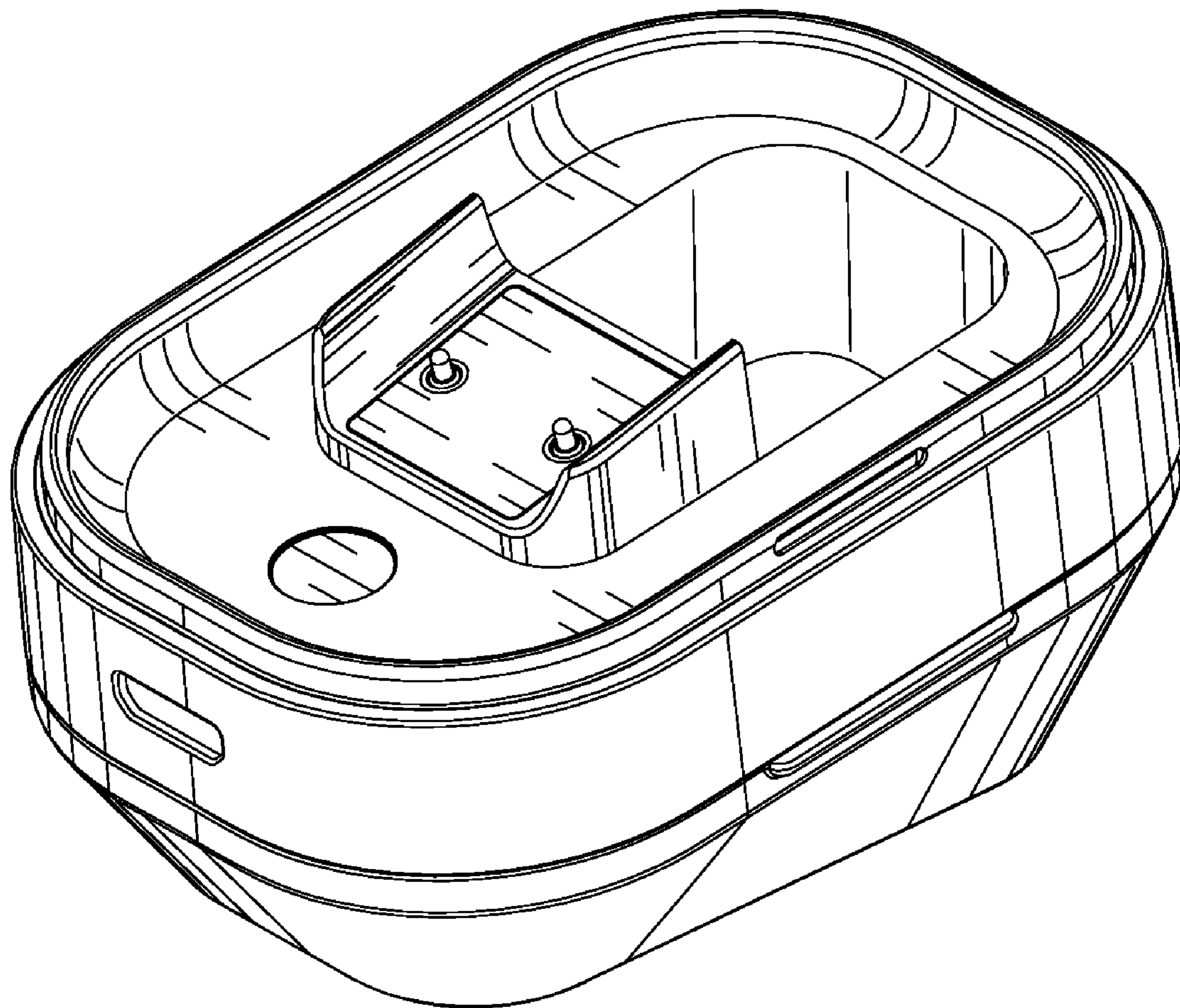


FIG. 22

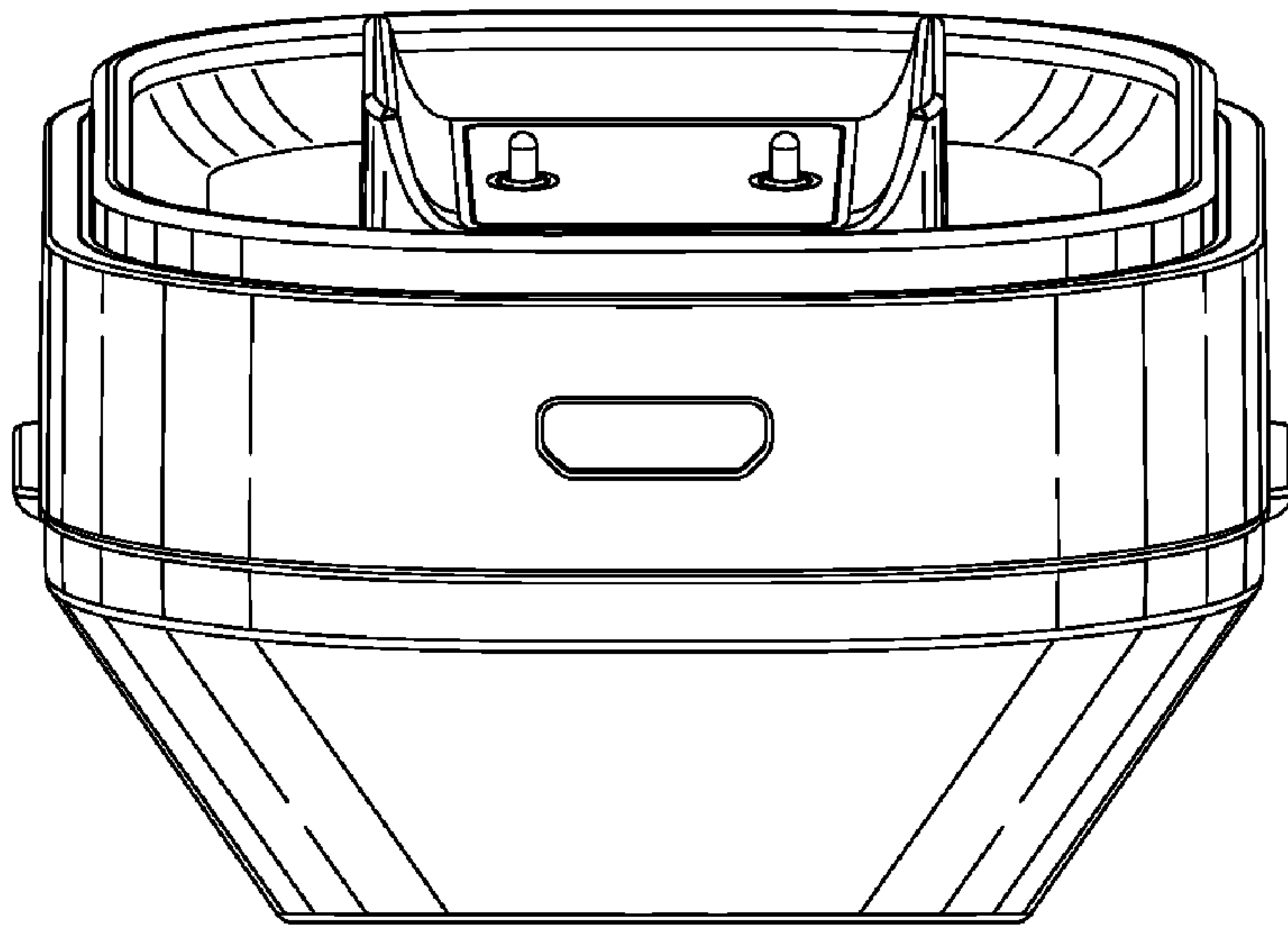


FIG. 23

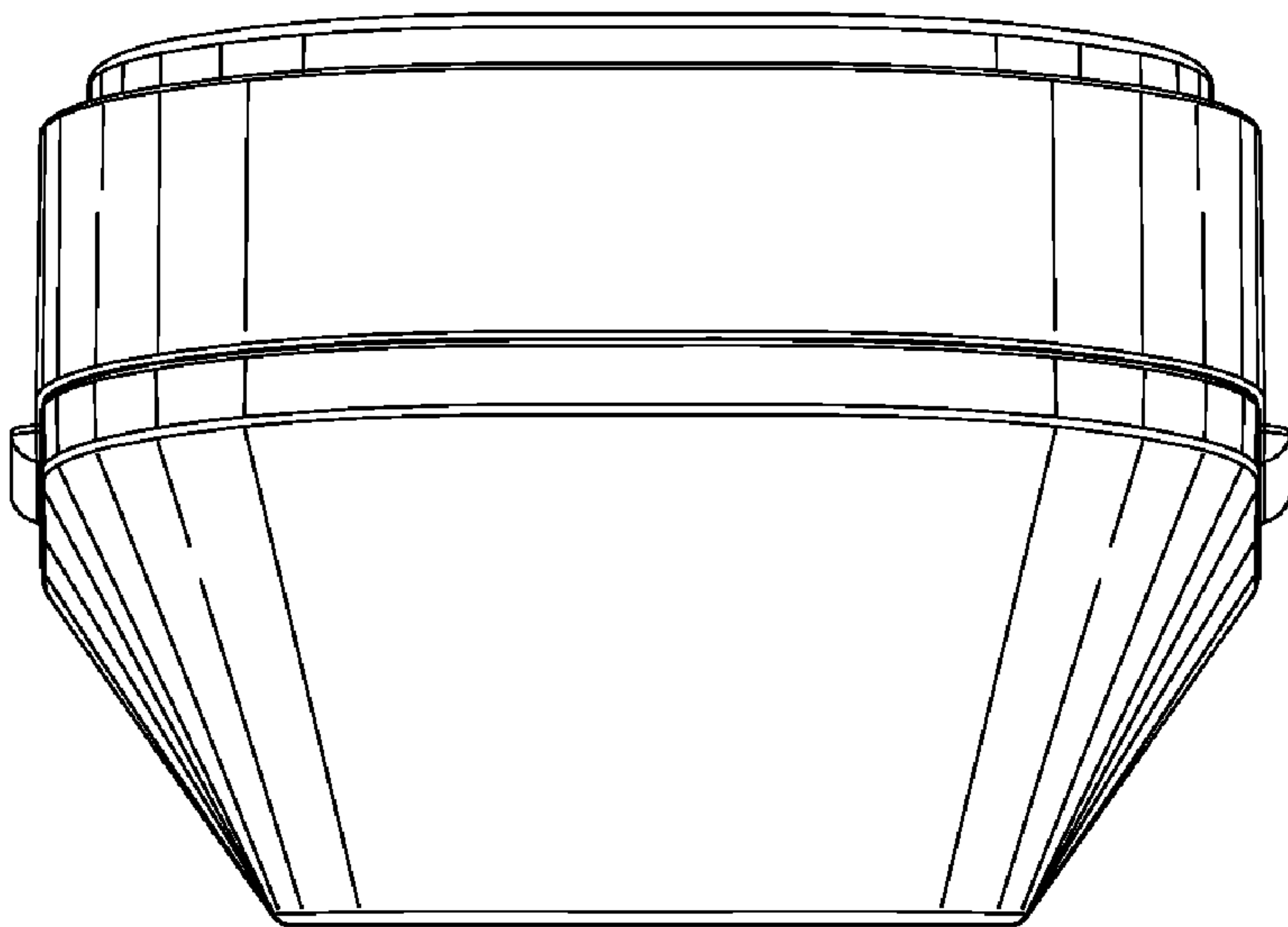


FIG. 24

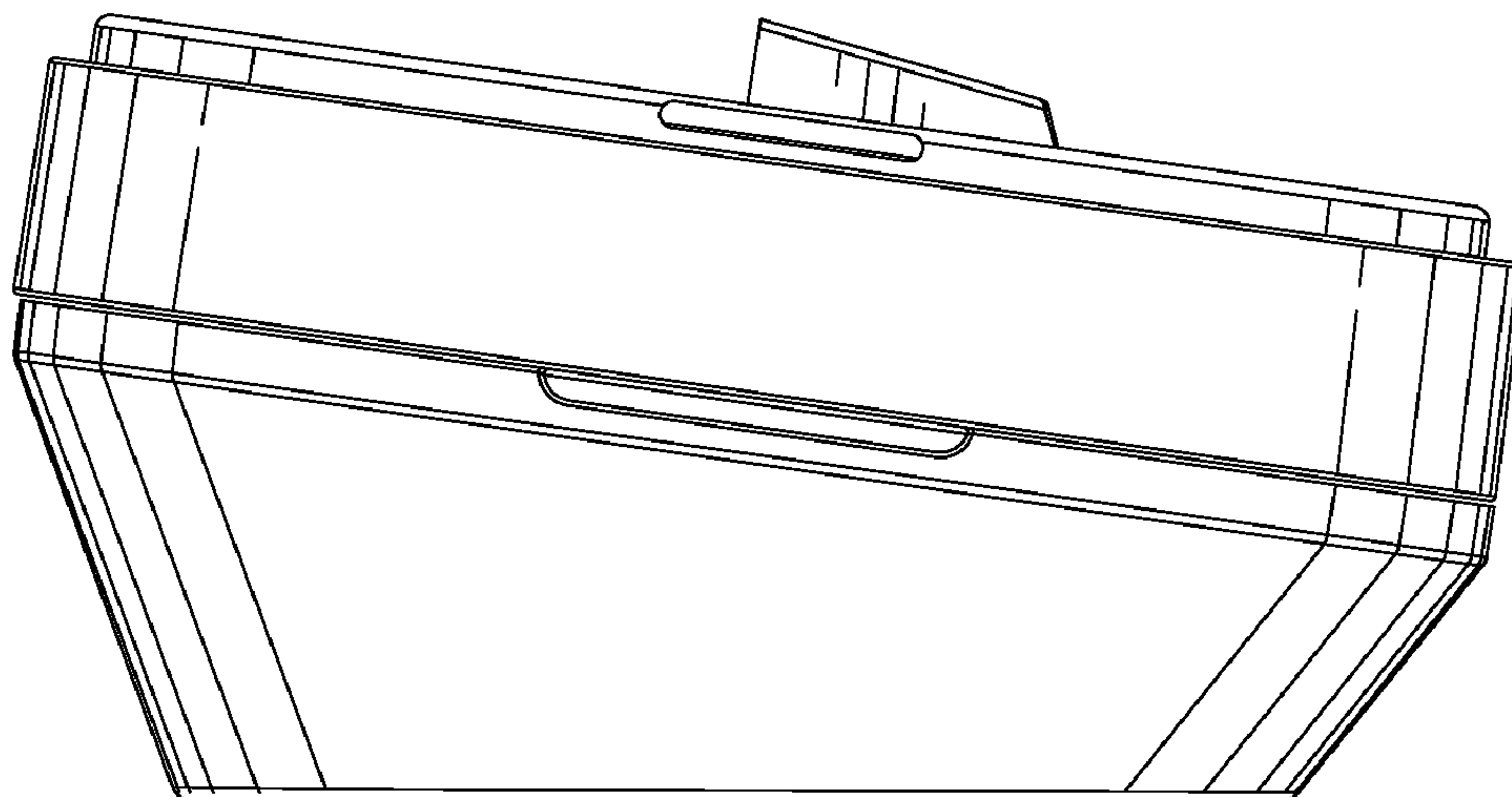


FIG. 25

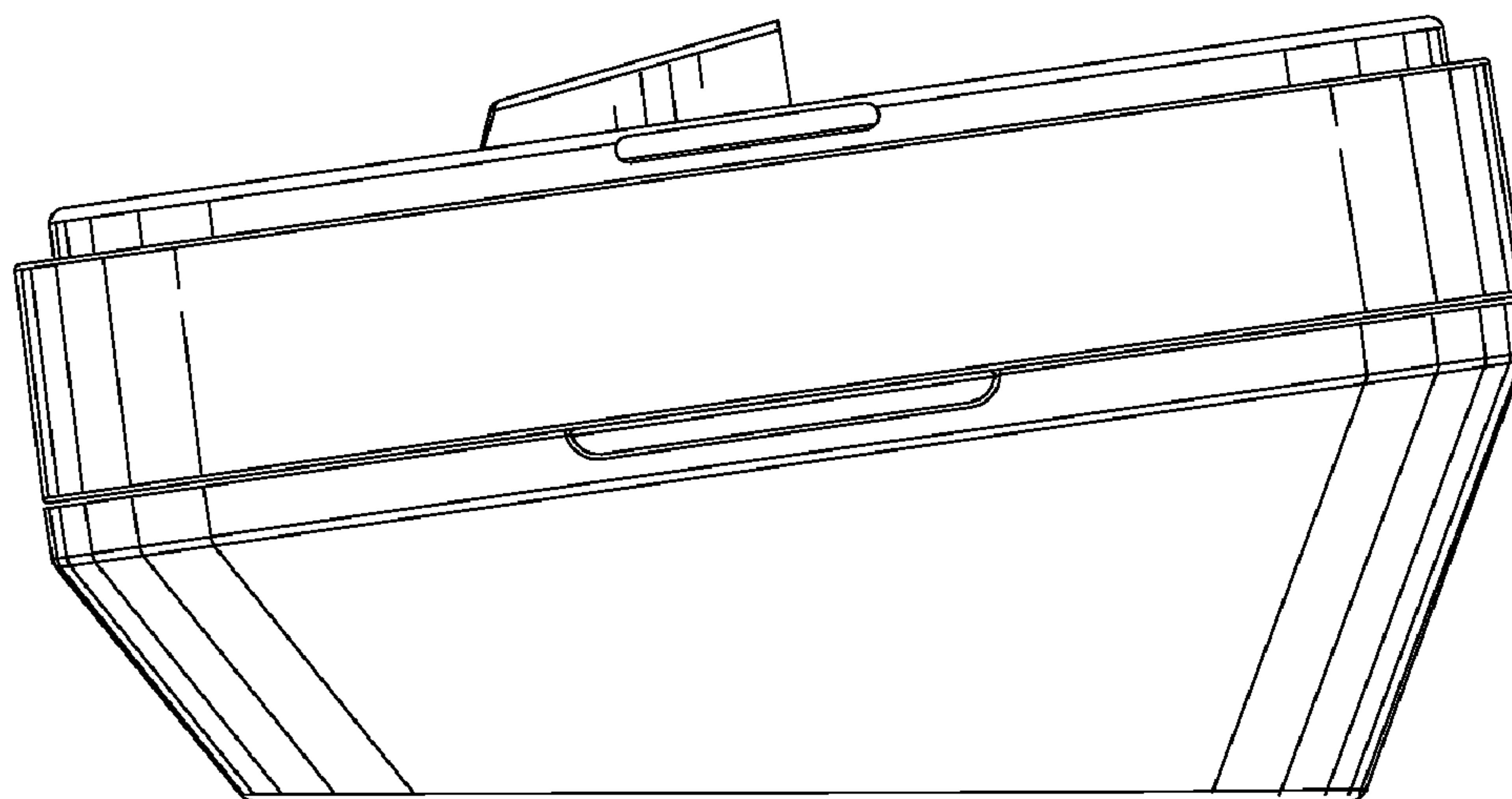


FIG. 26

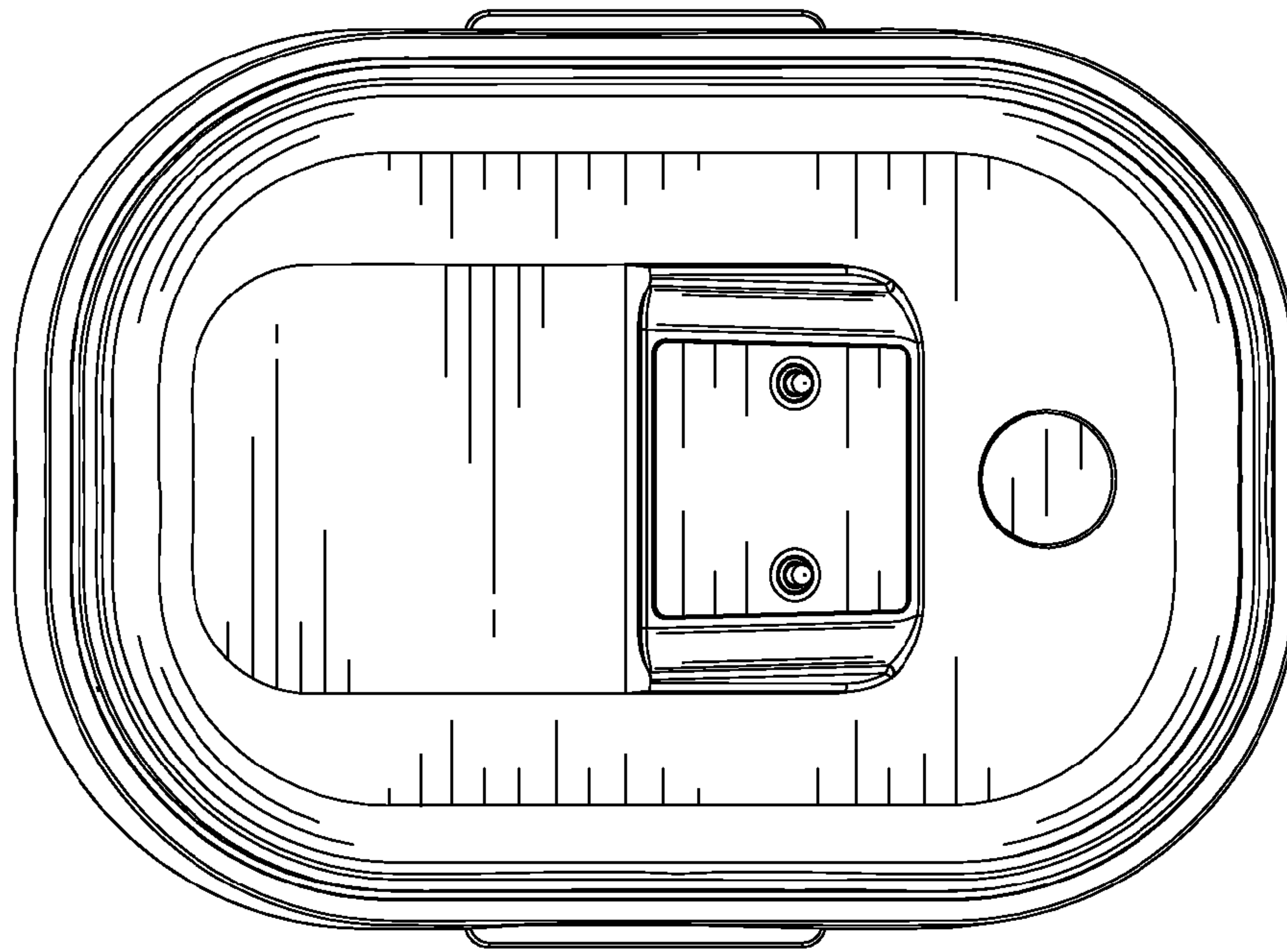


FIG. 27

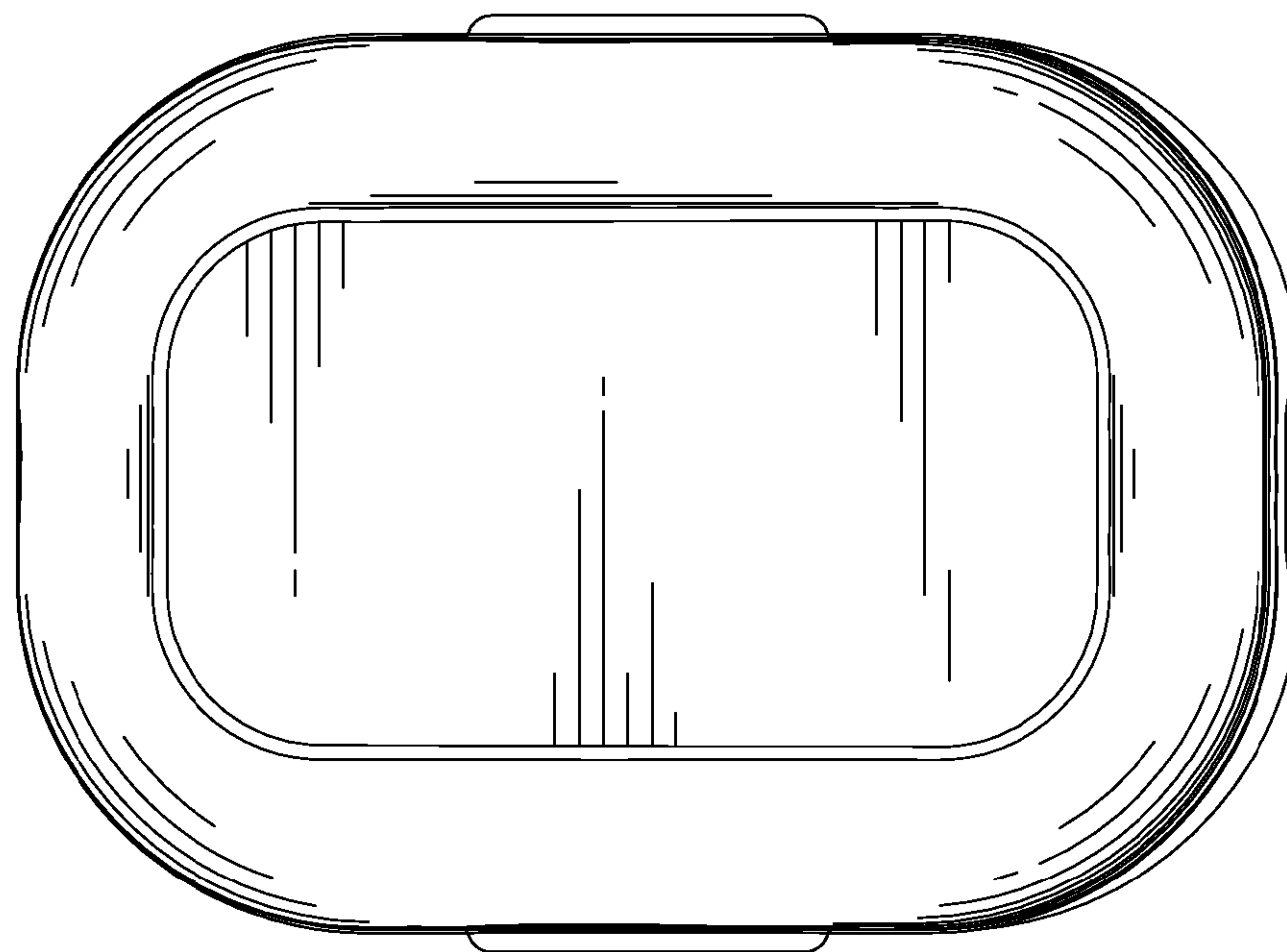


FIG. 28