

US00D563867S

(12) **United States Design Patent**
Ahlgren

(10) **Patent No.:** **US D563,867 S**

(45) **Date of Patent:** **** Mar. 11, 2008**

(54) **BATTERY CHARGER**

(75) **Inventor:** **Lars-Olov Ahlgren, Fellingsbro (SE)**

(73) **Assignee:** **KONE Cargotec Patenter HB, Ljungby (SE)**

(**) **Term:** **14 Years**

(21) **Appl. No.:** **29/234,574**

(22) **Filed:** **Jul. 20, 2005**

(30) **Foreign Application Priority Data**

Jan. 21, 2005 (EM) 000285895-0001

(51) **LOC (8) Cl.** **13-02**

(52) **U.S. Cl.** **D13/107**

(58) **Field of Classification Search** D13/107-110,
D13/118-119, 184; D14/251, 253, 432,
D14/434; 320/107-115; 455/573

See application file for complete search history.

(56) **References Cited**

U.S. PATENT DOCUMENTS

D292,912 S *	11/1987	Muller et al.	D13/108
D315,161 S *	3/1991	Watanabe	D14/253
D344,709 S *	3/1994	Cooper	D13/110
D354,961 S *	1/1995	Richards et al.	D14/253
D362,004 S *	9/1995	Nakano et al.	D14/253
D369,797 S *	5/1996	Hillier et al.	D14/149
D428,387 S *	7/2000	Malloy et al.	D13/107
D444,449 S *	7/2001	Yamamoto	D13/107
D445,975 S *	7/2001	Stratford	D32/31

D460,761 S *	7/2002	Croley	D14/434
D472,896 S *	4/2003	Peiker	D14/253
D515,029 S *	2/2006	Hattori	D13/108
D520,944 S *	5/2006	Morita	D13/108

* cited by examiner

Primary Examiner—Cathron Brooks

Assistant Examiner—Rosemary K Tarcza

(74) *Attorney, Agent, or Firm*—Dilworth & Barrese LLP

(57) **CLAIM**

The ornamental design for a battery charger, as shown and described.

DESCRIPTION

FIG. 1 is a perspective view from above of the battery charger showing my new design;

FIG. 2 is a front perspective view of the battery charger of FIG. 1;

FIG. 3 is a rear perspective view of the battery charger of FIG. 1;

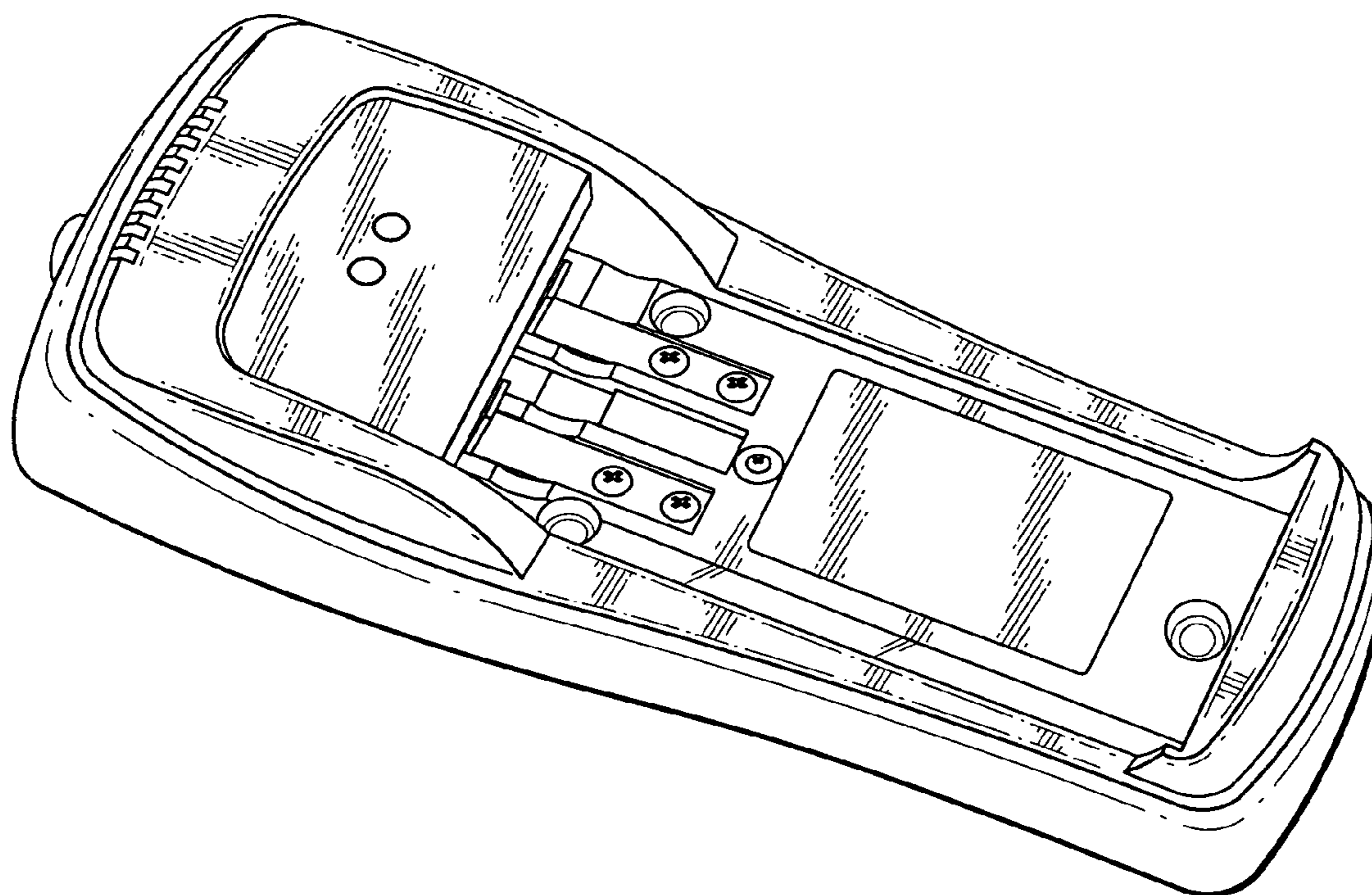
FIG. 4 is a top perspective view of the battery charger of FIG. 1;

FIG. 5 is a bottom plan view of the battery charger of FIG. 1;

FIG. 6 is a left side elevational view of the battery charger of FIG. 1; and,

FIG. 7 is a right side elevational view of the battery charger of FIG. 1.

1 Claim, 7 Drawing Sheets



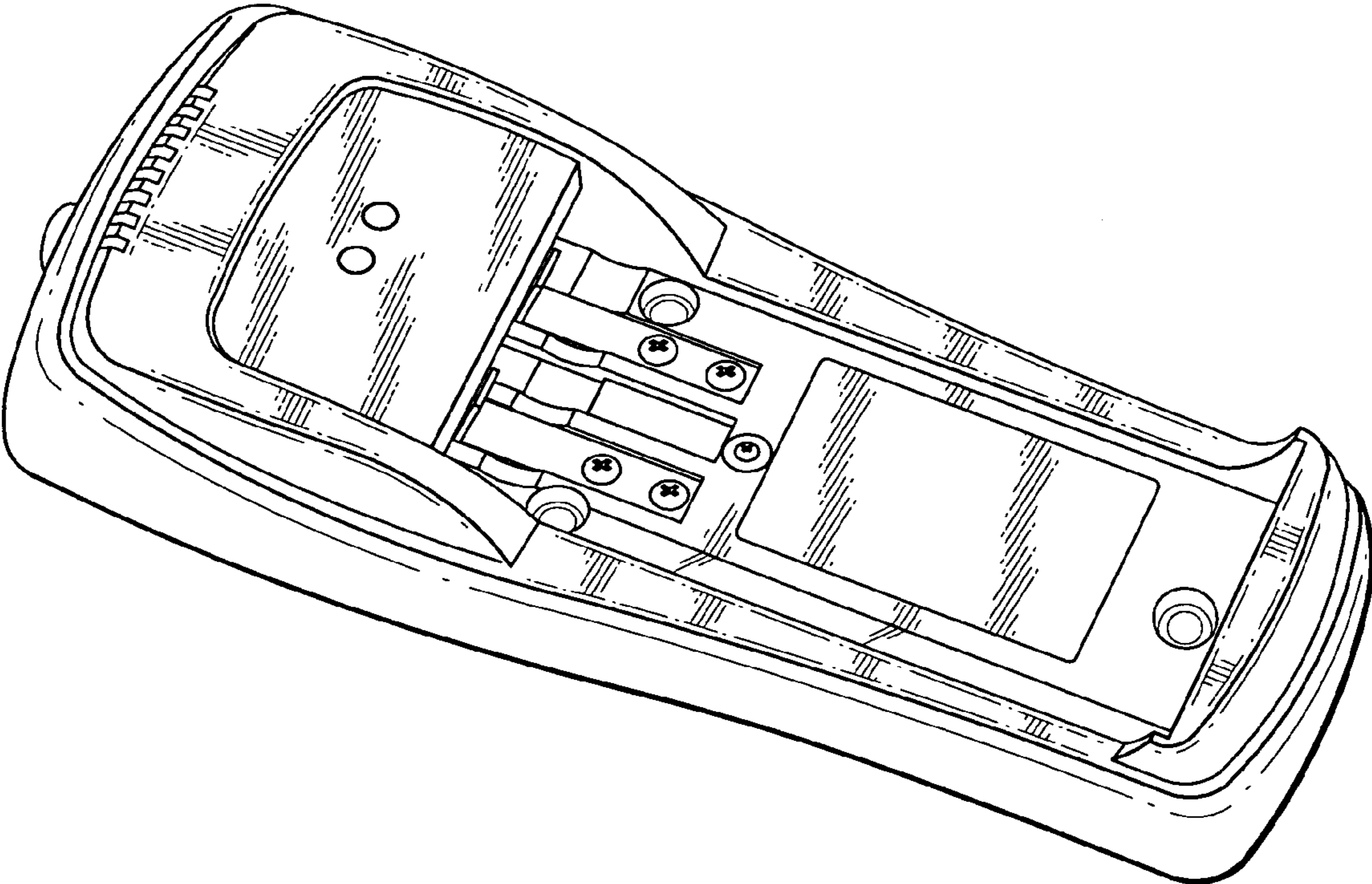


FIG. 1

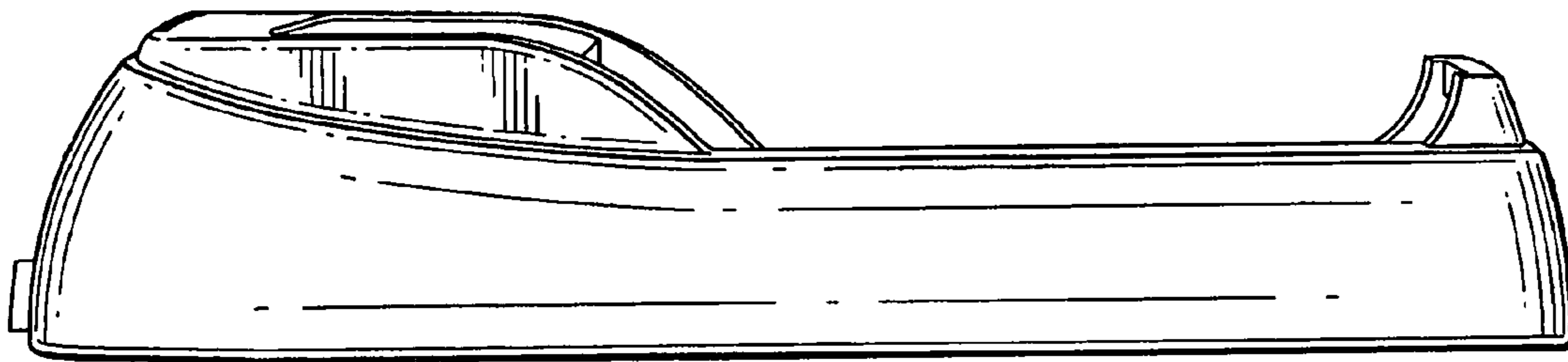


FIG. 2

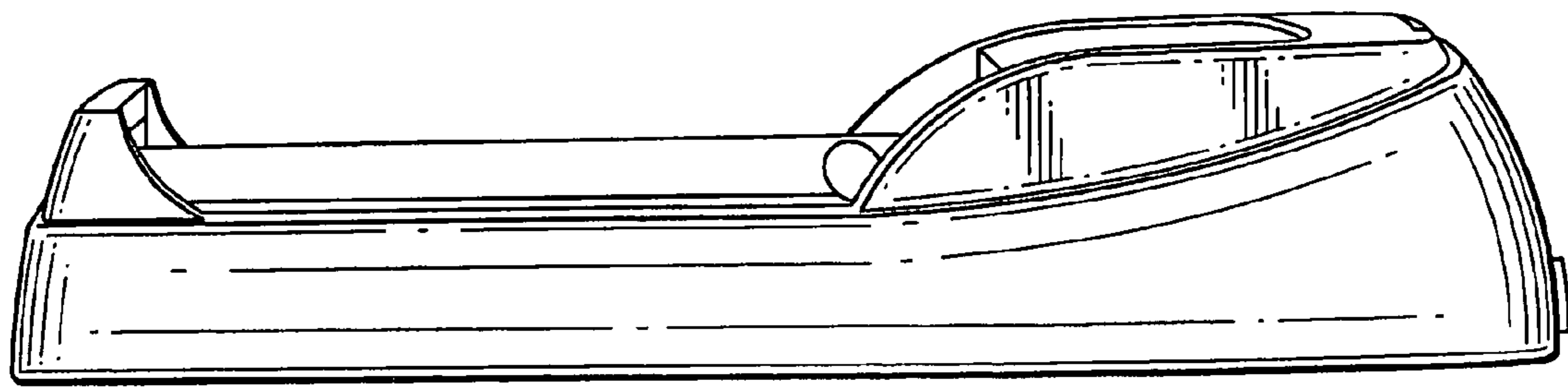


FIG. 3

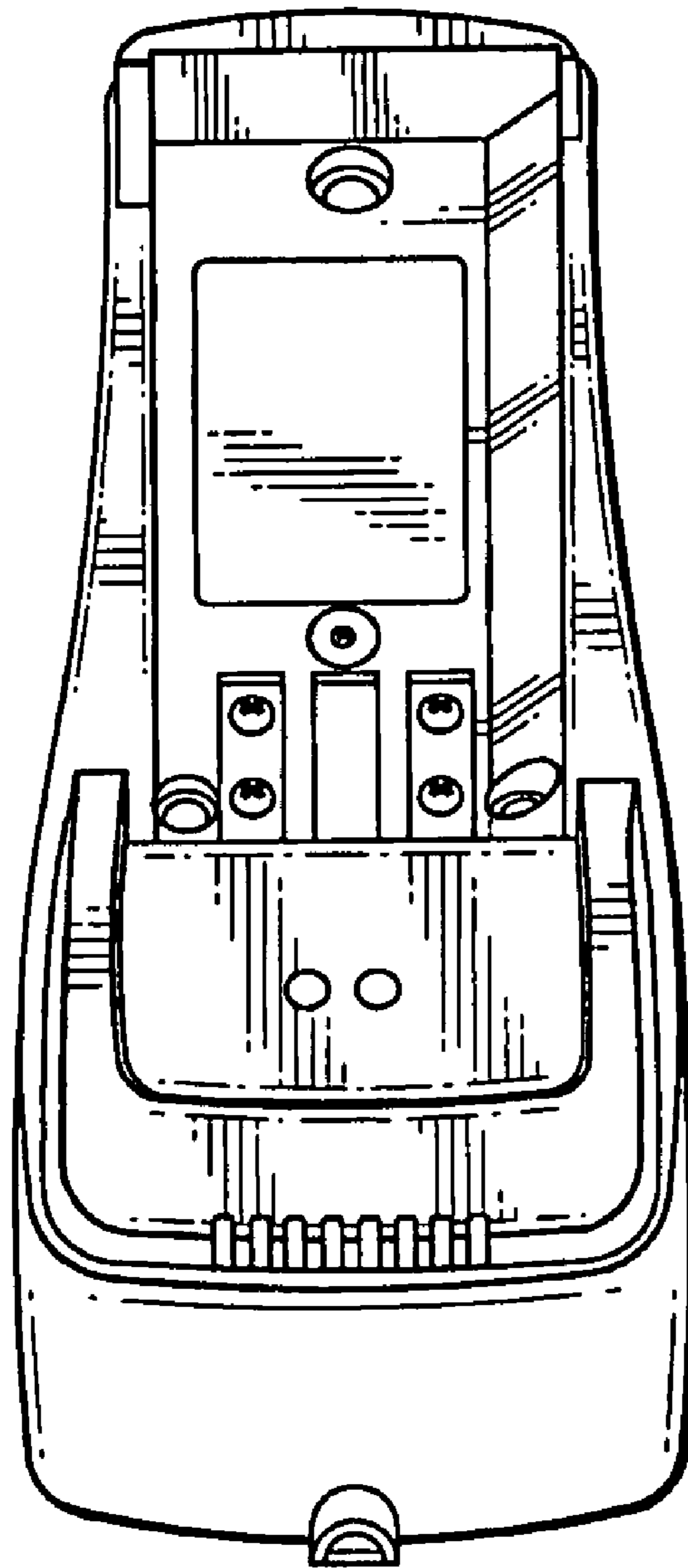


FIG. 4

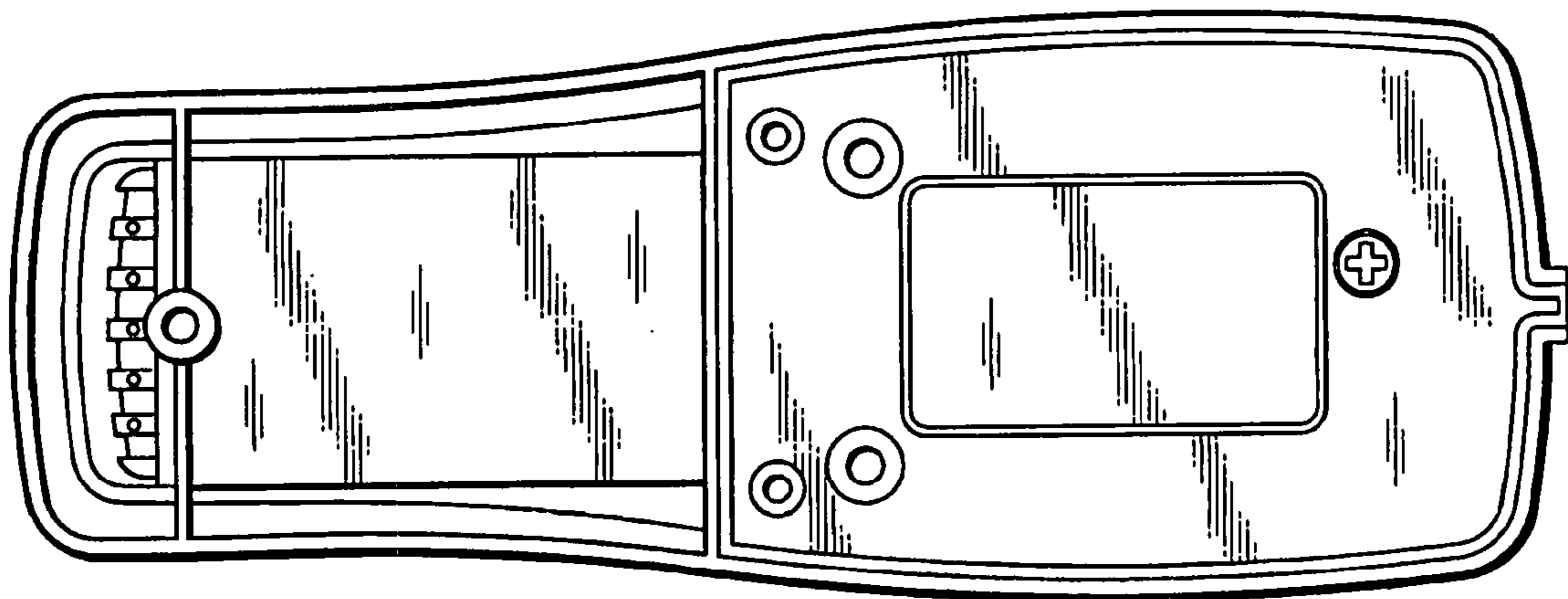


FIG. 5

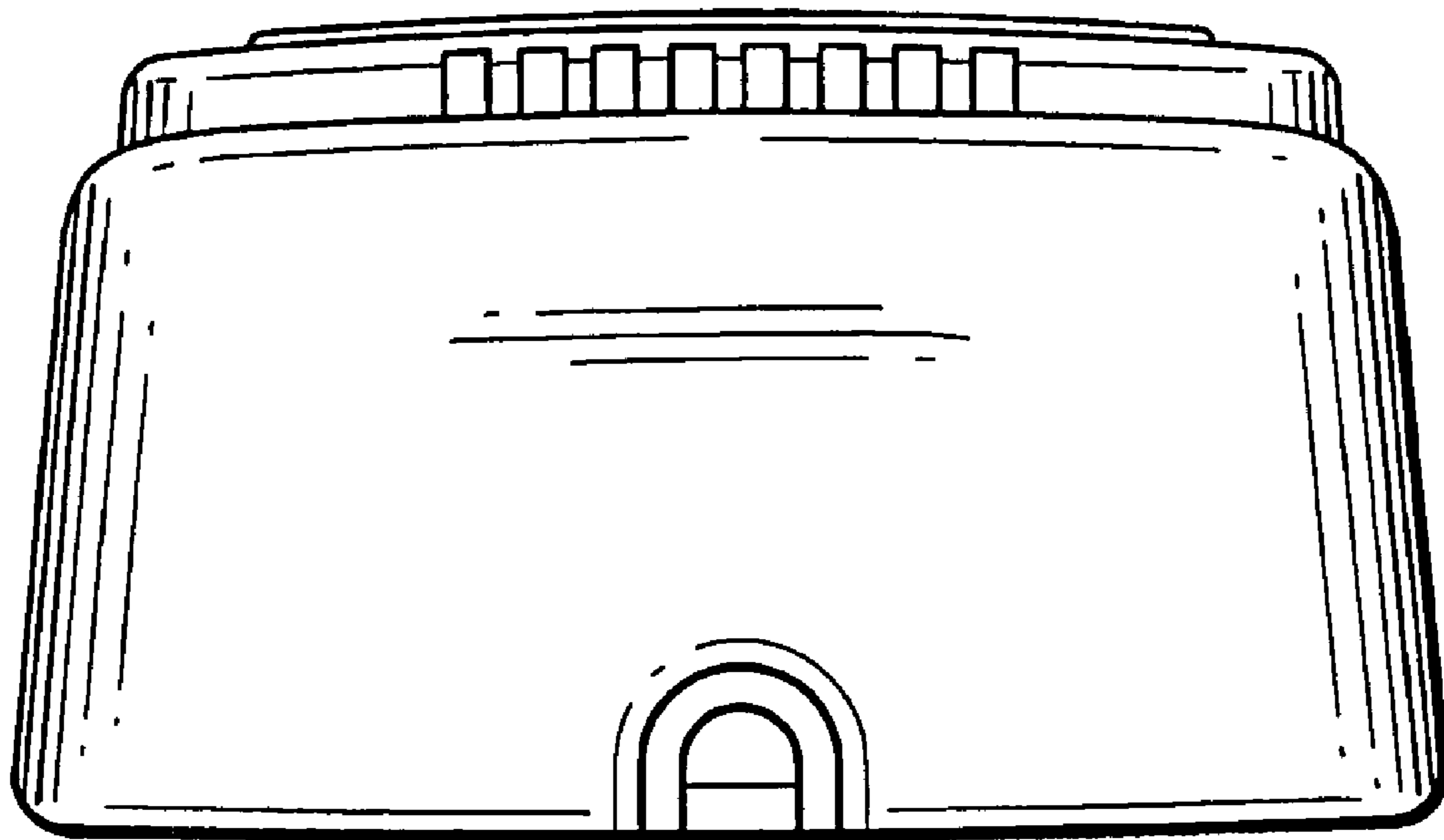


FIG. 6

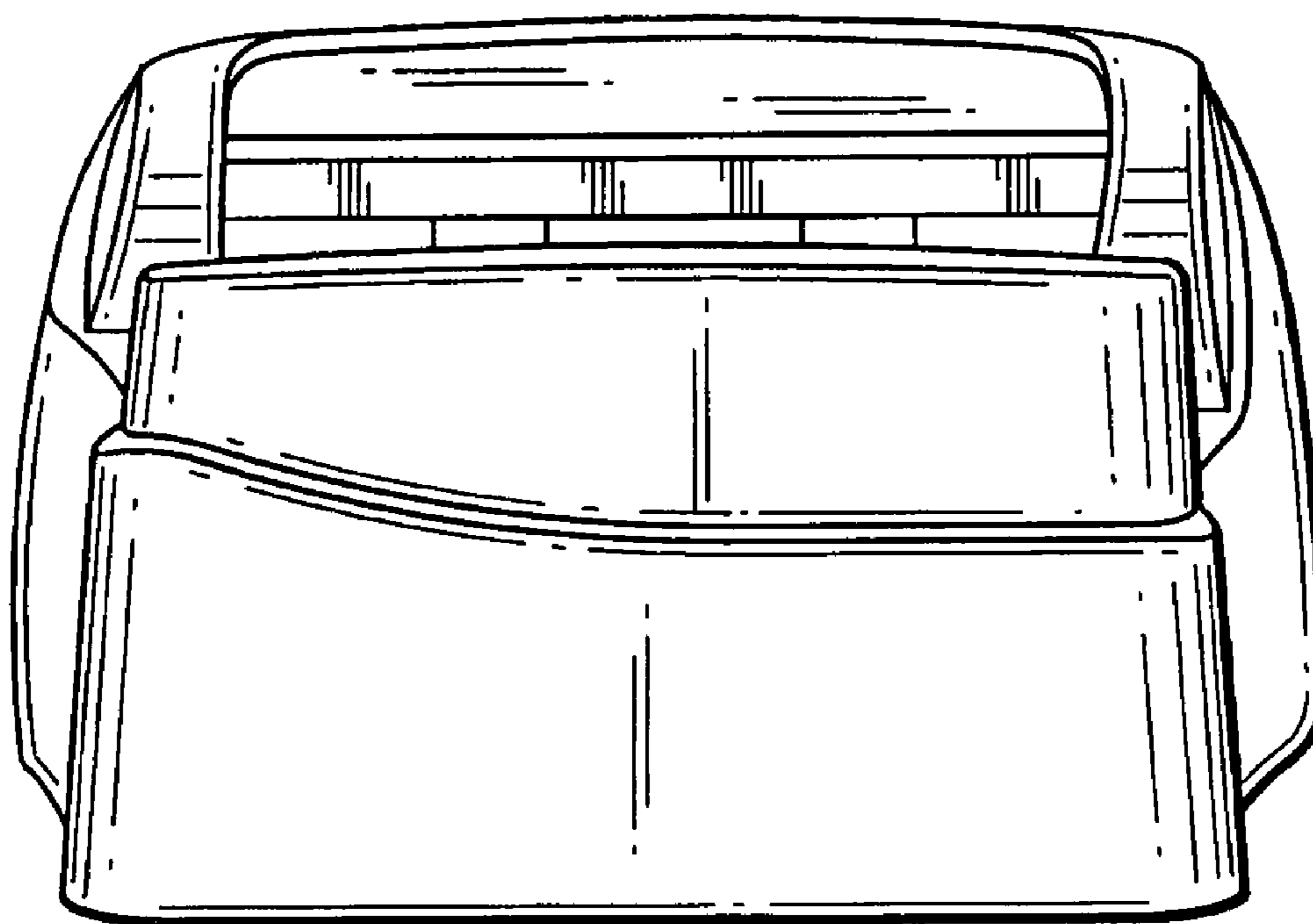


FIG. 7