

US00D563866S

(12) **United States Design Patent**  
**Bonnaud**

(10) **Patent No.:** **US D563,866 S**  
(45) **Date of Patent:** **\*\* Mar. 11, 2008**

(54) **SOLAR COLLECTOR**

5,058,564 A \* 10/1991 Delacretaz et al. .... 126/688  
D517,981 S \* 3/2006 Daly ..... D13/102

(75) Inventor: **Matthieu Bonnaud**, Cluses (FR)

\* cited by examiner

(73) Assignee: **Somfy SAS**, Cluses (FR)

*Primary Examiner*—Prabhakar Deshmukh

(\*\*) Term: **14 Years**

*Assistant Examiner*—Derrick Holland

(21) Appl. No.: **29/289,411**

(74) *Attorney, Agent, or Firm*—Frommer Lawrence & Haug  
LLP; Ronald R. Santucci

(22) Filed: **Jul. 19, 2007**

(57) **CLAIM**

(30) **Foreign Application Priority Data**

The ornamental design for a solar collector, as shown and described.

Jan. 23, 2007 (EP) ..... 000657234

**DESCRIPTION**

(51) **LOC (8) Cl.** ..... **13-02**

FIG. 1 is a front elevation view of a solar collector showing my new design;

(52) **U.S. Cl.** ..... **D13/102**

FIG. 2 is a right side view thereof;

(58) **Field of Classification Search** ..... D13/102,

FIG. 3 is a left side view thereof;

D13/101, 103, 184, 199; 136/206, 244–251,  
136/256, 291, 292

FIG. 4 is a bottom plan view thereof;

See application file for complete search history.

FIG. 5 is a top plan view thereof;

(56) **References Cited**

FIG. 6 is a rear view thereof; and,

**U.S. PATENT DOCUMENTS**

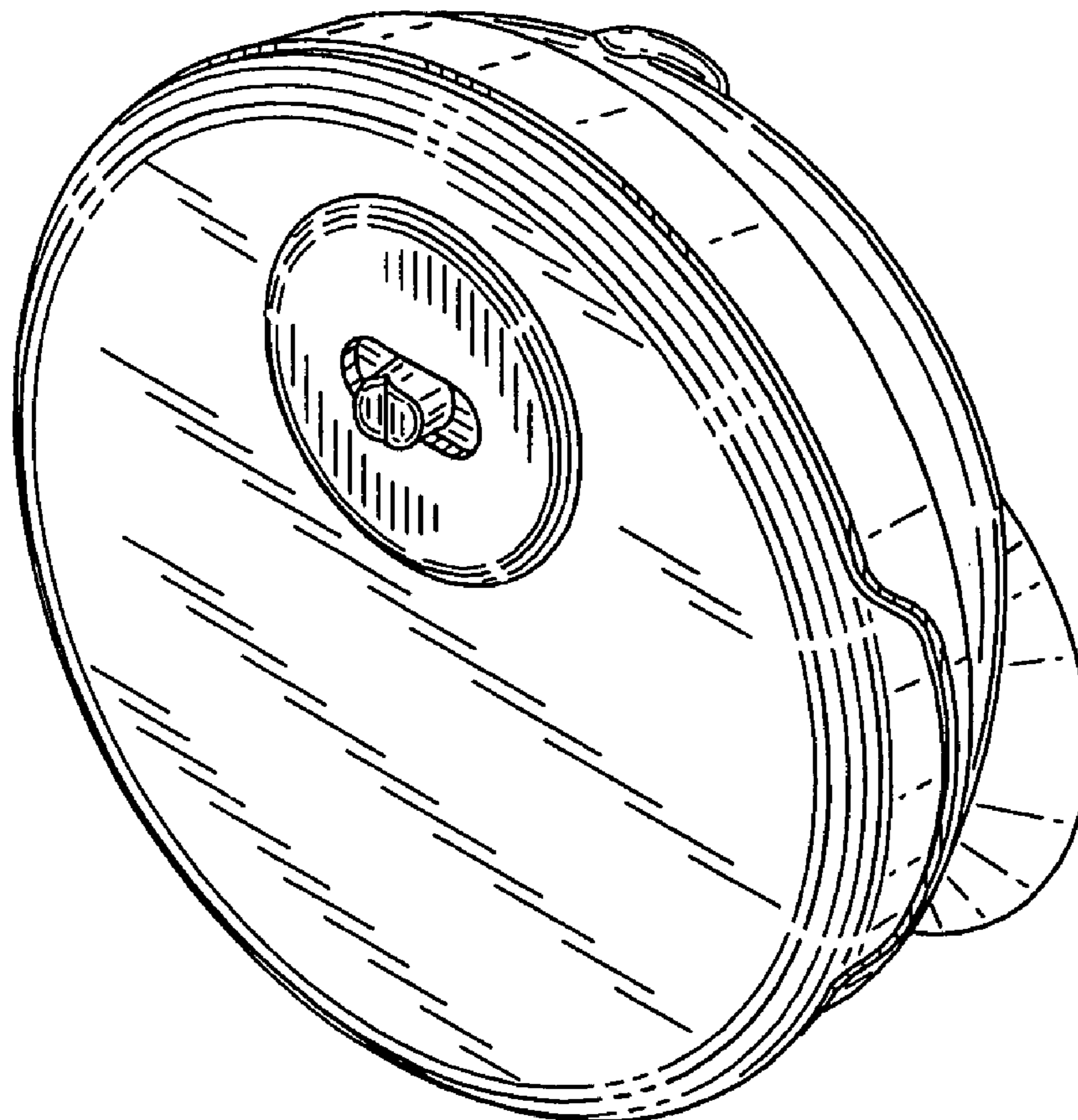
FIG. 7 is a front perspective view thereof.

4,636,579 A \* 1/1987 Hanak et al. .... 136/245

D288,593 S \* 3/1987 Campbell ..... D13/102

D311,722 S \* 10/1990 Cheng ..... D13/102

**1 Claim, 2 Drawing Sheets**



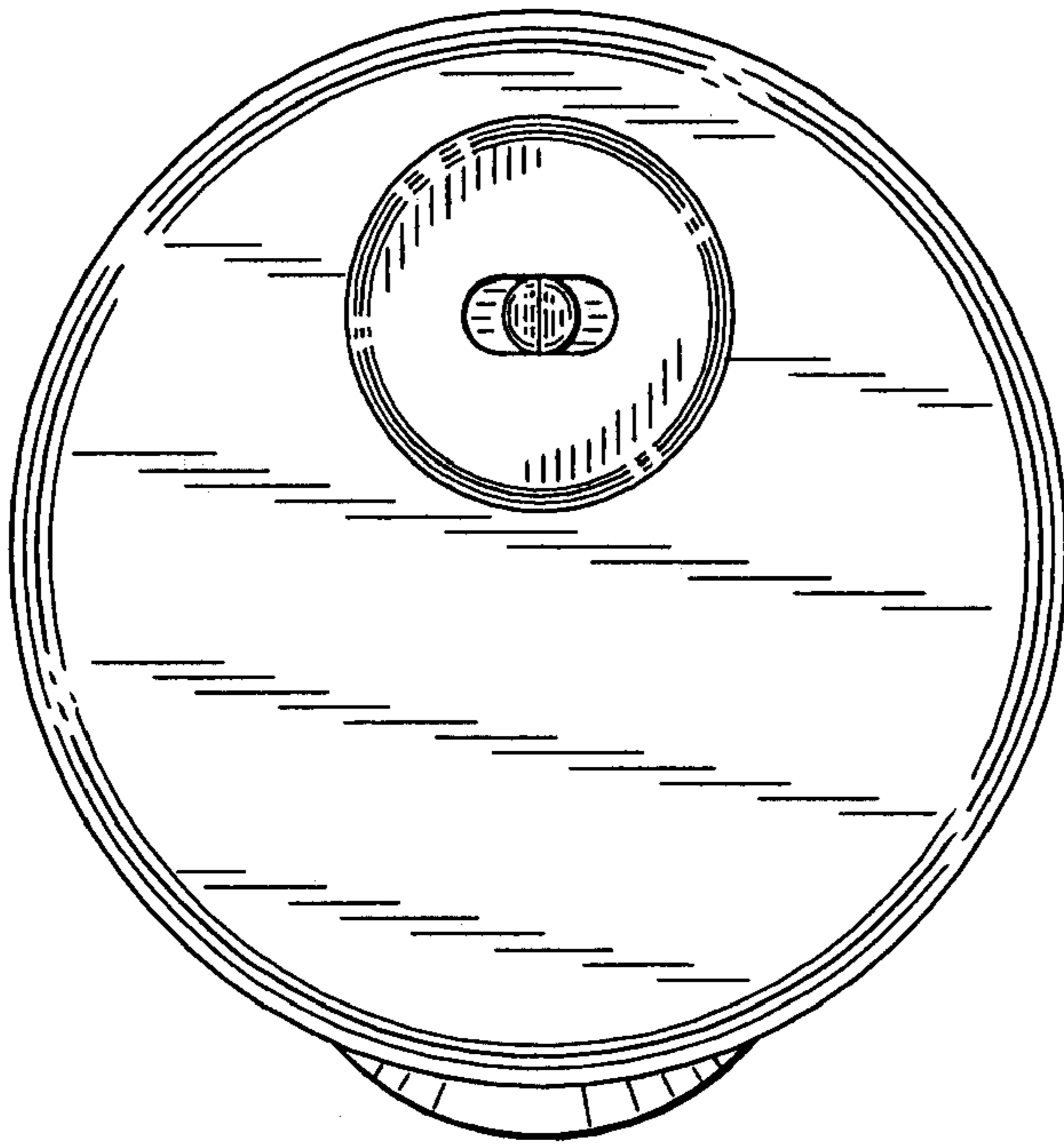


FIG. 1

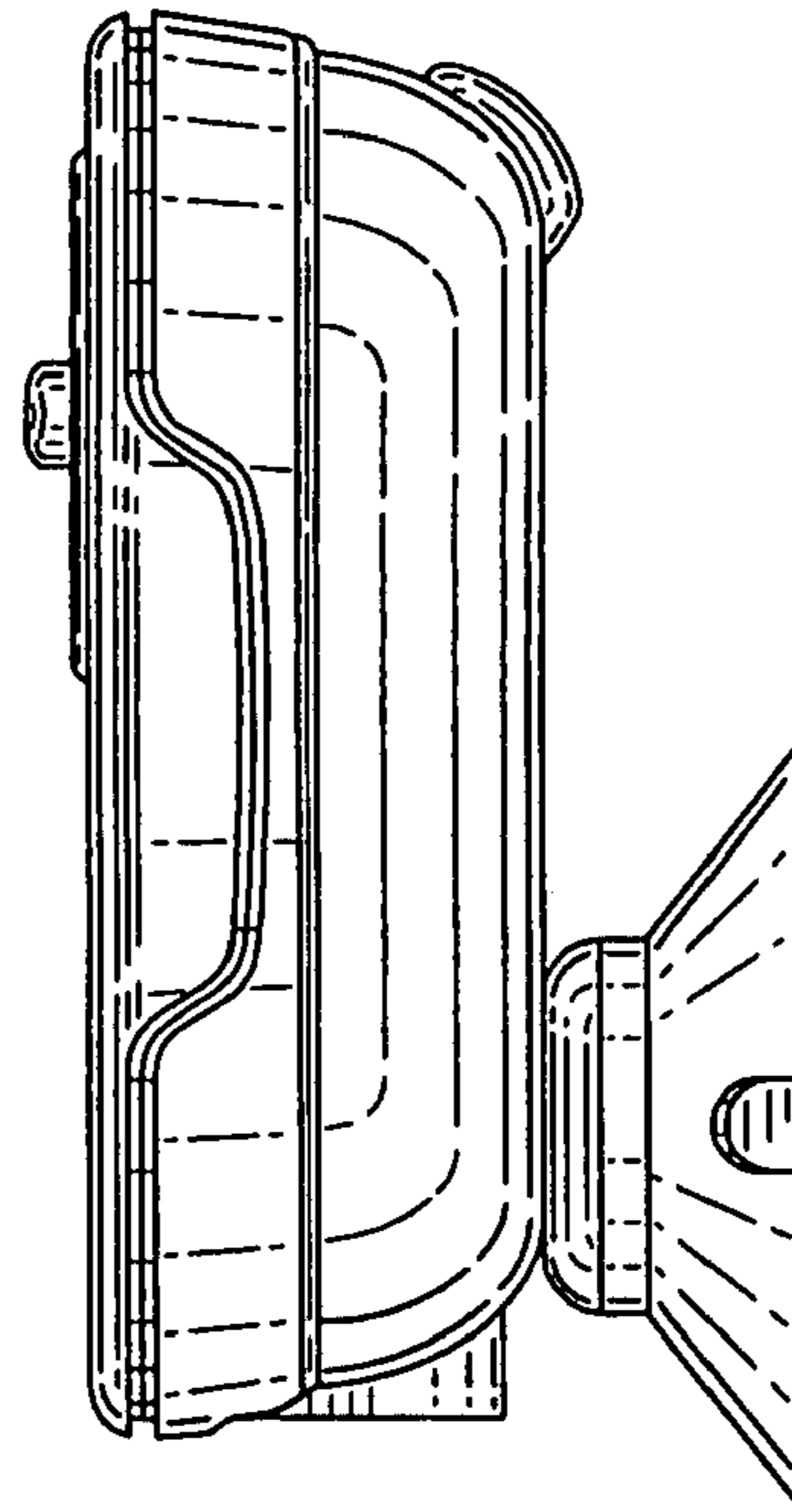


FIG. 2

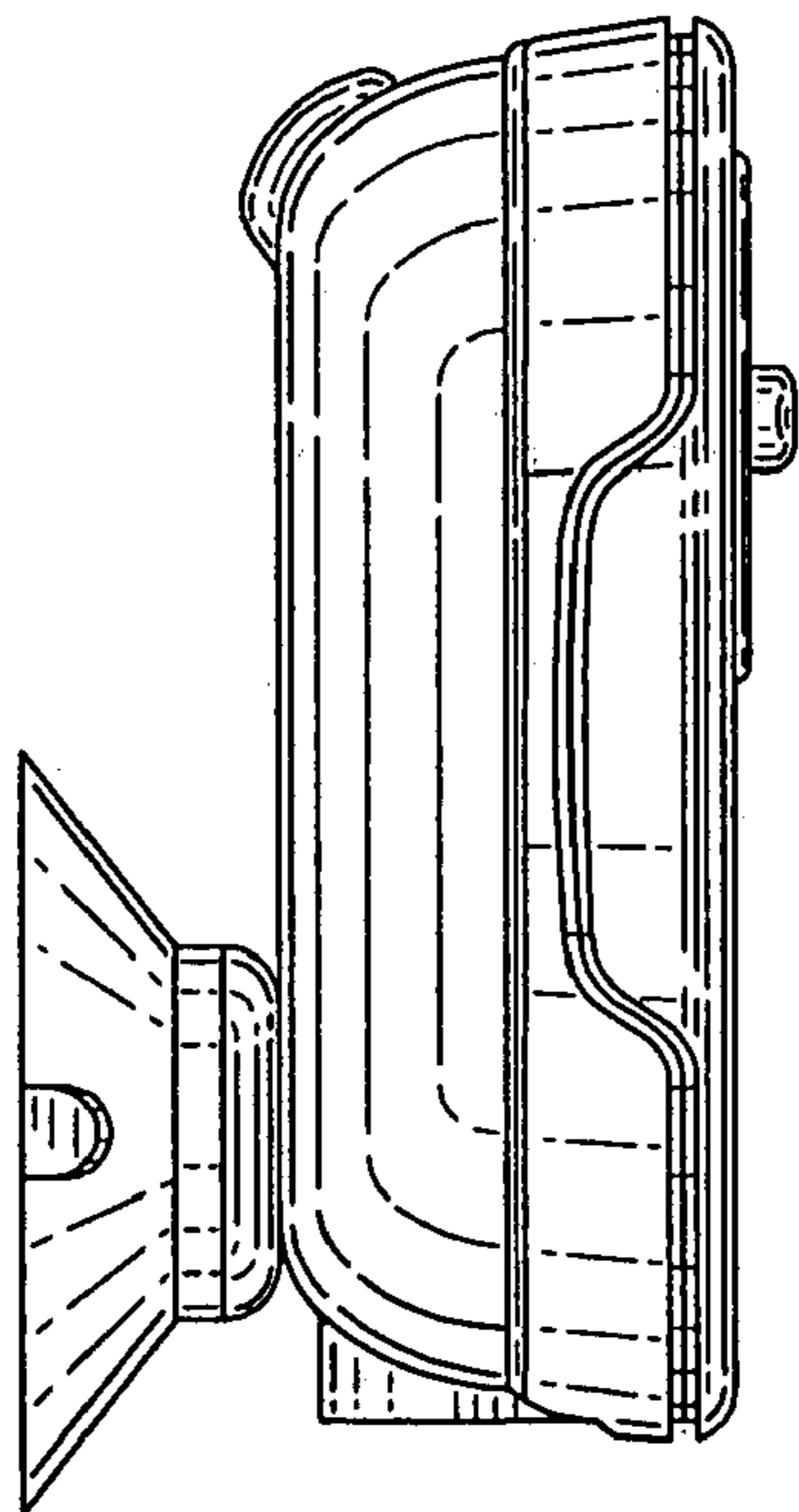


FIG. 3

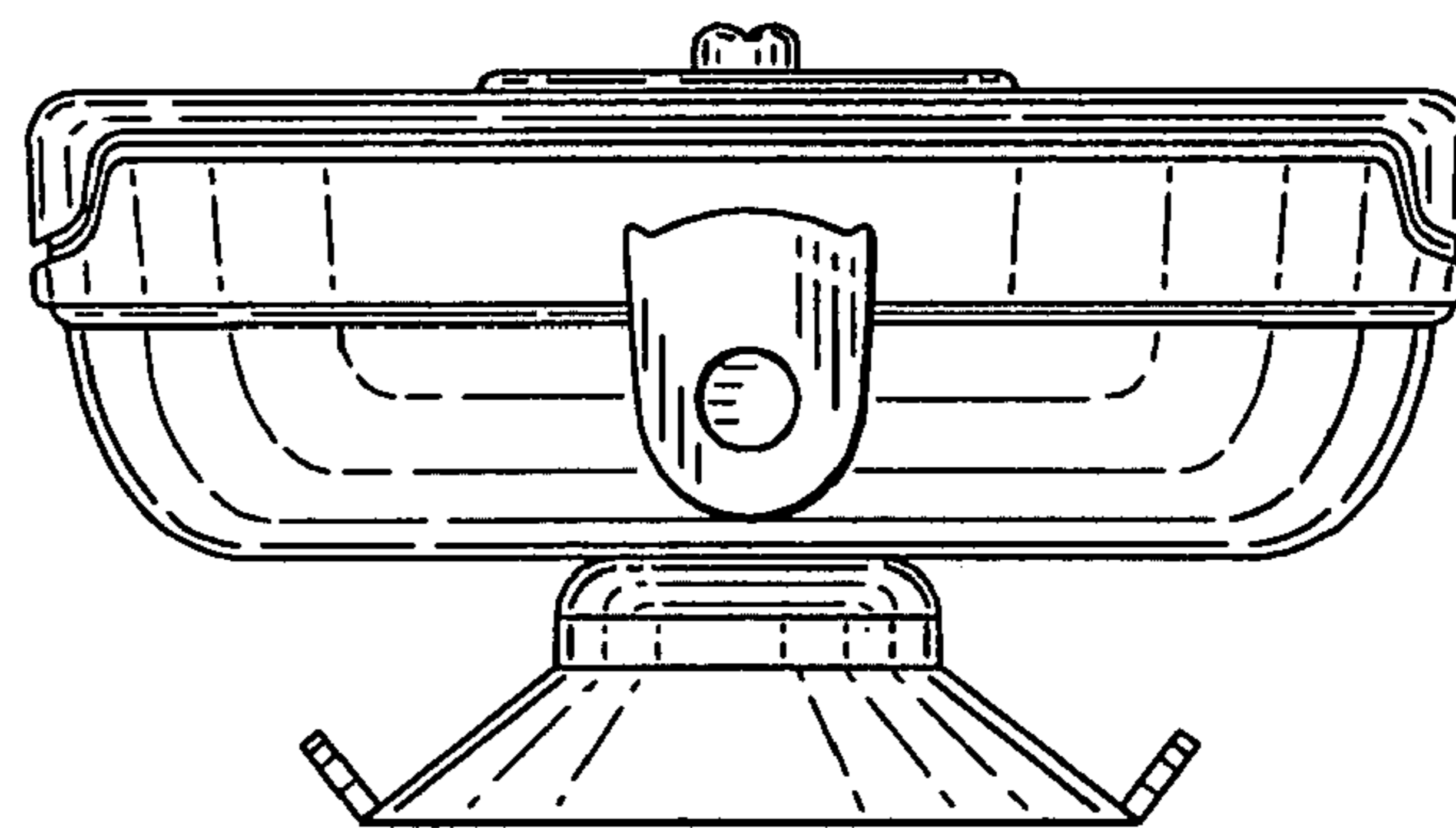


FIG. 4

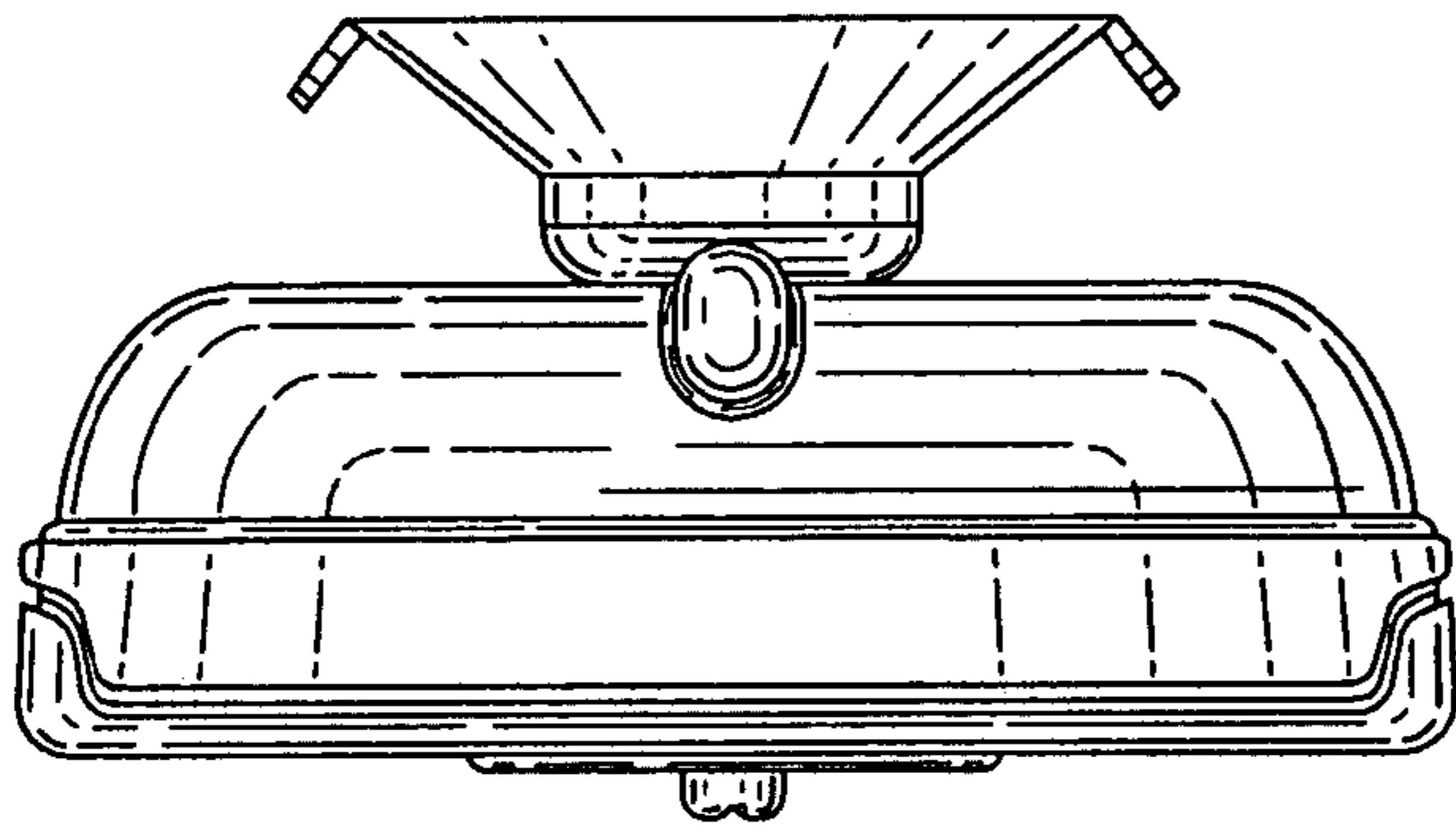


FIG. 5

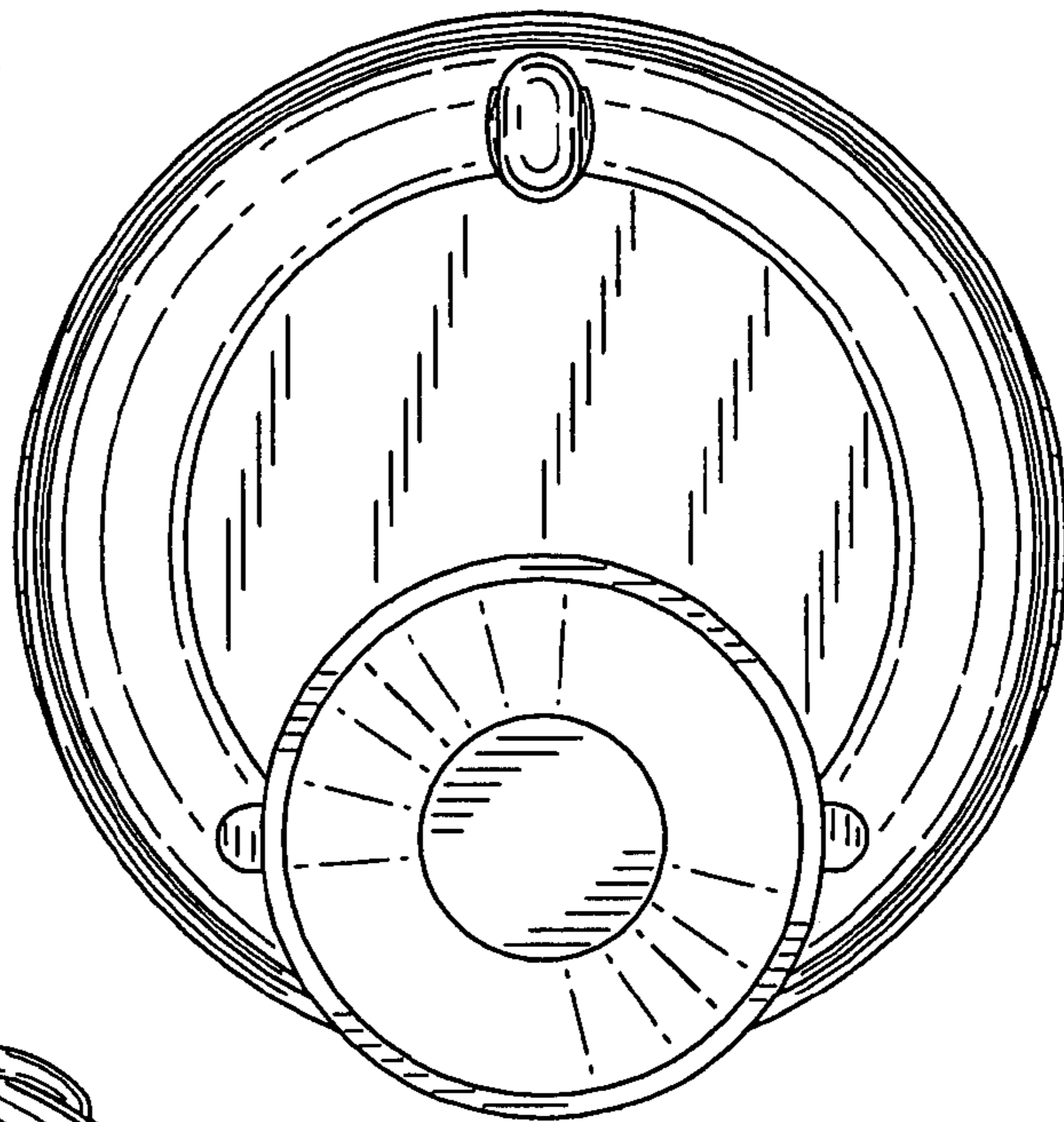


FIG. 6

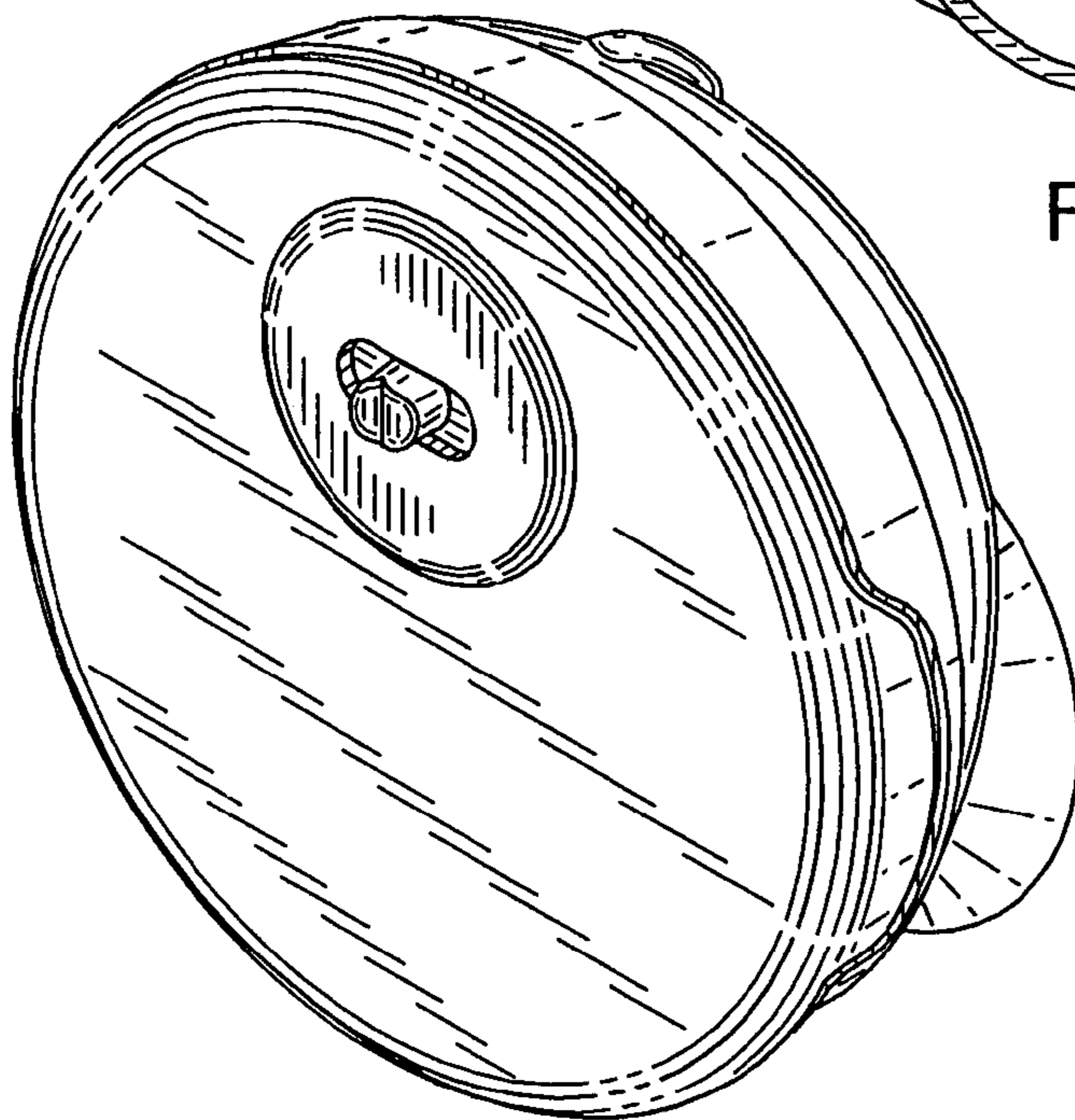


FIG. 7